



Z16C30

USC

User's Manual

UM009402-0201

Z16C30

USC



This publication is subject to replacement by a later edition. To determine whether a later edition exists, or to request copies of publications, contact:

ZiLOG Worldwide Headquarters

910 E. Hamilton Avenue

Campbell, CA 95008

Telephone: 408.558.8500

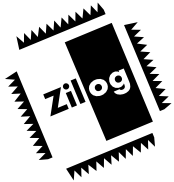
Fax: 408.558.8300

www.ZiLOG.com

Document Disclaimer

ZiLOG is a registered trademark of ZiLOG Inc. in the United States and in other countries. All other products and/or service names mentioned herein may be trademarks of the companies with which they are associated.

©2001 by ZiLOG, Inc. All rights reserved. Information in this publication concerning the devices, applications, or technology described is intended to suggest possible uses and may be superseded. ZiLOG, INC. DOES NOT ASSUME LIABILITY FOR OR PROVIDE A REPRESENTATION OF ACCURACY OF THE INFORMATION, DEVICES, OR TECHNOLOGY DESCRIBED IN THIS DOCUMENT. ZiLOG ALSO DOES NOT ASSUME LIABILITY FOR INTELLECTUAL PROPERTY INFRINGEMENT RELATED IN ANY MANNER TO USE OF INFORMATION, DEVICES, OR TECHNOLOGY DESCRIBED HEREIN OR OTHERWISE. Except with the express written approval of ZiLOG, use of information, devices, or technology as critical components of life support systems is not authorized. No licenses are conveyed, implicitly or otherwise, by this document under any intellectual property rights.



Z16C30 USC[®] USER'S MANUAL

Thank you for your interest in Zilog's high-speed Integrated Universal Serial Controller. To aid the designer, the following support material is available when designing a High Performance Serial Communication application based on Zilog's USC.

Z16C30 User's Manual

Zilog's USC[®] User's Manual is a comprehensive breakdown of the functions and features of the USC which will aid in the development of your application. A good place to start is the **Overview** section at the beginning of the manual, which provides a short description of each feature

and chapter. Then any chapter can be reviewed in more detail as necessary. This User's Manual provides in-depth descriptions of all functions and features of the USC as well as supporting block diagrams, timing diagrams, and sample applications.

Z16C30 Product Specification

The USC[®] Product Specification is a good resource to help determine which of Zilog's High Performance Serial Controllers to use. This document provides an in-depth description of the USC, including descriptions of features, block diagrams, pin assignments, pin descriptions, register bit functions, and AC and DC specifications. This

specification can be found in the High Speed Serial Communication Controllers Databook, DC-8314-01, which also includes a product specification on the Z16C30 USC as well as related Application Notes, support products, and a list of third party support vendors.

Application Notes

The following Application Notes are useful in demonstrating how the USC can be used in different applications.

Design a Serial Board to Handle Multiple Protocols

This Application Note details an approach to handling multiple serial communication protocols using Zilog's Z16C30 USC. This document is included in the High Speed SCC Databook, DC-8314-01 mentioned above.

The Zilog Datacom Family with the 80186 CPU

This Application Note, DC-2560-03, explains and illustrates how Zilog's datacom family interfaces and communicates with the 80186 on an evaluation board.

Demonstration/Evaluation Boards

By selecting the board that most closely resembles your desired application, you may be able to use parts of the design in your implementation. These boards can be used as software platforms while the application hardware is being developed.

Z8018600ZCO - This kit contains an assembled circuit board, software, and documentation to support the evaluation and development of code for Zilog's Z16C30 USC, Z16C32 IUSC, Z85C30 SCC, Z85230 ESCC, and Z16C35

ISCC. The purpose of the board is to illustrate how the datacom family interfaces and communicates with the 80186 CPU. This will help potential customers evaluate Zilog's datacommunications with the 80186 CPU. A board-resident monitor program allows code to be downloaded and executed. A specification on this product is included in the High Speed Serial Communication Controllers Databook, DC-8314-01 mentioned above.

Demonstration/Evaluation Boards (Continued)

Z16C3001ZCO - This kit contains an assembled PC/XT/AT circuit board with two high-speed serial connections, DB9 and DB25 connectors selectively driven by RS-232 or RS422 line drivers.

The kit also contains software and documentation to support software and hardware development for Zilog's USC.

The board illustrates the use of Zilog's USC in communications applications such as ASYNC, SDLC/HDLC and high-speed ASYNC. (Please refer to the Product Specification Databook for a detailed description.)

© 1997 by Zilog, Inc. All rights reserved. No part of this document may be copied or reproduced in any form or by any means without the prior written consent of Zilog, Inc. The information in this document is subject to change without notice. Devices sold by Zilog, Inc. are covered by warranty and patent indemnification provisions appearing in Zilog, Inc. Terms and Conditions of Sale only. Zilog, Inc. makes no warranty, express, statutory, implied or by description, regarding the information set forth herein or regarding the freedom of the described devices from intellectual property infringement. Zilog, Inc. makes no warranty of merchantability or fitness for any purpose. Zilog, Inc. shall not be responsible for any errors that may appear in this document. Zilog, Inc. makes no commitment to update or keep current the information contained in this document.

Zilog's products are not authorized for use as critical components in life support devices or systems unless a specific written agreement pertaining to such intended use is executed between the customer and Zilog prior to use. Life support devices or systems are those which are intended for surgical implantation into the body, or which sustains life whose failure to perform, when properly used in accordance with instructions for use provided in the labeling, can be reasonably expected to result in significant injury to the user.

Zilog, Inc. 210 East Hacienda Ave.
Campbell, CA 95008-6600
Telephone (408) 370-8000
Telex 910-338-7621
FAX 408 370-8056
Internet: <http://www.zilog.com>



Z16C30 USC[®] USER'S MANUAL

TABLE OF CONTENTS

CHAPTER TITLE AND SUBSECTIONS	PAGE
Chapter 1 Introduction	
1.1 Introduction	1-1
1.2 Features	1-1
1.3 Logic Symbol	1-2
1.4 Packaging	1-3
1.5 Overview of the USC and this Manual	1-4
1.5.1 Bus Interfacing	1-4
1.5.2 Serial Interfacing	1-4
1.5.3 Serial Modes and Protocols	1-4
1.5.4 DMA Operation	1-4
1.5.5 Interrupts	1-4
1.5.6 Software Summary	1-4
1.6 Device Structure	1-12
1.6.1 The Transmit Data Path	1-12
1.6.2 The Receive Data Path	1-12
1.6.3 Clocking	1-12
1.6.4 Interrupts	1-12
1.7 Document Structure	1-13
Chapter 2 Bus Interfacing	
2.1 Introduction	2-1
2.2 Multiplexed/Non-Multiplexed Operation	2-1
2.3 Read/Write Data Strokes	2-3
2.4 Bus Width	2-4
2.5 ACK vs. WAIT Handshaking	2-4
2.6 Pin Descriptions	2-5
2.7 Pull-up Resistors and Unused Pins	2-7
2.8 The Bus Configuration Register (BCR)	2-7
2.8.1 WAIT vs. Ready Selection	2-7
2.8.2 Bits and Fields in the BCR	2-7
2.9 Register Addressing	2-8
2.9.1 Implicit Data Register Addressing	2-8
2.9.2 Direct Register Addressing on AD13-AD8	2-8
2.9.3 Direct Register Addressing on AD6-AD0/7-1	2-9
2.9.4 Indirect Register Addressing in the CCAR	2-9
2.9.5 About the Register Address Tables	2-10
2.9.6 Serial Data Registers TDR & RDR	2-14
2.9.7 Byte Ordering	2-14
2.9.8 Register Read & Write Cycles	2-14

CHAPTER TITLE AND SUBSECTIONS	PAGE
Chapter 3 A Sample Introduction	
3.1 Introduction	3-1
Chapter 4 Serial Interfacing	
4.1 Introduction	4-1
4.2 Serial Interface Pin Descriptions	4-1
4.3 Transmit and Receive Clocking	4-2
4.3.1 CTR0 and CTR1	4-2
4.3.2 The Baud Rate Generators	4-2
4.3.3 Introduction to the DPLL	4-5
4.3.4 TxCLK and RxCLK Selection	4-5
4.3.5 Clocking for Asynchronous Mode	4-6
4.3.6 Synchronous Clocking	4-6
4.3.7 Stopping the Clocks	4-6
4.4 Data Formats and Encoding	4-7
4.5 More About the DPLL	4-8
4.6 The RxD and TxD Pins	4-10
4.7 Edge Detection and Interrupts	4-11
4.8 The /DCD Pin	4-13
4.9 The /CTS Pin	4-15
4.10 The /RxC and /TxC Pins	4-16
4.11 The /RxReq and /TxReq Pins	4-17
4.12 The /RxACK and /TxACK Pins	4-17
Chapter 5 Serial Modes and Protocols	
5.1 Introduction	5-1
5.2 Asynchronous Modes	5-1
5.3 Character Oriented Synchronous Modes	5-3
5.4 Bit Oriented Synchronous Modes	5-4
5.5 The Mode Registers (CMR, TMR & RMR)	5-5
5.5.1 Enabling and Disabling the Receiver and Transmitter	5-7
5.5.2 Character Length	5-7
5.5.3 Parity, CRC, Serial Encoding	5-8
5.6 Asynchronous Mode	5-9
5.6.1 Break Conditions	5-10
5.7 Isochronous Mode	5-10
5.8 Nine-Bit Mode	5-11
5.9 External Sync Mode	5-12
5.10 Monosync and Bisync Modes	5-12
5.11 Transparent Bisync Mode	5-14
5.12 Slaved Monosync Mode	5-15
5.13 IEEE 802.3 (Ethernet) Mode	5-16
5.14 HDLC/SDLC Mode	5-18
5.14.1 Received Address and Control Field Handling	5-18
5.14.2 Frame Length Residuals	5-20
5.14.3 Handling a Received Abort	5-20

CHAPTER TITLE AND SUBSECTIONS	PAGE
5.15 HDLC/SDLC Loop Mode	5-21
5.16 Cyclic Redundancy Checking	5-22
5.17 Parity Checking	5-25
5.18 Status Reporting	5-26
5.18.1 Detailed Status in the TCSR	5-28
5.18.2 Detailed Status in the RCSR	5-29
5.19 DMA Support Features	5-31
5.19.1 The Character Counters	5-31
5.19.2 The RCC FIFO	5-35
5.19.3 Transmit Control Blocks	5-36
5.19.4 Receive Status Blocks	5-38
5.19.5 Finding the End of a Received Frame	5-39
5.20 Commands	5-40
5.21 Resetting a USC Channel	5-44
5.22 The Data Registers and the FIFO's	5-45
5.22.1 Accessing the TDR & RDR	5-45
5.22.2 Tx FIFO and Rx FIFO Operation	5-45
5.22.3 Fill Levels	5-46
5.22.4 DMA & Interrupt Request Levels	5-46
5.23 Handling Overruns & Underruns	5-47
5.23.1 Tx Underruns	5-47
5.23.2 Rx Overruns	5-47
5.23.3 Rx Overrun Scribbling	5-48
5.23.4 Fill Level Correctness & Extra Bytes	5-48
5.24 Between Frames, Messages, or Characters	5-49
5.24.1 Synchronous Transmission	5-49
5.24.2 Async Transmission	5-49
5.24.3 Synchronous Reception	5-51
5.25 Synchronizing Frames/Messages with Software Response	5-51
 Chapter 6 Direct Memory Access (DMA) Interfacing	
6.1 Introduction	6-1
6.2 Flyby vs. Flowthrough DMA Operation	6-1
6.3 DMA Requests by the Receiver & Transmitter	6-6
6.3.1 Programming the DMA Request Levels	6-7
6.4 DMA Acknowledge Signals	6-8
6.5 Separating Received Frames in Memory	6-8

CHAPTER TITLE AND SUBSECTIONS	PAGE
Chapter 7 Interrupts	
7.1 Introduction	7-1
7.2 Interrupt Acknowledge Daisy-Chains	7-1
7.3 External Interrupt Control Logic	7-2
7.4 Using /RxReq and /TxReq as Interrupt Requests	7-3
7.5 Interrupt Types & Sources	7-4
7.6 Internal Interrupt Operation	7-6
7.7 Details of the Model	7-8
7.8 Interrupt Option in the BCR	7-9
7.9 Interrupt Acknowledge Cycles	7-9
7.10 Interrupt Acknowledge vs. Read Cycles	7-14
7.11 Interrupt Types	7-14
7.11.1 Receive Status Interrupt Sources and IA Bits	7-14
7.11.2 Receive Data Interrupts	7-15
7.11.3 Transmit Status Interrupt Sources and IA Bits	7-18
7.11.4 Transmit Data Interrupts	7-19
7.11.5 I/O Pin Interrupt Sources and IA Bits	7-20
7.11.6 Miscellaneous Interrupt Sources and IA Bits	7-20
7.12 Interrupt Pending and Under Service Bits	7-21
7.13 Interrupt Enable Bits	7-22
7.14 Channel Interrupt Options	7-22
7.15 Interrupt Vectors	7-23
7.16 Software Requirements	7-24
7.16.1 Nested Interrupts	7-24
7.16.2 Which Type(s) to Handle?	7-24
7.16.3 Handling a Type	7-25
7.16.4 Exiting the ISR	7-27
Chapter 8 Software Summary	
8.1 Introduction	8-1
8.2 About Resetting	8-1
8.3 Programming Order	8-2
8.4 Using DMA to Initialize a Channel	8-2
8.5 Determining the Device Revision Level	8-3
8.6 Tips & Techniques	8-3
8.6.1 Common Hardware Problems	8-3
8.6.2 Common Software Problems	8-3
8.7 Test Modes	8-6
8.8 Register Reference	8-10
8.8.1 Register Addresses	8-10
8.8.2 Conditions/Context	8-10
8.8.3 Description	8-10
8.8.4 RW Status	8-10

CHAPTER TITLE AND SUBSECTIONS	PAGE
Appendix A Appendix Changes	
A.1 Introduction	A-1
A.1.1 Transmit Status Blocks/Transmit Control Blocks	A-1
A.1.2 Interrupt Enable (for Individual Sources) Interrupt Arm	A-1
A.2 Commands	A-1
A.2.1 Reload RCC/TCC	
Load RCC/TCC	A-1
A.2.2 Select Straight/Swapped Memory	A-1
A.2.3 Preset CRC Clear Tx/Rx CRC Generator	A-1
A.3 Bit/Field Names	A-1
Appendix B	
Questions and Answers	B-1

FIGURE TITLES	PAGE
Chapter 1	
Figure 1-1. USC Logic Symbol	1-2
Figure 1-2. USC 68-pin PLCC Pinout	1-3
Figure 1-3. USC Block Diagram	1-11
Chapter 2	
Figure 2-1. Simple Multiplexed System	2-1
Figure 2-2. Simple Interface to Non-Multiplexed Bus	2-2
Figure 2-3. User-Friendly Interface to Non-Multiplexed Bus	2-2
Figure 2-4. /RD & /WR Signaling	2-3
Figure 2-5. R/W and /DS Signaling	2-3
Figure 2-6. A Fast and Slow Cycle with Three Kinds of Handshaking	2-5
Figure 2-7. The USC's Bus Configuration Register (BCR)	2-7
Figure 2-8. The Channel Command/Address Register (CCAR)	2-10
Figure 2-9. USC Register Addressing	2-11
Figure 2-10. A Register Read Cycle with Multiplexed Addresses and Data	2-15
Figure 2-11. A Register Write Cycle with Multiplexed Addresses and Data	2-16
Figure 2-12. A Register Read Cycle with Non-Multiplexed Data Lines	2-17
Figure 2-13. A Register Write Cycle with Non-Multiplexed Data Lines	2-18
Chapter 3	
Figure 3-1. Sample Application	3-2
Figure 3-2. Serial Interface for Sample Application	3-3
Chapter 4	
Figure 4-1. A Model of a USC Channel's Clocking Logic	4-3
Figure 4-2. The Clock Mode Control Register (CMCR)	4-4
Figure 4-3. The Hardware Configuration Register (HCR)	4-4
Figure 4-4. Data Formats/Encoding	4-7
Figure 4-5. The Channel Command/Status Register (CCSR)	4-9
Figure 4-6. The Input/Output Control Register (IOCR)	4-10
Figure 4-7. The Status Interrupt Control Register (SICR)	4-12
Figure 4-8. The Miscellaneous Interrupt Status Register (MISR)	4-12
Figure 4-9. /DCD Auto-Enable Timing	4-14
Figure 4-10. /CTS Auto-Enable Timing	4-15

FIGURE TITLES**PAGE****Chapter 5**

Figure 5-1.	Asynchronous Data	5-2
Figure 5-2.	Character Oriented Synchronous Data	5-2
Figure 5-3.	HDLC/SDLC Data	5-4
Figure 5-4.	The Channel Mode Register (CMR)	5-6
Figure 5-5.	The Transmit Mode Register (TMR)	5-6
Figure 5-6.	The Receive Mode Register (RMR)	5-6
Figure 5-7.	Carrier Detection for a Received Ethernet Frame	5-16
Figure 5-8.	The Channel Command/Status Register (CCSR)	5-21
Figure 5-9.	A Model of the Receive Datapath.....	5-24
Figure 5-10.	How a USC Channel Provides the "Queued" Status Bits in the RCSR.	5-27
Figure 5-11.	The Transmit Command/Status Register (TCSR)	5-28
Figure 5-12.	The Receive Command/Status Register (RCSR)	5-29
Figure 5-13.	A Model of the Transmit Character Counter Feature	5-33
Figure 5-14.	A Model of the Receive Character Counter Feature	5-34
Figure 5-15.	The Channel Command/Status Register (CCSR)	5-37
Figure 5-16.	The Channel Control Register (CCR)	5-37
Figure 5-17.	A 32-Bit Transmit Control Block in a DMA Buffer	5-37
Figure 5-18.	A 32-Bit Receive Status Block in a DMA Buffer	5-38
Figure 5-19.	The Channel Command/Address Register (CCAR)	5-41

Chapter 6

Figure 6-1.	Flowthrough DMA Transfer Memory to Peripheral Device	6-2
Figure 6-2.	Flowthrough DMA Transfer, Peripheral Device to Memory	6-3
Figure 6-3.	Flyby DMA Transfer, Memory to Peripheral Device	6-4
Figure 6-4.	*Flyby DMA Transfer, Peripheral Device to Memory	6-5

FIGURE TITLES**PAGE****Chapter 7**

Figure 7-1.	An Interrupt Daisy Chain	7-2
Figure 7-2.	External Interrupt Control	7-3
Figure 7-3.	USC Interrupt Types & Sources	7-5
Figure 7-4.	A Model of the Interrupt Logic for Source "s" and type "t"	7-7
Figure 7-5.	An Interrupt Acknowledge Cycle Signaled by /SITACK,	7-10
Figure 7-6.	An Interrupt Acknowledge Cycle Signaled by /SITACK,	7-11
Figure 7-7.	A /PITACK Interrupt Acknowledge Cycle with 2PulseIACK=0	7-12
Figure 7-8.	A /PITACK Interrupt Acknowledge Cycle with 2PulseIACK=1	7-13
Figure 7-9.	The Receive Command/Status Register (RCSR)	7-15
Figure 7-10.	The Receive Interrupt Control Register (RICR)	7-15
Figure 7-11.	A Sample Service Routine for Receive Data Interrupts	7-17
Figure 7-12.	The Transmit Command/Status Register (TCSR)	7-18
Figure 7-13.	The Transmit Interrupt Control Register (TICR)	7-18
Figure 7-14.	The Status Interrupt Control Register (SICR)	7-19
Figure 7-15.	The Miscellaneous Interrupt Status Register (MISR)	7-19
Figure 7-16.	The Daisy-Chain Control Register (DCCR)	7-22
Figure 7-17.	The Interrupt Control Register (ICR)	7-22
Figure 7-18.	The Interrupt Vector Register (IVR)	7-24

Chapter 8

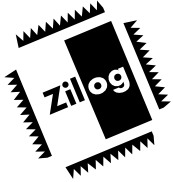
Figure 8-1.	Test Mode Data Register with TMCR 4-0=00101 (Clock Mux Outputs) ...	8-7
Figure 8-2.	Test Mode Data Register with TMCR 4-0=00111 (Clock Mux Inputs)	8-8
Figure 8-3.	Test Mode Data Register with TMCR 4-0=01110 (I/O and Misc Status) ..	8-9

TABLE TITLES	PAGE
Chapter 1	
Table 1-1. Bus Interfacing Features of the USC	1-5
Table 1-2. Serial Interfacing Features of the USC	1-6
Table 1-3. Serial Controller Features of the USC	1-7
Table 1-4. More Serial Controller Features of the USC	1-8
Table 1-5. DMA Features of the USC	1-9
Table 1-6. Interrupt Features of the USC	1-10
Chapter 2	
Table 2-1. USC Registers, in Address Order	2-12
Table 2-2. USC Registers, in Alphabetical Order	2-13

© 1997 by Zilog, Inc. All rights reserved. No part of this document may be copied or reproduced in any form or by any means without the prior written consent of Zilog, Inc. The information in this document is subject to change without notice. Devices sold by Zilog, Inc. are covered by warranty and patent indemnification provisions appearing in Zilog, Inc. Terms and Conditions of Sale only. Zilog, Inc. makes no warranty, express, statutory, implied or by description, regarding the information set forth herein or regarding the freedom of the described devices from intellectual property infringement. Zilog, Inc. makes no warranty of merchantability or fitness for any purpose. Zilog, Inc. shall not be responsible for any errors that may appear in this document. Zilog, Inc. makes no commitment to update or keep current the information contained in this document.

Zilog's products are not authorized for use as critical components in life support devices or systems unless a specific written agreement pertaining to such intended use is executed between the customer and Zilog prior to use. Life support devices or systems are those which are intended for surgical implantation into the body, or which sustains life whose failure to perform, when properly used in accordance with instructions for use provided in the labeling, can be reasonably expected to result in significant injury to the user.

Zilog, Inc. 210 East Hacienda Ave.
Campbell, CA 95008-6600
Telephone (408) 370-8000
Telex 910-338-7621
FAX 408 370-8056
Internet: <http://www.zilog.com>



CHAPTER 1

INTRODUCTION

1.1 INTRODUCTION

The Universal Serial Controller (USC[®]) is the next-generation successor to Zilog's popular SCC family of multi-protocol serial controllers, and is recommended for new designs. Compared to the SCC family and most competing devices, the USC features more serial protocols, a 16- or 8-bit data bus, higher data rates, larger FIFOs, better support for DMA operation, and more convenient software

handling. The USC can handle higher data rates because it takes its timing reference from the software-selected receive and transmit clocks and the host bus control signals, rather than from a separate "bus clock" or "master clock".

1.2 FEATURES

- Two Full-Duplex Multi-Protocol Serial Controllers
- Supports External DMA Channels with two Request and two Acknowledge Lines
- Serial Data Rates to 10 Mbits/Second
- 32-Character Transmit and Receive FIFOs for each Channel
- 8- or 16-Bit Transfers for both Serial Data and Registers
- Flexible Adaptation to Various System Buses
- Serial Modes Include Asynchronous, Bisync, SDLC, HDLC, Ethernet, and Nine-Bit
- Two Baud Rate Generators per Channel
- Digital Phase Locked Loop for each Channel
- Carrier Detect, Clear to Send, and Two Serial Clock pins for each Channel
- Transmit and Receive Frame-Length Counters for each Channel
- Async Features Include False-Start Filtering, Stop Bit Length Programmable by 1/16-bit steps, Parity Generation/Checking, Break Generation/Detection
- HDLC/SDLC Features Include 8-Bit Address Checking, Extended Address Support, 16/32 bit CRC, Programmable Idle State, Auto Preamble Option, Loop Mode
- Sync Features Include 2 to 16-Bit Sync Pattern, Sync Strip Option, 16/32-bit CRC, Programmable Idle State, Auto Preamble Option, X.21 XMIT/RCV Slaving
- Improved Bus/Serial Interlocks Prevent extra Rx DMA Characters and Ensure Correct FIFO Fill Level Reporting
- Flexible Interrupt Modes Including Interrupt Acknowledge Daisy Chain
- High-Speed, Low Power CMOS Technology
- 68-Pin PLCC

1.3 LOGIC SYMBOL

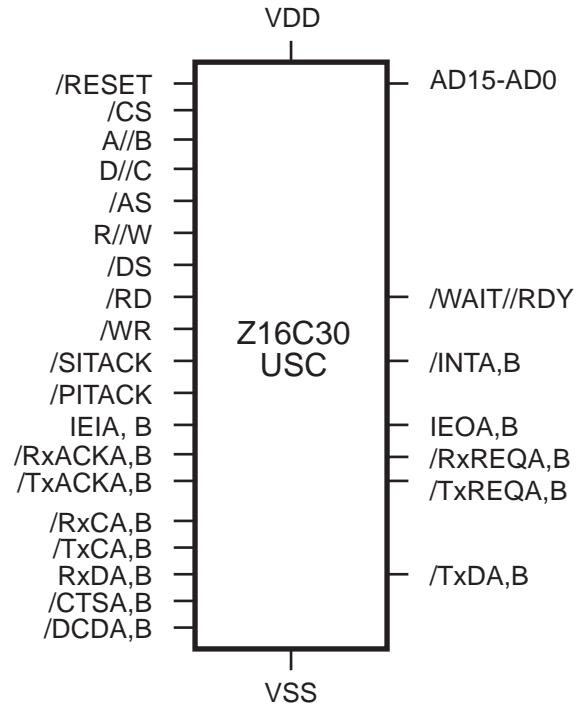


Figure 1-1. USC Logic Symbol

1.4 PACKAGING

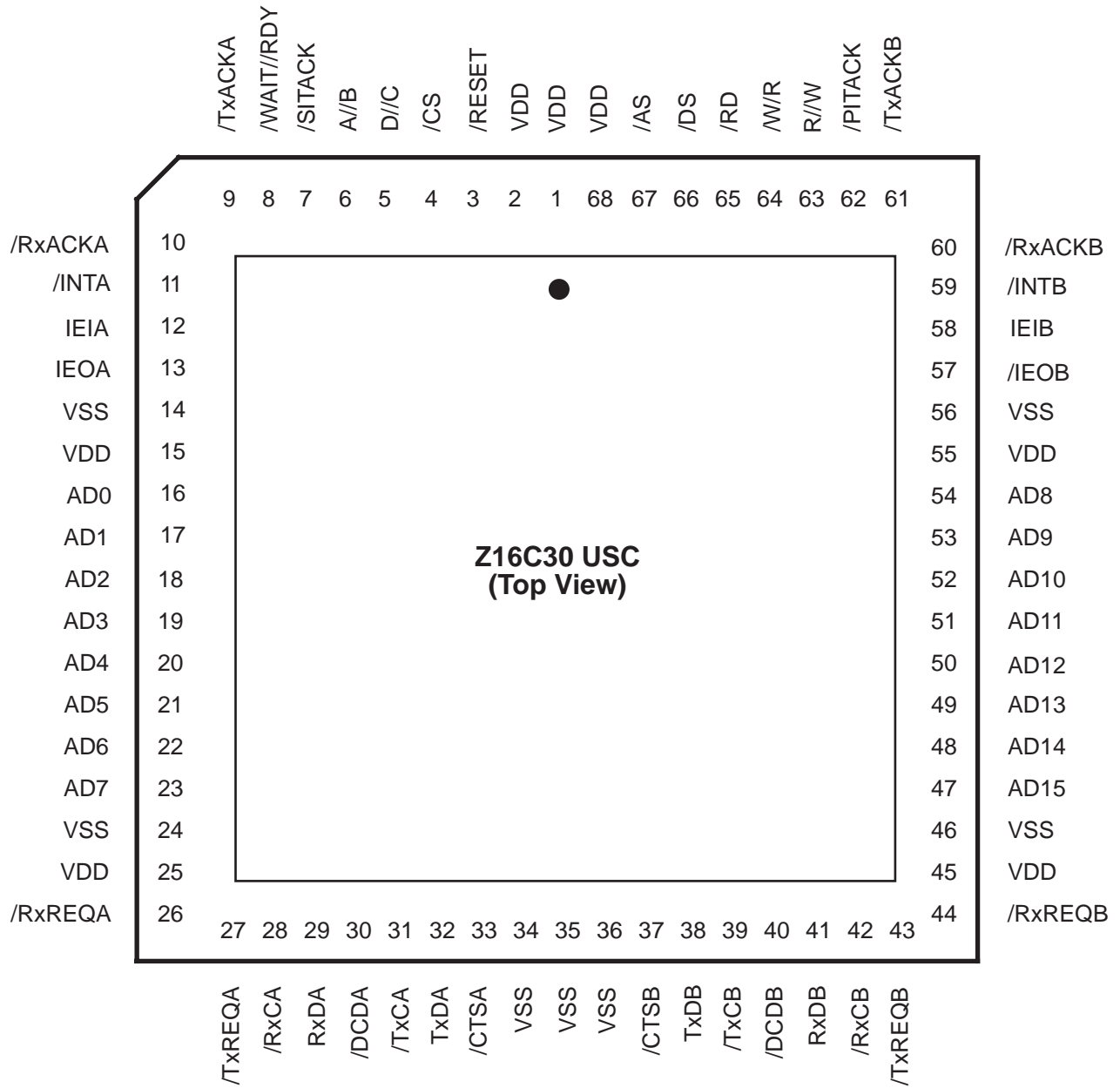


Figure 1-2. USC® 68-Pin PLCC Pinout

1.5 OVERVIEW OF THE USC AND THIS MANUAL

The following descriptions and Tables should be helpful in initial evaluation of the USC® and in finding your way around this document. Subjects in the Tables are arranged in the same order they are covered in Chapters 2 and 4-8.

1.5.1 Bus Interfacing

Chapter 2 describes interfacing the USC to a processor or backplane bus. The USC includes several flexible interfacing options as described in Table 1-1. Some of these options are controlled by the Bus Configuration Register (BCR), which is implicitly the destination of the first write to the USC after a Reset, and is then no longer accessible to software.

1.5.2 Serial Interfacing

Chapter 4 covers Serial Interfacing, the “other side” of hardware design from Bus Interfacing. Table 1-2 summarizes the Serial Interfacing features of the USC, which include Clock Selection, Baud Rate Generation, serial data Encoding and Decoding, a Digital Phase Locked Loop for reconstructing clocking from received data, and “modem control” pins.

1.5.3 Serial Modes and Protocols

Chapter 5 covers how to program the Transmitter and Receiver to handle many different protocols and applica-

tions. This Chapter focuses on software aspects of using the USC while Chapter 4 is more hardware-oriented. Tables 1-3 and 1-4 show the major subjects that you can find in Chapter 5.

1.5.4 DMA Operation

Chapter 6 describes how to use the USC with DMA channels, and is outlined in Table 1-5.

1.5.5 Interrupts

While Chapters 4-6 mention which conditions and events can be enabled/armed to interrupt the processor, Chapter 7 pulls together all aspects of the USC's extensive interrupt capabilities, including interrupt acknowledge cycles, vectors, and use of Interrupt Under Service bits to implement nested interrupts. Table 1-6 summarizes the subject.

1.5.6 Software Summary

Chapter 8 contains only a small amount of new material: a few software-related matters that didn't seem to fit in anywhere else. The bulk of the Chapter is the Register Reference tables that summarize the use and function of each bit and field in each register in the USC.

Table 1-1 Bus Interfacing Features of the USC (Chapter 2)

Multiplexed or Separate Address and Data Bus(es)	can be selected for processor access to USC registers.
Read/Write Control Signals	Separate Read and Write strobes, or Data strobe and Direction control can be used. Only one set of signals should be connected to the host processor; the other should be pulled up.
8- or 16-Bit Data Bus	DMA efficiency and bandwidth are doubled by using a 16-bit bus, and software size and tediousness is improved as well. With an 8-bit data bus and non-multiplexed Address and Data, the bus pins that would otherwise be unused can be used for register addressing from the processor.
Ready, Wait, or Acknowledge Handshaking	can be selected for processor cycles. If Wait signalling is selected, the USC drives Wait for interrupt acknowledge cycles but not for register accesses — its 60 nanosecond register access time is fast enough for no-Wait operation in almost all applications. If Acknowledge signaling is selected, the part drives the Acknowledge line for both interrupt acknowledge cycles and register accesses.
Interrupt Acknowledge Cycles	Separate inputs are provided for “Status line” vs. “pulse” signalling. In the latter case single-pulse or double-pulse cycles can be selected. The USC can also be used on buses that don't include Interrupt Acknowledge cycles.
Direct or Indirect Register Addressing	The board designer can conserve the address space occupied by the USC by requiring software to write register addresses into the USC, or can maximize software efficiency by presenting register addresses directly. On a non-multiplexed 16-bit data bus, the latter choice requires external components/logic to multiplex the low-order bits of the address onto the AD pins.
Registers	There are 32 16-bit registers in each channel of the USC, including three selectable subregisters in the MSbyte of two of them.
Big- or Little-Ending Byte Ordering	Motorola or Intel style addressing can be selected for serial data. Byte addressing within the USC's 16-bit registers is inherently Little-Endian/Intel style.

1.5.6 Software Summary (Continued)

Table 1-2. Serial Interfacing Features of the USC (Chapter 4)

Clock Selection	Clocking for the Transmitter and Receiver can come from the /RxC or /TxC pins, and can be used directly or can be divided by 4, 8, 16, or 32 by Counters 0 and 1, and/or by any value from 1 to 65,536 by Baud Rate Generators 0 and 1. Or, clocking can come from the Digital Phase Locked Loop (DPLL) module, which tracks transitions on the RxD pin.
Clock Output	Clocking can also be driven out on the /TxC or /RxC pin for use by on-board logic, a modem or other interface.
CTR0, CTR1	These two 5-bit free-running counters can each divide /RxC or /TxC by 4, 8, 16, or 32. They can provide the Transmit or Receive bit clocks directly, or can act as “prescalers” for the Baud Rate Generators.
Baud Rate Generators	BRG0 and BRG1 are 16-bit counters, each of which can divide /RxC, /TxC, or the output of CTR0 or CTR1 by any value from 1 to 65,536. They can source the Transmit or Receive bit clocks, act as the reference clock for the DPLL, or can be used as timers on either a polled or interrupt-driven basis. They can be stopped and started by software, and can run continuously or stop when they reach zero. Their period (time constant) values can be reprogrammed dynamically, effective immediately or when the BRG counts down to zero.
Digital-Phase Locked Loop	The DPLL can divide /RxC, /TxC, or the output of BRG0 or BRG1 by 8, 16, or 32, while resynchronizing to transitions on RxD, to recover a Receive clock from the Receive data signal. This can be done only when the received data stream includes enough transitions to keep the recovered clock synchronized to the data. NRZI-Space encoding of HDLC/SDLC frames, or Biphase (FM) encoding with any protocol, guarantees such data transitions.
Data Encoding	The USC can encode transmitted data and decode received data in NRZI-Mark, NRZI-Space, Biphase-Mark (FM1), Biphase-Space (FM0), Biphase-Level (Manchester), or Differential-Biphase-Level modes. These encodings are used in various applications to maintain synchronization between transmitting and receiving equipment.
Echoing and Looping	Received data can be repeated onto TxD, or transmit data can be looped back to the Receiver for testing.
Modem Controls and Interrupts	Carrier Detect and Clear to Send inputs can auto-enable the Receiver and Transmitter, respectively. Rising and/or falling edges on these pins can cause interrupts, as can edges on the Transmit and Receive Clock pins (if they're not used for clocking), and/or the Transmit and Receive Request pins if they're not used for DMA requests.
DMA Controller Interface	Each channel of the USC provides Tx and Rx Request outputs for connection to a DMA controller, and Tx and Rx Acknowledge inputs for “flyby” (single-cycle) DMA operation. The Acknowledge pins can be used for other purposes if “flowthrough” (two-cycle) DMA controller is employed. Both Request and Acknowledge pins can be used for other purposes if no DMA controller is used.

Table 1-3. Serial Controller Features of the USC

Major Protocol Categories	Chapter 4 begins with a small tutorial on the differences between Asynchronous, Character-Oriented Synchronous, and Bit-Oriented Synchronous (Packet) protocols.
Asynchronous Protocols	In addition to classic Async, the USC can handle the following variations: <ul style="list-style-type: none"> ■ Isochronous (1X rather than 16-64X clock) ■ Nine-Bit (Address Wake-up — an extra bit signifies Address/Data)
Character-Oriented Synchronous Protocols	<ul style="list-style-type: none"> ■ External Sync (Receive only: simple character assembly) ■ Monosync (1-character sync pattern, no hardware framing) ■ Bisync (2-character sync pattern, no hardware framing) ■ Transparent Bisync (Bisync + hardware support for Transparency) ■ Slaved Monosync (Xmit only; X.21 Tx character alignment to Rx) ■ IEEE 802.3 (Ethernet; requires external collision detect and backoff)
Bit-Oriented Synchronous Protocols	<ul style="list-style-type: none"> ■ HDLC/SDLC ■ HDLC/SDLC Loop (RxD is repeated on TxD except when Xmit is enabled and triggered by a received Go Ahead/Abort sequence)
Character Length	is programmable from 1 bit/character to: <ul style="list-style-type: none"> ■ 8 bits including Parity, if any, in synchronous modes ■ 8 bits plus Parity, if any, in Async mode ■ 8 bits plus Parity plus the Address/Data bit in Nine-Bit mode
CRC Generation/Checking	In synchronous modes, the USC will generate and check CRC-CCITT, CRC-16, or CRC-32 codes for each frame or message. For character-oriented modes other than 802.3, software can selectively control which characters are included in the CRC, for both transmitting and reception. For HDLC/SDLC and 802.3, CRC status can be stored in memory for each received frame.
Parity Checking	Asynchronous or Synchronous modes. Odd/Even/Mark/Space/None.
Transmit Status Reporting	Optional interrupt on: Preamble Sent, Idle Sent, Abort Sent, End of Frame/Message, CRC Sent, Underrun No interrupt: All Sent, Tx Empty
Receive Status Reporting	Optional Interrupt on: Exited Hunt, Idle Received, Break, Abort (immediate or synchronized with the RxFIFO), Rx Boundary (end of frame/message), Parity Error, Overrun. No interrupt: Short Frame, Code Violation Type, CRC Error, Framing Error, Rx Character Available
Character Counters	These 16-bit counters decrement for each character received or fetched from memory for transmission. The Tx CC can control the length of Tx frames in synchronous modes using DMA. The Rx CC tracks the length of each Rx frame in synchronous modes using DMA, and optionally interrupts in case an Rx frame is too long.
RCC FIFO	A four-deep store for ending Rx Character Counter values for each frame.

Table 1-4. More Serial Controller Features of the USC

Transmit Control Blocks	A Transmit DMA channel can fetch the Tx CC frame length and other control info for each frame/message, before the frame in the memory buffer.
Receive Status Blocks	The Rx DMA channel can provide the frame status (including CRC status) for each frame/message after the frame. Optionally it can also provide the the Rx CC frame length residual, although this is only useful in Rx DMA applications in which software can read the number of bytes/words that were stored, from the DMA channel.
Commands	Software can write various command codes to 3 different register fields in each channel, to control the operation of the channel. Commands can be divided into those that select a long-term configuration of a channel (like selecting which serial character in a 16-bit word comes first), those that make the part perform a time-sequenced action (like sending an Abort sequence), and those that change the state of the part immediately (like purging a FIFO).
Software Reset	Software can reset a USC channel by writing a central register bit, similarly to a hardware-signaled Reset.
Rx and Tx FIFO Storage	32-character FIFOs stand between the Transmit Data Register and the Transmitter, and between the Receiver and the Rx Data Register. Fill level counters track how many characters are in each FIFO, and independently programmable threshold values determine when DMA operation will be triggered to fill or empty them, and/or when an interrupt will be requested.
Between Frames/Messages	In synchronous modes the Transmitter will do the following before the first data character of each frame or message, and/or after the last one: <ul style="list-style-type: none"> ■ optionally send a 8-to 64-bit Preamble for PLL synchronization or minimum inter-frame timing ■ send an "opening" sync sequence or Flag ■ After the last character from memory, sending the CRC accumulated by the USC is optional. Thus, a CRC received with a frame can be sent back out without being regenerated. ■ send a "closing" Flag or Sync ■ send a selected "idle" pattern unless/until the next frame is ready to be sent
Waiting for Software Response	Software can select 3 optional interlocks between frames, to allow it to do real-time processing on a frame-by-frame basis.

Table 1-5. DMA Features of the USC

Flowthrough or Flyby	The USC can be used with DMA controllers in a “flowthrough” mode, in which the REQ line from the USC tells the DMAC when to transfer data by means of separate accesses to the USC and to memory. Alternatively, the USC and DMA can operate in a “flyby” mode, in which there’s also an ACK line from the DMAC to tell the USC when to drive data to the memory or when to capture data from the memory. Flyby operation requires only one bus cycle per (pair of) character(s).
DMA Requests	A USC can provide separate Transmit and Receive DMA Request outputs from each of its two channels, that become active when the relevant FIFO reaches a software-selected level of emptiness or fullness, and stay active until the FIFO is filled or emptied. The Receive Request for a channel operating in a synchronous block oriented mode (e.g., HDLC) will also go active when the end of a message or frame is received.
Separating Receive Frames	Chapter 5 ends with a description of how the “Wait for Rx Trigger” feature can be used to separate received frames into individual memory buffers, by withholding the Rx DMA Request for the data in a new frame until after software has read out the length of the frame and/or programmed the DMA channel with the buffer address for the new frame.

Table 1-6. Interrupt Features of the USC

Interrupt Acknowledge Daisy Chaining	was one of Zilog's original contributions to microprocessor architecture. On the USC its use (to determine which of several interrupting devices to service first) is optional, and performance is much improved compared to older devices.
External Interrupt Control	can be used instead of a daisy chain to implement interrupt priority schemes other than strict priority, such as "fairness", rotating, or first-come first-served.
Types	of interrupts that can be selectively enabled or disabled include Receive Status, Receive Data, Transmit Status, Transmit Data, I/O Pin, and Miscellaneous.
Receive Status Interrupt	sources that can be selectively armed or disarmed include Exited Hunt, Idle Received, Break, Abort (immediate and/or synchronized to received data), End of Frame/Message, Parity Error, and RxFIFO Overrun.
Receive Data Interrupt	can occur when the RxFIFO reaches a programmed level of fullness.
Transmit Status Interrupt	sources that can be selectively armed or disarmed include Preamble Sent, Idle Sent, Abort Sent, End of Frame/Message Sent, CRC Sent, and Tx Underrun.
Transmit Data Interrupt	can occur when the TxFIFO reaches a programmed level of emptiness.
I/O Pin Interrupt	sources that can be selectively armed or disarmed include rising and/or falling edges on the /DCD, /CTS, /RxREQ, /TxREQ, /RxC, and /TxC pins.
Miscellaneous Interrupt	sources that can be selectively armed or disarmed include Rx Character Counter Underflow, DPLL Sync Loss, Baud Rate Generator 0 zero, and BRG1=0.
Nested Interrupts	are fully supported in that the USC includes an Interrupt Pending and Interrupt Under Service bit for each type of interrupt.
Interrupt Acknowledge Cycles	The USC is compatible with a wide variety of processors in that the signal that identifies an acknowledge cycle can be sampled like an address bit, or can carry a single or double pulse similar to a read or write strobe.
Interrupt Vectors	The USC can include identification of the highest priority requesting type of interrupt in the vector that it returns during an interrupt acknowledge cycle.
Non-Acknowledging Buses	Software can simulate the effects of interrupt acknowledge cycles if the USC is used on a bus that doesn't provide such cycles, like the ISA (AT) bus.

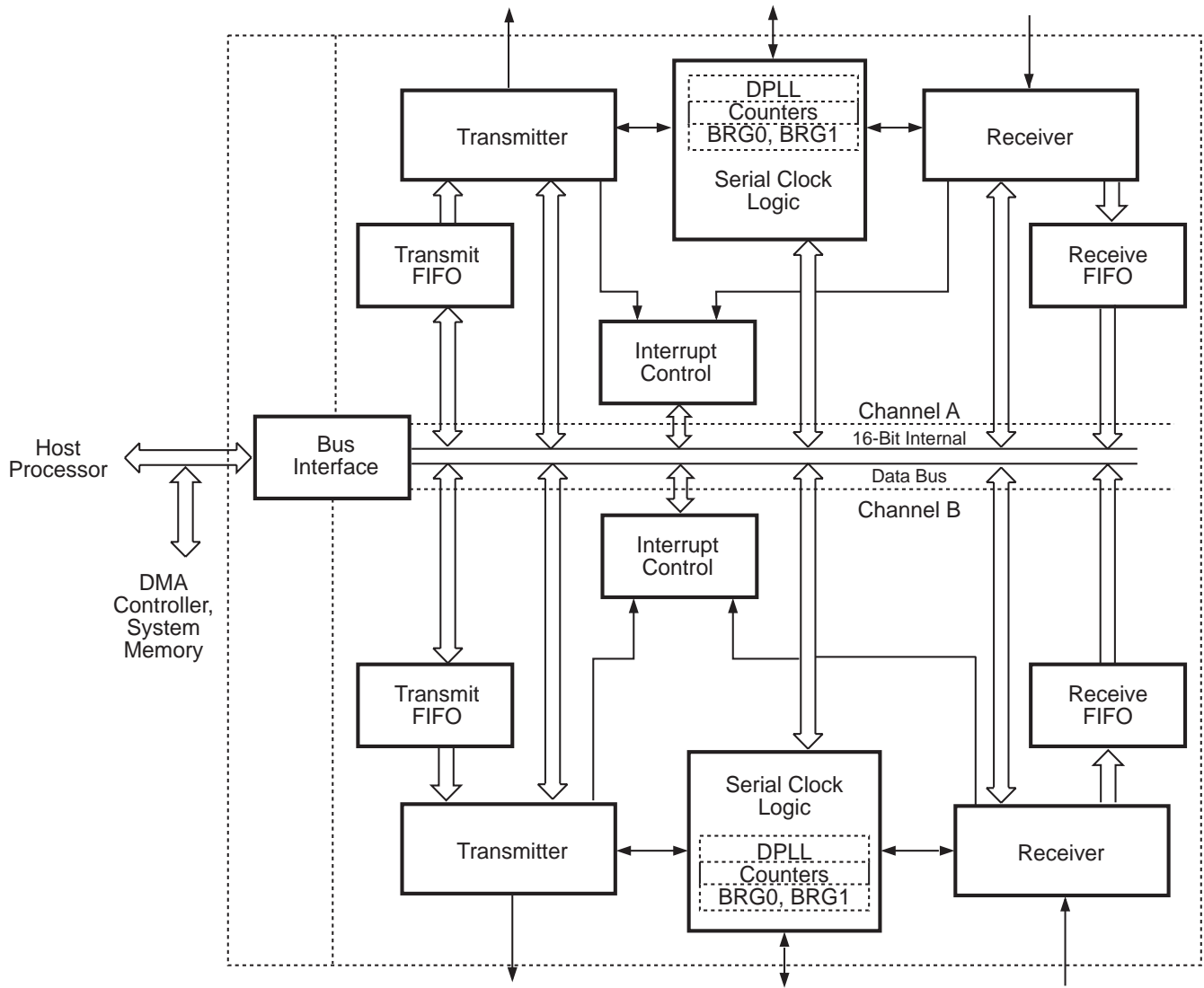


Figure 1-3. USC® Block Diagram

1.6 DEVICE STRUCTURE

Figure 1-1 shows the basic structure of the USC. The Bus Interface module stands between the external bus pins and an on-chip 16-bit data bus that interconnects the other functional modules. It includes several flexible bus interfacing options that are controlled by the Bus Configuration Register (BCR). The BCR is automatically the destination of the first write cycle from the host processor to the USC after a Reset. After that it is no longer accessible to the host software.

1.6.1 The Transmit Data Path

Either the host processor or an external DMA channel can write transmit data into a channel's Transmit First-In, First-Out (FIFO) memory. At any time, a Transmit FIFO can be empty or can contain from 1 to 32 characters to be transmitted. Characters written into the Tx FIFO become available to the Transmitter in the order in which they were written.

While the host processor can itself write data into the Transmit FIFOs, it's more efficient to use external Transmit DMA channels to fetch the data. The host can program a USC channel so that its Transmitter will trigger its DMA controller to fill its FIFO at varying degrees of FIFO "emptiness". Selecting this point involves balancing the probability and consequences of "underrunning" the transmitter, against the overhead for the DMA channel to acquire control of the host bus more often.

The serial Transmitters take characters from the Transmit FIFOs and convert them to serial data on the TxD pins. While this function is conceptually simple, the USC supports many complex serial protocols, which increases the complexity of the Transmitters dramatically. Depending on the serial mode selected, the Transmitters may do any of the following in addition to parallel-serial conversion: start, stop, and parity bit generation, calculating and sending CRCs, automatic generation of opening and closing flags, encoding the serial data into any of several formats that guarantee transitions and carry clocking with the data, and/or controlling transmission based on the CTS pin.

1.6.2 The Receive Data Path

In general, the functions of the Receivers are the inverse of those of the Transmitters: they monitor the serial data on the RxD pin, organize it according to the serial mode selected by the software, and convert the data to parallel characters that they place in the Receive FIFOs. Again, there is more to the process than just serial-parallel conversion. Depending on the serial mode the Receivers may

have to detect and synchronize start bits, check parity and stop bits, calculate and check CRCs, detect flag, abort and idle sequences, recognize control characters including transparency considerations, decode the serial data and clock extraction using any of several encoding schemes, and/or enable and disable reception based on the DCD input pin. The Receivers' checking functions generate several status bits associated with each character, that accompany the characters through the Receive FIFOs.

The Receive FIFOs can hold up to 32 characters and their associated status bits. As the receivers write entries into their FIFOs, the entries become available to either the host processor or external Receive DMA channels. As on the transmit side, the Receive FIFOs include detection logic for various degrees of "fullness". Separate thresholds control the point at which a channel starts requesting its DMA channel starts to refill its FIFO, and at which a channel requests an interrupt. Besides the main Receive FIFOs, each channel has a 4-entry RCC FIFO that can hold values indicating the length of up to four received frames.

While the host processor can access data from the Receive FIFOs, it's more efficient to use external Receive DMA channels to transfer the data directly into buffer areas in memory. The USC can provide the status (and optionally the RCC value at the end) of each frame in the serial data stream, after the last character of the frame.

1.6.3 Clocking

Each channel includes a Serial Clocking Logic section that creates the clocking signals for the channel's Transmitter and Receiver. Software can program the clocking logic to do this in various ways based on one or two external clock(s) for each channel. Each channel also includes a Digital Phase Locked Loop (DPLL) circuit that can recover clocking from encoded data on RxD.

1.6.4 Interrupts

There's also an Interrupt Control section in each channel, that gathers the various "request" lines from the Transmitter and Receiver, and takes care of requesting host interrupts and responding to host interrupt-acknowledge cycles or to software equivalents. Interrupt operation depends on the data written to the Bus Configuration Register and on several registers in the Receiver and Transmitter. There are a separate set of interrupt pins for each channel so that external logic can control their relative priority.

1.7 DOCUMENT STRUCTURE

The Chapters in this manual attempt to provide the first-time reader with a staged and gradual introduction to the USC. The manual is structured according to the USC's major internal blocks and various aspects of their operation, rather than as a list and description of each of its registers. The various registers and fields are covered in conjunction with the facilities that they report on and control. Chapter 8 then reviews the general programming model and includes a concise description of each register bit and field for quick reference.

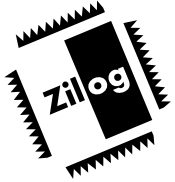
The actual timing parameters and electrical specifications of the IUSC are given in the companion publication 'USC Product Specification'.

We at Zilog hope that this newly structured manual will make the USC more easily understandable and accessible. Naturally, it's impossible to write at the right level for all readers; newcomers will find some parts hard going, while experts will undoubtedly tire of full explanations of matters that "everyone knows". Our target audience is neither newcomers nor experts, but midway between: working engineers with some datacom background.

© 1997 by Zilog, Inc. All rights reserved. No part of this document may be copied or reproduced in any form or by any means without the prior written consent of Zilog, Inc. The information in this document is subject to change without notice. Devices sold by Zilog, Inc. are covered by warranty and patent indemnification provisions appearing in Zilog, Inc. Terms and Conditions of Sale only. Zilog, Inc. makes no warranty, express, statutory, implied or by description, regarding the information set forth herein or regarding the freedom of the described devices from intellectual property infringement. Zilog, Inc. makes no warranty of merchantability or fitness for any purpose. Zilog, Inc. shall not be responsible for any errors that may appear in this document. Zilog, Inc. makes no commitment to update or keep current the information contained in this document.

Zilog's products are not authorized for use as critical components in life support devices or systems unless a specific written agreement pertaining to such intended use is executed between the customer and Zilog prior to use. Life support devices or systems are those which are intended for surgical implantation into the body, or which sustains life whose failure to perform, when properly used in accordance with instructions for use provided in the labeling, can be reasonably expected to result in significant injury to the user.

Zilog, Inc. 210 East Hacienda Ave.
Campbell, CA 95008-6600
Telephone (408) 370-8000
Telex 910-338-7621
FAX 408 370-8056
Internet: <http://www.zilog.com>



CHAPTER 2

BUS INTERFACING

2.1 INTRODUCTION

The USC[®] can be used in systems with various microprocessor or backplane buses. Its flexibility with respect to host bus interfacing derives from its Bus Configuration Register (BCR), from on-chip logic that monitors bus

activity before software writes the BCR, and from certain other registers in the serial channels. This section describes how to use these facilities to interface the USC to a variety of host microprocessors and buses.

2.2 MULTIPLEXED/NON-MULTIPLEXED OPERATION

One important distinction among buses is whether they include separate sets of lines for addresses and for data, or whether the same set of lines carries multiplexed addresses and data. On a multiplexed bus, the USC captures addressing at rising edges on /AS. If this signaling is the

same as that used on the host bus (as with a Zilog 16C0x), then the USC's /AS pin can be directly connected to the corresponding bus signal. Figure 2-1 shows such a system.

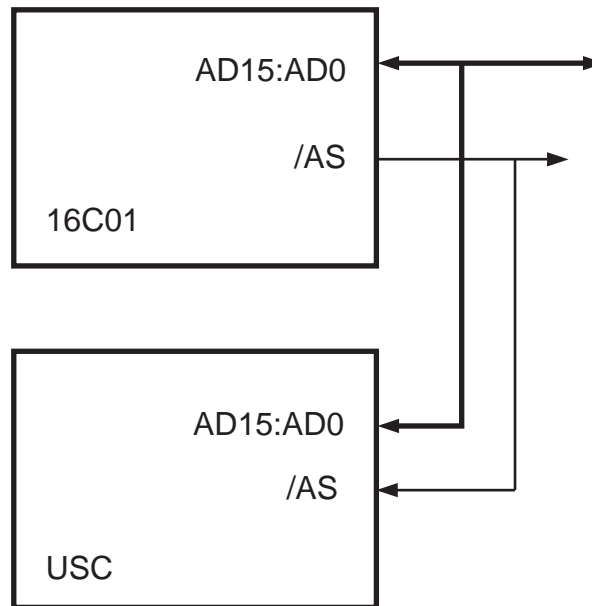


Figure 2-1. Simple Multiplexed System

2.2 MULTIPLEXED/NON-MULTIPLEXED OPERATION (Continued)

An 80x86-based system differs only in that the processor's ALE signal has to be inverted to produce /AS for the USC.

Figures 2-2 and 2-3 illustrate two ways to interface the USC to a non-multiplexed host bus. Figure 2-2 includes minimum hardware but requires that software write the register address into the USC each time it is going to access a register. In this mode the USC's /AS pin should be pulled up to ensure a constant high logic level. Figure 2-3 includes drivers to sequence the low-order bits of the host address onto the USC's AD lines, and logic to synthesize a pulse on the /AS pin. This interfacing method has the advantage that software can directly address the USC's registers.

The USC monitors the /AS pin from the time the /RESET pin goes high until the software writes the Bus Configuration Register. If it sees /AS go low at any point in this period, then after the software writes the BCR, the USC captures the state of the low-order AD lines, A//B, C//D, and /CS, at each rising edge of /AS. If /AS remains high, software may have to write each register address into the Channel Command/ Address Register (CCAR) before reading or writing a register. (If the host bus only includes 8 data lines, AD13-AD8 can carry register addresses.)

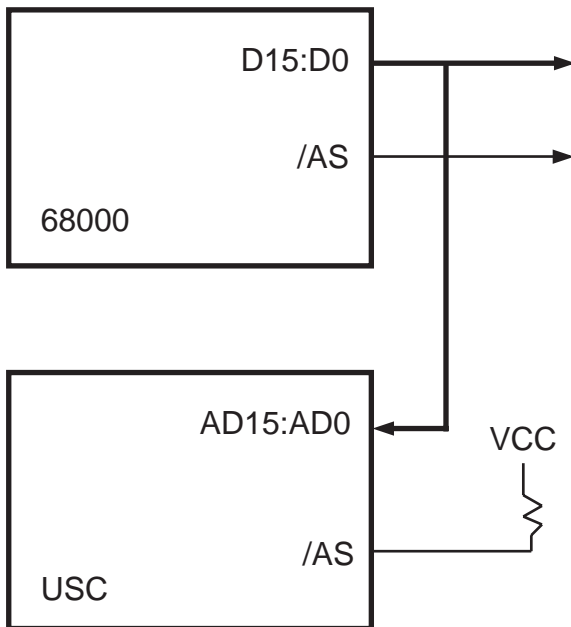


Figure 2-2. Simple Interface to Non-Multiplexed Bus

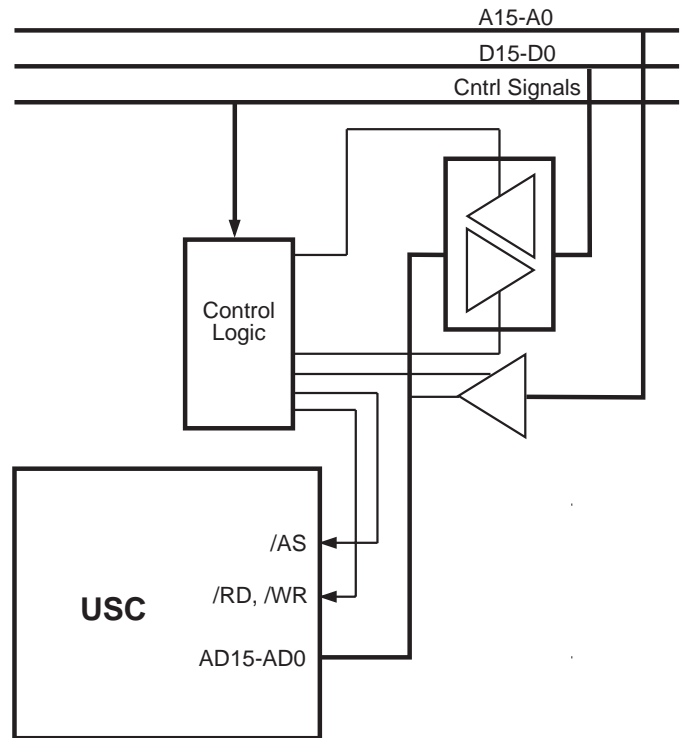
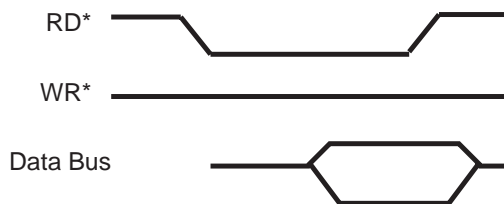


Figure 2-3. User-Friendly Interface to Non-Multiplexed Bus

2.3 READ/WRITE DATA STROBES

Another difference among host buses is the way in which read and write cycles are signalled and differentiated. Figures 2-4 and 2-5 show two standard methods supported by the USC. In Figure 2-4, the bus includes separate strobe lines for read and write cycles, commonly called $/RD$ and $/WR$. In Figure 2-5, the bus includes a data strobe line, $/DS$, that goes low for both read and write cycles, and a R/W line that differentiates read cycles from writes. The USC includes pins for all four of these signals. The two that match up with host bus signals should be connected to those signals. The two unused pins should be pulled up to a high level.

Read Operation:

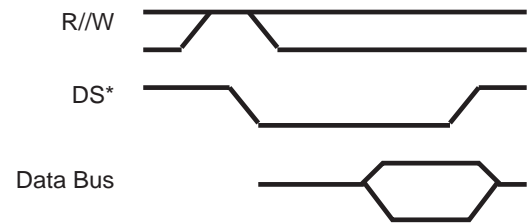


Write Operation:



Figure 2-4. $/RD$ and $/WR$ Signaling

Read Operation:



Write Operation:

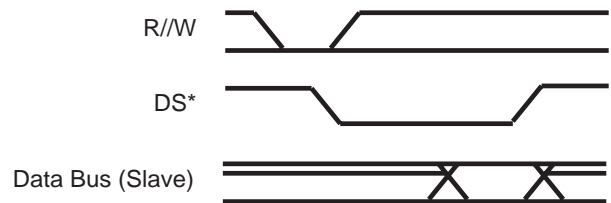


Figure 2-5. R/W and $/DS$ Signaling

There is no programmable option for the distinction between $/RD$ - $/WR$ and R/W - $/DS$ operation. The USC simply responds to either pair of lines, which is why it's important to pull up the unused pair. Also, the USC doesn't demand that the R/W line remain valid throughout the assertion of $/DS$. It captures the state of R/W at the leading/falling edge of $/DS$, so that R/W need only satisfy setup and hold times with respect to this edge.

Only one among the bus signals $/DS$, $/RD$, $/WR$, and $/PITACK$ may be active at a time. This prohibition also includes $/RxACKA$, $/RxACKB$, $/TxACKA$, and $/TxACKB$ when these pins are used as DMA acknowledge signals. (Chapter 5 covers DMA interfacing including the "ACK" signals, and Chapter 6 describes the USC's interrupt features including $/PITACK$). If the USC detects more than one of these inputs active simultaneously, it enters an inactive state from which the only escape is via the $/RESET$ pin.

2.4 BUS WIDTH

Another major difference among host buses is the number of data bits that can be transferred in one cycle. Software can configure the USC to transfer 16 bits at a time, in which case it is still possible to transfer 8 bits when this is necessary or desirable. Or, software can restrict operation to transferring only 8 bits at a time, on the AD7-AD0 pins.

This leaves the AD15-AD8 pins unused: another BCR option allows them to carry register addresses. The latter option allows software to directly address USC registers even on a non-multiplexed bus, without having to write an address into the USC before it accesses a register.

2.5 ACK VS. WAIT HANDSHAKING

The final major difference among host buses involves the nature of the handshaking signals that slave devices use for speed-matching with masters. Figure 2-6 illustrates the three variations in common use. In the first, which we'll call Wait signaling, if a master selects a slave and the slave cannot capture write data or provide read data within the time allowed to keep the master operating at full speed, it quickly (combinatorially) drives a Wait output low, and then returns it to high when it's ready to complete the cycle. Some peripheral devices have Wait outputs that are open-collector or open-drain, which can be tied together for a negative logic wired-Or function. Because the USC drives its /WAIT//RDY output high or low on a full-time basis, a logic gate must be used to negative-logic OR (positive-logic AND) its /WAIT//RDY output with the /WAIT signal(s) for other slaves, to produce the /WAIT input to the master (e.g., to the processor).

In the second scheme, "Acknowledge" signaling, all slaves must respond when the master directs a cycle to them, by driving an Acknowledge signal (sometimes called /DTACK) low to allow the master to complete the transfer, and keeping it low until the master does so. As with the previous scheme, some peripherals provide slave Ack outputs that are open-collector or open-drain, which can be tied together for a negative logic wired-Or function. Because the USC drives its /WAIT//RDY output high or low on a full-time basis, a logic gate must be used to negative-logic OR its /WAIT//RDY output with the /ACK signals for other slaves, to produce the Acknowledge input to the master.

In the third scheme, "Ready" signaling, all slaves must respond when the master directs a cycle to them, by driving a Ready signal high to allow the master to complete the transfer, and keeping it high until the master does so. This scheme differs from Wait signaling in the default state of the handshaking signal between cycles (high for Wait signaling, low for Ready). It has similar timing as Ack signaling, but differs in the polarity of the handshaking signal. With Ready signaling, the board designer must include a logic gate to positive-logic OR the various slaves' Ready lines to produce a composite Ready input for the bus master(s).

The USC supports Acknowledge and Ready signaling for all cycles, and Wait signaling for interrupt acknowledge cycles. The USC register access times should be short enough to avoid the need for Wait signaling on all but the fastest processors. The board designer can combine the USC's /WAIT//RDY output with similar signals from other slaves, by means of an external logic gate or (for Acknowledge and Wait) an external tri-state or open-collector driver.

If software writes the Bus Configuration Register (BCR) at an address that makes the A//B pin low, the USC drives /WAIT//RDY low as an "Acknowledge" signal, while if software writes the BCR with A//B high, the USC drives /WAIT//RDY as a "wait" signal.

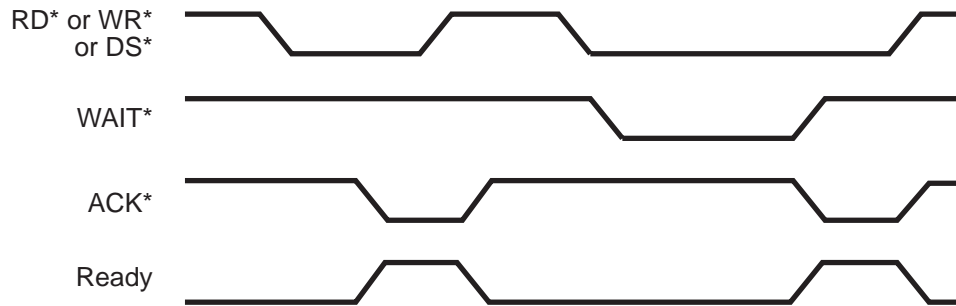


Figure 2-6. A Fast and Slow Cycle, with Three Kinds of Handshaking

2.6 PIN DESCRIPTIONS

/RESET. Reset (input, active low). A low on this line places the USC in a known, inactive state, and conditions it so that the data, from the next write operation that asserts the /CS pin, goes into the Bus Configuration Register (BCR) regardless of register addressing. /RESET should be driven low as soon as possible during power-up, and as needed when restarting the overall system or the communications subsystem.

AD15-AD0. Address/Data Bus (inputs/tri-state outputs). These lines carry data between the controlling microprocessor and the USC, and may also carry multiplexed addresses of registers within the USC. If the USC is used with an external DMA controller, these lines also carry data between the USC and system memory or the DMA controller. AD15-AD0 can be used in a variety of ways based on whether the USC senses activity on /AS after Reset, and on the data written to the Bus Configuration Register (BCR).

/CS. Chip Select (input, active low). A low on this line indicates that the controlling microprocessor's current bus cycle refers to a register in the USC. The USC ignores /CS when a low on /SITACK or /PITACK indicates that the current bus operation is an interrupt acknowledge cycle. On a multiplexed bus the USC latches the state of this pin at rising edges on /AS, while on a non-multiplexed bus it latches /CS at leading/falling edges on /DS, /RD, or /WR.

A//B. Channel Select (input, high indicates "channel A"). Cycles with /CS low, and /SITACK, /PITACK, and this pin both high, access registers for channel A. Cycles with /SITACK and /PITACK high, and /CS and this pin both low, access registers for channel B. The state of this line when the Bus Configuration Register is written determines "wait

vs. acknowledge" operation, as described later in this chapter. On a multiplexed bus the USC latches the state of this pin at rising edges on /AS, while on a non-multiplexed bus it latches the state at leading/falling edges on /DS, /RD, or /WR.

D//C. Data/Control (input, high indicates Data). A read cycle with /CS low, and /SITACK, /PITACK, and this pin high, fetches data from the receive FIFO of the channel selected by A//B, via its Receive Data Register (RDR). A write cycle with the same conditions writes data into that channel's transmit FIFO via its Transmit Data Register (TDR). Cycles with /SITACK and /PITACK high and both /CS and this pin low read or write a USC register. On a multiplexed bus the USC determines which register to access from the low-order AD lines at the rising edge of /AS. On a non-multiplexed bus it typically selects the register based on the LSBs of the serial controller's Channel Command/Address Register. On a multiplexed bus the USC latches the state of this pin at rising edges on /AS, while on a non-multiplexed bus it latches the state at leading/falling edges on /DS, /RD, or /WR.

/AS. Address Strobe (input, active low). After a reset, the USC's bus interface logic monitors this signal to see if the host bus multiplexes address and data on AD15-AD0. If the logic sees activity on /AS before (or as) software writes the Bus Configuration Register, then in subsequent cycles directed to the USC, it captures register selection from the AD lines, A//B, and D//C on rising edges of /AS.

For a non-multiplexed bus this pin should be pulled up to +5V. If a processor uses a non-multiplexed bus, yet has an output called Address Strobe (e.g., 680x0 devices), this pin should not be tied to the output.

2.6 PIN DESCRIPTIONS (Continued)

R/W. Read/Write control (input, low signifies “write”). R/W and /DS indicate read and write cycles on the bus, for host processors/buses having this kind of signaling. The USC samples R/W at each leading/falling edge on /DS.

/DS. Data Strobe (input, active low). R/W and /DS indicate read and write cycles on the bus, for host processors/buses having this kind of signaling. It is qualified by /CS low or /SITACK low. The USC samples R/W at each leading/falling edge on this line. For write cycles, the USC captures data at the rising (trailing) edge on this line. In read cycles the USC provides valid data on the AD lines within the specified access time after this line goes low, and this data remains valid until after the master drives this line back to high.

/RD. Read Strobe (input, active low). This line indicates a read cycle on the bus, for host processors/buses having this kind of signaling. It is qualified by /CS low or /SITACK low. In Read cycles the USC provides valid data on the AD lines within the specified access time after this line goes low, and this data remains valid until after the master drives this line back to high.

/WR. Write Strobe (input, active low). This line indicates write cycles on the bus, for host processors/buses having this kind of signaling. It is qualified by /CS low. The USC captures write data at the rising (trailing) edge of this line.

Only one of /DS, /RD, /WR, or /PITACK may be driven low in each bus cycle. This restriction also includes /TxACK and/or /RxACK if they're used as “flyby” DMA Acknowledge signals.

/WAIT//RDY. Wait, Ready, or Acknowledge handshaking (output, active low). This line can carry “wait” or “acknowledge” signaling depending on the state of the A//B input during the initial BCR write. If A//B is high when the BCR is written, this line operates thereafter as a Ready/Wait line for Zilog and some Intel processors. In this mode the USC asserts this line low until it's ready to complete an interrupt acknowledge cycle, but it never asserts this line when the host accesses one of the USC registers.

If A//B is low when the BCR is written, this line operates thereafter as an Acknowledge line for Motorola and some Intel processors. In this mode the USC asserts this line low for register read and write cycles, and also when it is ready to complete an interrupt acknowledge cycle.

In any case this is a full time (totem pole) output. The board designer can combine this signal with similar signals for other slaves, by means of an external logic gate or a tri-state or open-collector driver.

/INTA,B. Interrupt Requests (outputs, active low). A channel drives its /INT pin low when (1) its IEI pin is high, (2) one or more of its interrupt type(s) is (are) enabled and pending, and (3) the Interrupt Under Service flag isn't set for its highest priority enabled/pending type, nor for any higher-priority type within the channel. The USC drives these pins high or low at all times — they are neither tri-state nor open-drain pins.

/SITACK, /PITACK. Interrupt Acknowledge (inputs, active low). A low on one of these lines indicates that the host processor is performing an interrupt acknowledge cycle. In some systems a low on one of these lines may further indicate that external logic has selected this USC as the device to be acknowledged, or as a potential device to be acknowledged. The two signals differ in that /SITACK should be used for a level-sensitive “status” signal that the USC should sample at the leading edge of /AS or /DS, while /PITACK should be used for a single-pulse or double-pulse protocol. The other, unused pin should be pulled up to a high level. A channel will respond to an interrupt acknowledge cycle in a variety of ways depending on its /INT and IEI lines, as described in Chapter 7.

IEIA,B. Interrupt Enable In (inputs, active high). These signals and the IEO pins can be part of an interrupt-acknowledge daisy-chain with other devices that may request interrupts. If a channel's IEI pin is high outside of an interrupt acknowledge cycle, and one or more interrupt type(s) is (are) enabled and pending for that channel, and the Interrupt Under Service flag isn't set for the (highest priority such) type nor for any higher-priority type within the channel, then the channel requests an interrupt by driving its /INT pin low. If a channel's IEI pin is high **during** an IACK cycle, one or more interrupt type(s) is (are) enabled and pending in that channel, and the Interrupt Under Service flag isn't set for the (highest priority such) type nor for any higher-priority one within the channel, then the channel forces its IEO line low and responds to the cycle.

IEOA,B. Interrupt Enable Out (outputs, active high). These signals and the IEI pins can be part of an interrupt acknowledge daisy chain with other devices that may request interrupts. A channel drives its IEO pin low whenever its IEI pin is low, and/or whenever the Interrupt Under Service flag is set for any type of interrupt within the channel. These signals operate slightly differently during an interrupt acknowledge cycle, in that a channel also forces its IEO pin low if it is (has been) requesting an interrupt.

V_{CC}, V_{SS}. **Power and Ground.** The inclusion of seven pins for each power rail insures good signal integrity, prevents transients on outputs, and improves noise margins on inputs. The USC's internal power distribution network requires that all these pins be connected appropriately.

2.7 PULL-UP RESISTORS AND UNUSED PINS

All unused input pins should be pulled up, either by connecting them directly to Vcc or with a resistor. This may include /PITACK, /SITACK, IEI, and /ABORT.

Bi-directional pins should typically be pulled up with a resistor of about 10K ohms, to allow the USC to drive them as outputs. This may include /TxREQ, /RxREQ, /TxC, /RxC, /CTS, and /DCD.

Tri-state output pins may need to be pulled up to protect external logic from the effects of having a floating input. Again, a resistor of about 10K ohms is recommended. This may include /TxREQ, /RxREQ, TxD, and /INT.

2.8 THE BUS CONFIGURATION REGISTER (BCR)

The BCR is a 16-bit register having the format shown in Figure 2-7. All the bits in the BCR reset to zero. Software's first access to the USC™ after a hardware reset, must be a write to the BCR. If the host processor handles 16-bit data, and the data bus between it and the USC is at least 16 bits wide, then the software's initial access to the USC should be a 16-bit write. This write can be to any address that activates the /CS pin; the data will be placed in the BCR. If the host can only write bytes to the USC, all data should be transferred on the AD7-AD0 pins. In such a system, pull-down resistors should be attached to the AD15-AD8 pins to ensure the state of these lines during the BCR write. (AD15 may want to be pulled up instead of down, as described in the section on the SepAd bit below.)

2.8.1 Wait vs. Ready Selection

The USC captures the state of the A//B pin when the software writes the BCR. It uses this captured state after the BCR write, such that if A//B was low, it drives the /WAIT //RDY pin as an "acknowledge" (or inverted "ready") signal during register accesses and interrupt acknowledge cycles, while if A//B was high, it drives the pin as a "wait" signal during interrupt acknowledge cycles only. Therefore, software should program the BCR at an address that corresponds to the kind of slave-to-master handshaking used on the host bus.

2.8.2 Bits and Fields in the BCR

SepAd (Separate Address; BCR15): this bit should only be written as 1 with 16-bit=0. This combination conditions the USC to use AD7-AD0 for data and to take register addressing from AD13-AD8. In this mode the USC takes the Upper/Lower byte indication (U//L) from AD8 and the register address from AD13-AD9

With this interfacing technique, the BCR must be written at an address such that AD13-AD8 are low/zero. Further, AD15 must be high/one and AD14 must be low/zero when software writes the BCR. The designer can ensure this by connecting AD15 and AD14 to more-significant address lines and writing the BCR at an appropriate address. Alternatively, the designer can ensure this by connecting a pull-up resistor to AD15 and a pulldown resistor to AD14.

This mode is useful with a non-multiplexed bus, to avoid making the software write a register address to CCAR before each register access. In this mode the USC captures the state of AD13-AD8 on each leading/falling edge on /DS, /RD, or /WR. But software can still program SepAd=1 (with 16-bit=0) when the USC has detected early activity on /AS. In this case the USC captures addressing from AD13-AD8 on each rising edge of /AS, rather than from the low-order AD lines as would be true with SepAd=0.



Figure 2-7. The USC's Bus Configuration Register (BCR)

2.8.2 Bits and Fields in the BCR (Continued)

16-Bit (BCR2): this bit should be written as 1 when the host data bus is 16 bits wide (or wider). Writing this bit as 0 has two effects: it restricts the host to using byte transfers on AD7-AD0 when reading and writing the USC's registers, and it makes the USC ignore the state of the "B//W" signal or bit for register accesses. This bit also controls whether "implicit" accesses to the CCAR, TDR, and RDR are 8 or 16-bit wide.

2PulseIACK (Double-Pulse Interrupt Acknowledge; BCR1): software should program this bit to 0 if the /PITACK pin isn't used or if it carries a single pulse when the host processor acknowledges an interrupt, or to 1 if /PITACK carries two pulses when the host processor acknowledges an interrupt. (The latter mode is compatible with certain Intel processors.)

SRightA (Shift Right Addresses; BCR0): this bit is significant only for a multiplexed bus — the USC ignores it for a non-multiplexed bus. If SRightA is 1, the USC captures register addressing from the AD6-AD0 pins and ignores the AD7 pin. In this mode, AD0 carries the Upper/Lower

byte indication (U//L), AD5-AD1 carry the actual register address, and AD6 carries the Byte/Word indication (B//W). If SRightA is 0, the USC captures addressing from AD7-AD1 and ignores AD0. It takes U//L from AD1, the register address from AD6-AD2, and B//W from AD7. This bit has no effect on the use of the S//D and D//C pins.

SRightA would be 0 when using the USC as an 8-bit peripheral on a 16-bit bus, which isn't likely to be a common application. Some sections of this manual assume that SRightA is 1.

All other bits in the BCR are reserved and should be programmed as 0. If the processor can only write bytes to the USC, software can only write the 8 LSBits of the BCR, on the AD7-AD0 lines. In this case, the state of AD15-AD8, when software writes the BCR, must be ensured by connecting these pins to pulldown resistors, or, if SepAd=1, to host address lines.

2.9 REGISTER ADDRESSING

The flowchart of Figure 2-9 shows how the USC determines which register to access when a host processor cycle asserts /CS and one of /RD, /WR, or /DS.

In all register accesses, the A//B pin selects between the two serial channels in the USC. The USC samples A//B, and other pins as described below, at the rising/trailing edge of /AS, or, if /AS is pulled up so that it's always High, at the falling/leading edge of /DS, /RD, or /WR.

2.9.1 Implicit Data Register Addressing

If the USC samples the D//C pin high, a write operation accesses the Transmit Data Register (TDR) and a read operation selects the Receive Data Register (RDR). The access is implicitly 16 bits wide if the **16-bit** bit in the Bus Configuration Register (BCR2) is 1 (indicating a 16-bit data bus) or 8 bits wide if BCR2 is 0.

This means that, on a 16-bit bus, software can neither write a byte to the TDR/TxFIFO nor read a byte from the RDR/RxFIFO using an address that makes D//C high. Instead, software must provide the explicit address of the LS byte of the TDR/RDR, either directly or by writing it to the CCAR.

2.9.2 Direct Register Addressing on AD13-AD8

If the USC samples D//C low, and the SepAd bit in the Bus Configuration Register (BCR15) is 1 (which should only be the case with an 8-bit data bus) the USC samples the AD13-AD9 pins as a **RegAd** to select which register to access, and samples AD8 as U//L to select which byte of the register to access. The USC always interprets a U//L bit in the "little-Endian" fashion, with a 1 indicating the more-significant 8 bits of the register.

If the USC samples AD13-AD8 as all zero in this mode, indicating the Channel Command/Address Register (CCAR), the USC uses the contents of the CCAR to select which register to access, as described in 'Indirect Register Addressing' below.

2.9.3 Direct Register Addressing on AD6-AD0/AD7-AD1

If the USC samples D//C low, SepAd (BCR15) is 0, and the USC detected activity on /AS before or as the BCR was written, the USC samples the low-order AD pins to determine which register to access. It takes the register selection (RegAd) from AD5-1 if SRightA (BCR0) is 1, or from AD6-AD2 if SRightA is 0. If 16-bit (BCR2) is 1, the USC samples AD6 (or AD7 if SRightA/BCR0 is 0) as B//W to determine whether to access all 16 bits of the register (if B//W is 0) or just 8. If 16-bit is 0 or B//W is 1, it samples AD0 (or AD1 if SRightA is 0) as U//L to select which byte of the register to access. The USC always interprets a U//L bit in the “little-Endian” fashion, with a 1 indicating the more-significant 8 bits of the register. U//L should be 0 for all 16-bit accesses.

If the USC samples AD6-0 (or 7-1 if SRightA is 1) as all zero in this mode, indicating the Channel Command/Address Register (CCAR), the USC uses the contents of the CCAR to select which register to access, as described in the next section.

2.9.4 Indirect Register Addressing in the CCAR

If the USC samples D//C low, and:

1. SepAd (BCR15) is 1 and the USC samples AD13-AD8 as all zero indicating the CCAR, or
2. SepAd is 0, the USC detected activity on /AS before or as the BCR was written, and it samples AD6-AD0 as all zero indicating the CCAR, or
3. SepAd is 0 and the USC did not detect activity on /AS before nor as the BCR was written,

then it uses the less-significant byte of the CCAR to select which register to access.

Figure 2-8 shows the CCAR. When the USC takes indirect register addressing from it, the RegAd field (CCAR5-1) selects which register to access. If 16-bit (BCR2) is 1, the USC uses CCAR6 as B//W to determine whether to access all 16 bits of the register (if B//W is 0) or just 8. If 16-bit is 0 or B//W is 1, it uses CCAR0 as U//L to select which byte of the register to access.

The USC always interprets a U//L bit in the “little-Endian” fashion, with a 1 indicating the more-significant 8 bits of the register. U//L should be 0 for all 16-bit accesses.

Whenever it uses CCAR as an indirect address, the USC thereafter clears CCAR6-0 to zero, so that the next access to CCAR address again references all 16 bits of the CCAR itself. Thus, after writing a register address to the CCAR, reading or writing the CCAR address accesses the register selected by the address written, but another write to the CCAR address thereafter again writes an address into the CCAR.

CCAR can always be used to select a register for a subsequent access to the CCAR address, even if the USC detected activity on /AS after Reset, and regardless of the state of SepAd (BCR15).

Typically when software uses indirect register addressing, the CCAR address is the only one it reads and writes, every other access being to write a register address. Note that the CCAR itself can be accessed in a single read or write operation: for example, on a 16-bit bus to write a command to the RTCmd field, software doesn't have to first write the address of the CCAR (which is zero). Specifying a register address for the next access to the CCAR can be done in the same write operation with issuing a command in RTCmd and/or changing the RTMode field.

'The RxD and TxD Pins' in Chapter 4 describes how the **RTMode** field in the CCAR controls echoing and looping between the Transmitter and Receiver. Typically this field is zero, but in applications using indirect register addressing and non-zero RTMode values, software must take care to preserve the current value of RTMode when it writes register addresses to the CCAR.

When using indirect addressing, some hardware/software mechanism has to prevent a USC interrupt, or any interrupt that leads to a context switch away from an interrupted USC task, from occurring between the time an address is written into the CCAR and when the subsequent read or write is done. This is because an address that has been written into the CCAR is part of the interrupted task's context that would want to be saved, but there's no way to read such an address out of the USC — reading the CCAR returns the contents of the addressed register.

2.9.5 About the Register Address Tables

Tables 2-1 and 2-2 show the names and addresses of the addressable registers in the USC, in address and alphabetical order. The Tables assume that SRightA (BCR0) is 1. The RegAddr column in the Tables reflects the state of AD5-AD1, AD13-AD9, or CCAR5-1 as applicable.

If "16-bit" (BCR2) is 1, the B//W bit from AD6, AD14, or CCAR6 selects between a 16-bit transfer (if 0/low) and an 8-bit transfer (if 1). If "16-bit" is 0, the USC ignores AD6, AD14, or CCAR6 (as applicable). Note that the values in the "8-bit data" columns of Tables 2-1 and 2-2 include the B//W bit 1 for both direct and indirect addressing, as is required on a 16-bit bus. When 16-bit (BCR2) is 0 these address values can be used as shown, or 64 lower like the addresses shown in the "16-bit data" columns.

For 8-bit transfers on either an 8- or 16-bit bus, the state of AD0, AD8, or CCAR0 selects the less-significant 8 bits of the register (if 0/low) or the more-significant 8 bits if 1/high. In this regard the USC is "little Endian" like Intel microprocessors. For 16-bit transfers, AD0, AD8, or CCAR0 must be 0/low.

The Direct Address columns of the Tables assume:

- (1) SRightA (BCR0) is 1,
- (2) the processor's multiplexed AD6-AD0 lines are connected to AD6-AD0, or its A5-A0 lines are connected to AD13-AD8, depending on SepAd (BCR15),
- (3) the D//C pin is grounded, and
- (4) the processor's A7 line is connected to A//B.

If your design differs from these assumptions, register addressing will be different from that shown in the Direct Address columns.

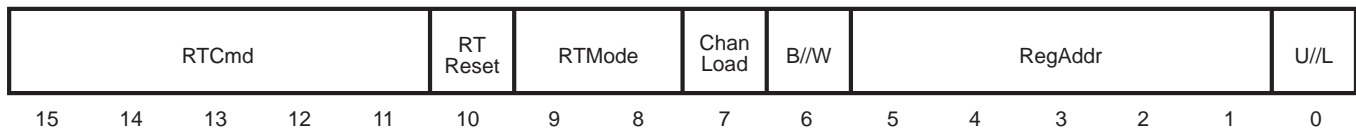


Figure 2-8. The Channel Command/Address Register (CCAR)

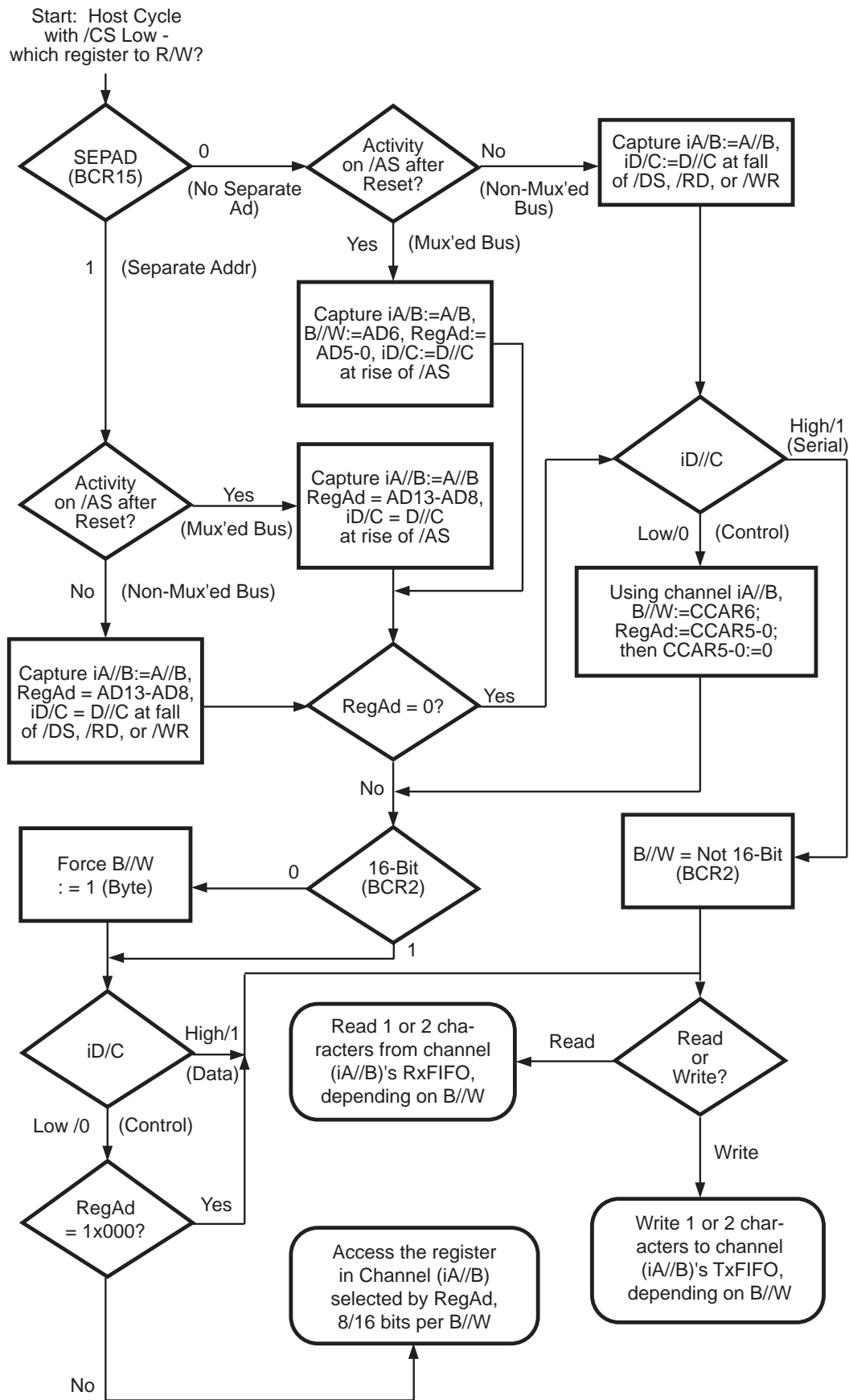


Figure 2-9. USC Register Addressing

2.9 Register Addressing (Continued)

Table 2-1. USC Registers, in Address Order

Register Name	Acronym	Reg Addr	CCAR6-0 Indirect Address or Channel B Direct Address		Channel A Direct Address:	
			16-bit data	8-bit data	16-bit data	8-bit data
Channel Command/Address	CCAR	00000	0/0	64,65/40,1	128/80	192,3/C0,1
Channel Mode	CMR	00001	2/2	66,7/42,3	130/82	194,5/C2,3
Channel Command/Status	CCSR	00010	4/4	68,9/44,5	132/84	196,7/C4,5
Channel Control	CCR	00011	6/6	70,1/46,7	134/86	198,9/C6,7
Test Mode Data	TMDR	00110	12/0C	76,7/4C,D	140/8C	204,5/CC,D
Test Mode Control	TMCR	00111	14/0E	78,9/4E,F	142/8E	206,7/CE,F
Clock Mode Control	CMCR	01000	16/10	80,1/50,1	144/90	208,9/D0,1
Hardware Configuration	HCR	01001	18/12	82,3/52,3	146/92	210,1/D2,3
Interrupt Vector	IVR	01010	20/14	84,5/54,5	148/94	212,3/D4,5
Input/Output Control	IOCR	01011	22/16	86,7/56,7	150/96	214,5/D6,7
Interrupt Control	ICR	01100	24/18	88,9/58,9	152/98	216,7/D8,9
Daisy-Chain Control	DCCR	01101	26/1A	90,1/5A,B	154/9A	218,9/DA,B
Miscellaneous Interrupt Status	MISR	01110	28/1C	92,3/5C,D	156/9C	220,1/DC,D
Status Interrupt Control	SICR	01111	30/1E	94,5/5E,F	158/9E	222,3/DE,F
Receive Data (Read only; TDR for Write)	RDR	1x000	32/20	96/60 or 97/61	160/A0	224/E0 or 225/E1
Receive Mode	RMR	10001	34/22	98,9/62,3	162/A2	226,7/E2,3
Receive Command/Status	RCSR	10010	36/24	100,1/64,5	164/A4	228,9/E4,5
Receive Interrupt Control	RICR	10011	38/26	102,3/66,7	166/A6	230,1/E6,7
Receive Sync	RSR	10100	40/28	104,5/68,9	168/A8	232,3/E8,9
Receive Count Limit	RCLR	10101	42/2A	106,7/6A,B	170/AA	234,5/EA,B
Receive Character Count	RCCR	10110	44/2C	108,9/6C,D	172/AC	236,7/EC,D
Time Constant 0	TC0R	10111	46/2E	110,1/6E,F	174/AE	238,9/EE,F
Transmit Data (Write only; RDR for Read)	TDR	1x000	48/30	112/70 or 113/71	176/B0	240/F0 or 241/F1
Transmit Mode	TMR	11001	50/32	114,5/72,3	178/B2	242,3/F2,3
Transmit Command/Status	TCSR	11010	52/34	116,7/74,5	180/B4	244,5/F4,5
Transmit Interrupt Control	TICR	11011	54/36	118,9/76,7	182/B6	246,7/F6,7
Transmit Sync	TSR	11100	56/38	120,1/78,9	184/B8	248,9/F8,9
Transmit Count Limit	TCLR	11101	5/3A	122,3/7A,B	186/B	250,1/FA,B
Transmit Character Count	TCCR	11110	60/3C	124,5/7C,D	188/BC	252,3/FC,D
Time Constant 1	TC1R	11111	62/3E	126,7/7E,F	190/BE	254,5/FE,F

Table 2-2. USC Registers, in Alphabetical Order

Register Name	Acronym	Reg Addr	CCAR6-0 Indirect Address or Channel B Direct Address		Channel A Direct Address:	
			16-bit data	8-bit data	16-bit data	8-bit data
Channel Command/Address	CCAR	00000	0/0	64,65/40,1	128/80	192,3/C0,1
Channel Command/Status	CCSR	00010	4/4	68,9/44,5	132/84	196,7/C4,5
Channel Control	CCR	00011	6/6	70,1/46,7	134/86	198,9/C6,7
Channel Mode	CMR	00001	2/2	66,7/42,3	130/82	194,5/C2,3
Clock Mode Control	CMCR	01000	16/10	80,1/50,1	144/90	208,9/D0,1
Daisy-Chain Control	DCCR	01101	26/1A	90,1/5A,B	154/9A	218,9/DA,B
Hardware Configuration	HCR	01001	18/12	82,3/52,3	146/92	210,1/D2,3
Input/Output Control	IOCR	01011	22/16	86,7/56,7	150/96	214,5/D6,7
Interrupt Control	ICR	01100	24/18	88,9/58,9	152/98	216,7/D8,9
Interrupt Vector	IVR	01010	20/14	84,5/54,5	148/94	212,3/D4,5
Miscellaneous Interrupt Status	MISR	01110	28/1C	92,3/5C,D	156/9C	220,1/DC,D
Receive Character Count	RCCR	10110	44/2C	108,9/6C,D	172/AC	236,7/EC,D
Receive Command/Status	RCSR	10010	36/24	100,1/64,5	164/A4	228,9/E4,5
Receive Count Limit	RCLR	10101	42/2A	106,7/6A,B	170/AA	234,5/EA,B
Receive Data (Read only; TDR for Write)	RDR	1x000	32/20	96/60 or 97/61	160/A0	224/E0 or 225/E1
Receive Interrupt Control	RICR	10011	38/26	102,3/66,7	166/A6	230,1/E6,7
Receive Mode	RMR	10001	34/22	98,9/62,3	16 /A2	226,7/E2,3
Receive Sync	RSR	10100	4 /28	104,5/68,9	168/A8	232,3/E8,9
Status Interrupt Control	SICR	01111	30/1E	94,5/5E,F	158/9E	222,3/DE,F
Test Mode Control	TMCR	00111	14/0E	78,9/4E,F	142/8E	206,7/CE,F
Test Mode Data	TMDR	00110	12/0C	76,7/4C,D	140/8C	204,5/CC,D
Time Constant 0	TCOR	10111	46/2E	110,1/6E,F	174/AE	238,9/EE,F
Time Constant 1	TC1R	11111	62/3E	126,7/7E,F	190/BE	254,5/FE,F
Transmit Character Count	TCCR	11110	60/3C	124,5/7C,D	188/BC	252,3/FC,D
Transmit Command/Status	TCSR	11010	52/34	116,7/74,5	180/B4	244,5/F4,5
Transmit Count Limit	TCLR	11101	58/3A	122,3/7A,B	186/BA	250,1/FA,B
Transmit Data (Write only; RDR for Read)	TDR	1x000	48/30	112/70 or 113/71	176/B0	240/F0 or 241/F1
Transmit Interrupt Control	TICR	11011	54/36	118,9/76,7	182/B6	246,7/F6,7
Transmit Mode	TMR	11001	50/32	114,5/72,3	178/B2	242,3/F2,3
Transmit Sync	TSR	11100	56/38	120,1/78,9	184/B8	248,9/F8,9

2.9.6 Serial Data Registers TDR and RDR

The RDR and TDR are actually “the read and write sides of” the same register location. The USC ignores the state of AD4, AD12, or CCAR4 (as applicable) whenever the rest of the address indicates an access to TDR or RDR. For simplicity Tables 2-1 and 2-2 show RDR at the lower address and TDR at the higher one.

The MSBytes of RDR and TDR should never be read or written alone, only as part of a 16-bit access. On a Zilog 16C0x or Motorola 680x0 system, use direct addresses 97 or 113 (61 or 71 hex) for channel B, and 225 or 241 (E1 or F1 hex) for channel A, to select the LSByte for byte transfers. On an Intel-based system, use the addresses 96, 112, 224, or 240 (60, 70, E0, F0 hex) correspondingly, to select the LSByte for byte transfers.

2.9.7 Byte Ordering

Various microprocessors differ on the correspondence between byte addresses and how bytes are arranged within a 16- or 32-bit value. The Zilog Z80 and most Intel processors use what’s sometimes called the “Little-Endian” convention: the least significant byte of a word has the smallest address, and the most significant byte has the largest address.

The Zilog 16C0x and Motorola 680x0 processors are “Big-Endian”: they store and fetch the MSByte in the lowest-addressed byte, and the LSByte in the highest address.

Addressing of bytes within USC registers is inherently “Little-Endian”, such that the MSBytes of registers have odd addresses.

For 16-bit serial data transfers only, two commands in the RTCmd field of the Channel Command/Address Register (CCAR15-11) allow the USC to be used with either kind of processor. The “Select D15-8 First” and “Select D7-0 First” commands control the byte ordering within a 16-bit transfer of serial data, and apply to DMA and processor accesses to RDR and TDR.

2.9.8 Register Read and Write Cycles

Figures 2-10 through 2-13 show the waveforms of the signals involved when the host processor reads or writes a USC register. Separate drawings are included for the signaling on a bus with multiplexed addresses and data, and for a bus with separate address and data lines. On the other hand, since waveforms get pretty boring after the first few, several things have been done to minimize the number of figures.

1. The cases of separate read and write strobes, vs. a direction line and a common data strobe, have been combined by labelling the strobe traces as “/DS or /RD” and “/DS or /WR”. The direction line R/W is shown in the figures, but a note reminds the reader that its state doesn’t matter with /RD and /WR.
2. The difference between “wait” and “acknowledge” signaling is handled by showing the /WAIT//RDY trace as “maybe or maybe not” going low, with appropriate labelling. (The USC never asserts a “Wait” indication during a register access cycle.)

Chapter 6 covers details of DMA cycles initiated by an external DMA controller, while Chapter 7 covers interrupt acknowledge cycles.

The actual timing parameters and electrical specifications of the USC are given in the companion publication USC Product Specification.

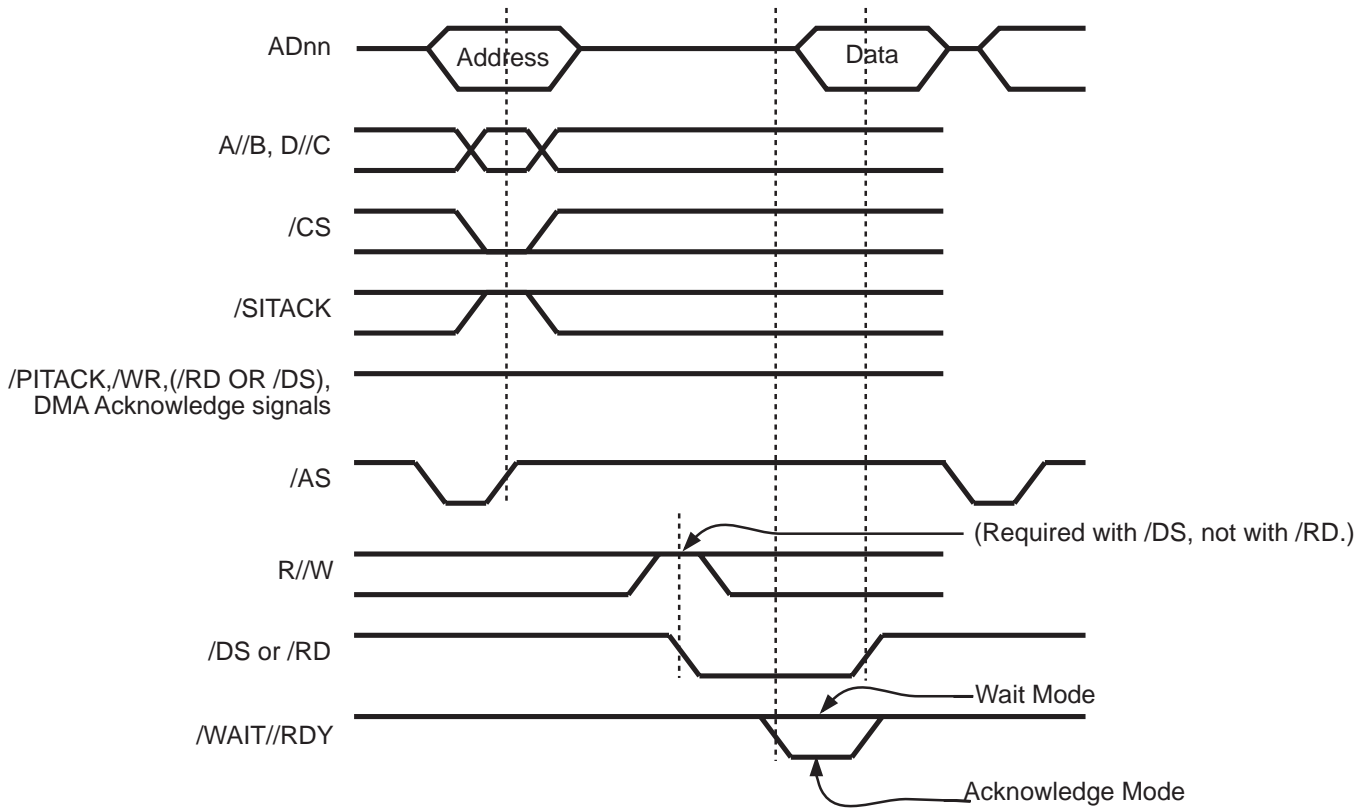


Figure 2-10. A Register Read Cycle with Multiplexed Addresses and Data

2.9.7 Register Read and Write Cycles (Continued)

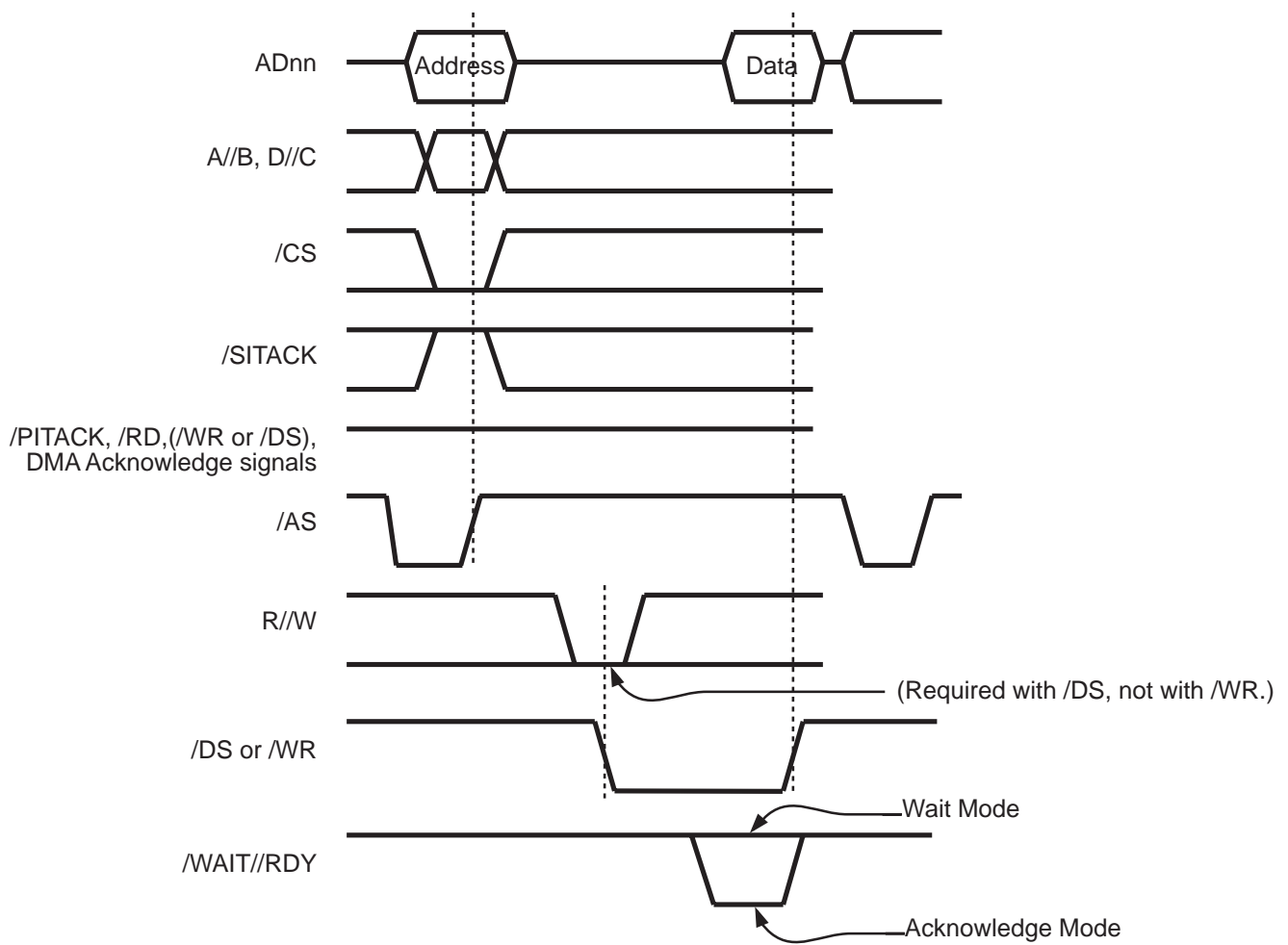


Figure 2-11. A Register Write Cycle with Multiplexed Addresses and Data

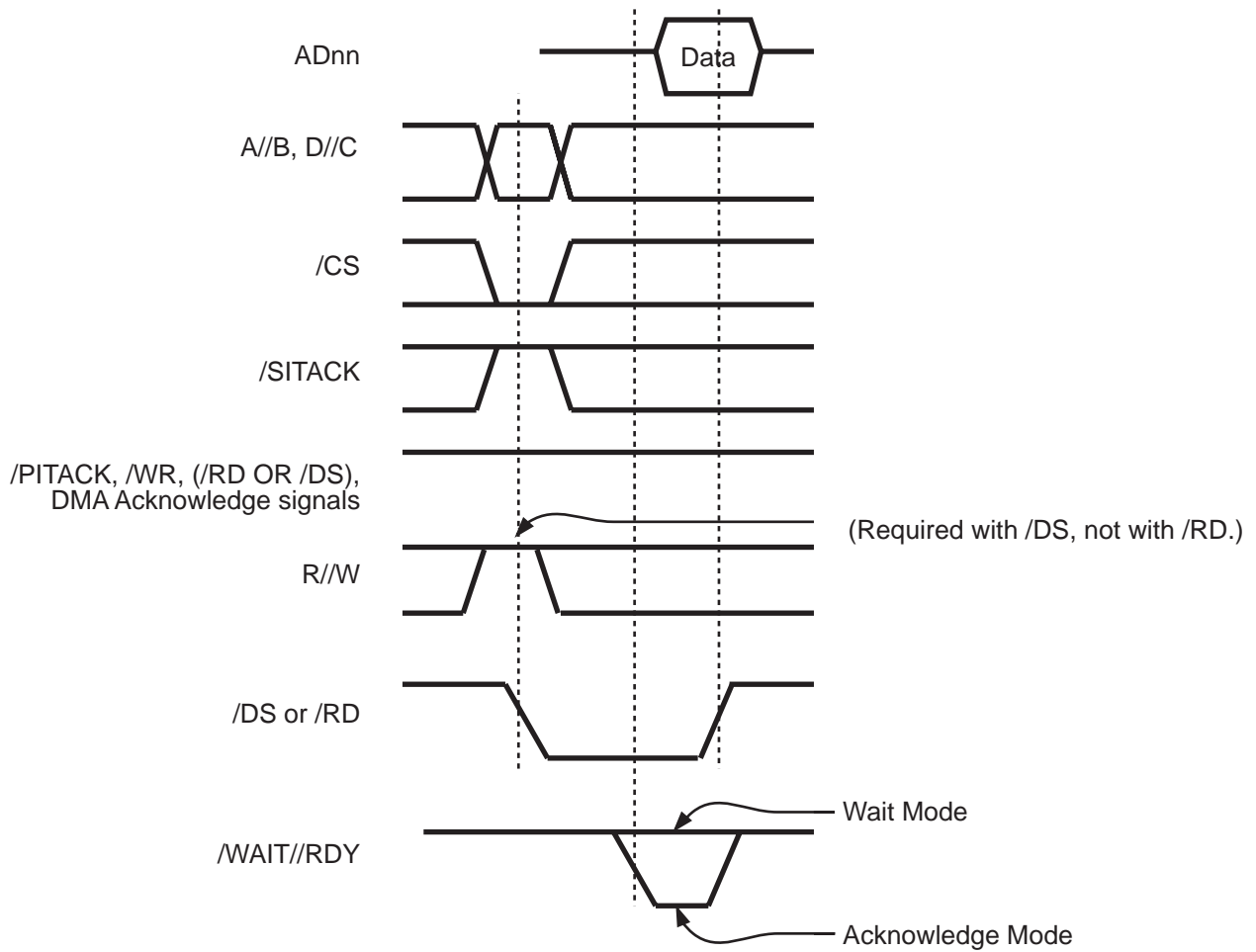


Figure 2-12. A Register Read Cycle with Non-Multiplexed Data Lines

2.9.7 Register Read and Write Cycles (Continued)

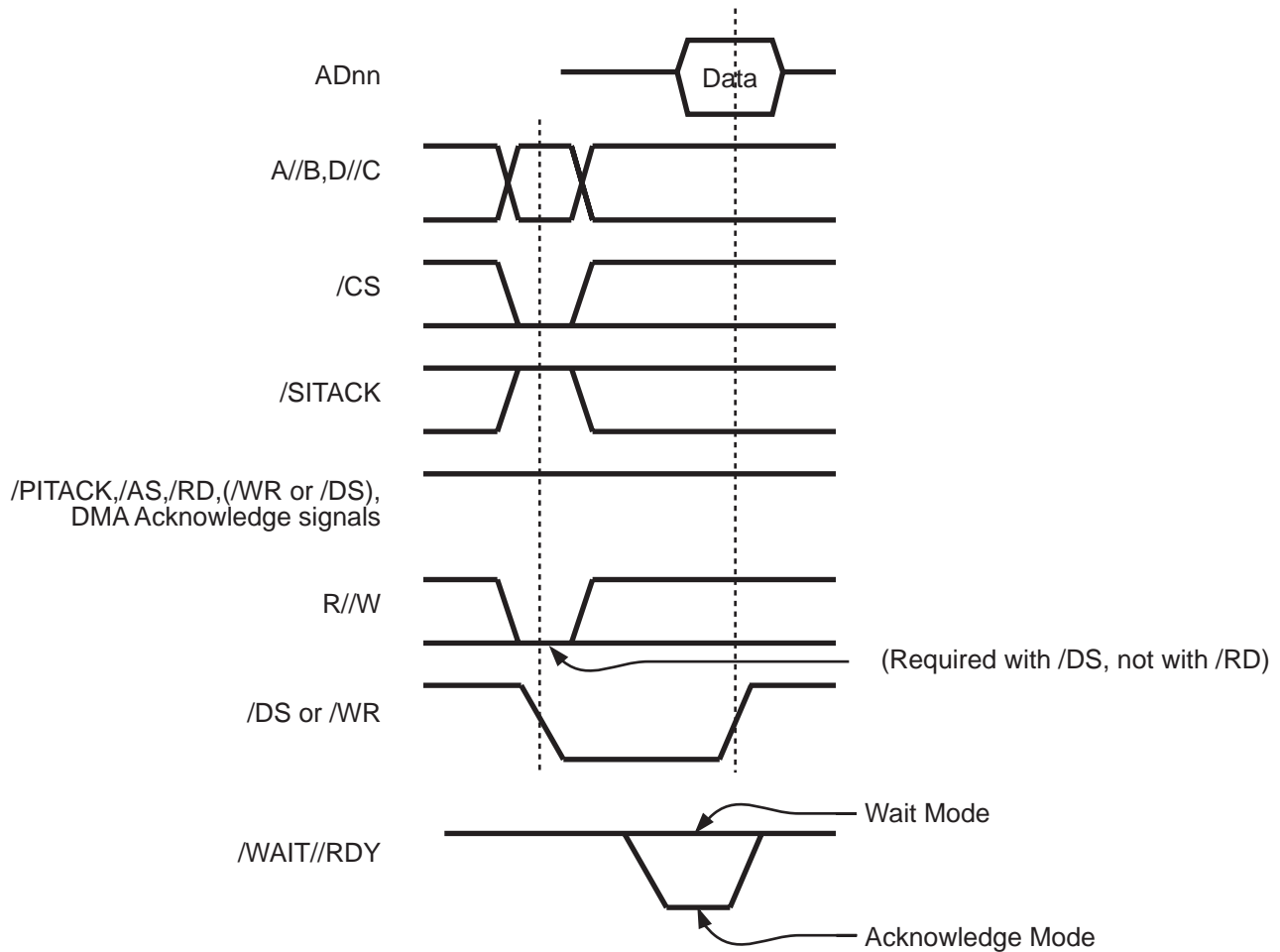


Figure 2-13. A Register Write Cycle with Non-Multiplexed Data Lines

© 1997 by ZiLog, Inc. All rights reserved. No part of this document may be copied or reproduced in any form or by any means without the prior written consent of ZiLog, Inc. The information in this document is subject to change without notice. Devices sold by ZiLog, Inc. are covered by warranty and patent indemnification provisions appearing in ZiLog, Inc. Terms and Conditions of Sale only. ZiLog, Inc. makes no warranty, express, statutory, implied or by description, regarding the information set forth herein or regarding the freedom of the described devices from intellectual property infringement. ZiLog, Inc. makes no warranty of merchantability or fitness for any purpose. ZiLog, Inc. shall not be responsible for any errors that may appear in this document. ZiLog, Inc. makes no commitment to update or keep current the information contained in this document.

ZiLog's products are not authorized for use as critical components in life support devices or systems unless a specific written agreement pertaining to such intended use is executed between the customer and ZiLog prior to use. Life support devices or systems are those which are intended for surgical implantation into the body, or which sustains life whose failure to perform, when properly used in accordance with instructions for use provided in the labeling, can be reasonably expected to result in significant injury to the user.

ZiLog, Inc. 210 East Hacienda Ave.
Campbell, CA 95008-6600
Telephone (408) 370-8000
Telex 910-338-7621
FAX 408 370-8056
Internet: <http://www.zilog.com>



CHAPTER 3

A SAMPLE APPLICATION

3.1 INTRODUCTION

Figures 3-1 and 3-2 are schematics of a simple USC® application. It includes a USC, an 80186 integrated processor, two EPROMs, two static RAMs, and 3 serial interfaces.

Figure 3-1 includes everything but the serial interfaces. The processor U2 and oscillator X1 et al typically operate at 16 MHz, and provide a 16 MHz SYSCLK that's included in the jumper blocks on the right side of p.2, so that it can be jumpered into the /TxC or /RxC pin and thus be used for baud rate generation. The 80186' bus features multiplexed address and data so that software doesn't have to write register addresses into CCAR.

U7-9 are octal latches that capture the address from the 186 and present the latched address to the RAMs and EPROMs. The EPROMs are selected by the Upper Chip Select (/UCS) output of the 186, while the RAMs are selected by the Lower Chip Select (/LCS) output. The USC

resides in I/O space, one channel being selected by the first of the 186' Peripheral Chip Select outputs (PCS0) and the other channel being selected by the other (PCS1).

The 28-pin EPROM sockets are set up to accept 2764's, 27128's, 27256's, or 27512's. The 32-pin RAM sockets can accept 32-pin 128Kx8 or 28-pin 32Kx8 static RAMs.

The U10 74FCT240 inverts signals between active-high signals on the 186 and active-low signals on the USC. The /TxREQ and /RxREQ pins of USC channel A are inverted to make the DMA Request 0 and 1 inputs of the 80186' integrated DMA channels. This means that USC channel A can use DMA operation while USC channel B must be interrupt-driven or polled. Since the 186' DMA channels use flow-through (two cycle) operation, channel A's /TxACK and /RxACK pins are free for use in the serial interfaces.

3.1 INTRODUCTION (Continued)

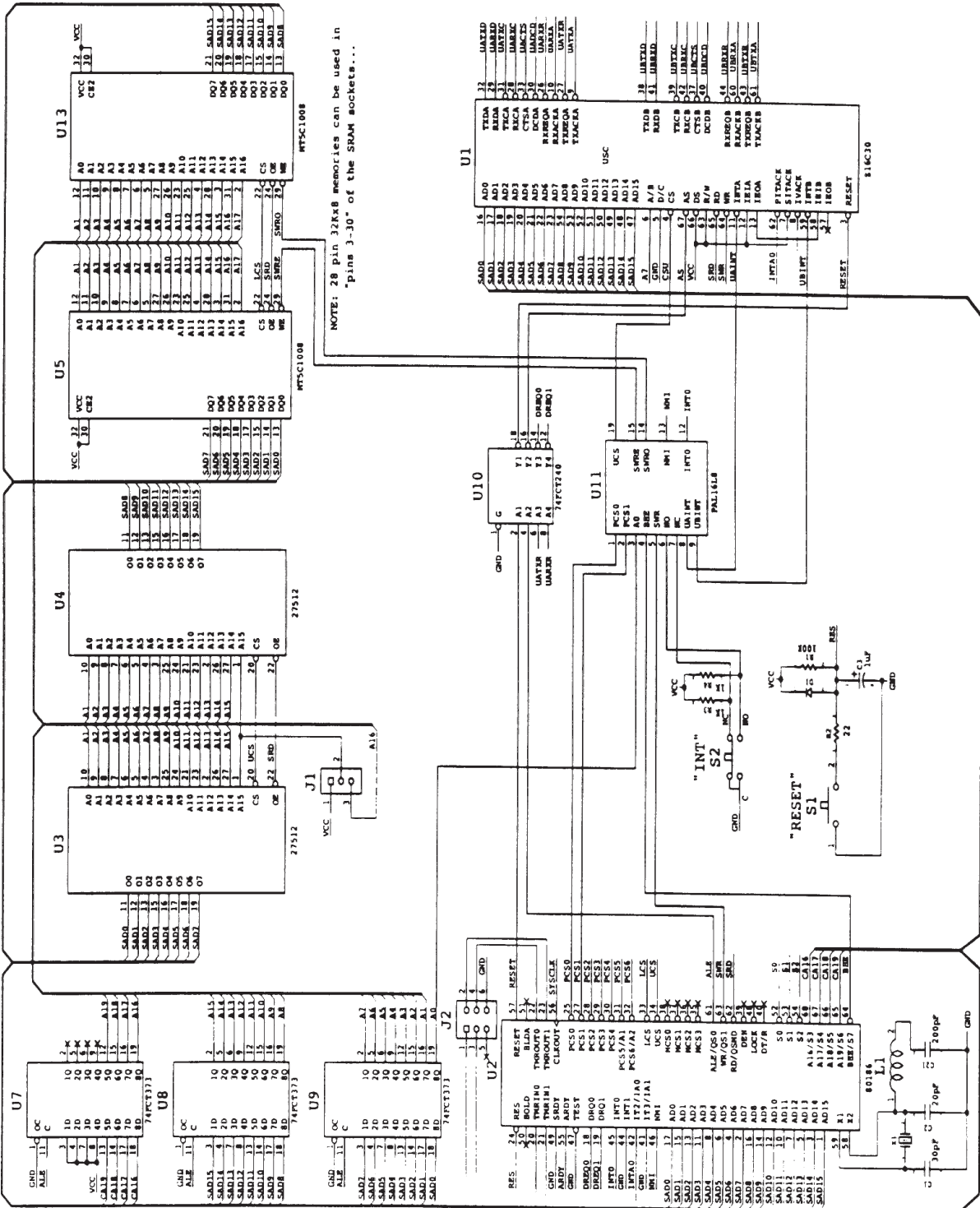


Figure 3-1. Sample Application

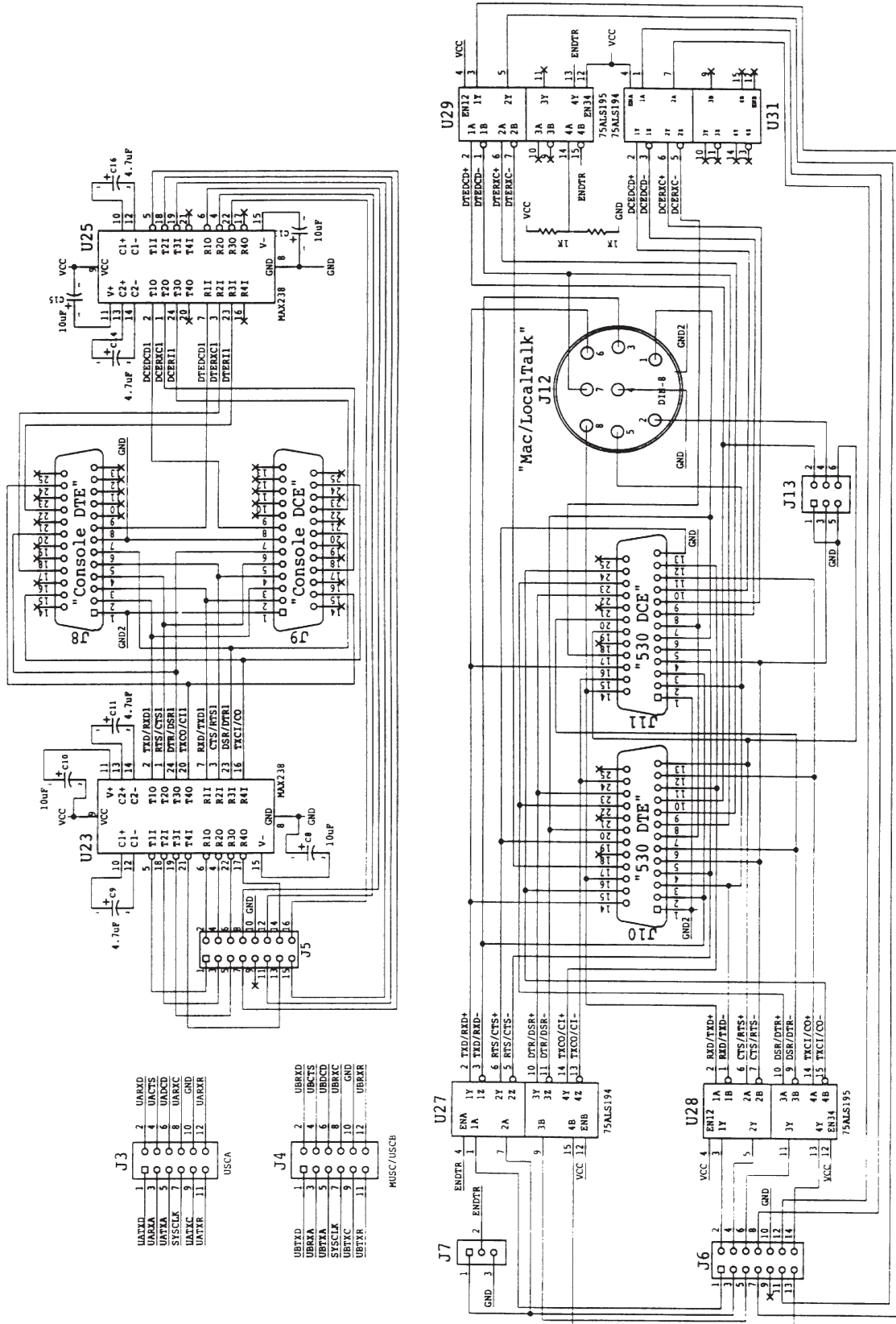


Figure 3-2. Serial Interface for Sample Application

3.1 INTRODUCTION (Continued)

U7-9 are octal latches that capture the address from the 186 and present the latched address to the RAMs and EPROMs. The EPROMs are selected by the Upper Chip Select (/UCS) output of the 186, while the RAMs are selected by the Lower Chip Select (/LCS) output. The USC resides in I/O space, one channel being selected by the first of the 186' Peripheral Chip Select outputs (PCS0) and the other channel being selected by the other (PCS1).

The 28-pin EPROM sockets are set up to accept 2764's, 27128's, 27256's, or 27512's. The 32-pin RAM sockets can accept 32-pin 128Kx8 or 28-pin 32Kx8 static RAMs.

The U10 74FCT240 inverts signals between active-high signals on the 186 and active-low signals on the USC. The /TxREQ and /RxREQ pins of USC channel A are inverted to make the DMA Request 0 and 1 inputs of the 80186' integrated DMA channels. This means that USC channel A can use DMA operation while USC channel B must be interrupt-driven or polled. Since the 186' DMA channels use flow-through (two cycle) operation, channel A's /TxACK and /RxACK pins are free for use in the serial interfaces.

The U11 PAL16L8 provides some glue logic, as follows:

```

/UCS    =/PCS0 + /PCS1 ;active-low OR of chip selects
/NMI    =/NO
        +/NMI * NC      ;debounce latch for NMI
                        pushbutton
/SWRE   =/SWR * /A0     ;write strobe for even-ad-
                        dressed (LS) RAM
/SWRO   =/SWR * /BHE   ;write strobe for odd-ad-
                        dressed (MS) RAM
/INT0   =UAINT * UBINT ;OR two active-low interrupt
                        Requests to make high-ac-
                        tive output

```

In these equations, "*" indicates a logical AND operation, "+" indicates a logical OR, and "/" indicates negation or a Low state.

All of the USC's serial interface pins are shown on its right side in Figure 3-1, and appear again on the J3 and J4 jumper headers at the upper right of Figure 3-2. From there they can be connected in various ways, either jumpered back among J3 and J4, or connected to the serial interfaces via the J5 and J6 jumper headers.

J5 leads to two MAX238 RS232 driver-receivers, whose opposite sides are connected to the user's choice of an RS-232 DB25 arranged "DTE" style or "DCE" style.

Similarly, J6 leads to 75ALS194 RS-422 differential drivers and 75ALS195 RS-422 differential receivers, whose opposite sides are connected to the user's choice of an RS-530 DB25 arranged "DTE" style or "DCE" style, or to a DIN Circular-8 connector arranged as a LocalTalk (Appletalk) interface. When using an RS-530 interface, jumper the J7 3-pin header between pins 2 and 3, for Appletalk jumper it between 1 and 2 and connect a "Data Terminal Ready" signal (typically Tx Acknowledge) to pin 5 of J6.

The following signals are typically jumpered straight across between (J3 or J4) and (J5 or J6):

Pin	Signal	Serial Interface Signal
1	USC TXD	—> DTE TxD or DCE RxD
2	USC RXD	<— DTE Rx Data or DCE Tx Data
3	USC /RxACK	—> DTE Request to Send or DCE Clear to Send
4	USC /CTS	<— DTE Clear to Send or DCE Request to Send
5	USC /TxACK	—> DTE Data Terminal Ready or DCE Data Set Ready

The connection of other signals is more flexible and application-dependent. The possibilities include, but are not limited to:

USC pin	J3/4 pin	J5/6 pin	Serial interface Signal
/DCD	6	7	—> DCE Data Carrier Detect
/DCD	6	8	<— DTE Data Carrier Detect
/RxC	8	11	—> DCE Rx Clock
/RxC	8	12	<— DTE Rx Clock
/TxC	9	13	—> DTE Tx Clock (DTE source) or DCE Tx Clock (DCE source)
/TxC	9	14	<— DTE Tx Clock (DCE source) or DCE Tx Clock (DTE source)
/TxREQ	11	15	—> DCE Ring Indicator (see note 1)
/TxREQ	11	16	<— DTE Ring Indicator (see note 1)
/RxREQ	12	6	<— DTE Data Set Ready or DCE Data Terminal Ready (see note 1)

Note 1: For channel A, these J3 pins should be connected only if they are not used as DMA Requests.

© 1997 by ZiLog, Inc. All rights reserved. No part of this document may be copied or reproduced in any form or by any means without the prior written consent of ZiLog, Inc. The information in this document is subject to change without notice. Devices sold by ZiLog, Inc. are covered by warranty and patent indemnification provisions appearing in ZiLog, Inc. Terms and Conditions of Sale only. ZiLog, Inc. makes no warranty, express, statutory, implied or by description, regarding the information set forth herein or regarding the freedom of the described devices from intellectual property infringement. ZiLog, Inc. makes no warranty of merchantability or fitness for any purpose. ZiLog, Inc. shall not be responsible for any errors that may appear in this document. ZiLog, Inc. makes no commitment to update or keep current the information contained in this document.

Zilog's products are not authorized for use as critical components in life support devices or systems unless a specific written agreement pertaining to such intended use is executed between the customer and ZiLog prior to use. Life support devices or systems are those which are intended for surgical implantation into the body, or which sustains life whose failure to perform, when properly used in accordance with instructions for use provided in the labeling, can be reasonably expected to result in significant injury to the user.

Zilog, Inc. 210 East Hacienda Ave.
Campbell, CA 95008-6600
Telephone (408) 370-8000
Telex 910-338-7621
FAX 408 370-8056
Internet: <http://www.zilog.com>



CHAPTER 4

SERIAL INTERFACING

4.1 INTRODUCTION

The USC[®] includes several serial interface options and features that promote its usefulness in various kinds of applications. It allows a variety of clocking schemes, and will do serial encoding and decoding for NRZI and Biphasic formats that carry clocking information with the serial data. The USC further supports such decoding with an on-chip

Digital Phase Locked Loop circuit. Finally, it provides I/O lines that can be connected to modem control and status signals, to other control and status lines related to the serial link, or even to input and/or output signals that aren't related to the serial link at all.

4.2 SERIAL INTERFACE PIN DESCRIPTIONS

RxDA,B. Received Data (inputs, positive logic). The serial inputs for each channel.

TxDA,B. Transmit Data (outputs, positive logic). The serial outputs for each channel.

/RxCA,B. Receive Clock (inputs or outputs). These signals can be used as a clock input for any of the functional blocks within each channel. Or, software can program a channel so that this pin is an output carrying any of several receiver or internal clock signals, a general-purpose input or output, or an interrupt input.

/TxCA,B. Transmit Clock (inputs or outputs). These signals can be used as a clock input for any of the functional blocks within each channel. Or, software can program a channel so that this pin is an output carrying any of several transmitter or internal clock signals, a general-purpose input or output, or an interrupt input.

/RxREQA,B. Receive DMA Request (inputs or outputs). These pins can carry a low-active DMA Request from each channel's receive FIFO. If DMA transfers aren't used for a channel's receiver, its RxREQ pin can be used as a general-purpose input or output, or as an interrupt input.

/TxREQA,B. Transmit DMA Request (inputs or outputs). These pins can carry a low-active DMA Request from each channel's transmit FIFO. If DMA transfers aren't used for a channel's transmitter, its TxREQ pin can be used as a general-purpose input or output, or as an interrupt input.

/RxACKA,B. Receive DMA Acknowledge (inputs or outputs). If an external "flyby" DMA controller is being used for a channel's received data, this pin carries the low-active Acknowledge signal from the DMA controller. If DMA transfers aren't used for a channel's receiver, or if the DMA controller uses flow-through (two-cycle) rather than flyby operation, that channel's RxACK pin can be used as a general-purpose input or output.

/TxACKA,B. Transmit DMA Acknowledge (inputs or outputs). If an external "flyby" DMA controller is being used for a channel's transmit data, this pin carries the low-active Acknowledge signal from the DMA controller. If DMA transfers aren't used for a channel's receiver, or if the DMA controller uses flow-through (two-cycle) rather than flyby operation, that channel's TxACK pin can be used as a general-purpose input or output.

/DCDA,B. Data Carrier Detect (inputs or outputs, active low). Software can program a channel so that this signal enables/disables its receiver. In addition or instead, software can program a channel to request interrupts in response to transitions on this line. The pins can also be used as simple inputs or outputs.

/CTSA,B. Clear to Send (inputs or outputs, active low). Software can program a channel so that this signal enables/disables its transmitter. In addition or instead, software can program a channel to request interrupts in response to transitions on this line. The pins can also be used as simple inputs or outputs.

4.3 TRANSMIT AND RECEIVE CLOCKING

The USC's Receiver and Transmitter logic have separate internal clock signals that we'll call RxCLK and TxCLK. In most of the USC's operating modes, the Receiver samples a new bit on RxD once per cycle of RxCLK, and the Transmitter presents a new bit on TxD for each cycle of TxCLK. One exception is asynchronous mode, in which RxCLK and TxCLK run at 16, 32, or 64 times the bit rate on RxD and TxD respectively. The other exception involves Biphase-encoded serial data, for which the Receiver samples RxD on both edges of RxCLK, and the Transmitter may change TxD on both edges of TxCLK.

Figure 4-1 shows how RxCLK and TxCLK can be derived in several different ways. This flexibility is an important part of the USC's ability to adapt to a wide range of applications.

In the simplest case, external logic derives clocks indicating bit boundaries, and software programs the channel to take RxCLK directly from the /RxC pin and TxCLK directly from the /TxC pin. When a channel uses such external clocking for synchronous operation with "NRZ" data, it samples a new bit on the RxD pin on each rising edge on /RxC, and presents each new bit on the TxD pin on the falling edge of /TxC.

It is often desirable to vary the bit rates for transmission and reception by programming the USC, rather than by means of off-chip hardware. To provide for this, each channel includes independent means by which high-speed clocking on /RxC or /TxC can be divided down to almost any desired bit rate.

4.3.1 CTR0 and CTR1

There are two separate 5-bit counters called CTR0 and CTR1 in each channel of a USC, comprising the "first stage" of the channel's clock-generation logic. Figure 4-2 shows the Clock Mode Control Register. Its **CTR0Src** and **CTR1Src** fields (CMCR13-12 and CMCR15-14 respectively) control whether each counter runs and whether it takes its input from the /RxC or /TxC pin:

CTRnSRC	CTRn clock source
00	CTRn disabled
01	Reserved (disabled)
10	CTRn input = /RxC pin
11	CTRn input = /TxC pin

Figure 4-3 shows the Hardware Configuration Register. Its **CTR0Div** field (HCR15-14) controls the factor by which CTR0 divides its input to produce its output:

CTR0Div	CTR0 operation
00	CTR0 output = input/32
01	CTR0 output = input/16
10	CTR0 output = input/8
11	CTR0 output = input/4

There were not enough register bits to allow a separate 2-bit "CTR1Div" field. If the **CTR1DSel** bit in the Hardware Configuration Register (HCR13) is 0, the CTR0Div field determines the factor by which both CTR1 and CTR0 divide their inputs to produce their outputs. If CTR1DSel is 1, the DPLLDiv field in the Hardware Configuration Register (HCR11-10) determines the factor by which both CTR1 and the DPLL divide their inputs to produce their outputs. In either case, the channel interprets the selected 2-bit field as shown above for CTR0Div.

The output of either counter can be used directly as RxCLK and/or TxCLK. It can be used as the input to either of two Baud Rate Generators called BRG0 and BRG1, and it can be routed to the /RxC or /TxC pin.

4.3.2 The Baud Rate Generators

There are two 16-bit down counters called BRG0 and BRG1 in each channel of a USC; they form the "second stage" of the channel's clock-generation logic. The **BRG0Src** and **BRG1Src** fields in the Clock Mode Control Register (CMCR9-8 and CMCR11-10 respectively) control each BRG's input:

BRGnSRC	BRGn clock source
00	CTR0 output
01	CTR1 output
10	/RxC pin
11	/TxC pin

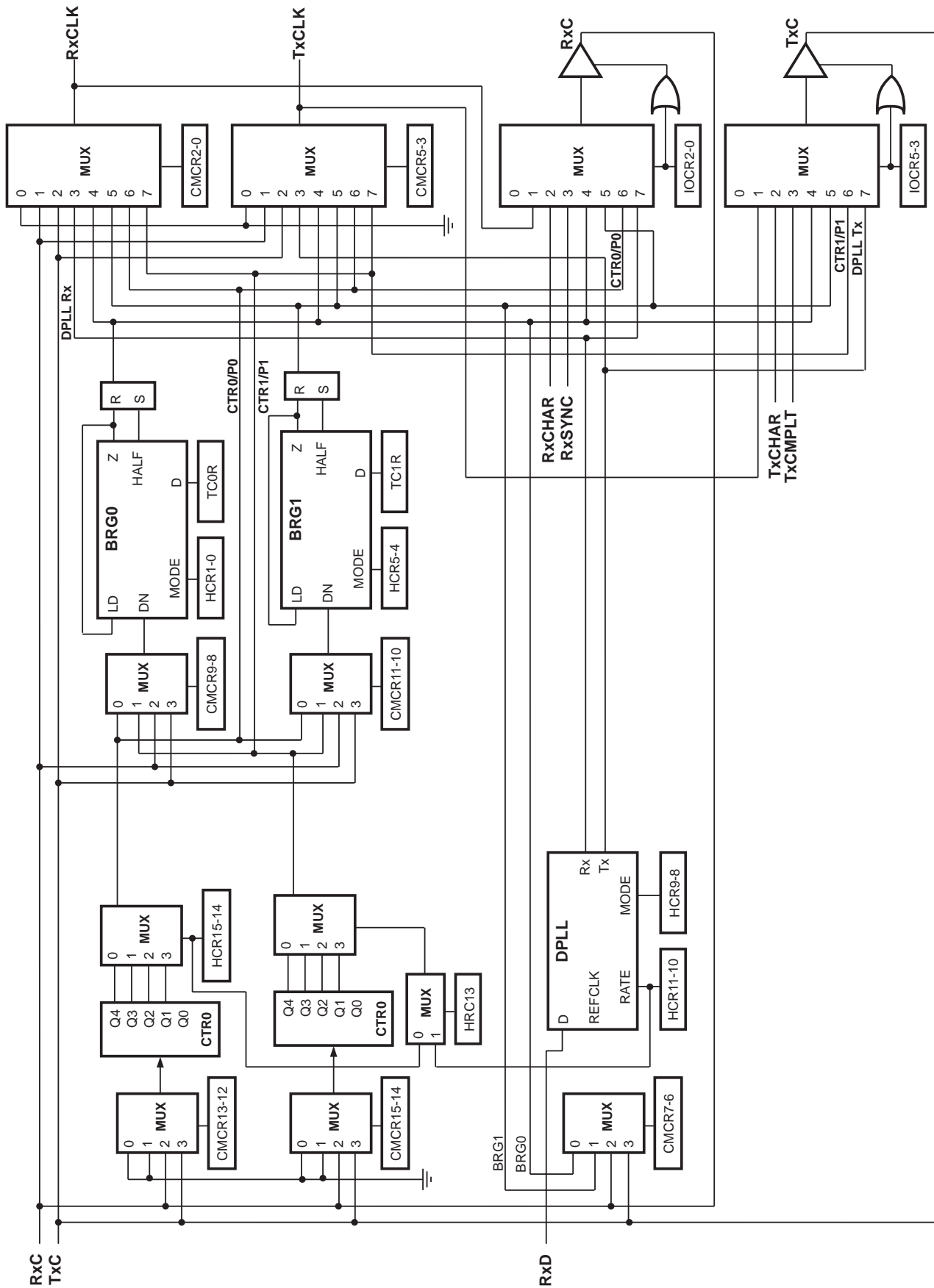


Figure 4-1. A Model of a USC Channel's Clocking Logic

4.3.2 The Baud Rate Generators (Continued)

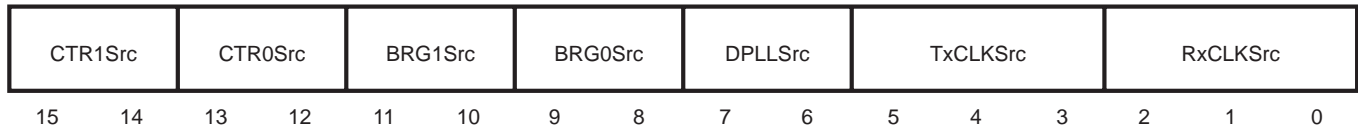


Figure 4-2. The Clock Mode Control Register (CMCR)

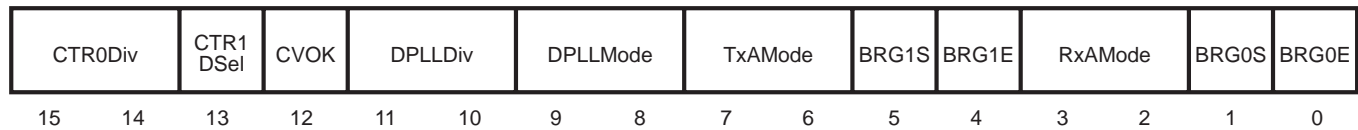


Figure 4-3. The Hardware Configuration Register (HCR)

Each of the two Time Constant registers (**TC0R** and **TC1R**) contains a 16-bit starting value for the corresponding BRG down-counter. Zero in a Time Constant Register makes a BRG's output clock identical with its input clock; a value of one makes a BRG divide its input clock by two, and so on — the all-ones value makes a BRG divide its input clock by 65,536 to produce its output clock. This flexibility of dividing by any value means that a channel can derive almost any baud rate from almost any input clock, unlike some competing devices that constrain the system designer to use specified crystal or oscillator values and constrain the available speeds to certain commonly-used baud rates.

The **BRG0E** and **BRG1E** bits in the Hardware Configuration Register (HCR0 and HCR4 respectively; the "E" in the names is for "Enable") control whether each Baud Rate Generator runs or not. A 0 in one of these bits inhibits/blocks down-counting by the corresponding BRG, keeping the current value in the down counter unchanged despite transitions on the selected input clock. A 1 in one of these bits enables the corresponding BRG to count down in response to input clock transitions.

When a Baud Rate Generator counts down to zero, it sets the **BRG0L/U** or **BRG1L/U** bit in the Miscellaneous Interrupt Status Register (MISR1 or 0). Once one of these bits is set, it stays set until software writes a 1 to the bit, to "unlatch" it".

A BRG may or may not continue to operate after counting down to zero, depending on the **BRG0S** or **BRG1S** bit in the Hardware Configuration Register (HCR1 or HCR5 respectively; the "S" stands for "Single cycle"). A 0 in BRGnS causes BRGn to reload the TCn value automatically and continue operation, while BRGnS=1 makes BRGn stop when it reaches 0.

Software can (re)load the value in the Time Constant register(s) into one or both BRG counters by writing a "Load TC0", "Load TC1", or "Load TC0 and TC1" command to the RTCmd field of the Channel Command/Address Register (CCAR15-11), as described in the Commands section of Chapter 4. These commands also restart a BRG that's in Single Cycle mode and has counted down to zero and stopped.

The **TC0Rsel** bit in a channel's Receive Interrupt Control Register (RICR0) and the **TC1Rsel** bit in its Transmit Interrupt Control Register (TICR0) control what data the channel provides when software reads the TC0R and TC1R register addresses. If a TCnRsel bit is 0, the channel returns the time constant value last written to TCn. When a 1 is written to a TCnRsel bit, the channel captures the current value of the BRGn counter into a special latch, and thereafter returns the captured value from this latch when software reads the TCn address. Note that in order to obtain a series of relatively current values of a running BRGn, software has to write a 1 to the TCnRsel bit just before each time it reads the TCn location.

The output of either Baud Rate Generator can be used as RxCLK and/or TxCLK. It can be used as the reference clock input to the Digital Phase Locked Loop (DPLL) circuit, and it can be output on the /RxC or /TxC pin.

When a Baud Rate Generator isn't used to make a serial clock, software can use it for other purposes such as protocol timeouts, and can program the channel to request an interrupt when it counts down to zero. Chapter 6 covers interrupts in detail, but to use BRG interrupts software should write 1's to the BRG1 IA bit and/or BRG0 IA bit in the Status Interrupt Control Register (SICR1 and/or SICR0), as well as to the MIE and Misc IE bits in the Interrupt Control Register (ICR15 and ICR0).

4.3.3 Introduction to the DPLL

There is one Digital Phase Locked Loop (DPLL) circuit in each channel of a USC; it represents the "third stage" of the channel's clock-generation logic. The DPLL is a 5-bit counter with control logic that monitors the serial data on RxD. The **DPLLSrc** field of the Clock Mode Control Register (CMCR7-6) controls which signal the DPLL uses as its nominal or reference clock:

DPLLSrc	DPLL Reference Clock
00	BRG0 output
01	BRG1 output
10	/RxC pin
11	/TxC pin

The **DPLLDiv** field of the Hardware Configuration Register (HCR11-10) determines whether the DPLL divides this reference clock by 8, 16, or 32 to arrive at its nominal bit rate, as follows:

DPLLDiv	Nominal DPLL Clock
00	reference clock/32
01	reference clock/16
10	reference clock/8
11	Reserved (/4 for CTR1)

The 11 value cannot be used for DPLL operation, but if the DPLL isn't used, software can program this value, together with a 1 in the CTR1DSel bit (HCR13), to operate CTR1 in "divide by four" mode.

A later section describes the operation of the DPLL in greater detail, but for now it's sufficient to note that it samples the (typically encoded) data stream on RxD to produce separate receive and transmit outputs. These outputs are synchronized to the bit boundaries on RxD, and can be used as RxCLK and/or TxCLK and/or can be routed to the /RxC or /TxC pin.

4.3.4 TxCLK and RxCLK Selection

The Transmitter can take its TxCLK from any of the sources described in preceding sections, under control of the **TxCLKSrc** field of the Clock Mode Control Register (CMCR5-3):

TxCLKSrc	Source of TxCLK
000	No clock (xmitter disabled)
001	/RxC pin
010	/TxC pin
011	Tx output of DPLL
100	BRG0 output
101	BRG1 output
110	CTR0 output
111	CTR1 output

Similarly, the Receiver can take its RxCLK from various sources, under control of the **RxCLKSrc** field of the Clock Mode Control Register (CMCR2-0):

RxCLKSrc	Source of RxCLK
000	No clock (receiver disabled)
001	/RxC pin
010	/TxC pin
011	Rx output of DPLL
100	BRG0 output
101	BRG1 output
110	CTR0 output
111	CTR1 output

4.3.5 Clocking for Asynchronous Mode

For asynchronous reception, transitions on RxCLK don't have to have any relationship to transitions on RxD. When the Receiver is searching for a start bit, it samples RxD in each cycle of RxCLK, which it divides by 16, 32, or 64 to determine the bit rate. After the Receiver finds the 1-to-0 transition at the beginning of each start bit, it counts off the appropriate number of RxCLK cycles to the middle of the bit cell (8, 16, or 32). At this point it samples RxD to validate the start bit. If RxD has gone back to 1, the Receiver ignores the prior transition as line noise and goes back to searching for a start bit. If RxD is still 0, the Receiver accepts the start bit. Then it counts off 16, 32, or 64 RxCLK cycles to the middle of each subsequent bit of the character, and samples RxD at those times.

For asynchronous transmission, if a Transmitter has been idle and software then provides it with data and enables it, it drives TxD from 1 to 0 for the Start bit at the falling edge on TxCLK that follows the latter of these two steps. It applies each subsequent bit to TxD after counting off 16, 32, or 64 TxCLK cycles. When sending successive async characters, the Transmitter waits for the stop bit length programmed in the two MSBits of the TxSubMode field of the Channel Mode Register (CMR15-14), before driving TxD from 1 to 0 for a subsequent start bit. If these bits specify "shaved" operation, the Transmitter adjusts the stop bit length per the TxShaveL field of the Channel Control Register (CCR11-8).

4.3.6 Synchronous Clocking

Except in asynchronous operation, one cycle on RxCLK corresponds to one data bit on RxD, and one TxCLK cycle corresponds to one bit on TxD. In any of the synchronous modes, the clock used by the receiver to sample the data must be similar to the one used by the remote transmitter to send the data.

The simplest way to ensure this is to use a separate wire to send the clock from one station's transmitter to the other station's receiver. But often cost or the nature of the serial medium prevents this — for example, you can't send a separate clock over a telephone line. In such cases it is

common practise to encode the data so that serial stream also includes clocking information. For such applications, the USC can encode transmitted data and decode received data in any of several popular formats.

In addition, each channel's Digital Phase Locked Loop (DPLL) module can recover a synchronized RxCLK from the received data. While the DPLL can source TxCLK as well, such operation propagates some of the clock jitter from this station's receive path onto its transmit path, which may increase the error rate.

4.3.7 Stopping the Clocks

CMOS circuits like those in the USC don't draw much power compared to older technologies, but their power requirements can be reduced still further if their clock signals are stopped when the circuits don't need to operate. Most of this power savings can be obtained by having the software disable RxCLK and TxCLK by writing zeroes to the RxCLKSrc and TxCLKSrc fields (CMCR2-0 and CMCR5-3). If the Counters and Baud Rate Generators are used, power consumption is reduced further if software disables them by writing zeroes to as many as possible among CTR0Src, CTR1Src, BRG0Src, and BRG1Src (CMCR13-12, CMCR15-14, CMCR9-8, and CMCR11-10). The ultimate in power savings is obtained by having external logic stop the input clock(s) on the /RxC and/or /TxC pins.

When RxCLK is stopped, previously-received data can be read from the RxFIFO, but RxD is ignored so that no further data will arrive. A final character will be available to the software and/or the Receive DMA controller if RxCLK runs for at least three cycles after its last bit is sampled from RxD. For HDLC/SDLC this means at least 3 RxCLKs after the receiver samples the last bit of a closing Flag. For Async it means at least 3 RxCLKs after the receiver samples the stop bit of the last character.

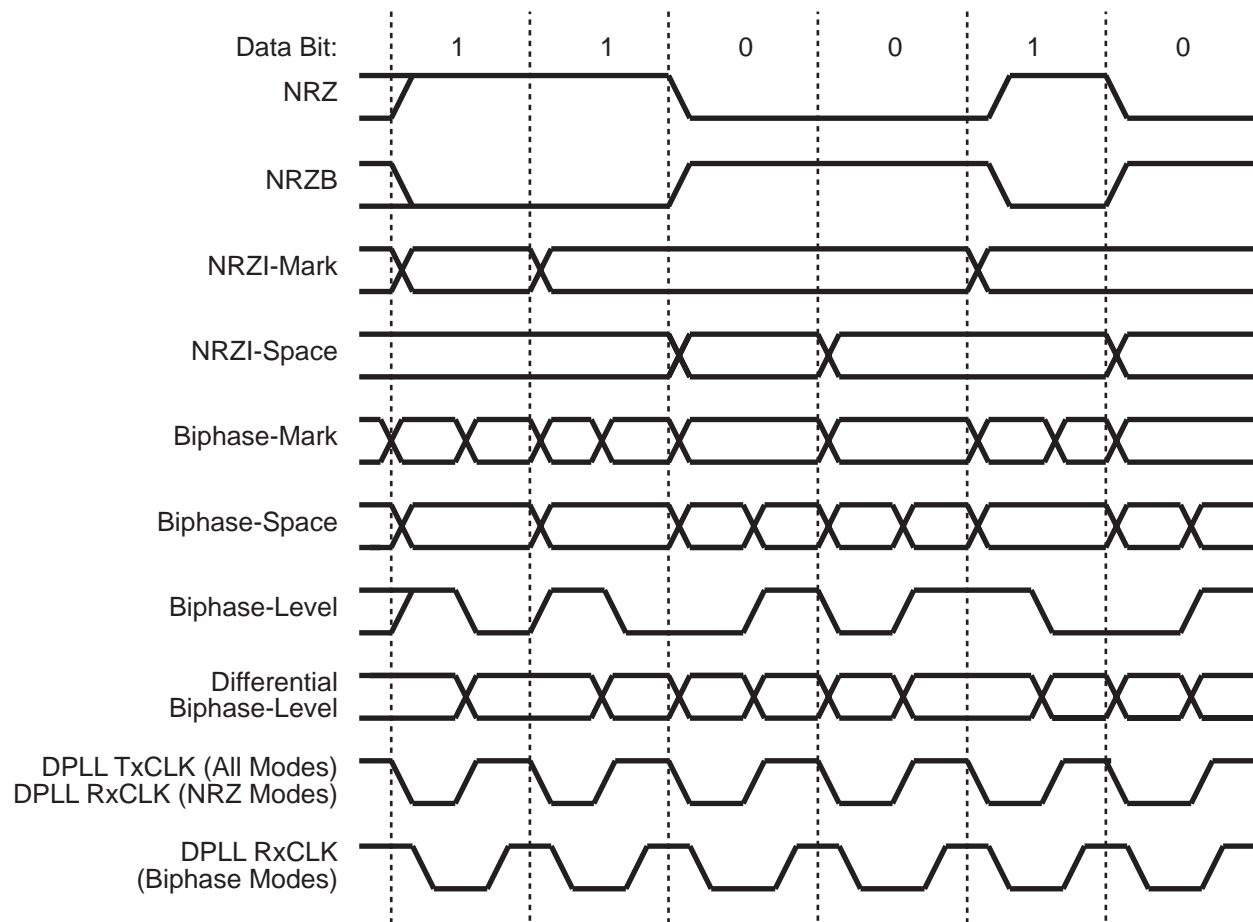
TxCLK can be stopped after the last desired bit has gone out on TxD. This is 2 or 3 TxCLKs after the last bit has left the Transmit shift register (because of the Transmit encoding logic), which in turn occurs 1 or 2 TxCLKs after the Transmitter sets the TxUnder bit (TCSR1).

4.4 DATA FORMATS AND ENCODING

The USC's Transmitter and Receiver can handle data in any of the eight formats shown in Figure 4-4. The **RxD** field in the Receive Mode Register (RMR15-13) controls the format for the Receiver, and the **TxE** field in the Transmit Mode Register (TMR15-13) controls it for the Transmitter. The channel interprets both fields as follows:

Non-Return-to-Zero (**NRZ**) mode doesn't involve any encoding: at the start of each bit cell the transmitter makes TxD low for a 0 or high for a 1. **NRZB** mode is similar except that the transmitter and receiver invert the data: a low is a 1 and a high is a 0.

xMR15-13	Data Format
000	NRZ
001	NRZB
010	NRZI-Mark
011	NRZI-Space
100	Bi-phase-Mark
101	Bi-phase-Space
110	Bi-phase-Level
111	Differential Biphase-Level



Note: No assumption is made about the starting state of the serial data in this figure. As a result, those encoding schemes that operate in terms of transitions rather than levels are shown with dual traces corresponding to their two possible starting states.

Figure 4-4. Data Formats/Encoding

4.4 DATA FORMATS AND ENCODING (Continued)

In NRZI-Mark mode, at the start of each bit cell the transmitter inverts TxD for a 1 but leaves it unchanged for a 0. In NRZI-Space mode, at the start of each bit cell the transmitter inverts TxD for a 0 but leaves it unchanged for a 1.

None of these NRZ-type modes, by itself, guarantees transitions in the data stream. However, if the serial protocol can guarantee transitions often enough, then the DPLL can use these transitions to recover a clock from the data stream. By some method the protocol must eliminate long bit sequences without transitions in the data: successive zeroes for NRZ, NRZB, and NRZI-Mark and successive ones for NRZ, NRZB, and NRZI-Space.

For example, NRZI-Space mode matches up well with HDLC and SDLC protocols, because the Transmitter inserts a extra zero into the data stream whenever the transmitted data would otherwise produce six ones in succession. Thus, there is at least one transition every seven bit times.

The reliability of clock recovery from any kind of NRZ data stream depends on guaranteed transitions, on the transmitter's and receiver's time bases being reasonably similar/accurate, and on fairly low phase distortion in the

serial medium. Such schemes have the advantage that bits can be sent at rates up to the maximum switching rate (baud rate) of the medium.

The four Bi-phase modes, on the other hand, provide highly reliable clock recovery and do not constrain the content of the data, but they limit the data rate to half the switching rate (baud rate) of the serial medium.

See the waveform for Bi-phase-Mark mode in Figure 4-4. This encoding scheme is also known as FM1. The transmitter always inverts the data at the start of each bit cell. At the midpoint of the cell it changes the data again to indicate a 1-bit, but leaves the data unchanged for a zero. In Biphase-Space mode (FM0) the transmitter always inverts the data at the start of each bit cell. In the middle of the cell it changes the data again for a zero-bit but leaves the data unchanged for a one-bit. In Biphase-Level mode (also called Manchester encoding), at the start of the bit cell the transmitter makes TxD high for a one-bit and low for a zero. It always inverts TxD in the middle of the cell. In Differential Biphase Level mode, at the start of each bit cell the transmitter inverts TxD for a zero but leaves it unchanged for a one. It always inverts TxD in the middle of the cell.

4.5 MORE ABOUT THE DPLL

While the Transmitter and Receiver must be programmed for the particular serial format to be used, the DPLL only needs to know the general category of encoding on RxD, in the **DPLLMode** field of the Hardware Configuration Register (HCR9-8):

DPLLMode	DPLL Operation/Decoding
00	DPLL disabled
01	Any NRZ mode
10	Biphase-Mark or -Space
11	Either Biphase-Level mode

In any of the NRZ modes, transitions on RxD occur only at the boundaries between bit cells. The DPLL synthesizes a clock having falling edges at bit cell boundaries and rising edges in the middle of the cells. The Transmitter changes TxD on falling edges of TxCLK and the Receiver samples data on rising edges of RxCLK.

In the Bi-phase-Mark and Bi-phase-Space encodings, there is always a transition at the boundaries between active data bits, and there may or may not be a transition at the center of each bit cell. The DPLL generates a receive clock having its falling edge 1/4 of the way through the bit cell, and its rising edge at the 3/4 point. The Receiver determines each data bit from the state of RxD at rising edges of RxCLK and checks for "missing clocks" around falling edges. The DPLL generates a Transmit clock that is the same as in NRZ modes. The Transmitter complements the state of TxD at each falling edge of TxCLK, and may or may not change TxD at rising edges, depending on the current data bit. The DPLL produces clock transitions only when it is "in sync" as described on the next page.

In the Bi-phase-Level and Differential Bi-phase-Level encodings, there is always a transition at the midpoint of each active data bit, and there may or may not be transitions at the boundaries between bit cells. The DPLL generates clocks as for Bi-phase-Mark and -Space, but must know the difference between those modes and these to do

so. The Receiver determines each data bit from the state of RxD at falling edges of RxCLK and checks for “missing clocks” around rising edges. The Transmitter may or may not change TxD at falling edges of TxCLK, depending on the current data bit. It always inverts TxD at rising edges.

RCCF Ovflo	RCCF Avail	Clear RCCF	DPLL Sync	DPLL 2Miss	DPLL 1Miss	DPLLEdge	On Loop	Send Loop	Rsrvd	TxResidue		/TxACK	/RxACK		
15	14	13	12	11	10	9	8	7	6	5	4	3	2	1	0

Figure 4-5. The Channel Command/Status Register (CCSR)

The DPLL does not include logic to track the clock frequency of the remote end in a long-term manner. Rather it is a counter that is affected by transitions on RxD, and uses the reference clock to make bit clocking that is more or less synchronized to these transitions. Figure 4-5 shows the USC’s Channel Command/Status Register. Its **DPLLEdge** field (CCSR9-8) provides further control over DPLL operation. For most applications, this field should be 00, in which case the DPLL resynchronizes its counter on both rising and falling edges on RxD.

For NRZ applications in which one kind of edge is significantly more precise than the other, software can program the DPLLEdge field to 10 or 01, to make the DPLL ignore one kind of transition. One example of such an application is a serial bus with passive external pull-ups; in such an application, falling edges are more accurate than rising edges. If DPLLEdge is 11, the DPLL never resynchronizes — that is, it runs freely like CTR0 and CTR1.

Because the blocking of edges by DPLLEdge affects missing clock detection as well as resynchronization, for Biphase operation DPLLEdge should always be programmed as 00.

In any NRZ mode, when the DPLL is in sync, it uses the selected nominal value (8, 16, or 32 cycles of its input clock) for counting off the next bit cell if a transition on RxD falls near the bit cell boundary. If a transition comes early it uses the nominal value minus 1 for the next cell, while if a transition comes late it uses the nominal value plus one. In /16 and /32 modes only, the DPLL uses the nominal value plus two for the next bit cell if a transition comes very late in a cell, and the nominal value minus two if a transition comes very early.

In Bi-phase-Mark or Bi-phase-Space modes, when the DPLL is in sync it ignores “data” transitions in the second and third quarters of the bit cell, and resynchronizes to

“clock” transitions in the fourth and first quarters of the cell. If a clock transition falls very close to the cell boundary, the DPLL uses the nominal value (8, 16, or 32) as the length of the next bit cell. Otherwise it uses the nominal value minus one if a clock transition comes early, or the nominal value plus one if a clock transition is late.

In Bi-phase-Level or Differential Bi-phase-Level modes, when the DPLL is in sync it ignores “data” transitions in the first and fourth quarters of the bit cell, and resynchronizes to “clock” transitions in the second and third quarters of the cell. If a clock transition falls close to the middle of the cell, the DPLL uses the nominal value (8, 16, or 32) as the length of the next bit cell. Otherwise it uses the nominal value minus one if a clock transition comes early, or the nominal value plus one if the clock transition is late.

In an NRZ mode, if there’s no transition in a bit cell the DPLL uses the nominal value (8, 16, or 32 clocks) as the length of the next bit cell. It also does this in Biphase modes, if there is no clock transition in a bit cell when the DPLL is in sync. In particular, in these cases the DPLL doesn’t re-apply a correction from a previous bit cell.

In Bi-phase modes, the **CVOK** bit in the Hardware Control Register (HCR12) controls whether the Receiver flags a single code violation as an error. If CVOK=0, it sets the DPLL1Miss bit for a single code violation as described below. If CVOK=1, it doesn’t report a single code violation in DPLL1Miss; use this setting when the protocol includes single code violations as normal occurrences, as in the 1533B mode that’s described in Chapter 5. Regardless of CVOK, code violations in two consecutive bit cells set the DPLL2Miss and DPLLDsync L/U bits and de-synchronize the DPLL.

4.5 MORE ABOUT THE DPLL (Continued)

After software sets up the DPLL, three bits in the Channel Command/Status Register (CCSR) provide the operating interface. The logic enters a “fast sync mode” when software writes a 1 to the **DPLLSync** bit (CCSR12), or in a Biphase mode when it detects two consecutive missing clocks. In this mode, the next RxD transition (that’s allowed by the DPLLEdge field) resynchronizes the DPLL counter and puts the DPLL “back in sync”.

The DPLL watches the RxD line for transitions, and classifies them as either clock or data. Depending on the position of transitions within each bit cell, the logic adjusts the phase of the DPLL output clock to synchronize the clock with the bit cell boundaries of the incoming data. “Fast Sync” tells the DPLL that the NEXT edge it sees is the one to synchronize to; otherwise the DPLL has to see “n” correct edges before becoming “in sync.” “n” is about three for X8 mode, six for X16, and 12 for X32.

The time required to get in sync in the worst case is thus a function of the data encoding method, as well as the data on the line. The key issue is the number of “edges” the DPLL sees on RxD.

The DPLLSync bit in the Channel Command/Status Register (CCSR12) reads as 1 if the DPLL is in sync. The **DPLL2Miss** bit (CCSR11) reads as 1 if the DPLL is in a biphase mode and has detected missing clocks in two consecutive bit cells. The **DPLL1Miss** bit (CCSR10) reads as 1 if the DPLL is in a biphase mode, the CVOK bit (HCR12) is 0, and the DPLL has detected a missing clock in at least one cell. Once DPLL2Miss or DPLL1Miss is 1, it continues to read that way until software writes a 1 to it.

Writing a 0 to any of DPLLSync, DPLL2Miss, or DPLL1Miss has no effect on the DPLL logic.

The channel sets the **DPLLDSync L/U** bit when it loses sync in a Biphase mode. This bit is similar to DPLL2Miss in that once it’s set, it stays that way until software writes a 1 to the bit to “unlatch” it. Chapter 7 explains how to program a channel so that it interrupts the host processor when it sets DPLLDSync.

4.6 THE RXD AND TXD PINS

In some sense these are the most important pins on a USC. Typically they carry the serial input to the Receiver and the serial output of the Transmitter respectively. Figure 4-6 shows the I/O Control Register. Its **TxDMode** field (IOCR7-6) allows software to control the function of TxD:

TxDMode	Function of the TxD pin
00	Totem-pole Transmitter output
01	High-impedance state
10	Low output
11	High output

Software can use the ability to drive TxD low to generate a Break condition in Asynchronous applications. The duration of such a Break is fully under software control.

The ability to put the TxD pin in a high-impedance state allows software to use the USC in “serial bus” schemes that include multiple senders on the same signal line. (But note that the TxDMode field resets to 00, so that the channel drives TxD after a Reset until the software programs TxDMode to 01.) The ability for direct programmable control over the TxD pin allows software to “bit-bang” unusual/occasional serial protocol requirements, while keeping the USC’s full power for more standard and everyday communications.

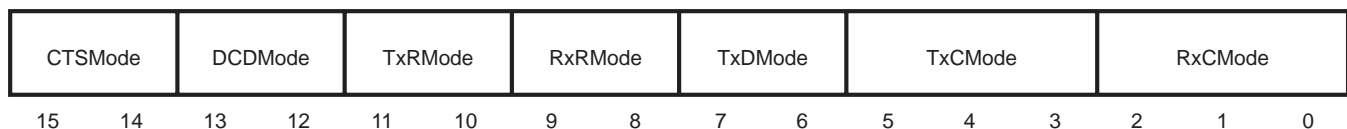


Figure 4-6. The Input/Output Control Register (IOCR)

The **RTMode** field of the Channel Command/Address register (CCAR9-8) controls the relationship between the Transmitter and the Receiver and thus between the TxD and RxD pins. It is encoded as follows:

RTMode	Operation
00	Normal operation: the Transmitter and Receiver are completely independent.
01	Echo mode: the state of the RxD pin is copied directly onto the TxD pin. Data from the Transmitter is ignored.
10	Pin Controlled Local Loop: the data from the TxD pin, as determined by the TxDMode field (IOCR7-6), is routed to the Receiver rather than the data from RxD. If TxDMode specs TxD as high impedance, the Receiver can take its input from a remote source via TxD rather than RxD.
11	Internal Local Loop: the data from the Transmitter is routed to the Receiver rather than the data from RxD, regardless of the setting of the TxDMode field (IOCR7-6).

4.7 EDGE DETECTION AND INTERRUPTS

Software can program each channel to detect rising and/or falling edges on the /CTS, /DCD, /TxC, /RxC, /TxREQ, and /RxREQ pins, and to interrupt when such events occur. Figure 4-7 shows that the Status Interrupt Control Register (SICR) includes separate Interrupt Arm (IA) bits for rising and falling edges on each of these pins. (Chapter 7 describes the USC's interrupt features in detail.) A 1 in one of these bits makes the channel detect that kind of edge, while a 0 makes it ignore such edges. This edge detection and interrupt mechanism operates without regard for whether the various pins are programmed as inputs or outputs in the I/O Control Register (IOCR).

When a channel detects an edge that's enabled in the SICR, it records the event in an internal "edge detection latch" for that input. This latch is not directly accessible in the USC's register map. Instead, as shown in Figure 4-8, the Miscellaneous Interrupt Status Register (MISR) in-

cludes two bits for each of these six pins, one called a "Latched/Unlatch" or L/U bit, and the other being a "data bit" that has the same name as the pin itself.

A hardware or software Reset sequence clears all the L/U bits to zero. While the L/U bit for a pin is 0, the associated data bit reports and tracks the state of the pin in a "transparent" fashion, with a 1 indicating a low and a 0 indicating a high.

Whenever a pin's L/U bit is 0 and its internal edge-detection latch is set, the channel sets the L/U bit to 1, clears the detection latch, and sets the I/O Pin Interrupt Pending (IOP IP) bit. IOP IP can be read and cleared (and if necessary set) in the Daisy Chain Control Register (DCCR1). Chapter 7 describes how the I/O Pin Enable and Master Interrupt Enable bits determine whether the IP bit actually results in an interrupt request to the processor.

4.7 EDGE DETECTION AND INTERRUPTS (Continued)

RxCDn IA	RxCUp IA	TxCDn IA	TxCUp IA	RxRDn IA	RxRUp IA	TxRDn IA	TxRUp IA	DCDDn IA	DCDUp IA	CTSDn IA	CTSup IA	RCC Under IA	DPLL DSync IA	BRG1 IA	BRG0 IA
15	14	13	12	11	10	9	8	7	6	5	4	3	2	1	0

Figure 4-7. The Status Interrupt Control Register (SICR)

RxCL/U	/RxC	TxCL/U	/TxC	RxRL/U	/RxREQ	TxRL/U	/TxREQ	DCDL/U	/DCD	CTSL/U	/CTS	RCC Under L/U	DPLL DSync L/U	BRG1 L/U	BRG0 L/U
15	14	13	12	11	10	9	8	7	6	5	4	3	2	1	0

Figure 4-8. The Miscellaneous Interrupt Status Register (MISR)

While an L/U bit is 1, the state of the associated data bit is frozen (latched). These two bits remain in this state, regardless of further transitions on the pin, until software writes a 1 to the L/U bit. This clears the L/U bit to 0 and “opens” the data latch to once again report and track the state of the pin, at least for an “instant”. If one or more enabled transitions occurred while the L/U bit was set, then L/U is set again right after software writes the 1 to it.

Writing a 0 to an L/U bit has no effect, and the channel ignores data written to the “data” bits.

One mode in which software can use this logic is to read the MISR, then immediately write back what it has read. The software should then look for 1’s in any and all “interesting” L/U bits, and process/handle all such changes without rereading the MISR. To obtain the current state of one of these pins, regardless of the L/U bit, software can write a 1 to the L/U bit and then immediately read back the MISR.

4.8 THE /DCD PIN

The **DCDMode** field of the I/O Control Register (IOCR13-12) controls the function of this pin:

DCDMode	Function of the /DCD pin
00	Low-active Rx Carrier input
01	Low-active Rx Sync input
10	Low output
11	High output

When DCDMode is 00, software can handle the Carrier indication all by itself. Or, the /DCD signal can enable and disable the Receiver in hardware if software also programs the RxEnable field of the Receive Mode Register (RMR1-0) to 11. In the latter case, the Receiver starts assembling a character only when /DCD is low; if /DCD goes high during a received character, the Receiver aborts/discards it. Figure 4-9 shows how the required relationship between /DCD and RxD varies depends on the Receiver mode:

- For isochronous mode, /DCD should set up low to the rising edge of RxCLK at which the receiver samples the start bit on RxD.
- For monosync, bisync, and transparent bisync, /DCD should set up low to the rising edge of RxCLK that precedes the one at which the receiver samples the first bit of the last sync pattern before the message.
- For HDLC/SDLC mode, /DCD should set up low to the rising edge of RxCLK at which the receiver samples the ending 0 of the last Flag before the frame.

DCDMode=01 identifies the /DCD pin as an input from external sync detection logic. Software typically programs this value in conjunction with programming the RxMode field of the Channel Mode Register (CMR3-0) with 0001 for External Sync operation or 1001 for 802.3 (Ethernet) operation. For External Sync mode, external logic should drive the /DCD pin low so that it sets up to the rising edge of RxCLK before the one at which the Receiver should capture the first data bit. For 802.3 /DCD should go low when carrier is detected — a figure in Chapter 5 shows that the timing relationship to RxD isn't critical but /DCD should go low no later than 6 bits into the 64 alternating bits that precede the frame. The Receiver starts sampling RxD at the same rising edge of RxCLK at which it first samples /DCD low. If /DCD goes high during a received character, the Receiver completes receiving the character and transfers it to the Receive FIFO before going inactive.

Sync conditions generated internal to the channel are not output on this pin as on certain predecessor devices, but can be output on the /RxC pin as described later.

The /DCD pin can alternatively be used as a general-purpose output. To do this, simply program DCDMode to 10 to make the channel drive /DCD low, and to 11 to drive the pin high. For such an application the designer may want to connect a pull-up or pulldown resistor to the /DCD pin, because the channel will not drive the pin from the time /RESET goes low until the software programs DCDMode to 10 or 11.

4.8 THE /DCD PIN (Continued)

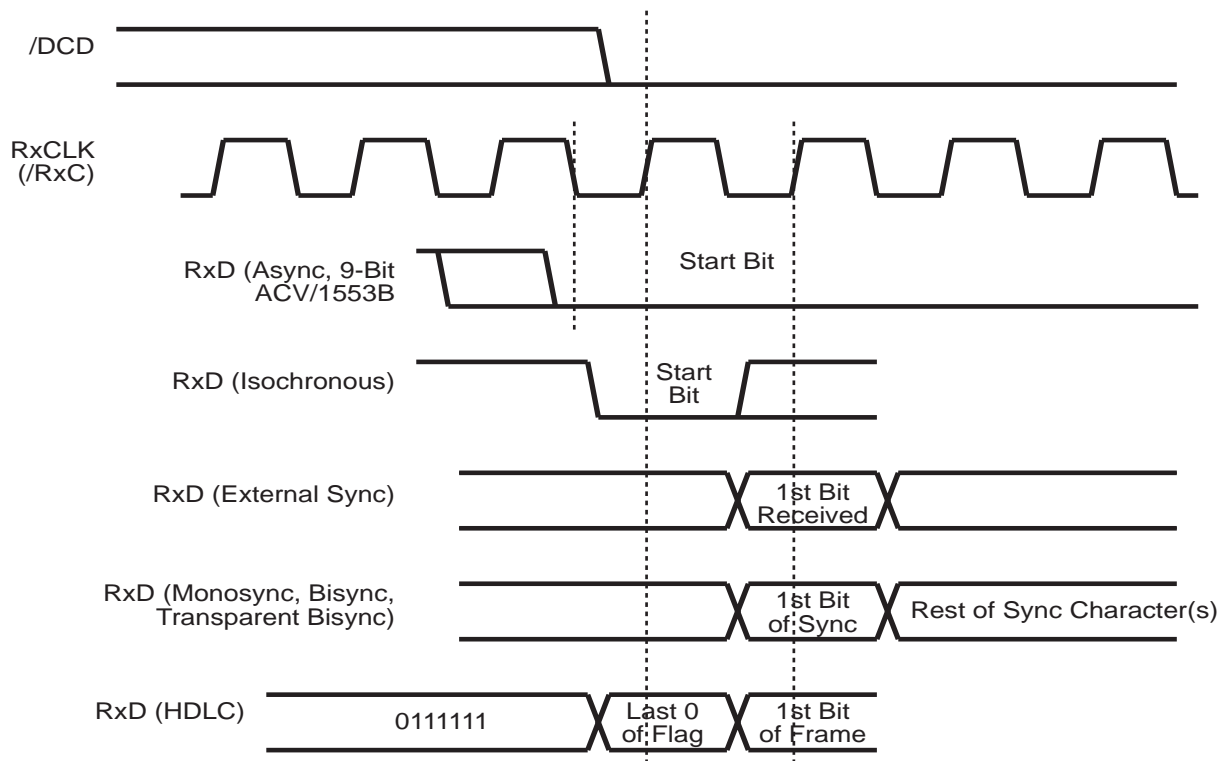


Figure 4-9. /DCD Auto-Enable Timing

Software can program a channel to interrupt the host processor on either or both edges on /DCD, as described in the preceding section. Typically such interrupts would be used when /DCD is an input, that is, when `DCDMode` is 00 or 01. Software should write a 1 to the **DCDDn IA** bit in the Status Interrupt Control Register (SICR7) to make a channel detect falling edges on /DCD, and write a 1 to **DCDUp IA** (SICR6) to make it detect rising edges.

As described in the preceding section, the **DCDL/U** bit (MISR7) is 1 if the channel has detected an enabled edge, until software writes a 1 to the bit to clear it. The **/DCD** bit (MISR6) reflects the state of the /DCD pin transparently while `DCDL/U` is 0, but is frozen while `DCDL/U` is 1. `MISR6=0` indicates a high on the pin, and 1 indicates a low.

4.9 THE /CTS PIN

The **CTSMODE** field of the I/O Control Register (IOCR15-14) controls the function of this pin:

CTSMODE	Function of the /CTS pin
0x	Low-active Clear to Send input
10	Low output
11	High output

When CTSMODE is 00 or 01, software can handle the Clear to Send input all by itself. Alternatively, the /CTS input can enable and disable the Transmitter in hardware, if software writes 11 to the TxEnable field of the Transmit Mode Register (TMR1-0). In the latter case, the Transmitter will start sending a character only when /CTS is low. As shown in Figure 4-10, if the Transmitter is otherwise “ready to go” when /CTS goes low, the first bit active bit on TxD will begin at the falling edge of TxCLK that is 4.5 clock periods after the rising edge of TxCLK at which the Transmitter first samples /CTS low.

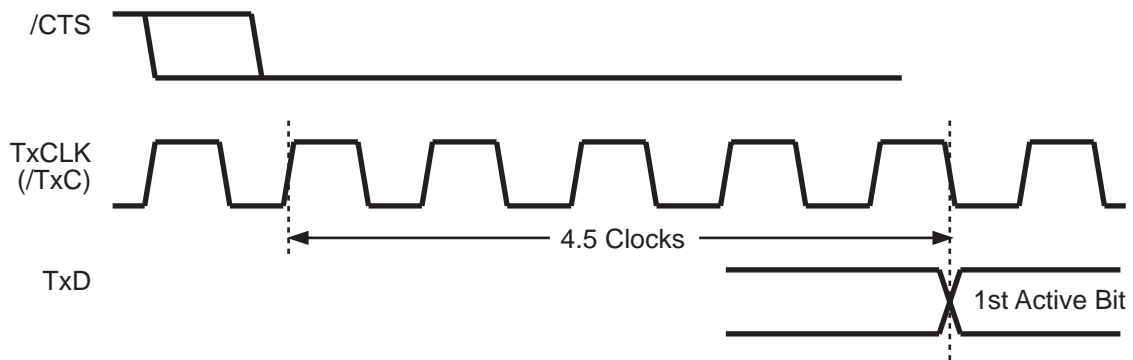


Figure 4-10. /CTS Auto-Enable Timing

If /CTS goes high during a transmitted character in an asynchronous mode, the Transmitter finishes sending the character before going inactive. In the same situation in a synchronous mode, the Transmitter terminates transmission immediately.

The /CTS pin can alternatively be used as a general-purpose output. To do this, simply program CTSMODE to 10 to make the channel drive /CTS low, and to 11 to make it drive the pin high. For such applications the designer may want to connect a pull-up or pulldown resistor to the /CTS pin, because the channel won't drive the pin from the time /RESET goes low until the software programs CTSMODE to 10 or 11.

Software can program a channel to interrupt the host processor on either or both edges on /CTS, as described in the earlier section "Edge Detection and Interrupts". Typically such interrupts would be used when /CTS is an input, that is, when CTSMODE is 00 or 01. Software should write a 1 to the **CTSDn IA** bit in the Status Interrupt Control Register (SICR5) to make a channel detect falling edges on /CTS, and write a 1 to **CTSUp IA** (SICR4) to make it detect rising edges.

As described in Edge Detection and Interrupts, the **CTSL/U** bit (MISR5) is 1 if the channel has detected an enabled edge, until software writes a 1 to the bit to clear it. The **/CTS** bit (MISR4) reflects the state of the /CTS pin transparently while CTSL/U is 0, but is frozen while CTSL/U is 1. MISR4=0 indicates a high on the pin, and 1 indicates a low.

4.10 THE /RXC AND /TxC PINS

Figure 4-1 shows each channel's options for the function of its /RxC and /TxC pins. The **RxCMode** field in the Input/Output Control Register (IOCR2-0) controls the function of /RxC:

RxCMode	Function of the /RxC pin
000	/RxC is an input
001	/RxC outputs RxCLK
010	/RxC outputs Rx Character Clock
011	/RxC outputs /RxSYNC
100	/RxC carries the BRG0 output
101	/RxC carries the BRG1 output
110	/RxC carries the CTR0 output
111	/RxC carries the DPLL Rx output

while the **TxCMode** field (IOCR5-3) controls the function of the /TxC pin:

TxCMode	Function of the /TxC pin
000	/TxC is an input
001	/TxC outputs TxCLK
010	/TxC outputs Tx Character Clock
011	/TxC outputs "Tx Complete"
100	/TxC carries the BRG0 output
101	/TxC carries the BRG1 output
110	/TxC carries the CTR1 output
111	/TxC carries the DPLL Tx output

Some of these possible outputs need further description. A channel drives its Rx Character Clock high for one RxCLK period as it transfers each character from the Receive shift register to the Receive FIFO. Similarly, it

drives its Tx Character Clock high for one TxCLK period each time it transfers a character from the Transmit FIFO to the Transmit shift register. A channel's /RxSYNC output goes low for one RxCLK cycle each time its Receiver recognizes a Sync or Flag sequence. The Tx Complete output is suitable for controlling a driver on TxD. It is low from the start of the first active bit of a sequence of one or more consecutively-transmitted characters, through the end of the last bit of the sequence. The BRG and CTR outputs are square waves. The DPLL outputs were shown earlier in this chapter.

While it's not very useful to employ a high-speed free-running clock as a source of interrupt events, for other uses of /RxC and /TxC software can program a channel to interrupt the host processor on either or both edges on these pins, as described in the earlier section Edge Detection and Interrupts. Typically such interrupts would be used for an input pin, that is, when RxCMode or TxCMode is 00 or 01. Software should write a 1 to the **RxCdN IA** or **TxCdN IA** bit in the Status Interrupt Control Register (SICR15 or SICR13) to make a channel detect falling edges on /RxC or /TxC, and write a 1 to **RxCUp IA** or **TxCUp IA** (SICR14 or SICR13) to make it detect rising edges.

As described in Edge Detection and Interrupts, the **RxCL/U** or **TxCL/U** bit (MISR15 or MISR13) is 1 if the channel has detected an enabled edge, until software writes a 1 to the bit to clear it. The **/RxC** or **/TxC** bit (MISR14 or MISR12) reflects the state of the pin transparently while the L/U bit is 0, but is frozen while the L/U bit is 1. A 0 in MISR14 or MISR12 indicates a high on the pin, and 1 indicates a low.

4.11 THE /RXREQ AND /TXREQ PINS

The **RxRMode** and **TxRMode** fields of the I/O Control Register (IOCR9-8 and IOCR11-10 respectively) control the function of these pins:

XxRMode	Function of /XxREQ pin
00	Input pin
01	DMA Request output (or Interrupt Request)
10	Low output
11	High output

Chapter 6 describes the DMA Request function, whereby a channel signals an off-chip DMA controller when its TxFIFO or RxFIFO reaches a programmed degree of “readiness” for DMA data transfer.

Chapter 7 suggests another use for these pins if they're not used as DMA requests, namely as interrupt request outputs that are separate from /INT. This is advantageous in a system in which the host processor and bus provide multiple interrupt request levels and the software uses them for nested interrupts. See 'Using /RxREQ and /TxREQ as Interrupt Requests' in Chapter 7 for more details.

Software can program a channel to interrupt the host processor on either or both edges on these pins, as described in the earlier section 'Edge Detection and Interrupts'. Typically such interrupts would be used for an input pin, that is, when RxRMode or TxRMode is 00. Software should write a 1 to the **RxRDn IA** or **TxRDn IA** bit in the Status Interrupt Control Register (SICR11 or SICR9) to make a channel detect falling edges on /RxREQ or /TxREQ, and program **RxRUp IA** or **TxRUp IA** (SICR10 or SICR8) to 1 to make it detect rising edges.

As described in Edge Detection and Interrupts, the **RxRL/U** or **TxRL/U** bit (MISR11 or MISR9) is 1 if the channel has detected an enabled edge, until software writes a 1 to the bit to clear it. The **/RxR** or **/TxR** bit (MISR10 or MISR9) reflects the state of the pin transparently while the L/U bit is 0, but is frozen while the L/U bit is 1. A 0 in MISR10 or MISR9 indicates a high on the pin, and 1 indicates a low.

4.12 THE /RXACK AND /TXACK PINS

The **RxAMode** and **TxAMode** fields of the Hardware Configuration Register (HCR3-2 and HCR7-6 respectively) control the function of these pins:

XxAMode	Function of /XxACK pin
00	General-purpose input
01	DMA Acknowledge input
10	Low output
11	High output

Chapter 6 describes the DMA Acknowledge function, whereby an off-chip DMA controller signals a USC channel that a “flyby” or single-cycle DMA operation is occurring in response to the channel's assertion of the corresponding REQ pin, and that the channel should provide data on, or capture data from, the AD pins.

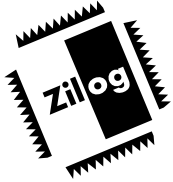
The USC does not provide transition-detection, latching, or interrupt capabilities for the /RxACK and /TxACK pins as it does for most of the other signals described in this chapter. Therefore, if these pins aren't used as DMA Acknowledge inputs, they can be used either for outputs or for noncritical polled inputs.

The two LSBits of the Channel Command/Status Register (CCSR1 and CCSR0) allow software to sense the state of a channel's ACK pins if they're used as general-purpose inputs. Figure 4-5 shows the CCSR. Its **/TxACK** and **/RxACK** bits are forced to 0 unless the corresponding TxAMode or RxAMode field in the HCR is 00, in which case the bit reads back as a 0 when the /TxACK or /RxACK pin is high and 1 when the pin is low.

© 1997 by ZiLog, Inc. All rights reserved. No part of this document may be copied or reproduced in any form or by any means without the prior written consent of ZiLog, Inc. The information in this document is subject to change without notice. Devices sold by ZiLog, Inc. are covered by warranty and patent indemnification provisions appearing in ZiLog, Inc. Terms and Conditions of Sale only. ZiLog, Inc. makes no warranty, express, statutory, implied or by description, regarding the information set forth herein or regarding the freedom of the described devices from intellectual property infringement. ZiLog, Inc. makes no warranty of merchantability or fitness for any purpose. ZiLog, Inc. shall not be responsible for any errors that may appear in this document. ZiLog, Inc. makes no commitment to update or keep current the information contained in this document.

ZiLog's products are not authorized for use as critical components in life support devices or systems unless a specific written agreement pertaining to such intended use is executed between the customer and ZiLog prior to use. Life support devices or systems are those which are intended for surgical implantation into the body, or which sustains life whose failure to perform, when properly used in accordance with instructions for use provided in the labeling, can be reasonably expected to result in significant injury to the user.

ZiLog, Inc. 210 East Hacienda Ave.
Campbell, CA 95008-6600
Telephone (408) 370-8000
Telex 910-338-7621
FAX 408 370-8056
Internet: <http://www.zilog.com>



CHAPTER 5

SERIAL MODES AND PROTOCOLS

5.1 INTRODUCTION

The main advantage of USC[®] family members is that they can communicate in many different modes and serial protocols. This, in turn, makes for more flexible and capable products for Zilog's customers. This chapter de-

scribes how to set up and use the USC in its various modes of serial operation. These modes can be classified into three major categories: asynchronous, character-oriented synchronous, and bit-oriented synchronous protocols.

5.2 ASYNCHRONOUS MODES

Figure 5-1 shows how a "start bit" precedes each character in async communications, and that so-called "stop bits" separate characters. A start bit is a period of space/zero that's the same length as each following data bit. Each stop bit is a period of mark/one that's more than half a bit time long, with a typical minimum duration of one bit time. (The USC and other devices offer the ability to "shave" stop bits to less than a bit time.) In most forms of async, the falling edge between a stop bit and the next start bit can come any time after this minimum stop bit duration. In other words, the length of the stop bit does not have to be any particular multiple of the nominal bit time.

To handle this variability in the length of stop bits, asynchronous receivers "oversample" the received serial data at some multiple of the nominal bit frequency. Software can set up a USC Receiver to do this at 16, 32, or 64 samples/bit. When a Receiver is waiting for a start bit and successive samples reveal a falling edge, it typically samples again one-half bit time later, to validate the start bit. If the serial data is still space/zero, the receiver then samples the following data bits and stop bit at their nominal centers after that. If the hardware samples the stop bit as space/zero, the associated character is invalid or at least highly suspect.

Some async protocols check further for serial link errors by including a parity bit with each character. The transmitter generates such a bit so that the total number of 1 bits in the character is odd or even. The receiving station checks each parity bit. If it finds an incorrect one, it discards the character and/or notifies the operator(s) of the receiving and/or transmitting machine(s). But a single parity bit is not a very reliable checking method — it can be easily deceived by errors that affect more than one bit. Few async applications use parity checking nowadays, although they may generate it, in case they find themselves talking to equipment that does. Where protection against line errors is important, some async applications may use block-oriented checking as described below for synchronous protocols.

Each USC channel can handle a variety of options within "classic" async operation, plus several unique variants. In isochronous mode, the data format is similar to classic async, but external hardware supplies a bit-synchronized 1x clock instead of a 16x, 32x, or 64x clock. In Nine-Bit mode, an extra bit differentiates between "address" characters that select a particular destination on a multi-station link, and subsequent data characters.

5.2 ASYNCHRONOUS MODES (Continued)

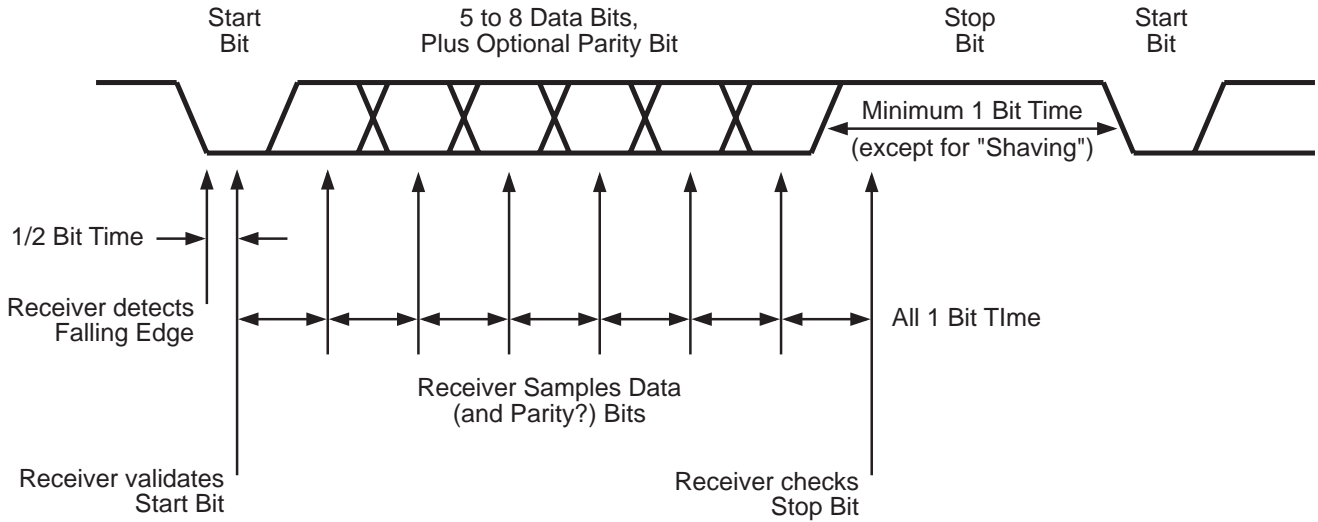


Figure 5-1. Asynchronous Data

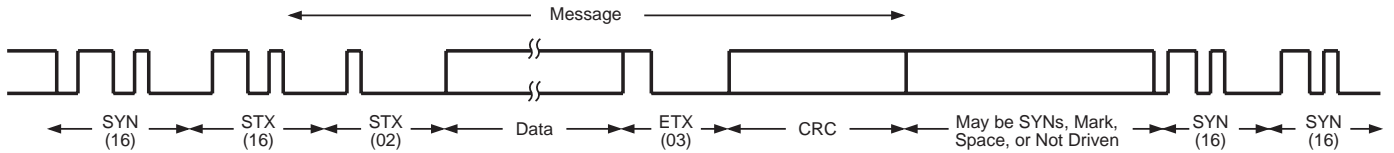


Figure 5-2. Character Oriented Synchronous Data

5.3 CHARACTER ORIENTED SYNCHRONOUS MODES

These protocols came into use after async, in an effort to get better line utilization by eliminating start and stop bits. In sync modes, characters follow one another directly on the serial link, each consisting of an agreed-upon number of bits and each bit having the same nominal length. Since bits and characters occur at regular intervals, the datacom hardware can typically handle higher bit rates because it doesn't have to oversample as in typical async applications. This effect combines with having fewer bits per character, to make synchronous operation substantially faster than async.

In character oriented sync modes, "special" characters divide the data into "messages". Figure 5-2 shows how the transmitter sends some minimum number of agreed-upon "sync characters" between messages. When a synchronous receiver begins to receive a message, it typically starts in a "search mode" in which it samples successive bits into its serial-to-parallel shift register. It does this until the last N bits match a defined sync pattern. Then the Receiver enters a mode in which it simply captures each succeeding group of bits as a character.

Most sync protocols require the receiving station to validate the sync pattern match. It can do this by checking whether the next character is another sync, an agreed-upon "start of message" character, or perhaps one of a small set of such characters. This validation can be done by software or by hardware.

Almost all character-oriented synchronous protocols also define one or more characters, or sequences of characters, to mark the end of a message. Instead of (or sometimes besides) parity checking on each character, synchronous protocols will typically include a checking code covering most or all the characters in each message. The transmitter accumulates and sends this code before or after the end-of-message character or sequence. Early sync protocols used a Longitudinal Redundancy Character (LRC) that was simply the parallel Exclusive Or of the characters in the message. Newer protocols use various kinds of Cyclic Redundancy Checking (CRC) which offer greater reliability in exchange for a somewhat more involved method of computation. Either kind of message checking can be computed by either hardware or software at the Transmitter and Receiver. The USC channels can automatically generate and check various kinds of CRCs in synchronous modes.

Synchronous applications vary considerably in terms of the line state between messages. In half-duplex operation, each station typically stops driving the line after the end of a message. The other side then starts driving it to "turn the line around". In full-duplex point-to-point environments, a transmitter may send a stream of repeated Sync or Idle characters between messages. This maintains synchronization between itself and the remote receiver as to character boundaries. This avoids the need to send several sync characters before the start of the next message, when it becomes available for transmission. In other full-duplex environments, the line may be maintained at a constant Mark or Space between messages.

While many modes have several variants, the top level of a USC channel's control hierarchy includes the following character-oriented synchronous modes. In Monosync mode, the hardware transmits or matches a sync character of eight bits or less. Software must handle further receive-sync validation. In Bisync mode the hardware transmits or matches a minimum of two sync characters. The two can be the same or different codes, each of eight bits or less. Transparent Bisync mode is similar to Bisync mode except that the prefix character Data Link Escape (DLE) precedes control characters. This allows the transmission of arbitrary "binary" data without conflict with the various control characters. Slaved Monosync mode applies only to the Transmitter, making it operate in conformance with the X.21 standard, such that it sends characters in byte-synchronism with those received. External Sync mode applies only to the Receiver, and leaves all sync-detection and framing control to external circuitry. An input signal simply enables the Receiver to assemble characters from the RxD line.

The final character-oriented synchronous mode of the USC channels provides basic facilities for IEEE 802.3 (Ethernet) operation. At the start of a frame, the Transmitter generates, and the Receiver detects, a preamble consisting of alternating 0 and 1 bits ending with two 1's in succession. Bi-phase-level data encoding must be selected in the Transmit and Receiver Mode Registers (TMR and RMR), as described in Chapter 4. External hardware must be provided to detect collisions and to signal the Transmitter when they occur. External hardware also must signal the Receiver when a frame ends based on loss of carrier. Upon collision detection, "back-off" timing must be determined by external hardware or host processor software.

5.4 BIT ORIENTED SYNCHRONOUS MODES

As character-oriented synchronous protocols came into wider use in the 1960's and 70's, the number of characters having special significance for the hardware kept increasing. Hand in hand with this, the complexity of the required hardware processing and state machines rose drastically. Particularly troublesome was data "transparency", the ability to transmit any kind of "binary" data without conflict with the various control characters used in these protocols.

These problems might be less severe were they occurring today. But given the technology available in the 1960's, the proliferation of sync protocols was making it harder and harder to build general-purpose datacom hardware. Instead, one had to build dedicated communications controllers for each protocol.

Bit oriented synchronous protocols were a response to these problems. IBM's SDLC was the first one widely used; subsequent standardization efforts added several refinements in defining HDLC. These protocols simultaneously minimized the amount of required hardware support, while lifting all restrictions on the content of the data transmitted.

Figure 5-3 shows how in bit-oriented modes, a frame is a group of sequential characters ending with a CRC code to verify its correctness, as in character-oriented protocols. The difference lies in the Flag sequences used to begin, end, and separate frames.

When a bit-oriented synchronous Receiver starts to receive a frame, it looks for a Flag sequence (01111110) just as a character-oriented synchronous Receiver looks for its sync character. While sending a frame, a bit-oriented synchronous Transmitter continually checks whether any sequence of data bits could look like a Flag. It does this without regard for character boundaries. Whenever the data presented to a Transmitter includes a zero followed by five ones, the Transmitter adds an extra zero-bit after the fifth one-bit. Correspondingly, a bit-oriented synchronous Receiver monitors the serial data stream within a frame; any time it sees 0111110, regardless of character boundaries, it deletes the trailing zero.

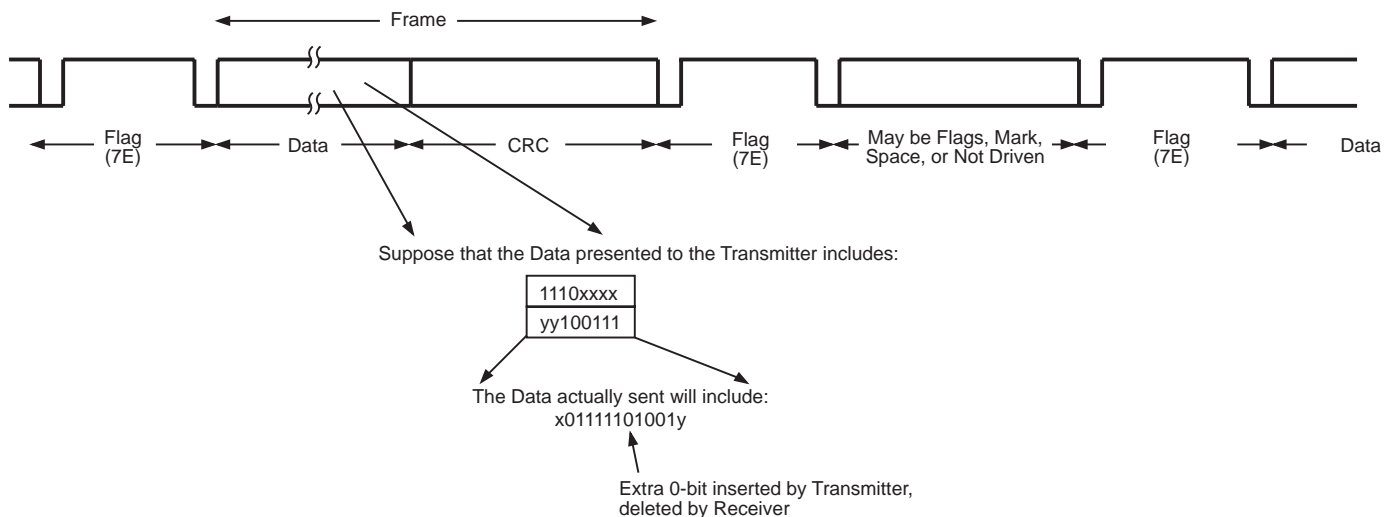


Figure 5-3. HDLC/SDLC Data

This relatively simple technique allows transmission of any kind of data and assures uniqueness of the Flag sequence within the data stream. (Uniqueness is assured as long as line errors don't occur.) This makes for simpler hardware than with some character-oriented synchronous protocols, in that the hardware only has to recognize a few bit sequences. They include 01111111 for zero-bit-stuffing by a Transmitter, 01111110 for bit removal by a Receiver, a Flag sequence, and finally an Abort sequence. An Abort is a zero followed by 7 or more ones.

As mentioned in the previous chapter, SDLC/HDLC protocols match up well with NRZI-Space encoding to ensure data transitions for clock resynchronization. This is because the Transmitter inverts NRZI-space data for every 0-bit and there are never more than five 1-bits in succession within a frame.

Finally, since the Flag-matching hardware operates without regard for character boundaries, bit-oriented synchronous protocols can handle frames that are any number of bits in length. (In character-oriented synchronous protocols, messages must be composed of an integer number of characters.)

The USC can handle most variations of SDLC and HDLC protocols, since it leaves the details of almost all such variations to the host software. One variation with hardware significance is Loop mode. In this mode, the Transmitter can forward received data from the "preceding" station in a loop of stations to the "next" one in the loop. When this station has a frame to send, host software can load the start of the frame into the Tx FIFO and then enable the Transmitter. The Transmitter then waits until it detects the transmit-permission token called Go Ahead, which is the same as the short-Abort sequence 01111111 in HDLC/SDLC mode. The Transmitter then changes this character to a Flag and begins transmitting.

5.5 THE MODE REGISTERS (CMR, TMR AND RMR)

Three Mode registers in each channel of the USC control the basic operation and serial protocol of the channel's Transmitter and Receiver.

The Channel Mode Register (CMR) selects among the various communication protocols mentioned in the preceding sections. Figure 5-4 shows that the MSbyte controls the mode of the Transmitter, while the LSbyte controls that of the Receiver. Software can select the modes of the two modules independently by writing bytes to the CMR, or, on a 16-bit bus, it can set both modes simultaneously using a 16-bit write.

Within each byte, the four LSbits select the major communications protocol. The coding for these fields is similar but not identical because some modes apply only to the Transmitter while others apply only to the Receiver:

Value	TxMode (CMR11-8)	RxMode (CMR3-0)
0000	Asynchronous	Asynchronous
0001	—	External Sync
0010	Isochronous	Isochronous
0100	Monosync	Monosync
0101	Bisync	Bisync
0110	HDLC/SDLC	HDLC/SDLC
0111	Transp. Bisync	Transp. Bisync
1000	Nine-Bit	Nine-Bit
1001	802.3 (Ethernet)	802.3 (Ethernet)
1010	—	—
1011	—	—
1100	Slaved Monosync	—
1101	—	—
1110	HDLC/SDLC Loop	—
1111	—	—

Zilog reserves values shown above as "—" for future use; they should not be programmed in the indicated field.

5.5 THE MODE REGISTERS (CMR, TMR AND RMR) (Continued)

Later sections describe each of these modes and protocols individually, including the significance of the Tx and RxSubMode bits (CMR15-12 and CMR7-4 respectively) in each case. The various major modes use the SubMode bits differently, to control protocol variations and options that are specific to each mode. (Sometimes the same SubMode option applies to two or more related major modes.)

The TxMode field should be changed only while the Transmitter is disabled in the TMR, as described in the next section. Similarly, the RxMode field should be changed

only while the Receiver is disabled in the RMR. While it's possible to change the TxSubMode or RxSubMode fields while the Transmitter or Receiver is operating, the options provided by these fields are typically static in nature and the need to change them should seldom arise.

The Transmit and Receive Mode Registers (TMR and RMR) contain basic control information for the Transmitter and Receiver, including the serial format and data-integrity checking. Figures 5-5 and 5-6 show the TMR and RMR respectively.

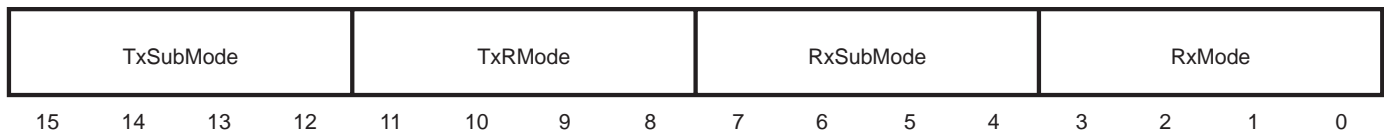


Figure 5-4. The Channel Mode Register (CMR)

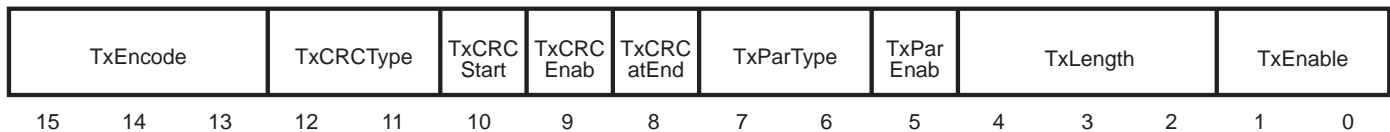


Figure 5-5. The Transmit Mode Register (TMR)

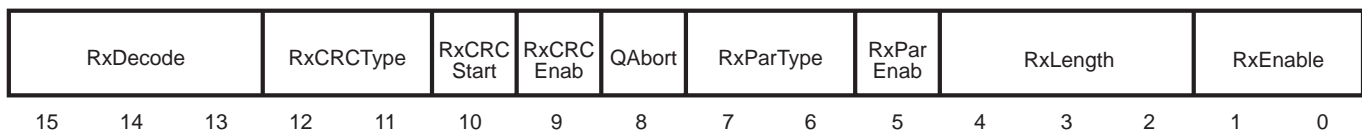


Figure 5-6. The Receive Mode Register (RMR)

5.5.1 Enabling and Disabling the Receiver and Transmitter

The **TxEnable** and **RxEnable** fields (TMR1-0 and RMR1-0) enable and disable the Transmitter and Receiver to send and receive serial data. 00 in TxEnable disables the Transmitter, so that it keeps its output inactive and doesn't transfer characters from the Tx FIFO to its shift register. Assuming that the TxDMoDe field (IOCR7-6) is 00 to propagate the Transmitter's output onto TxD, the pin is a constant Mark/high if the MSBit of the TxIdle field (TCSR10) is 1 and/or the TxEncode field (TMR15-14) is 000 indicating NRZ data. If TxDMoDe is 00, TCSR10 is 0, and TxEncode is non-zero, the TxD pin carries encoded ones.

If software changes TxEnable to 00 while the Transmitter is sending a character, it discards the character and disables its output immediately. Similarly, 00 in RxEnable disables the Receiver: it ignores the RxD pin and doesn't assemble characters. If software changes this field to 00 while the Receiver is assembling a character, it discards the partial character.

01 in TxEnable or RxEnable disables the Transmitter or Receiver in a more "graceful" way than 00. If software changes TxEnable to 01 while the Transmitter is sending asynchronous data, it finishes sending the current character before going inactive. If software changes TxEnable to 01 while the Transmitter is sending synchronous data, it finishes sending the current frame or message before going inactive. If software changes RxEnable to 01 while the Receiver is receiving asynchronous data, it finishes assembling the current character before going inactive. If software changes RxEnable to 01 while the Receiver is receiving synchronous data, it finishes receiving the current frame or message before going inactive.

10 in TxEnable or RxEnable enables the Transmitter or Receiver unconditionally.

11 in TxEnable places the Transmitter under the control of the /CTS pin. /CTS should be programmed as an input in the CTSMoDe field of the Input/Output Control Register (IOCR15-14). In this case, the Transmitter only starts sending a character when /CTS is low. If /CTS goes high while the Transmitter is sending a character in an async mode, it finishes sending the character before going inactive. In any synchronous mode, /CTS high summarily disables the Transmitter. In either case, sooner or later, /CTS high forces TxD to Mark or ones as described above for TxEnable=00.

11 in RxEnable places the Receiver under the control of the /DCD pin. /DCD should be programmed as an input in the DCDMoDe field of the Input/Output Control Register (IOCR13-12). The Receiver ignores the RxD pin and does not assemble characters when /DCD is high. If /DCD goes high while the Receiver is assembling a character in External Sync mode or 802.3 (Ethernet) mode, it finishes assembling the character and places it in the Rx FIFO before going inactive. In any other mode the Receiver discards any partial character when /DCD goes high.

5.5.2 Character Length

The **TxLength** and **RxLength** fields (TMR4-2 and RMR4-2) control how many bits the Transmitter sends and the Receiver assembles in each character. The channel interprets both fields as follows:

xMR4-2	Character Length
000	8 bits
001	1-bit
010	2 bits
011	3 bits
100	4 bits
101	5 bits
110	6 bits
111	7 bits

When TxLength specifies less than 8 bits, the Transmitter discards/ignores one or more of the more-significant bits of each byte that it takes from the Tx FIFO.

When RxLength specifies less than 8 bits, the Receiver replicates the most significant received bit in the more significant bits of each byte it places in the Rx FIFO. For Async mode, it includes a received Parity bit, if any, in each data byte. If RxLength, plus the Parity bit if any, is less than 8 bits, the Receiver fills out the more-significant bits of each byte with the Stop bit, which is 1 except when there's a Framing Error.

5.5.2 Character Length (Continued)

When RxLength is less than eight in synchronous modes including HDLC/SDLC, the Receiver fills out the more significant bits of each byte with the last received bit (the parity bit if one is used), except in three cases:

1. In Monosync and Bisync modes, when CMR4 is 1 so that sync characters are 8 or 16 bits long, but data characters contain less than 8 bits, each data character is left-justified in its byte.
2. In HDLC/SDLC mode, when CMR5-4 are non-zero so that address and control characters are 8 bits long but subsequent characters are less than 8 bits long, each subsequent character is left-justified in its byte.
3. In HDLC/SDLC mode, if the frame doesn't end on a character boundary, its final data bits are left-justified within the (right-justified) number of bits specified by RxLength, unless case 2 also applies, in which case they're left-justified in the last byte. (The number of bits in the last character of each HDLC/SDLC frame is always indicated in the RxResidue field of the RCSR.)

In any of these three cases of left-justified data, the less-significant bits are left over from the previous character.

If software enables parity checking in an asynchronous mode, the Transmitter and Receiver handle the parity bit as an additional bit after the number of bits defined by TxLength and RxLength. If software selects parity checking in a synchronous mode, the Transmitter and Receiver handle the parity bit as the last of the number of bits specified by TxLength and RxLength.

Software should reprogram RxLength only while the Receiver is either disabled, in Hunt state in a synchronous mode, or between characters in an asynchronous mode. Software can reprogram TxLength at any time, but a new length takes effect only when the Transmitter loads the next character into its shift register.

5.5.3 Parity, CRC, Serial Encoding

A later section of this chapter, 'Parity Checking', discusses how bits 7-5 of both the TMR and RMR control parity checking.

Similarly, a later section of this chapter, 'Cyclic Redundancy Checking', describes how bits 12-8 of the TMR and RMR control CRC checking.

The **TxEncode** and **RxDecode** fields (TMR15-13 and RMR15-13) specify how the Transmitter encodes serial data on the TxD pin and how the Receiver decodes it on the RxD pin. See Chapter 4 for a full description of the following encodings:

xMR15-13	Data Format
000	NRZ
001	NRZB
010	NRZI-Mark
011	NRZI-Space
100	Bi-phase-Mark
101	Bi-phase-Space
110	Bi-phase-Level
111	Differential Bi-phase-Level

5.6 ASYNCHRONOUS MODE

Software can select classic asynchronous operation for both the Transmitter and the Receiver, by programming the TxMode and RxMode fields (CMR11-8 and CMR3-0 respectively) to 0000. The earlier Figure 5-1 shows how a “0” Start bit precedes each character and a “Stop bit” follows each, the latter being a “1” condition that’s more than 1/2 bit time long. The idle state of the line is 1, and the Transmitter and Receiver divide their input clocks by 16, 32, or 64 to arrive at the nominal bit time.

Software can make the Transmitter calculate and send a parity bit with each character and can make the Receiver check such parity bits, as described in the later section Parity Checking.

The two more significant TxSubMode bits (CMR15-14) control the minimum number of Stop bits that the Transmitter sends between consecutive characters. The Transmitter interprets them as follows:

CMR15-14	Minimum Length of Tx Stop
00	One bit time
01	Two bit times
10	One, “shaved” per CCR11-8
11	Two, “shaved” per CCR11-8

When CMR15 is 1 in this mode, the **TxShaveL** field of the Channel Control Register (CCR11-8) controls the exact length of the minimum Stop bit(s). If the 4-bit value in TxShaveL is “n”, then the length of the shaved stop bit is (n+1)/16-bit times. The following table summarizes the stop bit possibilities afforded by CMR15-14 and CCR11-8:

CMR15-14	CCR11-8	Minimum Length of Tx Stop
00	xxxx	1 bit time
01	xxxx	2 bit times
10	0000-0111	1/2 or less: DO NOT USE
10	1000	9/16
10	1001	5/8
10	1010-1110	11/16 to 15/16
10	1111	1 (as with CMR15-14=00)
11	0000	17/16
11	0001	9/8
11	0010-1110	19/16 to 31/16
11	1111	2 (as with CMR15-14=01)

The two LSbits of the Tx and RxSubMode fields (CMR13-12 and 5-4) control the factors by which the Transmitter and Receiver divide their TxCLK and RxCLK inputs to arrive at the nominal bit length. A channel interprets both fields as follows:

CMR13-12 & CMR5-4	Nominal Bit Length
00	TxClock or RxClock/16
01	TxClock or RxClock/32
10	TxClock or RxClock/64
11	Reserved, do not program

For the Receiver, choosing a larger divisor makes it sample the data on RxD more often. This may result in a slightly better error rate in marginal circumstances. For the Transmitter there is no significance to the divisor chosen, other than the convenience of choosing the same value as for the Receiver, so that the same source can be used for both RxCLK and TxCLK. (See Chapter 4 for more information about clock selection.)

Zilog reserves the two MSbits of the RxSubMode field (CMR7-6) in Asynchronous mode for use in future products. They should always be programmed as 00.

There is no such thing as a “received stop length” parameter: the Receiver does not expect or check for a particular stop bit length. It simply samples the received data at the nominal midpoint of a single Stop bit, and loads a corresponding Framing Error bit into the Rx FIFO with each character. This bit migrates through the FIFO with its associated character and eventually appears as the CRCE/FE bit in the Receive Command/Status Register (RCSR3). Note that RCSR3 can represent the status at the time that a character marked with RxBound status was read from the Rx FIFO, or the status of the oldest 1 or 2 characters that are still in the Rx FIFO, as described in the later section ‘Status Reporting’.

5.6.1 Break Conditions

A Break condition is a period of Space (zero) state on an Async line, that's longer than the length of a character. Such a sequence traditionally signals an exceptional condition or a desire to stop transmission in the opposite direction. Alternatively, a Break may mean that the switched or physical connection with the other station is broken. The Receiver detects a Break condition when it samples a supposed Stop bit as Space/zero (a Framing Error) and all the data bits were also Space/zero. In this case the Receiver doesn't place the all-zero character in the Rx FIFO, but instead sets the Break/Abort bit in the Receive Command/Status Register (RCSR5). This bit can be enabled to cause an interrupt at the start of a Break.

If it's necessary to have an interrupt at the end of a Break, software can switch the Receiver to Monosync mode, looking for an all-ones Sync character, and arm the Exited Hunt condition to flag the end of the Break. After the

interrupt, software has to switch back to async mode and purge the Rx FIFO. Alternatively, software can tell when the Break ends by polling the Break/Abort bit. The bit doesn't go back to 0 until software has written a 1 to the bit to "unlatch" it, and Rx D has gone back to 1/High/Mark.

Software can send a Break by programming the TxDMODE field of the Input/Output Control Register (IOCR7-6) to 10 to force Tx D to low/space. Then it can use whatever kind of timing resources it has available to measure the desired duration of the Break. After this, it can program TxDMODE back to 11 to force Tx D to high/mark or to 00 to resume normal operation. Chapter 4 describes a channel's Counters and Baud Rate Generators that may be useful in timing the length of a transmitted Break. While most modern serial controllers will detect a Break that's only slightly longer than a character, older conventions required a Break to be much longer: 200 milliseconds or more.

5.7 ISOCRONOUS MODE

Software can select Isochronous operation for the Transmitter and the Receiver, by programming the TxMODE and RxMODE fields (CMR11-8 and CMR3-0 respectively) to 0010. This mode is similar to Asynchronous mode as described above, except that the Transmitter and Receiver use 1X instead of 16x, 32x, or 64x clocking. This typically means that an external bit clock must be provided. It's possible to use the DPLL to recover a 1x clock, but this is a lot like what the Receiver does in Async mode anyway.

Of the options available in the Channel Mode Register for Async mode, the only one that applies in Isochronous mode is CMR14. This controls whether the Transmitter sends one or two stop bits:

The USC doesn't use the other three bits of the TxSubMODE field in Isochronous mode, nor any of the RxSubMODE bits, but ZiLOG reserves these bits for functional extensions in future products. Software should always program them with zeroes in Isochronous mode on a USC.

CMR14	Length of Tx Stop
0	1 bit time
1	2 bit times

5.8 NINE-BIT MODE

This mode is compatible with various equipment including some Intel single-chip microcontrollers. In some contexts it's called "address wakeup mode". Software can select it for the Transmitter and the Receiver by programming the TxMode and RxMode fields (CMR11-8 and CMR3-0 respectively) to 1000. Operation on the line is similar to Async mode, using a single stop bit and either eight data bits or seven data bits plus a parity bit. Following the eighth (MS) data bit or the Parity bit, an additional bit differentiates normal data characters from "destination address" characters. Address characters identify which of several stations on the link should receive the following data characters. In effect, Nine Bit mode is like a Local Area Network using asynchronous hardware.

The Transmitter saves TxSubMode bit 3 (CMR15) with each character as it goes into the TxFIFO, and sends this bit as that character's address/data bit. By convention a 0 signifies "data" and a 1 signifies "address". As software or an external Transmit DMA controller writes each character into the TxFIFO, the channel saves the state of CMR15 with it. This bit accompanies the character through the FIFO and out onto the link.

TxSubMode bit 2 (CMR14) selects between eight data bits or seven data bits plus parity:

CMR14	Data bits
0	Eight
1	Seven plus parity

The TxParEnab bit in the Transmit Mode Register (TMR5) must be set to the same value as this bit.

Typically, Nine Bit receivers check the parity of received address bytes. This means that when software selects eight data bits, it must calculate its own parity bit in the MSB of addresses.

RxSubMode bit 2 (CMR6) similarly controls parity checking of characters marked as Data, thus allowing 8-bit data, while a 1 enables parity checking, thus limiting data characters to 7 data bits. The Receiver always checks the parity of address bytes. The RxParEnab bit in the Receive Mode register (RMR5) must be set to the same value as this bit.

As in Async mode, the two LSbits of the Tx and RxSubMode fields (CMR13-12 and CMR5-4) control whether the Transmitter and Receiver divide their TxCLK and RxCLK inputs by 16X, 32X, or 64x to arrive at the nominal bit length. See the preceding Async section for the field encodings and a discussion of the significance of this choice.

The Receiver sets the RxBound status bit for a received address character, that is, a character that has its ninth bit set to 1. This bit accompanies the character through the RxFIFO and ends up in the Receive Command/Status Register (RCSR4). Note that this mode uses the RxBound indicator quite a bit differently from other modes, in that it marks the start of each received block rather than the end. Because of this, some of the mechanisms associated with RxBound, that are described in later sections, aren't of much use in Nine-Bit mode. For example, you probably wouldn't want to store a Receive Status Block for an address character.

The USC doesn't use the MSBit of the RxSubMode field (CMR7) in Nine Bit mode, but ZiLog reserves this bit for future enhancements, and software should program it as 0 in this mode.

5.9 EXTERNAL SYNC MODE

Software can select this mode only for the Receiver, by programming the RxMode field of the Channel Mode Register (CMR3-0) as 0001. This value is not defined for the TxMode field (CMR11-8).

This is the most primitive synchronous mode. To use it, software must program the DCDMode field of the Input/Output Control Register (IOCR13-12) to 01, to specify that the /DCD pin carries a Sync input. External hardware must provide a low-active signal on this pin, that controls when the Receiver should capture data. When the external hardware establishes synchronization and/or data validity, it should drive /DCD low. The timing should be such that the IUSC first samples /DCD low at the rising edge of RxCLK before the one at which it should capture the first data bit from RxD. (Typically, RxCLK comes directly from the /RxC pin in this mode.)

While /DCD stays low the Receiver samples RxD on each rising edge of RxCLK. Ideally, the external hardware should negate /DCD such that the channel samples it high on the rising RxCLK edge after the one on which it samples

the last bit of the last character. But if /DCD goes high while the Receiver is in the midst of assembling a received character, it continues on to sample the remaining bits of the character and place the character in the RxFIFO. Because of this, it's OK for /DCD to go high during the last character, at any time after a hold time after the RxCLK edge at which the Receiver samples the first bit of the character.

Software can make the Receiver check a parity bit in each character as described in the following section 'Parity Checking'. Besides or instead of character parity, software can make the Receiver check a CRC code as described in the 'Cyclic Redundancy Checking' section.

The USC doesn't use the RxSubMode field (CMR7-4) in External Sync mode, but ZiLog reserves this field for future enhancements and software should program it as 0000 in this mode.

5.10 MONOSYNC AND BISYNC MODES

The Binary Synchronous Communications protocol put forth by the IBM Corporation in the 1960's is often abbreviated as "Bisync". But we will use the latter term more generally, to mean a mode of a USC channel in which the Transmitter sends, and the Receiver searches or "hunts" for, a Sync pattern composed of two characters totalling 16 bits or less. By contrast, we'll use the term "Monosync" to mean a mode in which the Transmitter sends, and the Receiver matches, a sync pattern of eight bits or less. Use of Bisync mode with the two sync characters equal represents a middle ground, having the advantage that the two-character pattern match by the Receiver is more reliable and secure than the sync match in Monosync mode.

Software can select these modes for the Transmitter and/or the Receiver, by programming the value 0100 (for Monosync) or 0101 (for Bisync) into the TxMode and/or RxMode fields of the Channel Mode Register (CMR11-8 and CMR3-0).

Software can make the Transmitter calculate and send a parity bit with each character and can make the Receiver check such parity bits, as described in the 'Parity Checking' section.

In such character-oriented synchronous modes, blocks of consecutive characters are called 'messages'. Besides or instead of character parity, software can make the Trans-

mitter calculate and send a Cyclic Redundancy Check (CRC) code for each message and can make the Receiver check a CRC in each message, as described later in 'Cyclic Redundancy Checking'.

On the transmit side, the Transmitter "concludes a message" in either of two situations: when it underruns or after it sends a character marked with "EOF/EOM" status. The Transmitter underruns when the TxFIFO is empty and the transmit shift register needs a new character. Software can mark a character as the last one of a message directly, using a command in the Transmit Command/Status Register (TCSR), or more automatically by using the Transmit Character Counter as described in a later section.

The MSBit of the TxSubMode field (CMR15) determines whether the Transmitter sends a CRC when it concludes a message because of an Underrun condition. The TxCRCatEnd bit in the Transmit Mode Register (TMR8) determines whether it does so when it concludes a message because of a character marked as End Of Message. If CMR15 or TMR8 (as applicable) is 1, the Transmitter sends the CRC code that it has accumulated while sending the message. If CMR15 or TMR8 is 0, it doesn't send a CRC code; if there's any message-level checking, it must be sent like normal data.

After the CRC, or immediately if CMR15 or TMR8 is 0, in Monosync mode the Transmitter sends the Sync character in the LSByte of the Transmit Sync Register (TSR7-0). In Bisync mode it sends the "SYN1" character in TSR15-8 if CMR14 is 0, while if CMR14 is 1 it sends one or more character pairs. The Transmitter takes the first character of each such pair from TSR7-0; by convention it's called "SYN0". The second character of each pair comes from TSR15-8 and is called "SYN1".

After sending this closing Sync character or pair, if/while software doesn't present another message, the Transmitter maintains the TxD signal in the "idle line state" defined by the TxIdle field of the Transmit Command/Status Register (TCSR10-8). If this field is 000, it continues to send more of the same Sync character or pair that it sent to terminate the message. Other TxIdle values select constant or alternating-bit patterns, as described later in 'Between Frames, Messages, or Characters'.

If the CMR13 bit in the TxSubMode field is 1, the Transmitter sends a "Preamble" before the "opening" sync character that precedes each message. Software can select the length and content of the Preamble in the Channel Control Register (CCR11-8). A typical use of the Preamble is to send a square-wave pattern for bit rate determination by a phase locked loop.

The Transmitter always sends at least one "opening" Sync pattern before the first data character of a message (after the Preamble if any). In Monosync mode it sends one character from TSR15-8, while in Bisync mode it sends the "SYN0" character from TSR7-0 followed by "SYN1" from TSR15-8. (In Bisync mode an opening Sync sequence is always a character pair, regardless of CMR14.)

The LSBits of the TxSubMode and RxSubMode fields (CMR12 and CMR4 respectively) specify the length of the Sync characters that the Transmitter sends before and after each message and between messages, and for which the Receiver hunts. If CMR12 or CMR4 is 1, sync characters have the same length as data characters, namely the length specified by the TxLength field in the Transmit Mode Register (TMR4-2) or the RxLength field of the Receive Mode Register (RMR4-2). If sync characters are less than 8 bits long, they must be programmed in the least significant bits of TSR15-8, RSR7-0 and, for Bisync, TSR7-0 and RSR15-8. Furthermore, to guarantee that the Receiver matches such Sync characters, the "unused" MSBits among RSR7-0 (and for Bisync RSR15-8) must be programmed equal to the MS active bit.

If CMR12 or CMR4 is 0, Sync characters are 8 bits long regardless of the length of data characters.

On the receive side, the CMR5 bit of the RxSubMode field determines what the Receiver does with Sync characters. In CMR5 is 1, the Receiver strips characters that match the character in RSR15-8, and neither places them in the RxFIFO nor includes them in its CRC calculation. (In Bisync mode, aside from the initial sync match the Receiver treats characters that match "SYN0" in RSR7-0, but don't match "SYN1" in RSR15-8, as normal data.) If CMR5 is 0, the Receiver places all Sync characters inside a message in the RxFIFO and includes them in the CRC calculation.

The USC doesn't use the two MSBits of the RxSubMode field (CMR7-5) in Monosync and Bisync modes, nor CMR14 in the TxSubMode field in Monosync mode. ZiLOG reserves these bits for future enhancements, and software should always program these bits with zeroes in these modes.

5.11 TRANSPARENT BISYNC MODE

This mode is more specific to the Transparent Mode option of IBM Corp.'s Binary Synchronous Communications protocol than is the Bisync mode described above. Software can select this mode for the Transmitter and the Receiver, by programming the TxMode and RxMode fields of the Channel Mode Register (CMR11-8 and CMR3-0) to 0111.

In Monosync and Bisync modes the Sync characters are programmable, but in this mode a channel uses the fixed characters "DLE" for the first of a sync pair, and "SYN" for the second of a pair. (Software can make the Transmitter send only SYNs for closing and idle Syncs.) The LSBits of the TxSubMode and RxSubMode fields (CMR12 and CMR4) control whether the Transmitter and Receiver use the ASCII or EBCDIC codes for control characters, with a 1 specifying EBCDIC.

Besides using DLE before an opening and possibly a closing SYN, the Transmitter can check whether each data character coming out of the Tx FIFO is a DLE and insert another DLE if so. This feature allows any kind of data to be sent "transparently". The Transmitter doesn't include such an inserted DLE in its CRC calculation. Software can selectively enable and disable this function using the **Enable DLE Insertion** and **Disable DLE Insertion** commands, as described later in the 'Commands' section. In general software should enable DLE insertion for sending data and disable it for sending a control sequence that starts with DLE. The channel routes the state controlled by these commands through the Tx FIFO with each character, so that software can change the state as needed.

Similarly, in Transparent Bisync mode the Receiver checks whether each character coming out of its shift register is a DLE. If so, it sets a state bit. If the next character is also a DLE, the Receiver doesn't include it in the Rx FIFO nor in the CRC calculation.

If the character after a DLE is a SYN, the Receiver excludes both the DLE and the SYN from the CRC calculation, but places both characters in the FIFO so that they will appear in the received data stream.

If the character after a DLE is any of the terminating codes "ITB", "ETX", "ETB", "EOT", or "ENQ", the Receiver places the terminating character in the Rx FIFO marked with RxBound status. As described in later sections, this marking may set the channel's Received Data Interrupt Pending bit and thus force an interrupt request on its /INT pin, and/or it may force a DMA request on the /RxREQ pin.

The first "DLE-SOH" or "DLE-STX" in a message makes the Receiver enable its CRC generator for subsequent data. Therefore, the CRC in Transparent Bisync mode covers all the data after the first DLE-SOH or DLE-STX.

The Receiver doesn't take any other special action based on received DLE's.

A Transmitter in Transparent Bisync mode sends a DLE-SYN pair at the start of a message, but a Receiver in this mode syncs up to SYN-SYN. This is so that software can determine "transparency" separately for each message, by testing whether the first character of the message in the Rx FIFO is a DLE.

The following table shows the ASCII and EBCDIC codes that a channel recognizes in this mode:

Character	ASCII Code ₁₆	EBCDIC Code ₁₆
DLE	10	10
ENQ	05	2D
EOT	04	37
ETB	17	26
ETX	03	03
ITB	1F	1F
SOH	01	01
STX	02	02
SYN	16	32

Given the dedicated nature of the Sync characters, the Transmitter interprets the three MSBits of the TxSubMode field similarly to the way it does so in Bisync mode. If CMR15 is 1, it sends a CRC when a Tx Underrun condition occurs. If CMR14 is 1, the Transmitter sends one or more DLE-SYN pairs after a message, else it just sends SYNs. If CMR13 is 1, it sends a Preamble sequence before the opening Sync at the start of each message.

The same data checking options apply to this mode as in Monosync and Bisync, but since we're quite protocol-specific here, we can say that character parity is not used while CRC-16 checking is. While the Receiver can detect the end of the frame in Transparent Bisync mode, the Receive Status Block feature can't be used to capture the CRC Error status of the frame, for reasons discussed later in the 'Cyclic Redundancy Checking' section. But the selective inclusion/exclusion of received data in the CRC calculation, that's typical of this mode, precludes the kind of automatic reception that the RSB feature allows in modes like HDLC/SDLC anyway.

The USC doesn't use the three MSBits of the RxSubMode field (CMR7-5) in Transparent Bisync mode, but ZiLOG reserves these bits for future enhancements and software should always program them as 000 in this mode.

5.12 SLAVED MONOSYNC MODE

This mode applies only to the Transmitter. Software selects it by programming 1100 in the TxMode field of the Channel Mode Register (CMR11-8), while programming 0100 in the RxMode field (CMR3-0) to select Monosync mode for the Receiver.

The mode is intended to implement the X.21 standard and similar schemes in which character boundaries on TxD must align with those on RxD. For this to be meaningful, RxCLK and TxCLK typically come from the same source, as described in Chapter 4.

Most of the setup and operation in this mode is the same as in Monosync mode, which was described in an earlier section. CMR15 determines whether the Transmitter sends a CRC in an Underrun condition. CMR12 selects whether sync characters are the same length as data characters, or are 8 bits long.

CMR13 controls the major operating option in Slaved Monosync mode. (In regular Monosync mode this bit controls whether the Transmitter sends a Preamble before each message; in this mode it can't send one.)

The Transmitter will not go from an inactive to an active state while CMR13 is 0. If CMR13 is 1 when the Receiver signals that it has matched a Sync character, the Transmitter sets the **OnLoop** bit in the Channel Command/Status Register (CCSR7) and becomes active. That is to say, the Transmitter can go active at any received Sync character, not just one that makes the Receiver exit from "Hunt mode".

Once the Transmitter starts, operation is identical with Monosync mode. The Transmitter sends the Sync character from TSR7-0. Then it sends data from the Tx FIFO, until the Tx FIFO underruns or until it sends a character marked as End of Message. Then the Transmitter sends the CRC if software has programmed that it should do so for this kind of termination. Finally it sends a Sync character and checks the CMR13 bit again.

If CMR13 is still 1, the Transmitter waits, sending the programmed Idle line condition, until the software triggers it to send another message. If, however, software cleared CMR13 to 0 during the message just concluded, or if it does so while the channel is sending the Idle condition, the Transmitter goes inactive but it leaves OnLoop (CCSR7) set. In the inactive state it sends continuous ones until software programs CMR13 back to 1 again, and the Receiver signals Sync detection.

If all the transmitted and received sync and data characters are the same length, and the same clock is used for both the Transmitter and Receiver, this method of starting transmission assures that transmitted characters start and end simultaneously with received characters, as required by X.21.

The USC doesn't use CMR14 in the TxSubMode field in Slaved Monosync mode, but ZiLog reserves this bit for future enhancements and software should always program it as zero in this mode.

5.13 IEEE 802.3 (ETHERNET) MODE

Software can select this mode for the Transmitter and the Receiver, by programming 1001 into the TxMode and RxMode fields of the Channel Mode Register (CMR11-8 and CMR3-0).

The USC's capabilities for handling Ethernet communications are less comprehensive than those offered by various dedicated Ethernet controllers. In particular, external hardware must detect collisions and generate the pseudo-random "backoff" timing when a collision occurs. In Ethernet parlance, blocks of consecutive characters are called "frames" rather than messages.

Since Ethernet is a relatively specific, well-defined protocol we can define the proper settings for many of the channel's register fields and options. We can specify the exact values that software should program into the Transmit Mode Register (D703₁₆) and Receive Mode Register (D603₁₆). These values specify Bi-phase-Level encoding, a 32-bit CRC sent at End of Frame, no parity, and 8-bit characters, all according to Ethernet practise and IEEE 802.3. In addition the 2 LSBits specify auto-enabling based on signals from external hardware on /CTS and /DCD.

On the transmit side, software should program the TxPreL and TxPrePat fields of the Channel Control Register (CCR11-8) to 1110. This value makes the Transmitter send the 64-bit Preamble pattern 1010... before each frame. In 802.3 mode the Transmitter automatically changes the 64th bit from 0 to 1 to act as the "start bit".

Furthermore, software should program the TxIdle field of the Transmit Command/Status Register (TCSR10-8) to 110 or 111. These values select an Idle line condition of constant Space or Mark. This condition, in turn, allows external logic to detect the missing clock transition in the first bit after the end of the CRC, and turn off its transmit line driver. (In a low-cost variant, such an Idle state can simply disable an open-collector or similar unipolar driver.) Another alternative is to use the Tx Complete output on /TxC to control the driver.

External logic must detect collisions that may occur while the channel is sending, and signal the Transmitter by driving the /CTS pin high when this occurs. Besides the auto-enable already noted for TMR1-0, software should write the CTSMODE field of the Input/Output Control Register (IOCR15-14) as 0x to support this use of /CTS.

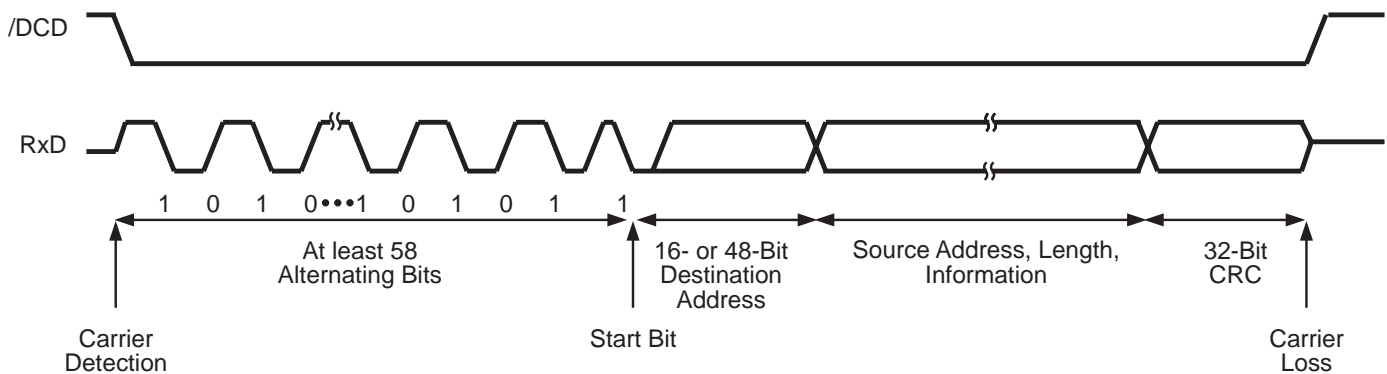


Figure 5-7. Carrier Detection for a Received Ethernet Frame

As in other synchronous modes, the MSBit of the TxSubMode field (CMR15) controls whether the Transmitter sends its accumulated CRC code if a Transmit Underrun condition occurs.

On the receive side, external logic should monitor the link and drive the /DCD pin low when it detects carrier. Figure 5-7 shows the relationship between an Ethernet frame on RxD and the signal on /DCD. Besides the auto-enable already noted for RMR1-0, software should program the DCDMode field of the Input/Output Control Register (IOCR13-12) as 01 to select the mode of the /DCD pin.

After /DCD goes low, the Receiver hardware hunts for 58 alternating bits of preamble, with the final 0 changed to a 1 as a “start bit”. When it finds this sequence it starts assembling data and may check the Destination Address in the frame as described below.

After a frame, the external hardware should drive /DCD high so that it sets up to the rising RxCLK edge after the one at which it samples the last bit of the CRC. In this mode and External Sync mode only among synchronous modes, if /DCD goes high while the Receiver is in the midst of assembling a character, it continues on to sample the remaining bits of the character and place the character in the RxFIFO.

The receiver marks the character that was partially or completely assembled when /DCD went high with RxBound status in the RxFIFO. As described in later sections, this

marking may set the channel's Received Data Interrupt Pending bit and thus force an interrupt request on its /INT pin, and/or it may force a DMA request on the /RxREQ pin.

The LSBit of the RxSubMode field (CMR4) controls whether the Receiver checks an Address field at the start of each frame. If CMR4 is 0, the Receiver places all received frames in the RxFIFO and leaves address-checking to the software. (Some contexts call this “promiscuous mode”.) If CMR4 is 1, the Receiver compares the first two characters (16 bits) of each frame to the contents of the Receive Sync Register (RSR). It compares RSR0 to the first bit received, and RSR15 to the last bit, regardless of any “Select Serial Data MSB First” commands that the software may have written to the RTCmd field (CCAR15-11). The Receiver ignores the frame unless the address matches, or unless the first 16 bits are all ones, which indicates a frame that should be received by all stations. The Receiver places the address in the RxFIFO so that the software can differentiate “locally addressed” frames from “global” ones.

Except in the CRC, characters (“octets”) are sent LSBit first. The Length field that follows the Destination and Source Address fields is sent MSByte-first. IEEE 802.3 doesn't include any other byte ordering information.

The USC doesn't use the three LSBits of the TxSubMode field (CMR14-12) in 802.3 mode, nor the three MSBits of RxSubMode (CMR7-5), but ZiLog reserves these bits for future enhancements. Software should always program them with zeroes in this mode.

5.14 HDLC/SDLC MODE

Software can select this mode for both the Transmitter and the Receiver, by writing 0110 to the TxMode and RxMode in the Channel Mode Register (CMR11-8 and CMR3-0).

In some sense this is the most important mode of the USC, at least for new designs. It is similar to character-oriented synchronous modes in that data characters follow one another on the serial medium without any extra/overhead bits, and are organized into blocks of data with CRC checking applied to the block as a whole.

For HDLC and SDLC, the blocks of data are called "frames". Uniquely recognizable 8-bit sequences called "Flags", consisting of 01111110, precede and follow each frame. HDLC/SDLC protocols ensure the uniqueness of Flags, without imposing any restrictions on the data that can be transmitted, by having the Transmitter insert an extra 0 bit whenever the last six bits it has sent are 011111. A Receiver, in turn, removes such an inserted zero bit whenever it has sampled 0111110 in the last seven bit times.

Besides Flags, HDLC and SDLC define another uniquely recognizable bit sequence called an "Abort", consisting of a zero followed by seven or more consecutive ones. Depending on the exact dialect of HDLC or SDLC, and the security desired in communicating an Abort, software can program the Transmitter to send Aborts consisting of a zero followed by either 7 or 15 consecutive ones.

On the Transmit side, the two MSBits of the TxSubMode field (CMR15-14) control what the Transmitter does if a Transmit Underrun condition occurs, that is, if it needs another character to send but the TxFIFO is empty:

CMR15-14	Underrun Response
00	Send an Abort consisting of 01111111
01	Send an Abort consisting of a zero followed by 15 consecutive ones
10	Send a Flag
11	Send the accumulated CRC followed by a Flag, that is, make the data transmitted so far into a proper frame.

After sending the sequence specified by this field, the Transmitter sends the next frame if software or the external Transmit DMA controller has placed new data in the TxFIFO. Otherwise it sends the Idle line condition specified by the TxIdle field of the Transmit Command/Status Register (TCSR10-8), as described later in 'Between Messages, Frames, or Characters'. That section also describes the conditions under which the Transmitter will combine the closing Flag of one frame, and the opening

Flag of the next, into a single 8-bit instance. The same section also describes a feature whereby software can ensure that USCs manufactured after June 1993 send a programmable minimum number of Flags between frames.

Software can make the Transmitter send an Abort sequence at any time, by writing the "Send Abort" command to the TCcmd field of the Transmit Command/Status Register (TCSR15-12). If CMR 15-14 as described above is 01, the Transmitter sends an extended Abort when software issues this command; otherwise it sends the shorter Abort sequence.

If CMR13 is 1, the Transmitter sends the Preamble sequence defined by the TxPreL and TxPrePat fields of the Channel Control Register (CCR11-8), before it sends the opening Flag of each frame.

If the TxIdle field (TCSR10-8) is 000 to select Flags as the idle line condition, CMR12 selects whether consecutive idle Flags share a single intervening 0. If CMR12 is 1, the idle pattern is 01111101111110..., while if CMR12 is 0 it is 0111111001111110... A Flag that opens or closes a frame never shares a zero with an idle-line Flag, even if CMR12 is 1.

On the Receive side, when the receiver detects the closing Flag of a frame, it marks the preceding (partial or complete) character with RxBound status in the Rx FIFO. As described in later sections, this marking may set the channel's Received Data Interrupt Pending bit and thus force an interrupt request on its /INT pin, and/or it may force a DMA request on the /RxREQ pin.

The receiver automatically copes with single Flags between frames, and with shared zeroes between Flags, as described above for the transmit side.

5.14.1 Received Address and Control Field Handling

The RxSubMode field in the Channel Mode Register (CMR7-4) determines how the Receiver processes the start of each frame, i.e., whether it handles Address and/or Control fields. To the extent that the Receiver handles Address or Control field(s), it always does so in multiples of 8 bits. Thereafter it divides data into characters of the length specified by the RxLength field of the Receive Mode Register (RMR4-2). The Receiver interprets this field as described below. (An "x" in a bit position means the bit doesn't matter.)

CMR7-4	Address/Control Processing
xx00	The Receiver doesn't handle the Address or Control field. It simply divides all the data in all received frames into characters per RxLength and places it in the RxFIFO.
xx01	The Receiver checks the first 8 bits of each frame as an address. If they are all ones or if they match the contents of the LSByte of the Receive Sync Register RSR7-0, the Receiver receives the frame into the RxFIFO, otherwise it ignores the frame through the next Flag. After placing the first 16 bits of the frame in the FIFO as two 8-bit bytes, it divides the rest of the frame into characters per RxLength.
x010	The Receiver checks an 8-bit address as described above. If these bits are all ones or if they match RSR7-0, the Receiver places the first 24 bits of the frame in the RxFIFO as 3 8-bit bytes, before shifting to dividing characters according to RxLength.
x110	The Receiver checks an 8-bit address as described above. If these bits are all ones or if they match RSR7-0, the Receiver places the first 32 bits of the frame in the RxFIFO as 4 8-bit bytes, before shifting to dividing characters according to RxLength.
0011	The Receiver processes an Extended Address at the start of each frame. First it checks the first 8 bits of the frame as described above. If these bits are all ones or if they match RSR7-0, as the Receiver places each 8 bits of the address into the RxFIFO, it checks the LSBit of the 8. If the LSBit is 0, it goes on to put the next 8 bits into the RxFIFO as part of the address as well, through an address byte that has its LSBit 1. Then, the Receiver places the next 16 bits of the frame into the RxFIFO as two 8-bit bytes, before shifting to dividing characters according to RxLength.
0111	The Receiver processes an Extended Address as described for 0011. If the first 8 bits of the address are all ones or if they match RSR7-0, the Receiver places the 24 bits after the extended address into the RxFIFO as 3 8-bit bytes, before shifting to dividing characters per RxLength.

CMR7-4	Address/Control Processing
1011	The Receiver processes an Extended Address as described for 0011, and then an "Extended Control field". If the first 8 bits of the address are all ones or if they match RSR 7-0, the Receiver places the next 8 bits after the extended address in the RxFIFO without examination. Then, as it stores each subsequent 8 bits in the RxFIFO, the Receiver checks the MSBit of the 8. If the MSBit is 1, it continues to receive more 8-bit bytes, through one that has its MSBit 0. Thereafter the Receiver places one more 8-bit byte into the RxFIFO, before shifting to dividing characters per RxLength.
1111	This mode differs from that described above for 1011 only in that the Receiver places the 16 bits after the extended address in the RxFIFO without examination, before starting to check MSBits for the end of the "extended Control field".

Note that even though the Receiver can scan through an Extended Address, it will still only match its first byte. Note also that it matches RSR0 against the first bit received, and RSR7 against the last bit, regardless of whether software has written a "Select Serial Data MSB First" command to RTCmd (CCAR15-11).

If the RxSubMode field specifies some degree of Address and Control checking, that is, if it's not xx00, and a frame ends before the end of the Address and possibly the Control field specified by the RxSubMode value, the Receiver sets a Short Frame bit in the status for the last character of the frame. This bit migrates through the RxFIFO with the last character, eventually appearing as the ShortF/CVType bit in the Receive Command/Status register (RCSR8). Note that this bit can represent the status at the time that an RxBound character was read from the RxFIFO, or the status of the oldest 1 or 2 characters that are still in the RxFIFO, as described in a later section, 'Status Reporting'. Note, however, that this length checking doesn't report a problem if a frame ends within a CRC that follows an address and control field.

If RxLength (RMR4-2) is 000, specifying 8 bits per character, all RxSubMode (CMR7-4) values except xx00 are equivalent aside from short-frame checking.

5.14.2 Frame Length Residuals

The Receiver detects and strips inserted zeroes, Flags, and Aborts before any other processing, and doesn't include these bits/sequences in the Rx FIFO nor in CRC calculations. If the Receiver has assembled a partial character when it detects a Flag or Abort, it stores the partial character left-justified in an Rx FIFO entry. (That is, in the MSBits of the byte regardless of RxLength.) The Receiver saves the number of bits received in this last byte in the **RxResidue** field of the Receive Command/Status Register (RCSR11-9). RxResidue remains available until the end of the next received frame. Software can use the Receive Status Block feature as described in a later section, to store the RCSR in memory after the frame. This reduces processing requirements still further.

Conversely, to send a frame that doesn't contain an integral number of characters, software must ensure that the number of bits in the last character of the frame is written into the **TxResidue** field of the Channel Command/Status Register (CCSR4-2). This must happen before the Transmitter takes the last character out of the Tx FIFO.

Figure 5-8 shows the CCSR. The Transmit Control Block feature can be used to set the TxResidue value for each block under DMA control, without the intervention of processor software. The active bits of a partial character must be right-justified, that is, they must be the LSBits of the last character. If the TxParEnab bit in the Transmit Command/Status Register (TCSR5) is 1 specifying parity generation, for a partial character the Transmitter sends the parity bit after the number of bits specified by TxResidue, while in other characters the parity bit is the last one of the character length specified by TxLength (TMR4-2).

The encoding of RxResidue and TxResidue is as for RxLength and TxLength: 000 specifies that the last character contains eight bits, while 001-111 specify 1 to 7 bits respectively.

5.14.3 Handling a Received Abort

A USC manufactured after June 1993 reports a received Abort sequence in two different ways. The later section 'Status Handling' will note that a channel sets the Break/Abort bit in the Receive Command/Status Register (RCSR5) when it recognizes an Abort sequence. This notification is not tied to a specific point in the received data stream.

The same section will also note that, if the QAbort bit in the Receive Mode Register (RMR8) is 1, USCs manufactured after June 1993 queue Abort conditions through the Rx FIFO. From there, they eventually appear as the Abort/PE bit (RCSR2) of the last character of the frame — the one that has RxBound (RCSR4) set to 1. (If QAbort is 0 and parity checking is enabled, the channel uses this bit in the Rx FIFO and RCSR to indicate Parity Errors.)

With a USC manufactured before June 1993, software can handle an Abort condition by enabling an interrupt when one is detected, and at that point forcing the receiver into Hunt mode for the next frame and ignoring/purging all received data. Or it can try examining received data (in memory for a DMA application or in the Rx FIFO otherwise). Both an Abort and a closing Flag will terminate a frame with "RxBound" status; software can use the CRC error indication to differentiate Aborts from closing Flags.

With USCs manufactured after June 1993, software can handle Aborts more efficiently/elegantly by setting QAbort to 1 and using the Receive Status Block feature to store the RCSR status in memory for each frame, as described in the later section 'Receive Status Blocks.' Software can then examine this status word for each "frame"; any one that has Abort/PE set isn't a proper frame in that it ended with an Abort sequence rather than a Flag.

5.15 HDLC/SDLC LOOP MODE

This mode applies only to the Transmitter. Software can select it by programming the TxMode field of the Channel Mode Register (CMR11-8) as 1110 while programming the RxMode field (CMR3-0) as 0110 to select HDLC/SDLC mode.

Loop mode is useful in networks in which the nodes or stations form a physical loop. Except for one station that acts in a “Primary” or Supervisory role, each must pass the data it receives from the “preceding” station to the “following” one. The only time that a secondary station can break out of this echoing mode is when it receives a special sequence called a “Go Ahead” and it has something to send.

Again, this is a specific protocol and we can define how certain other register fields should be programmed for its intended application. For IBM SDLC Loop compatibility, software should program the Transmit Mode Register (TMR) as 6702₁₆. This enables the Transmitter with NRZI-Space encoding, 16-bit CCITT CRC, no parity, and 8-bit characters. Software also should program the TxIdle field in the Transmit Command/Status Register (TCSR10-8) as 000 to select Flags as the idle line state.

The two MSBits of the TxSubMode field (CMR15-14) control what the Transmitter does if an Underrun condition occurs, that is, if it needs a character to send but the TxFIFO is empty. The available choices are similar to those in normal HDLC/SDLC mode but the Transmitter has a wider range of subsequent actions:

CMR15-14	Response to Underrun
00	The Transmitter sends an Abort (“Go Ahead”) sequence consisting of a zero followed by seven consecutive ones, and then stops sending and reverts to echoing the data it receives. ZiLog doesn’t recommend this option in IBM SDLC Loop applications because only the Primary station should issue a “Go Ahead” sequence (and it should be in regular HDLC/SDLC mode).
01	Like 00 except that the Abort includes 15 ones.
10	The Transmitter sends Flags on an Underrun, until another frame is ready or until software clears CMR13 to 0.
11	The Transmitter sends its accumulated CRC followed by Flags on an Underrun, until another frame is ready to transmit or until software clears CMR13 to 0. ZiLog doesn’t recommend this option either, because the frame format probably hasn’t been met when there’s an underrun.

The CMR13 bit plays a different role when the Transmitter is first being enabled to “insert this station into the loop”, as compared to normal operation after that. Before software programs the Channel Mode Register for SDLC Loop mode and enables the Transmitter, the TxD pin carries continuous Ones. If software initially enables the Transmitter with CMR13 0, it continues to output Ones on TxD. When CMR13 is 1 after software first enables the Transmitter, the channel sends Zeroes on TxD until the Receiver detects a “Go Ahead” sequence (01111111). At this point the channel starts passing data from RxD to TxD with a 4-bit delay, and sets the OnLoop bit in the Channel Command/Status Register (CCSR7; see Figure 5-8).

RCCF Ovflo	RCCF Avail	Clear RCCF	DPLL Sync	DPLL 2Miss	DPLL 1Miss	DPLLEdge	On Loop	Loop Send	Resrvd	TxResidue		/TxACK	/RxACK		
15	14	13	12	11	10	9	8	7	6	5	4	3	2	1	0

Figure 5-8. The Channel Command/Status Register (CCSR)

5.15 HDLC/SDLC LOOP MODE (Continued)

OnLoop stays 1 unless the part is reset or software programs the TxMode field to a different value. Once OnLoop is 1 and the channel is repeating data from RxD to TxD, CMR13 controls what the Transmitter does when it receives a(nother) Go Ahead sequence. If CMR13 is 0, the channel just keeps repeating data, including the "GA". If CMR13 is 1 when the Receiver detects another "Go Ahead", the Transmitter changes the last bit of the GA from 1 to 0 (making it a Flag), sets the **LoopSend** bit (CCSR6) and proceeds to start sending data. (If there's no data available in the TxFIFO it keeps sending Flags, otherwise it sends the data in the TxFIFO.)

When the Transmitter has been sending data and encounters either a character marked as "EOF/EOM", or an underrun condition when CMR15=1, CMR13 determines how it proceeds. If CMR13 is 1 in either of these situations, the Transmitter stays active and sends Flags or additional frames as they become available in the TxFIFO. If CMR13 is 0 after the channel has sent a closing Flag or an idle Flag, it clears the LoopSend (CCSR6) bit and returns to repeating data from RxD onto TxD.

CMR12 controls whether the Transmitter sends idle Flags with shared zero bits, as described for normal HDLC/SDLC mode.

5.16 CYCLIC REDUNDANCY CHECKING (CRC)

A USC channel will send and check CRC codes only in synchronous modes, namely External Sync, Monosync, Slaved Monosync, Bisync, Transparent Bisync, HDLC/SDLC, HDLC/SDLC Loop, and 802.3 modes.

The **TxCRCType** and **RxCRCType** fields in the Transmit and Receive Mode Registers (TMR12-11 and RMR12-11) control how the Transmitter and Receiver accumulate CRC codes.

00 in either field selects the 16-bit CRC-CCITT polynomial $x^{15}+x^{12}+x^5+1$. In HDLC, HDLC Loop, and 802.3 modes, the Transmitter inverts each CRC before sending it, the Receiver checks for remainders of F0B8₁₆, and the TxCRCStart and RxCRCStart bits should be programmed as 1 to start the CRC generators with all ones. In other synchronous modes the Transmitter sends accumulated CRCs normally and the Receiver checks for all-zero remainders.

01 in either field selects the CRC-16 polynomial $x^{16}+x^{15}+x^2+1$. The Transmitter sends accumulated CRCs normally and the Receiver checks for all-zero remainders. This choice is not compatible with HDLC, HDLC Loop, and 802.3 protocols, and in these modes CRC-16 will not operate correctly even between USC family Transmitters and Receivers.

10 in TxCRCType or RxCRCType selects the 32-bit Ethernet polynomial $x^{32}+x^{26}+x^{23}+x^{22}+x^{16}+x^{12}+x^{11}+x^{10}+x^8+x^7+x^5+x^4+x^2+x+1$. In HDLC, HDLC Loop, and 802.3 modes, the Transmitter inverts each CRC before transmitting it, the Receiver checks for remainders equal to C704DD7B₁₆, and the TxCRCStart and RxCRCStart bits should be programmed as 1 to start the CRC generators with all ones. In other synchronous modes the Transmitter sends CRCs normally and the Receiver checks for all-zero remainders.

Zilog reserves the value 11 in TxCRCType or RxCRCType for future product enhancements; it should not be programmed.

The **TxCRCStart** and **RxCRCStart** bits (TMR10 and RMR10) control the starting value of the Transmit and Receive CRC generators for each frame or message. A 0 in this bit selects an all-zero starting value and a 1 selects a value of all ones. In HDLC, HDLC Loop, and 802.3 modes these bits should be 1.

The Transmitter and Receiver automatically clear their CRC generators to the state selected by these CRCStart bits at the start of each frame. The Transmitter does this after it sends an opening Sync or Flag sequence. The Receiver does so each time it recognizes a Sync or Flag sequence (it may be the last one before the first character of the frame or message). For special CRC requirements, the **Clear Rx CRC** and **Clear Tx CRC** commands give software the ability to clear the CRC generators at any time. See the later section 'Commands' for a full description of these operations.

The **TMR10** and **RMR10** bits (TMR9 and RMR9) control whether the channel processes transmitted and received characters through the respective CRC generators. A 0 excludes characters from the CRC while a 1 includes them. The Transmitter captures the state of TxCRCEnab with each character as it's written into the TxFIFO, so that software can change the bit dynamically for different characters.

If the **TxCRCatEnd** bit (TMR8) is 1 and the TxMode field (CMR11-8) specifies a synchronous mode, the Transmitter sends the contents of its CRC generator after sending a character marked as EOF/EOM. If TxCRCatEnd is 0 the Transmitter doesn't send a CRC after such a character. (A character can be marked as EOF/EOM if software writes a command to the Transmit Command/Status Register (TCSR), or when software or an external Transmit DMA controller writes one or two characters to the TxFIFO so that the Transmit Character Counter decrements to zero.) Whether or not it sends a CRC, the Transmitter then sends a Sync or Flag sequence, depending on the protocol.

In synchronous modes, the MS 1 or 2 bits of the TxSubMode field (CMR15 and in some modes also CMR14) control whether the Transmitter sends the contents of its CRC generator if it encounters a Transmit Underrun condition, namely if it needs a character to send but the TxFIFO is empty. Whether or not it sends a CRC, the Transmitter then sends a Sync or Flag sequence, depending on the protocol.

On the receive side, in synchronous modes other than HDLC/SDLC, HDLC/SDLC Loop, and 802.3, there's a two character delay between the time a Receiver places each received character in the RxFIFO and when it processes (or doesn't process) the character through the CRC generator. Therefore, software can examine each received character and set RxCRCEnb appropriately to exclude certain characters from CRC checking, if it can do so before the next one arrives. A Receiver doesn't introduce this delay in HDLC/SDLC, HDLC/SDLC Loop, or 802.3 mode, because in these modes all characters in each frame should be included in the CRC calculation.

Figure 5-9 shows how a Receiver routes data to the Receive CRC generator differently in HDLC/SDLC, HDLC/SDLC Loop, and 802.3 modes than in other synchronous modes. In the former three modes, the Receiver shifts each bit from RxD into the CRC generator when it shifts the bit into its main shift register. In other sync modes, the Receiver passes the data through a second shift register located between the main shift register and the CRC generator. This second shift register is effectively (RxLength) bits long, and gives the software time to decide whether to include each received character in the CRC calculation.

The Receive CRC generator constantly checks whether its contents are "correct" according to the kind of CRC specified by the RxCRCType field (RMR12-11). In some modes this simply means whether it contains an all-zero value. The CRC generator provides a corresponding Error output that the Receiver captures in the RxFIFO with each received character. This bit migrates through the RxFIFO with each character and eventually appears as the CRCE/FE bit in the Receive Command/Status Register (RCSR3). Software should ignore this bit for all characters except the one associated with the end of each message or frame (it's almost always 1).

The CRCE bit that's important is the one that reflects the output of the CRC generator after the Receiver has shifted the last bit of the CRC into it. But the operating difference described above affects which character this bit is associated with. The Receiver always places the CRC code itself in the RxFIFO; if RxLength calls for 8-bit characters the CRC represents either 2 or 4 characters. In HDLC/SDLC or 802.3 mode, the CRCE bit associated with the last character of the CRC is the one that shows the CRC-correctness of the frame. But in the other synchronous modes, the CRCE bit of interest is the one with the second character after the last character of the CRC. This means that the Receive Status Block feature can't be used to capture the CRC correctness of received messages in Transparent Bisync mode.

Note that the CRCE/FE bit can represent the status at the time that an RxBound character was read from the RxFIFO, or the status of the oldest 1 or 2 characters that are still in the RxFIFO, as described later in 'Status Reporting'.

Because the Receiver places all the bits of each received CRC in the RxFIFO, a USC channel can be used for CRC-pass-through applications. This is not true of all serial controllers.

5.16 CYCLIC REDUNDANCY CHECKING (Continued)

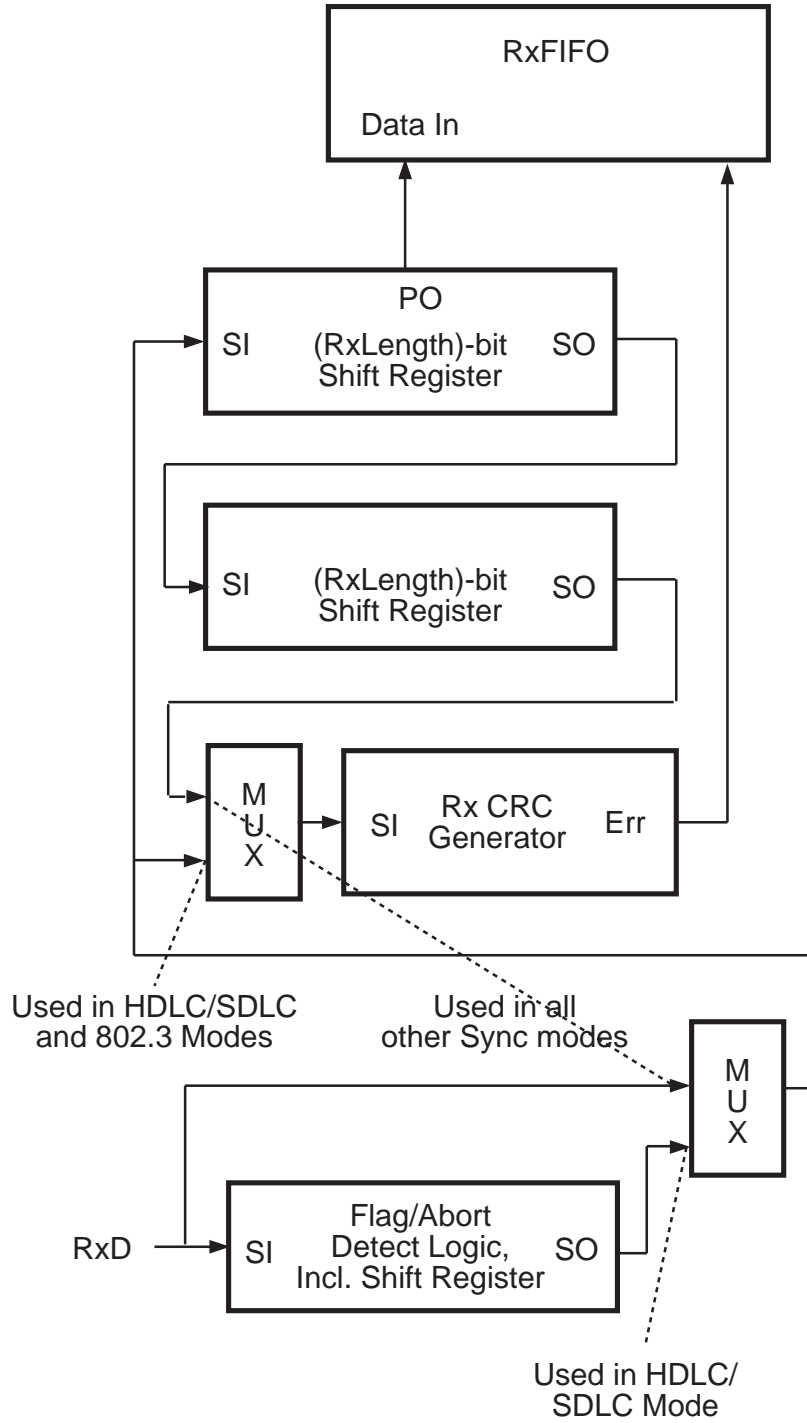


Figure 5-9. A Model of the Receive Datapath

5.17 PARITY CHECKING

A USC channel can handle a Parity bit in each character in either asynchronous or synchronous modes, although many synchronous protocols use CRC checking only.

If the **TxParEnab** bit in the Transmit Mode Register (TMR5) is 1, the Transmitter creates a parity bit as specified by the **TxParType** field (TMR7-6) and sends it with each character. Similarly, if the **RxParEnab** bit (RMR5) is 1, the Receiver checks a parity bit in each received character, according to the RxParType field (RMR7-6). A channel interprets TxParType and **RxParType** as follows:

xMR7-6	Type of Parity
00	Even
01	Odd
10	Zero
11	One

For unencoded data, 10/Zero is the same as “Space parity” and 11/One is the same as “Mark parity”.

TxParEnab and TxParType are “global states” in that a channel doesn’t carry these bits through the TxFIFO with each character.

In asynchronous modes, the Transmitter and Receiver handle the parity bit as an additional bit after the number of bits specified by the TxLength and RxLength fields (TMR4-2 and RMR4-2). In synchronous modes they handle the parity bit as the last (most significant) bit of that number. The Receiver includes a parity bit in the data characters in the Rx FIFO and Receive Data Register (RDR), except in asynchronous modes with 8-bit data.

In HDLC/SDLC protocols, a USC Receiver can queue either a Parity Error or an Abort indication through the Rx FIFO, but not both. Regardless of the protocol, in order to have the Receiver check parity, the QAbort bit in the Receive Mode Register (RMR8) must be 0.

If QAbort is 0, RxParEnab is 1, and the Receiver finds that the parity bit of a received character is not as specified by RxParType, it sets a Parity Error bit. This bit accompanies the character through the Rx FIFO, eventually appearing as the Abort/PE bit in the Receive Command/Status Register (RCSR2). The Abort/PE bit can represent a latched interrupt bit, or the status at the time that an RxBound character was read from the Rx FIFO, or the status of the oldest 1 or 2 characters that are still in the Rx FIFO, as described in the next section.

5.18 STATUS REPORTING

The most important status reported by the Transmitter and Receiver is available in the LSBytes of the Transmit and Receive Command/Status Registers (TCSR and RCSR). Figures 5-11 and 5-12 show the format of these registers. It will be helpful to describe some common characteristics of these status bits before discussing each individually.

When software writes and reads transmit and received data directly to and from a serial controller, it can read and write status and control registers as needed to handle the overall communications process. But with the USC, external DMA controllers often handle the data without software/processor intervention. Because of this, software needs other means of controlling the transmit and receive processes and tracking their status. These means include the Transmit and Receive Character Counters and the Transmit Control Block and Receive Status Block features. Later sections describe these features in considerable detail. For now we just note that Receive Status Blocks allow the Receive DMA controller to store a version of the RCSR in memory with the received data. Such stored status differs slightly from the status in the RCSR.

Software can program a channel to assert its Interrupt Request output (/INTA or /INTB) based on certain bits in the TCSR and RCSR. Chapter 7 covers interrupts in detail; for now we'll just note that a channel typically sets one of these bits when a specified event occurs or a specified condition starts. Such a bit typically remains 1 until host software clears or "unlatches" it by writing a 1 to it. This means that a channel won't request another interrupt for the same condition until software has written a 1 to the bit. For the two interrupts that reflect the start of an ongoing condition, IdleRcvd and the "break" sense of Break/Abort, the Receiver doesn't clear the RCSR bit until the software has written a 1 to unlatch the bit, and the condition has ended.

Five of the bits in the RCSR (ShortF/CVType, RxBound, CRCE/FE, Abort/PE, and RxOver) are associated with particular received characters. The Receiver queues these bits through the RxFIFO with the characters. The corresponding bits in the RCSR may reflect the status of the oldest character(s) in the FIFO, or that of the character last read out of the FIFO, as described in the next few paragraphs.

In order for these queued interrupt features to operate properly, software should set the **WordStatus** bit in the Receive Interrupt Control Register (RICR3) to 1 before it (or the Rx DMA channel) reads data from the RxFIFO/RDR 16 bits at a time, and to 0 before it (or the RxDMA channel) reads data 8 bits at a time.

Note that it's essential for software to keep WordStatus in the right state, when changing the IA bits in the LSbyte of the RICR, or when writing DMA or interrupt threshold values to the MSbyte.

The RxBound, Abort/PE, and RxOver bits actually operate differently in the RCSR depending on whether software has enabled each to act as a source of interrupts. If the Interrupt Arm (IA) bit in the Receive Interrupt Control Register (RICR) for one of these bits is 1, the channel sets the RCSR bit to 1 when a character having the subject status becomes the oldest one in the RxFIFO, or the second-oldest with WordStatus=1. Once one of these bits is 1, it stays that way until software writes a 1 to it. (The channel doesn't actually set the Receive Status IP bit to request an interrupt for one of these bits, until software or the Receive DMA controller reads the associated character from RDR.)

For ShortF/CVType and CRCE/FE, and for RxBound, Abort/PE, and RxOver when the associated IA bit is 0, if the last time that software or an external Receive DMA controller read this channel's RxFIFO via the RDR, the channel provided a character marked with RxBound status, then these RCSR bits reflect the status of that character. This is true only until software reads the (MSByte of the) RCSR, or a Receive DMA controller stores it in the Receive Status Block, or until software or the Receive DMA controller reads RDR again.

For ShortF/CVType and CRCE/FE, and for RxBound, Abort/PE, and RxOver when the associated IA bit is 0, if the last time that software or the Receive DMA controller read the RxFIFO via the RDR, the character returned (both of the characters returned) had RxBound=0, or if software has read the (MSByte of the) RCSR or the Receive DMA controller has stored it in a Receive Status Block since the last time either one read the RDR, then the RCSR bit reflects the status of the oldest character(s) in the RxFIFO (if any). In this latter case, if the RxFIFO is empty the status bit is not defined. If the WordStatus bit is 1 in the Receive Interrupt Control Register (RICR3) and there are two or more characters in the FIFO, the status bit is the inclusive OR of the status of the oldest two characters in the FIFO. Otherwise the bit reflects the status of the oldest character in the FIFO.

Just in case that wasn't perfectly clear, the flowchart of Figure 5-10 presents the same information.

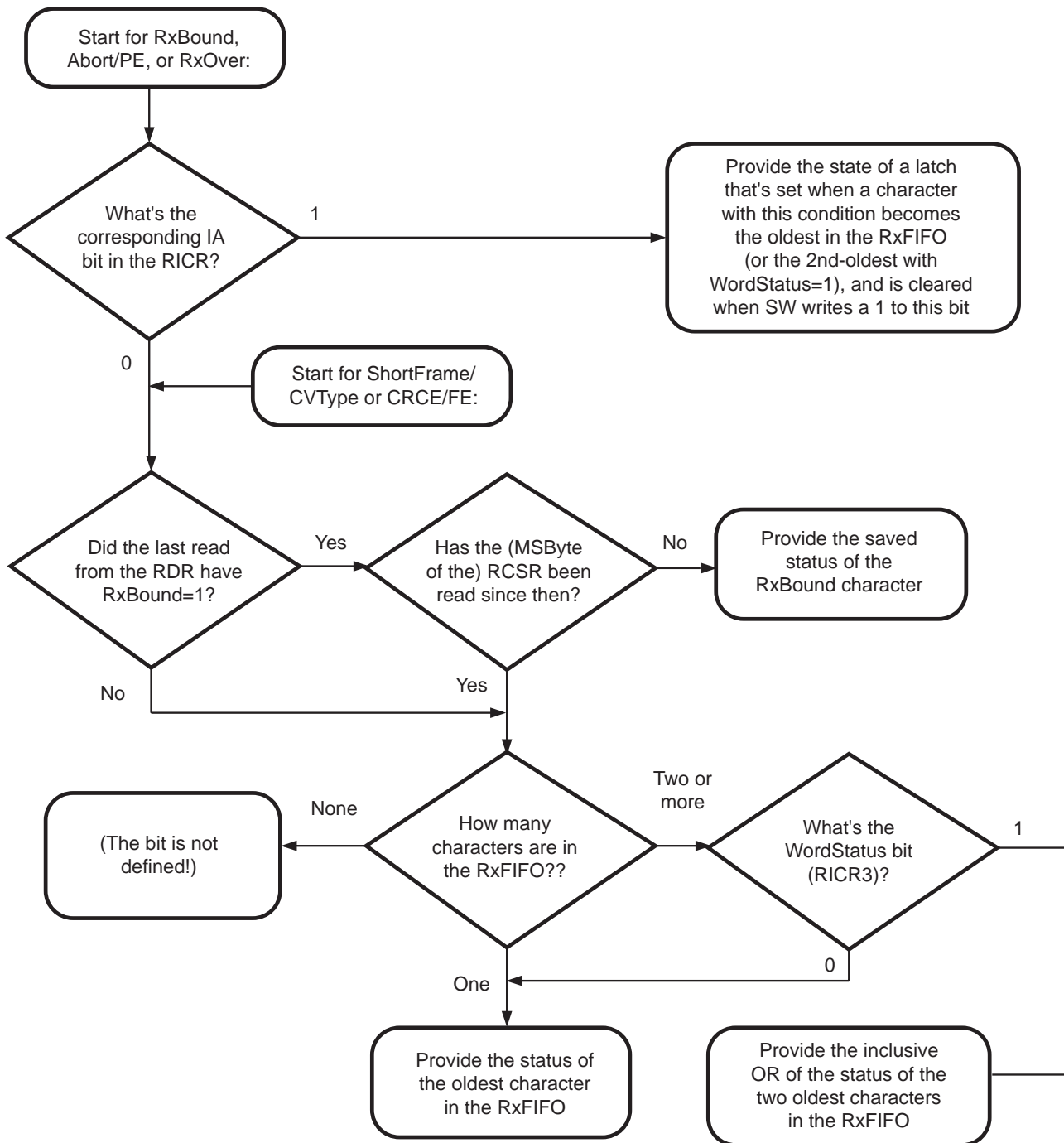


Figure 5-10. How a USC Channel Provides the “Queued” Status Bits in the RCSR

5.18 STATUS REPORTING (Continued)

TCmd				Under Wait	Txidle				Pre Sent	Idle Sent	Abort Sent	EOF/EOM Sent	CRC Sent	All Sent	Tx Under	Tx Empty
15	14	13	12	11	10	9	8	7	6	5	4	3	2	1	0	

Figure 5-11. The Transmit Command/Status Register (TCSR)

5.18.1 Detailed Status in the TCSR

PreSent: The Transmitter sets this bit (TCSR7) in a synchronous mode, when it has finished sending the Preamble specified in the TxPreL and TxPrePat fields of the Channel Control Register (CCR). A channel can request an interrupt when this bit goes from 0 to 1 if the PreSent IA bit in the Transmit Interrupt Control Register (TICR7) is 1. Software must write a 1 to PreSent to unlatch and clear it, and to allow further interrupts if TICR7 is 1; writing a 0 to PreSent has no effect. See the later section 'Between Frames, Messages, or Characters' for more information on Preambles.

IdleSent: The Transmitter sets this bit (TCSR6) in any mode, when it has finished sending "one unit" of the Idle line condition specified in the TxIdle field in the MSByte of this TCSR. If the Idle condition is Syncs or Flags as described later in 'Between Frames, Messages, or Characters', the unit is one character or sequence and the flag and interrupt can recur for each one sent. For any other Idle condition, the Transmitter sets the flag and interrupt only once, when it has sent the first bit of the condition. The channel can request an interrupt when this bit goes from 0 to 1 if the IdleSent IA bit in the Transmit Interrupt Control Register (TICR6) is 1. Software must write a 1 to IdleSent to unlatch and clear it, and to allow further interrupts if TICR6 is 1; writing a 0 to IdleSent has no effect.

AbortSent: The Transmitter sets this bit (TCSR5) in HDLC/SDLC or HDLC/SDLC Loop mode, when it has finished sending an Abort sequence. A channel can request an interrupt when this bit goes from 0 to 1 if the AbortSent IA bit in the Transmit Interrupt Control Register (TICR5) is 1. Software must write a 1 to AbortSent to unlatch and clear it, and to allow further interrupts if TICR5 is 1; writing a 0 to AbortSent has no effect. See the earlier sections 'HDLC/SDLC Mode' and 'HDLC/SDLC Loop Mode' for more information on Abort sequences.

EOF/EOM Sent: The Transmitter sets this bit (TCSR4) in a synchronous mode, when it has finished sending a closing Flag or Sync sequence. A channel can request an interrupt when this bit goes from 0 to 1 if the EOF/EOM Sent IA bit in the Transmit Interrupt Control Register (TICR4) is 1. Software must write a 1 to EOF/EOM Sent to unlatch and clear it, and to allow further interrupts if TICR4 is 1; writing a 0 has no effect. See the later section 'Between Frames, Messages, or Characters' for more information on closing Flags and Syncs.

CRC Sent: The Transmitter sets this bit (TCSR3) in a synchronous mode, when it has finished sending a Cyclic Redundancy Check sequence. A channel can request an interrupt when this bit goes from 0 to 1 if the CRC Sent IA bit in the Transmit Interrupt Control Register (TICR3) is 1. Software must write a 1 to CRC Sent to unlatch and clear it, and to allow further interrupts if TICR3 is 1; writing a 0 to CRC Sent has no effect. See the section 'Cyclic Redundancy Checking' for more information on CRC's.

AllSent: This read-only bit (TCSR2) is 0 in asynchronous modes, while the Transmitter is sending a character. Software can use this bit to figure out when the last character of an async transmission has made it out onto TxD, before changing the mode of the Transmitter.

TxUnder: The Transmitter sets this bit (TCSR1) in any mode, when it needs another character to send but the TxFIFO is empty. It does this even in asynchronous modes. A channel can request an interrupt when this bit goes from 0 to 1 if the TxUnder IA bit in the Transmit Interrupt Control Register (TICR1) is 1. The Transmitter sets TxUnder one or two clocks before the current character is completely sent on TxD. See 'Handling Overruns and Underruns' later in this chapter for further details on how to handle this condition.

TxEmpty: This read-only bit (TCSR0) is 1 when the TxFIFO is empty, and 0 when it contains one or more characters.

RCmd(WO)		RxResidue		ShortF/ CVType	Exited Hunt	Idle Rcvd	Break /Abort	Rx Bound	CRCE /FE	Abort /PE	RX Over	Rx Avail			
2ndBE	1stBE														
15	14	13	12	11	10	9	8	7	6	5	4	3	2	1	0

Figure 5-12. The Receive Command/Status Register (RCSR)

5.18.2 Detailed Status in the RCSR

2ndBE: The USC sets this read-only bit (RCSR15) to 1 when software or an external Receive DMA controller reads data from the RDR, there are two or more characters in the RxFIFO, and the Receiver marked the second-oldest one with one or more of RxBound, Abort/PE, or Rx Overrun status. (The bit's name stands for Second Byte Exception.) A channel clears this bit to 0 when software or the Receive DMA controller reads data from the RxFIFO/RDR, there are two or more characters in the RxFIFO, and the Receiver didn't mark the second-oldest one with any of these three conditions. If software or the Receive DMA controller reads data from the RDR when there's only one character in it, this bit is undefined until the next time one of them reads RDR.

1stBE: The USC sets the read-only bit (RCSR14) to 1 when software or an external Receive DMA controller reads data from the RDR, and the Receiver marked the oldest character read with one or more of RxBound, Abort/PE, or Rx Overrun status. (The bit's name stands for First Byte Exception.) A channel clears this bit to 0 when software or the Receive DMA controller reads data from the RDR, and the Receiver didn't mark the oldest character with any of these three conditions.

ShortF/CVType: The Receiver queues this bit through the RxFIFO with each character. RCSR8 may reflect the status at the time that an RxBound character was read from the RxFIFO, or the status associated with the oldest 1 or 2 character(s) still in the RxFIFO, as described earlier in this Status Reporting section. In a stored Receive Status Block it always represents the status of the preceding RxBound character.

This bit will be 1 only in HDLC/SDLC and only for characters that the Receiver also marks with RxBound=1. When the RxSubMode field (CMR7-4) specifies Address and possibly Control field processing in HDLC/SDLC mode, the Receiver sets this bit for the last character of a frame if it hasn't come to the end of the specified field(s) by the end of the frame.

ExitedHunt: The Receiver sets this bit (RCSR7) in any mode, when it leaves its Hunt state. In Async modes this happens right after software enables the Receiver. In External Sync mode, the Receiver leaves Hunt state when the Enable/Sync signal on /DCD goes from high to low. In Monosync, Bisync, or Transparent Bisync mode the Receiver leaves Hunt state when it recognizes a Sync sequence. In HDLC/SDLC mode the Receiver leaves Hunt state when it recognizes a Flag. In 802.3 (Ethernet) mode, if software has enabled address checking the Receiver leaves Hunt state when it matches the Address at the start of a frame, otherwise it does so after detecting the start bit at the end of the Preamble.

A channel can request an interrupt when this bit goes from 0 to 1 if the ExitedHunt IA bit in the Receive Interrupt Control Register (RICR7) is 1. Software must write a 1 to ExitedHunt to unlatch and clear it, and allow further interrupts if RICR7 is 1; writing a 0 to ExitedHunt has no effect.

IdleRcvd: The Receiver sets this bit (RCSR6) when it samples Rx D as one for 15 consecutive RxCLKs in HDLC/SDLC mode, or for 16 consecutive RxCLKs in any other mode. A channel can request an interrupt when this bit goes from 0 to 1 if the IdleRcvd IA bit in the Receive Interrupt Control Register (RICR6) is 1. Software must write a 1 to IdleRcvd to unlatch it, and to allow further interrupts if RICR6 is 1; writing a 0 has no effect. A channel doesn't actually clear RCSR6 until software has written a 1 to unlatch it, and Rx D has gone to 0 to end the idle condition. (IdleRcvd isn't useful in Async modes that use a 16x, 32x, or 64x clock. In these cases keep RICR6=0 to avoid interrupts, and ignore RCSR6.)

Break/Abort: The Receiver sets this bit (RCSR5) in an asynchronous mode when it detects a Break condition, that is, when it samples the Stop bit of a character as 0, and all the preceding data bits (and the parity bit if any) have also been 0. It sets the bit in HDLC/SDLC mode when it detects seven consecutive ones, i.e., an Abort or Go Ahead sequence.

5.18 STATUS REPORTING (Continued)

This bit is not associated with a particular point in the received data stream, for either the Break or Abort condition. (But see the description of "Abort/PE" below for an Abort indication that is queued with Receive data.)

A channel can request an interrupt when this bit goes from 0 to 1 if the Break/Abort IA bit in the Receive Interrupt Control Register (RICR5) is 1. Software must write a 1 to Break/Abort to unlatch it, and to allow further interrupts if RICR5 is 1; writing a 0 has no effect. In async modes, a channel doesn't actually clear RCSR5 until software has written a 1 to unlatch it, and RxD has gone to 1 to end the break condition.

RxBound: The Receiver queues this bit through the RxFIFO with each received character. It sets the bit with a character that represents the boundary of a logical grouping of data, but this indication isn't visible to software until the character is the oldest one in the RxFIFO, or the second-oldest with WordStatus=1.

As described earlier in this Status Reporting section, RCSR4 may represent an interrupt bit, or the status associated with the oldest 1 or 2 character(s) still in the RxFIFO; or may be 1 if a RxBound character was just read from the RxFIFO. Since the Receive Status Block feature stores the RCSR in memory after each character that the Receiver marks with this bit set, a Receive Status Block always shows RxBound as 1.

In HDLC/SDLC mode the Receiver sets RxBound for the last complete or partial character before an ending Flag or Abort. In Transparent Bisync mode it sets this bit for an ENQ, EOT, ETB, ETX, or ITB character that follows a DLE. In External Sync or 802.3 (Ethernet) mode the Receiver sets this bit for the character just completed or partially assembled when the /DCD pin went High. In Nine-Bit mode it sets this bit for an address character. Note that the Receiver never sets this bit in other modes, including Monosync and Bisync modes.

A channel can request an interrupt when software or a DMA channel reads a character from the RDR that has this bit set, if the RxBound IA bit in the Receive Interrupt Control Register (RICR4) is 1. In this case software must write a 1 to RxBound to unlatch it and allow further interrupts; writing a 0 has no effect.

CRCE/FE: The Receiver queues this bit through the RxFIFO with each received character. RCSR3 may represent the status at the time that a RxBound character was read from the RxFIFO, or the status associated with the oldest 1 or 2 character(s) still in the RxFIFO, as described earlier in this Status Reporting section. In a stored Receive Status Block it represents the status of the previous character, which in turn represents the CRC-correctness of the frame in 802.3 and HDLC/SDLC modes.

In synchronous modes the Receiver makes CRCE/FE 0 if its CRC checker showed "correct" status when it stored the character in the RxFIFO, or 1 if the CRC checker wasn't correct. See the earlier section Cyclic Redundancy Checking for more information. In asynchronous, isochronous, or Nine-Bit mode, the Receiver makes this bit 1 to show a Framing Error if it samples the associated character's Stop bit as 0.

Abort/PE: The Receiver queues this bit through the RxFIFO with each received character. RCSR2 may represent an interrupt bit, or the status at the time that a RxBound character was read from the RxFIFO, or the status associated with the oldest 1 or 2 character(s) still in the RxFIFO, as described earlier in this Status Reporting section. In a stored Receive Status Block it may represent an interrupt bit or the status of the previous 1 or 2 character(s).

If the **QAbort** bit in the Receive Mode Register (RMR8) is 0, the Receiver sets this bit to show a Parity Error for a character if the RxParEnab bit (RMR5) is 1 and the character's parity bit doesn't match the condition specified by the RxParType field. See the earlier section 'Parity Checking' for more information.

In HDLC/SDLC mode with the QAbort bit 1, the Receiver sets this bit (along with RxBound) for a character that was followed by an Abort sequence.

A channel can request an interrupt when software or a DMA channel reads a character from the RDR that has this bit set, if the Abort/PE IA bit in the Receive Interrupt Control Register (RICR2) is 1. In this case software must write a 1 to Abort/PE to unlatch it and allow further interrupts; writing a 0 to RCSR2 has no effect.

RxOver: The Receiver queues this bit through the RxFIFO with each received character. It sets the bit to indicate a Receive FIFO overrun, but the overrun isn't visible to software until the character that caused it is the oldest one in the RxFIFO, or the second-oldest with WordStatus=1.

As described earlier in this Status Reporting section, RCSR1 may represent an interrupt bit, or the status at the time a RxBound character was read from the RxFIFO, or the status associated with the oldest 1 or 2 character(s) still in the RxFIFO. In a stored Receive Status Block this bit may represent an interrupt bit or the status of the previous character.

The Receiver sets this bit to 1 for the first character for which there was no room, which is held in a holding register between the shifter and the RxFIFO. Once this happens, the Receiver doesn't store any more received characters in the RxFIFO, until software responds as described in 'Handling Overruns and Underruns' later in this chapter.

A channel can request an interrupt when software or a DMA channel reads a character from the RDR that has this bit set, if the RxOver IA bit in the Receive Interrupt Control Register (RICR1) is 1. In this case, software must write a 1 to RxOver to unlatch it and allow further interrupts; writing a 0 has no effect.

RxAvail: This read-only bit (RCSR0) is 1 if the RxFIFO contains 1 or more characters, or 0 if it's empty.

5.19 DMA SUPPORT FEATURES

When software writes and reads all the data to and from a serial controller, it can maintain its own counters and length-tracking mechanisms, and can use them to tell when to read status and issue commands. But in DMA applications we would like to "decouple" the processor and its software from such intimate and real-time involvement with the transmit and receive processes. This is only possible if we include features in the serial and/or DMA controllers, by which software can figure out the length and correctness of frames or messages long after they're received, and by which the hardware can change parameters and save status information at appropriate points with as little processor software involvement as possible.

The USC features that support such operation include the Receive and Transmit Character Counters, the RCC FIFO that stores the length of received frames, the Transmit Control Block feature that allows software to include control information with transmit data in Transmit DMA buffers, and the Receive Status Block feature that stores status with received data in Receive DMA buffers. The following subsections describe these features.

5.19.1 The Character Counters

The Transmitter includes a 16-bit Transmit Character Counter (TCC) that software can use to control the length of transmitted frames and messages in DMA applications. The Receiver includes a similar Receive Character Counter (RCC) that software can use to record and save the length of frames and messages in DMA applications. Software can also use the RCC to cause an interrupt if a frame exceeds a certain length.

While most of this section describes these features in terms of the length of frames and messages in synchronous protocols, they may be useful in asynchronous work as well.

Figures 5-13 and 5-14 show the structure of the TCC and RCC features, respectively. Software can write the 16-bit Transmit Count Limit Register (TCLR) at any time, to define the length of the next transmitted message(s) or frame(s). Similarly, it can write the 16-bit Receive Count Limit Register (RCLR) at any time, to define the length of future received messages and frames at which the Receiver will interrupt. Software can also use the Transmit Control Block feature to make a channel automatically fetch a new value for the TCLR and TCC from memory before each block of characters. The TCLR and RCLR can be read back at any time. A channel never changes their values except to clear them to zero at reset time, and when it loads TCLR from a 32-bit Transmit Control Block.

Writing the TCLR or RCLR doesn't have any immediate effect on the TCC or RCC feature. Only when one of several events occurs does a channel load the value from TCLR or RCLR into the actual 16-bit character counter. If the value in TCLR or RCLR is zero at that time, the channel disables the TCC or RCC feature, while if the value is nonzero it enables the feature.

5.19 DMA SUPPORT FEATURES (Continued)

A channel loads the value from the TCLR into the Transmit Character Counter, and enables or disables the TCC accordingly, when one of the following occurs:

1. Software writes the Trigger Tx DMA (or Trigger Tx and Rx DMA) command to the RTCmd field of the Channel Command/Address Register (CCAR15-11), or
2. Software writes the Load TCC (or Load RCC and TCC) command to RTCmd in the CCAR, or
3. Software writes the Purge Tx FIFO (or Purge Tx and Rx FIFO) command to RTCmd in CCAR, or
4. The TxCtrlBlk field in the Channel Control Register (CCR15-14) is 10, specifying a two-word Transmit Control Block, and an external Transmit DMA controller fetches (the second byte of) the second word containing the new character count. Which is to say, the channel fetches the count “through” the TCLR.

A channel loads the value from the RCLR into the Receive Character Counter, and enables or disables the RCC feature, when any of the following occur:

1. Software writes the Trigger Rx DMA (or Trigger Tx and Rx DMA) command to the RTCmd field of the Channel Command/Address Register (CCAR15-11), or
2. Software writes the Load RCC (or Load RCC and TCC) command to RTCmd in the CCAR, or
3. Software writes the Purge Rx FIFO (or Purge Tx and Rx FIFO) command to RTCmd in CCAR, or
4. The Receiver detects an opening Flag or Sync character.

Once a channel has loaded the TCC or RCC with a non-zero value (which enables the feature) it decrements the counter for each character/byte written into the associated FIFO. That is, the Transmitter decrements the TCC by 1 or 2 when software or an external Transmit DMA controller loads transmit data into the TxFIFO. The Receiver decrements the RCC by 1 for each character/byte that it transfers from its shift register into the Rx FIFO.

A non-zero TCLR value should represent the number of characters to send, not including any Transmit Control Block information, nor a CRC that the Transmitter gener-

ates. A non-zero RCLR value can be either all ones, or the number of characters/bytes in a message or frame above which the Receiver should interrupt, including any CRC but not including any Receive Status Block information. For frame or message-oriented applications in which there's no particular maximum received frame or message length, the all-ones value simplifies computing the length of each frame or message slightly. This value allows software to obtain the frame length by simply ones-complementing the value read from RCCR or from a Receive Status Block in memory, rather than by subtracting it from the starting value.

On the Transmit side, software can read the value in the TCC at any time from the Transmit Character Count Register (TCCR), but writing the TCCR address has no effect. Figure 5-14 shows a decoder that detects when the counter contains 0001. When software or an external Transmit DMA controller writes enough data into the Tx FIFO so that the TCC counts down to 0, the channel marks the character that corresponds to decrementing from 1 to 0 as End of Frame/End of Message. When this character gets to the other end of the FIFO, the marking makes the Transmitter conclude the frame appropriately. (Typically, it sends a CRC and a closing Flag or Sync character after the marked character.)

If software or an external Transmit DMA controller writes 16 bits to the TDR while the counter contains 0001, the channel only puts the character on the D7-0 lines into the Tx FIFO — it ignores the data on D15-8. In a system in which even-addressed bytes fall on D7-0 (e.g., a system based on an Intel processor) this isn't a problem. On the other hand, in systems in which even-addressed bytes reside on D15-8 (e.g., a system based on the ZiLog Z8000 or 16C0x or a Motorola 680x0) it can cause problems. In such systems, if the last character of a frame falls at an even address, software must copy the last character into the subsequent odd address as well, before presenting the buffer to the Transmit DMA controller.

The Transmitter suppresses its DMA request from the time an external Transmit DMA controller places the EOF/EOM character in the Tx FIFO until the Transmitter sends it. When software uses the Transmit Control Block feature, this procedure ensures that the Transmit DMA controller doesn't load the control information for the next frame or message, while the Transmitter still needs the values for the current one.

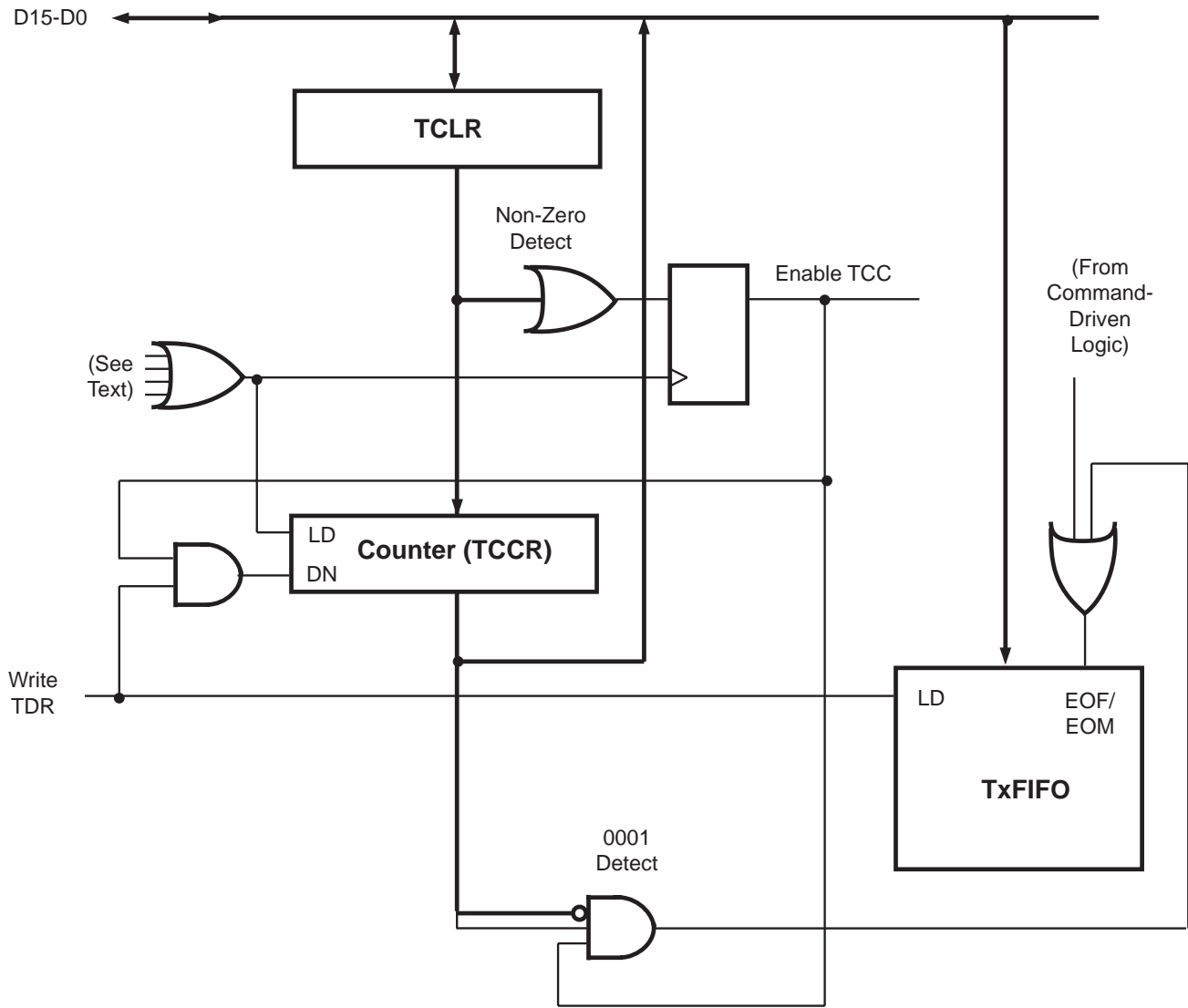


Figure 5-13. A Model of the Transmit Character Counter Feature

5.19.1 The Character Counters (Continued)

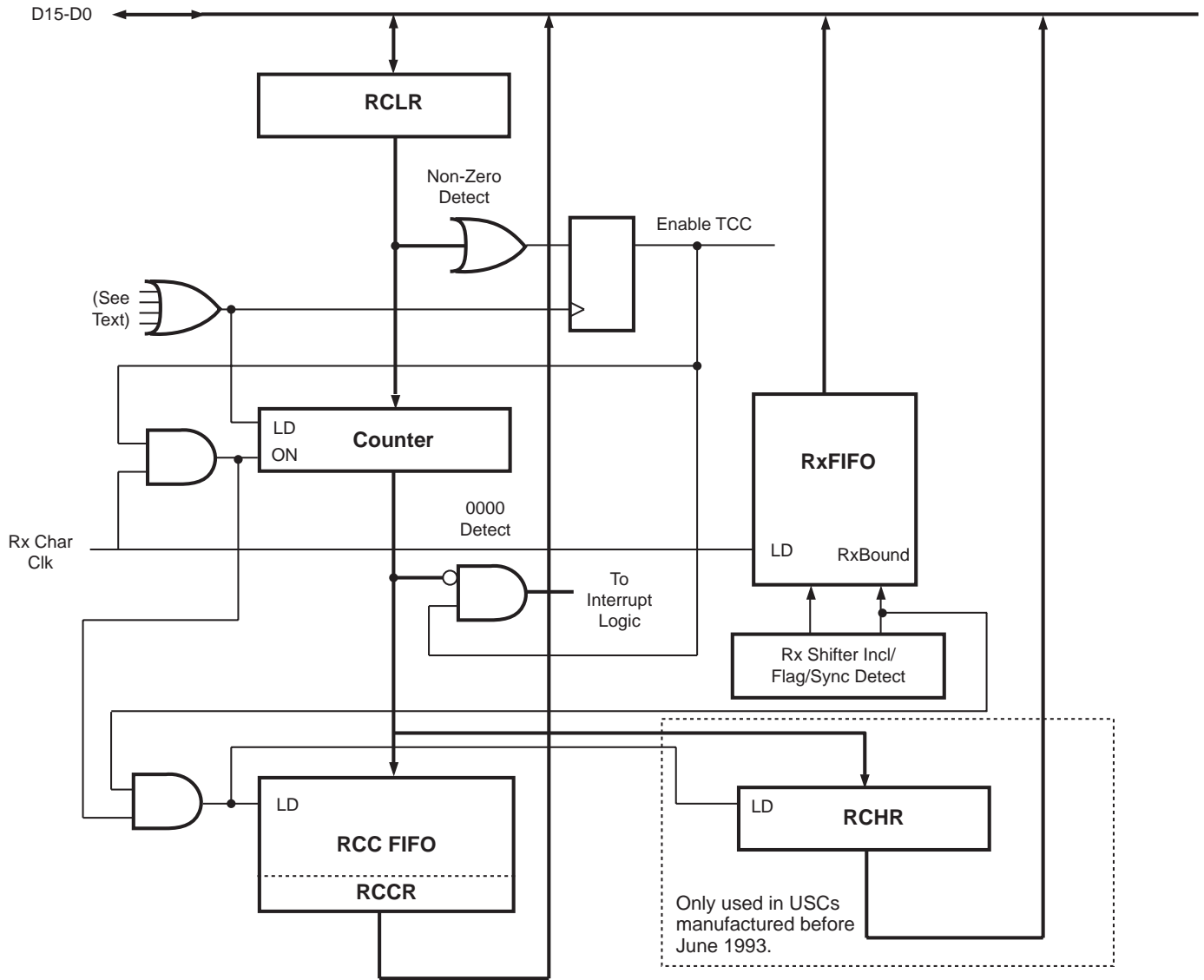


Figure 5-14. A Model of the Receive Character Counter Feature

On the Receive side, software can't directly read the RCC (except perhaps by using test modes that are beyond the scope of this section). Instead, when the Receiver detects an end-of-frame situation, it captures the decremented value in the counter into a four-entry RCC FIFO. (It may do this when it receives a Flag or Sync character, or, in External Sync and 802.3 modes only, when the /DCD pin goes false.) It then reloads the RCC from RCLR in preparation for the next frame. If software enables two-word Receive Status Blocks, the channel stores the captured RCC value as the second word of the RSB.

USCs manufactured before June 1993 used a hidden register called RCHR to hold the RCC value for a 32-bit RSB. Those manufactured since then take the RCC value in a 32-bit RSB from the RCC FIFO.

Besides recording the length of received frames/messages, the RCC feature can help detect frames or messages that are longer than a maximum length defined by the serial protocol. This typically happens because the Flag, terminating character or Sync character(s) separating two frames or messages gets corrupted on the serial link. This makes the two frames or messages look like a single continuous one to the Receiver. The usual strategy in such a case is to ignore (or possibly "NAK") the whole mess.

If the channel decrements the RCC to zero and then receives another character as part of the same frame/message, it sets the **RCCUnder L/U** bit in the Miscellaneous Interrupt Status Register (MISR3). To use this feature to check for overly long frames or messages, program the RCLR with the maximum number of characters that a frame or message can validly have. This value should include CRC characters but exclude any Receive Status Block information. Also, arm the RCC Underflow interrupt by setting the RCCUnder IA bit in the Status Interrupt Control Register (SICR3), as described in Chapter 7.

If the channel ever sets RCCUnder L/U and interrupts, clear the condition by writing a 1 to the L/U bit, write the "Enter Hunt Mode" command to the RCmd field of the Receive Command/Status Register (RCSR15-12), discard the data received for the frame(s) by purging the Rx FIFO, reprogram the external Receive DMA controller if one is being used, and do whatever else is necessary to clean up the situation.

5.19.2 The RCC FIFO

Figure 5-14 shows the RCC FIFO. When software has enabled the Receive Character Counter, the FIFO captures the contents of the RCC at the end of each frame or message in External Sync, Transparent Bisync, 802.3, and HDLC/SDLC modes. (The previous section described how the Receiver decrements the RCC by one for each character it receives.)

The RCC FIFO can hold up to four 16-bit entries. Figure 5-15 shows the Channel Command/Status Register (CCSR), the 3 MSBs of which allow software to monitor and control the RCC FIFO. The **RCCFAvail** bit (CCSR14) is 1 if the RCC FIFO contains at least one entry, or is 0 if the RCC FIFO is empty.

When software selects 32-bit Receive Status Blocks as described in a later section, USCs manufactured after June 1993 automatically remove an entry from the RCC FIFO as they store the second word of an RSB. In other applications, software can monitor RCCFAvail to know when to read the RCC FIFO: when RCCFAvail is 1 software can read the oldest entry in the RCC FIFO from the Receive Character Count Register (RCCR).

Whether the RCC residual is obtained from an RSB or by reading RCCR, software can then compute the length of the frame or message by subtracting this ending value from the starting value that came from the Receive Count Limit Register (RCLR). (Or, if the starting value was all ones, software can simply one's complement the value from RCCR.) Reading the RCCR removes the oldest entry from the RCC FIFO.

For internal synchronization reasons, a channel does not set RCCFAvail, nor certain other status flags related to an End-of-Frame condition, until one bit time after it places the last character of the frame in the Rx FIFO. USCs manufactured before June 1993 will request an Rx Data interrupt and/or an Rx DMA Request from the same clock at which they place this last character in the FIFO, so that an Rx Data interrupt service routine may not see RCCFAvail set. However, USCs manufactured since June 1993 delay forcing an Rx Data interrupt and/or an Rx DMA Request until the same RxCLK rising edge at which they set RCCFAvail, so that an Rx Data interrupt service routine can rely on the RCC FIFO and its status flags being current.

5.19 DMA SUPPORT FEATURES (Continued)

If software has enabled the RCC, and a frame or message ends when the RCC FIFO is already full, the new value overwrites its predecessor, and the three oldest entries are not affected. The channel remembers this event in a status bit that it routes through the RCC FIFO, much like it routes other status bits through the Rx FIFO. When software reads the preceding entries so that an overwriting/overwritten entry becomes the oldest one in the RCC FIFO, the channel sets the **RCCFOvflo** bit in the Channel Command/Status Register (CCSR15). Once RCCFOvflo is set, the only way to clear it (other than to Reset the whole channel) is to write a 1 to the **ClearRCCF** bit (RCCR13), or, for USCs manufactured after June 1993, by writing a Purge Rx command to the RTCmd field (CCAR15-11). Either of these actions also empties the RCC FIFO and clears RCCFAvail.

Writing to the RCCFOvflo and RCCFAvail bits has no effect, nor does writing a 0 to the ClearRCCF bit. ClearRCCF always reads as 0.

5.19.3 Transmit Control Blocks

Figure 5-16 shows the Channel Control Register. Its **TxCtrlBlk** field (CCR15-14) controls what the Transmitter does with the first 32 bits of data that an external Transmit DMA controller fetches from memory at the start of a frame or message. (While software can use Transmit Control Blocks when it fills the Tx FIFO, there's no obvious reason to do so, compared to just writing the control registers directly.) The Transmitter interprets TxCtrlBlk as follows:

TxCtrlBlk	Kind of TCB's used
00	No Transmit Control Block
10	32-bit Transmit Control Block
11	Reserved; do not program

When TxCtrlBlk is 10, a channel treats the next 32 bits that software or an external Transmit DMA controller writes to the TDR, as a Transmit Control Block after any of the following happen:

1. After software writes a Trigger Tx DMA (or Trigger Tx and Rx DMA) command to the RTCmd field of the Channel Command/Address Register, or
2. After software writes a Load TCC (or Load RCC and TCC) command to RTCmd, or
3. After software writes a Purge Tx FIFO (or Purge Tx and Rx FIFO) command to RTCmd, or

4. After the Transmit DMA controller (or software) writes data into the Tx FIFO that decrements the TCC to zero. As noted earlier, the Transmitter drops its DMA request from the time the DMA controller fetches the last character of a frame, until after it moves the character to its shift register. It does this so that the DMA controller doesn't fetch the Transmit Control Block for the next frame or message, while the Transmitter still needs the control information for the current frame.

Note that this list does NOT include hardware or software Reset. This means that after either kind of Reset, the Transmitter is not expecting a TCB. Software must issue one of the commands listed above to condition it to receive the TCB for the first transmit frame after a Reset.

Figure 5-17 shows a 32-bit Transmit Control Block as part of a sequence of 16-bit words in memory. The MS 4 bits of the first word (or the only word in a 16-bit TCB) define a new TxSubMode value for the following transmit data. A channel writes these bits into the TxSubMode field of its Channel Mode Register (CMR15-12) without changing the rest of the CMR. Bits 4-2, of the first or only word, define the TxResidue value for the following frame in HDLC/SDLC or HDLC/SDLC Loop mode. The channel writes these bits into the TxResidue field of the Channel Command/Status Register (CCSR4-2) without affecting the rest of the CCSR. The channel ignores bits 11-5 and 1-0 of the first or only word, but ZiLog reserves these bits for future enhancements and software should ensure that they're all zero.

A channel transfers the second word of a 32-bit TCB through the Transmit Count Limit Register (TCLR) and into the TC Counter (TCCR). Therefore this word should contain the number of characters/bytes that follow this TCB, until the end of the frame or message. As noted in the earlier section on Transmit Character Counter, the TCC is loaded from the TCLR only when software writes one of three commands to the device, or when the 2nd word of a 32-bit TCB is fetched. This means that if software wants the hardware to handle multiple transmissions without software intervention, 16-bit TCBs aren't useful.

Figure 5-17 shows a TCB in the middle of a memory buffer, that is, directly following the last characters of the previous frame. Perhaps more typically, the TCB would be the first four bytes of a memory buffer dedicated to this frame or message.

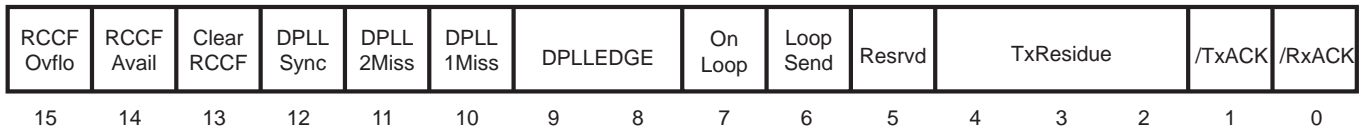


Figure 5-15. The Channel Command/Status Register (CCSR)

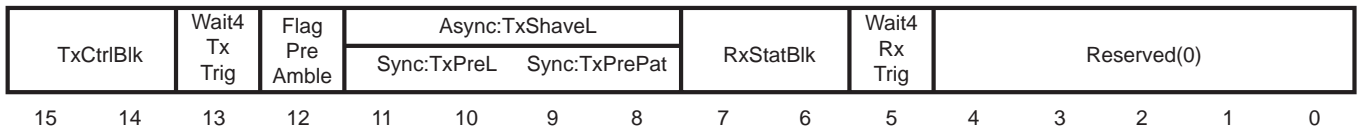


Figure 5-16. The Channel Control Register (CCR)

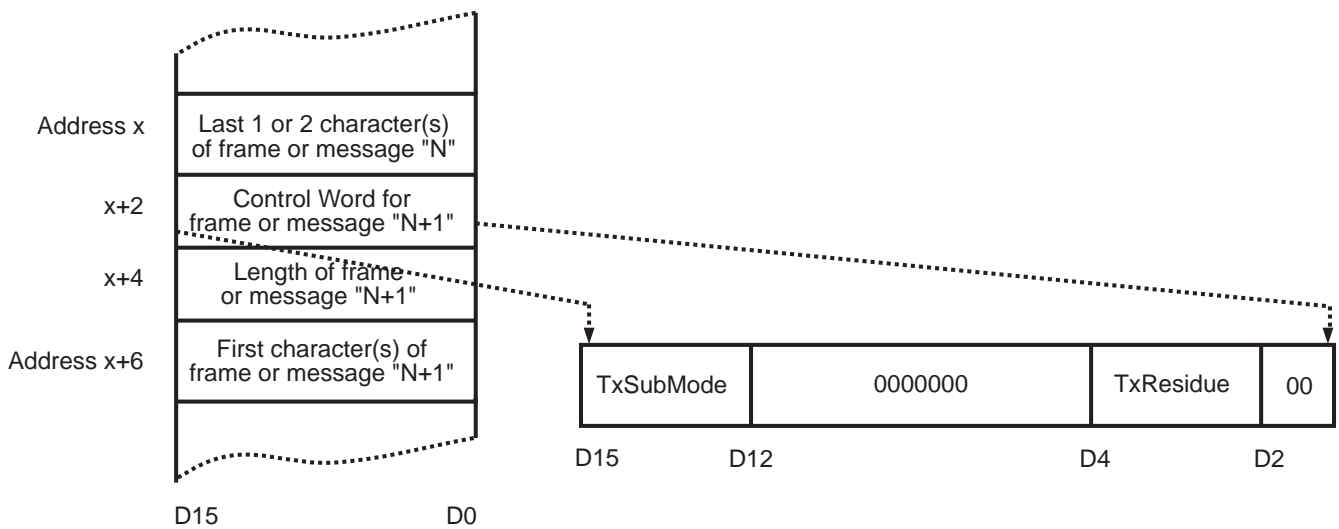


Figure 5-17. A 32-bit Transmit Control Block in a DMA Buffer

5.19.4 Receive Status Blocks

A USC Receiver sets the RxBound bit in the Rx FIFO to indicate the end of a frame, message, or word, in External Sync, Transparent Bisync, 802.3, and HDLC/SDLC. In these modes the Receiver can provide summary/status information in the receive data stream, after the last character of the frame, message, or word. The **RxStatBlk** field of the Channel Control Register (CCR7-6) controls whether it does this. A channel interprets it as follows:

If this field is either 01 or 10, the Receiver stores status from the Receive Command/Status Register (RCSR) after the frame. The 10 value makes the channel also store the ending value of the Receive Character Counter in a second 16-bit word after the RCSR status word. Figure 5-18 shows a 32-bit RSB.

RxStatBlk	Kind of RSB's used
00	No Receive Status Block
01	16-bit Receive Status Block
10	32-bit Receive Status Block
11	Reserved; do not program

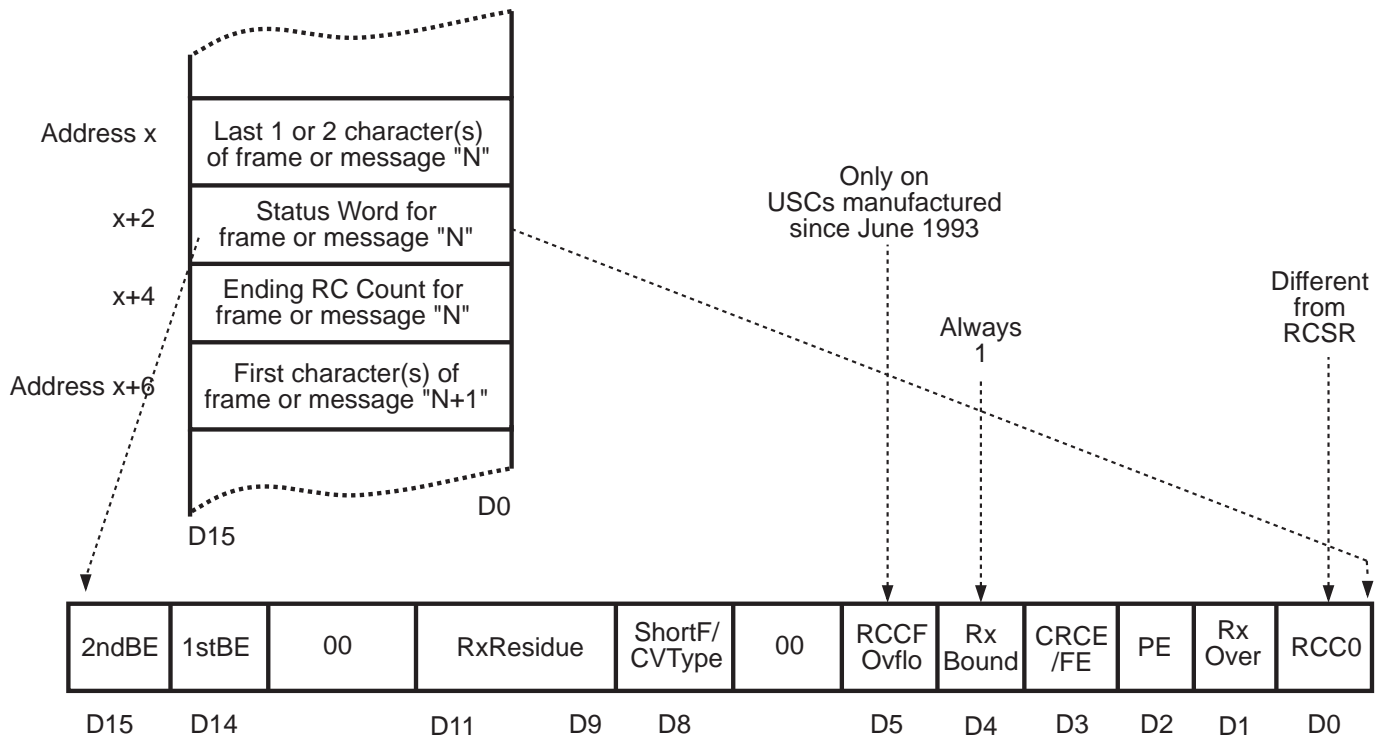


Figure 5-18. A 32-bit Receive Status Block in a DMA Buffer

The only trouble with the 32-bit RSB option is that software has to know how long each received frame is, in order to find the RSB that indicates the length. (This is somewhat similar to trying to follow a forward-linked-list backward.) Typically software will need to use the RCC FIFO to keep track of frame lengths instead of, or in addition to, Receive Status Blocks.

Figure 5-18 shows the contents of the first word of a Receive Status Block; they are identical with the contents of the RCSR with the following exceptions:

1. The channel forces the bits that correspond to ExitedHunt and IdleRcvd in the RCCR to 0. These are “global” rather than “queued” status bits and must be handled by software on a more or less real-time basis.
2. On USCs manufactured after June 1993, bit 5 of the RSB status is a copy of the RCCF Ovflo bit that is otherwise accessible as CCSR15. (Older USCs always store this bit as 0.) Because RCCF Ovflo does not become 1 until an overwritten RCC residual value has come to the top of the RCC FIFO, a 1 in this bit indicates that the associated RCC residual value is not valid.

When RCCR Ovflo is 1, if software has an alternative means of determining the length of the current frame, such as an embedded length field or fixed-length frames, it should use this alternative means to process the frame. Otherwise it must discard the frame as being unprocessable.

3. The LSBit of the first word of an RSB is a copy of the LSBit of the RCC at the end of the frame, rather than the RxAvail bit that's in the RCCR. This bit is also available in the RCC FIFO and in the second word of a 32-bit RSB, but for 16-bit DMA operation it may be handy to have it here, especially in a 16-bit RSB.

The CRCE/FE bit in an RSB reflects the CRC-correctness of the frame in 802.3 and HDLC/SDLC modes, but not in Transparent Bisync mode.

A 10 in RxStatBlk makes the IUSC also store the ending value of the Receive Character Counter in a second 16-bit word after the frame status word. This value indicates the length of the frame.

Figure 5-14 illustrates that USCs manufactured before June 1993 save this RCC value in a 16-bit latch called RCHR, that is not directly accessible to software. Unfortunately, this latch does not provide much buffering capacity when successive short frames are received. Therefore, newer USCs take the RCC value in a 32-bit RSB from the

four-entry RCC FIFO, which with older USCs was only used by software. This allows up to four (short) frames to reside in the RxFIFO simultaneously without loss of information.

To write software that is compatible with both kinds of devices, either enable 32-bit RSBs or read the RCC FIFO, BUT NOT BOTH!

5.19.5 Finding the End of a Received Frame

When software or an external Receive DMA controller reads 16 bits from the RDR, and the Receiver has marked the oldest character in the RxFIFO with RxBound states, the channel only takes that one character out of the RxFIFO. When the Receive DMA controller is doing 16-bit transfers, software has several ways to figure out whether the 16 bits preceding a RSB contain one or two characters/bytes.

The most straightforward way is to compute the length of the frame or message, by subtracting the ending RCC value in the RCC FIFO or the second word of the RSB, from the starting RCC value that the hardware took from RCLR. (If the starting value was all ones, software can just ones-complement the ending value.) Assuming the frame or message started at a 16-bit boundary (an even address), if the result is odd there's one character in the 16-bit word that precedes the RSB, while if it's even there are two characters in the word.

A “narrower” version of the same computation is that if bit 0 of the first or second word of the RSB is the same as the units bit of the starting RCC value that came from RCLR, then the preceding word contains two characters. If the two bits are different the word contains only one character.

Still another method applies only when bits 2-1 of the first word of the RSB, namely Abort/PE and Rx Overrun, are both 0. (Most “modern” protocols don't use parity checking anyway.) The usual handling for an Rx Overrun condition in synchronous modes involves forcing the receiver into Hunt mode for the start of the next frame or message, which means that an RSB would never be stored for a frame that encountered an overrun. When Abort/PE and RxOver are both zero, if bit 14 of the first word of the RSB (1stBE) is 1, there is one character in the preceding word, while if bit 14 is 0 there are two characters in the word.

Figure 5-18 shows the first characters of the next frame stored right after the RSB. This indicates that the DMA controller didn't switch memory buffers between the frames.

5.20 COMMANDS

Commands are encoded values that software writes to a register field to change the state of a channel or make it perform some action. Typically commands don't take any software-perceptible time to perform. USC command fields are write-only; reading them back may yield zeroes or some unrelated status item.

Often commands represent a more compact and efficient way to provide control features than dedicated register bits. In fact, commands are so popular that each USC channel includes three separate encoded command fields! Figure 5-19 shows the Channel Command/Address Register. Software can write various commands that affect the Transmitter and/or the Receiver to its **RTCmd** field (CCAR15-11). In addition, software can write commands that affect the Transmitter to the **TCmd** field in the Transmit Command/Status Register (TCSR15-12), and can write commands that affect the Receiver to the **RCmd** field in the Receive Command/Status Register (RCSR15-12).

Writing all zeroes to any of the command fields does nothing, which can be useful when the intent is to write to other fields of the register. ZiLog reserves other values not listed below for future extensions to the USC family; such values should not be written to the subject field.

RTCmd Value	Function
00010	Reset Highest Serial IUS
00100	Trigger Channel Load DMA
00101	Trigger Rx DMA
00110	Trigger Tx DMA
00111	Trigger Rx and Tx DMA
01001	Purge Rx FIFO
01010	Purge Tx FIFO
01011	Purge Rx and Tx FIFO
01101	Load RCC
01110	Load TCC
01111	Load RCC and TCC
10001	Load TC0
10010	Load TC1
10011	Load TC0 and TC1
10100	Select Serial LSBit First
10101	Select Serial MSBit First
10110	Select D15-8 First
10111	Select D7-0 First
11001	Purge Rx

TCmd Value	Function
0010	Clear Tx CRC Generator
0101	Select TICRHi=FIFO Status
0110	Select TICRHi=/INT Level
0111	Select TICRHi=/TxREQ Level
1000	Send Frame/Message
1001	Send Abort
1100	Enable DLE Insertion
1101	Disable DLE Insertion
1110	Clear EOF/EOM
1111	Set EOF/EOM

RCmd Value	Function
0010	Clear Rx CRC Generator
0011	Enter Hunt Mode
0101	Select RICRHi=FIFO Status
0110	Select RICRHi=/INT Level
0111	Select RICRHi=/RxREQ Level

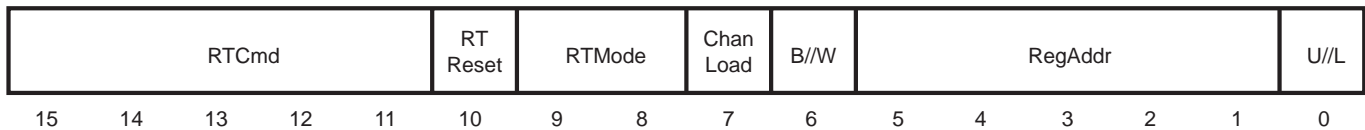


Figure 5-19. The Channel Command/Address Register (CCAR)

A description of each command follows, in alphabetical order. Some of them include references to other chapters or sections, which provide more information that's important to fully understanding the command.

Clear EOF/EOM (TCmd:=1110): this command conditions a channel so that it doesn't mark the next character that software or an external Transmit DMA controller writes to the Transmit Data Register as End of Frame/End of Message. Since a channel assumes this state after each write to the TDR, and after a hardware or programmed Reset, software will need this command only if it "changes its mind" about where the frame ends, between issuing a Set EOF/EOM command and writing the TDR.

Clear Rx or Tx CRC Generator (RCmd or TCmd:= 0010): these commands force the Receive or Transmit CRC Generator to all zeroes or all ones, depending on the RxCRCStart bit in the Receive Mode Register (RMR10) or the TxCRCStart bit in the Transmit Mode Register (TMR10). Software will seldom need these commands because the Receiver and Transmitter automatically clear their associated CRC generators at the start of each frame.

Disable DLE Insertion (TCmd:=1101): this command applies only to Transparent Bisync mode. It conditions a

channel so that it doesn't check subsequent characters written to the Transmit Data Register (TDR) for DLE characters, and so that it doesn't add any DLE characters to the transmitted data stream. Software should use this command before writing a two-character control sequence that starts with DLE to the TDR. DLE insertion remains disabled until software issues an Enable DLE Insertion command or until a hardware or software Reset. Each channel queues the state that's affected by this and the following command through its Tx FIFO with each character, so that software can change the state as needed.

Enable DLE Insertion (TCmd:=1100): this command applies only to Transparent Bisync mode. It conditions a channel so that it checks subsequent characters written to the Transmit Data Register (TDR) for DLE characters, and adds another DLE for each DLE written to the TDR. Software should use this command before writing normal data to the TDR. DLE insertion remains enabled until software issues a Disable DLE Insertion command. Each channel queues the state that's affected by this and the preceding command through its Tx FIFO with each character, so that software can change the state as needed.

5.20 COMMANDS (Continued)

Enter Hunt Mode (RCmd:=0011): this command forces the Receiver into “Hunt Mode” immediately, regardless of its previous state. In synchronous modes, this means that the Receiver starts searching for a Sync or Flag sequence. In asynchronous modes it starts searching for a start bit. In any mode, the Receiver discards any partial character that was in progress when software issued the command.

Load RCC and/or TCC (RTCmd:=01101-01111): these commands load the Receive and/or Transmit Character Counter from the Receive and/or Transmit Count Limit Register (RCC from RCLR and/or TCC from TCLR). This may enable or disable character counting. If software has enabled the Transmit Control Block feature in the TxCtrlBlk field of the Channel Control Register (CCR15-14=01 or 10), a Load TCC or Load RCC and TCC command also conditions the Transmitter to treat the next data written to the Transmit Data Register as a TCB.

Load TC0 and/or TC1 (RTCmd:=10001-10011): these commands load the counter in Baud Rate Generator 0 and/or 1 from the Time Constant 0 and/or 1 Register (BRG0 from TC0R and/or BRG1 from TC1R). If software has programmed a BRG for single cycle mode (HCR1=1 for BRG0 or HCR5=1 for BRG1) and it has stopped after counting down to zero, loading a BRG via one of these commands also enables it to count. See Chapter 4 for more information about the BRG's.

Purge Rx (RTCmd:=11001): on USCs manufactured after June 1993, this command purges (clears, empties) both the main Rx FIFO and the RCC FIFO described in an earlier section. It combines the functions of the ClearRCCF bit in the Channel Command/Status Register (CCSR13) and the Purge Rx FIFO command described in the next paragraph, including the latter command's function of reloading the RCC. This command is intended to be used after an Enter Hunt mode command in handling an Rx Overrun condition, and ensures that the two FIFOs are synchronized with respect to End-of-Frame conditions.

Software can use the device identification features described in “Determining the Device Revision Level” in Chapter 8, to determine whether it can issue this command, or whether it has to issue the two separate commands noted above.

Purge Rx and/or Tx FIFO (RTCmd:=01001-01011): these commands remove all entries from the Rx FIFO and/or Tx FIFO. They also reload the Receive and/or Transmit Character Counter from the Receive and/or Transmit Count Limit Register (RCC from RCLR and/or TCC from TCLR). This may enable or disable character counting. If software has enabled the Transmit Control Block feature in the TxCtrlBlk field of the Channel Control Register (CCR15-

14=01 or 10), a Purge Tx FIFO command also conditions the Transmitter to treat the next data written to the Transmit Data Register as a TCB. If software is using an external Transmit DMA channel, a Purge Tx FIFO command may cause the /TxREQ pin to be asserted immediately, while if it's using Transmit Data interrupts, the command may cause the /INTA or /INTB pin to be asserted immediately. (The previous two sentences also apply to a Purge Rx and Tx FIFO command.)

On USCs manufactured before June 1993, the Purge Rx FIFO and Purge Rx and Tx FIFO commands did not clear a hidden “holding register” located between the Rx shift register and the Rx FIFO. This caused problems if a very fast processor responded to an HDLC Abort interrupt and performed a Purge Rx FIFO command before the final character before the Abort was transferred from the holding register to the Rx FIFO. In this case, this character would then go into the Rx FIFO and finally emerge as an extraneous 1-character “frame.” USCs manufactured after June 1993 deal with this problem in two separate ways: 1) they don't set the Break/Abort flag until after the character before the Abort is in the Rx FIFO, and 2) they clear the holding register as a result of either Purge Rx FIFO command or a Purge Rx command. Thus, they will never produce such a 1-character frame, regardless of how fast the processor is.

Reset Highest IUS (RTCmd:=00010): Chapter 7 describes how this command clears the highest-priority Interrupt Under Service latch in the channel that's currently set (if any).

Select D15-8 or D7-0 First (RTCmd:=10110-10111): these commands control which of the two characters in a 16-bit write to the TDR/Tx FIFO the Transmitter sends first. They also control how the channel arranges the oldest and second-oldest characters in the Rx FIFO when software or an external Receive DMA controller reads 16 bits from the Receive Data Register. “D15-8 First” is the default value after either a hardware or programmed reset, and is compatible with the Zilog Z8000, Zilog 16C0x and Motorola 680x0 processors. “D7-0 First” should be programmed for the Zilog Z380 and most Intel processors. A channel applies this option only during a 16-bit transfer, between the Tx FIFO or Rx FIFO and the AD15-0 pins. However, if the Transmit Character Counter contains 0001 and the Transmit DMA controller writes 16 bits to the Tx FIFO, the channel only puts the character from AD7-0 in the Tx FIFO, regardless of these commands. In a “D7-0 First” system this isn't a problem. But if the last character of a frame or message falls at an even address when using the Transmit DMA controller in a “D15-8 First” system, software must copy the last character into the subsequent odd address as well.

Select RICRHi=/INT Level (RCmd:=0110): this command conditions a channel so that subsequent accesses to the MSByte of its Receive Interrupt Control Register (RICR15-8) read or write the number of received characters at which the channel starts requesting a Receive Data interrupt, as described in Chapter 7. If software uses a Receive DMA controller to store data in memory, it should disable Receive Data interrupts.

Select RICRHi=/RxREQ Level (RCmd:=0111): this command conditions a channel so that subsequent accesses to the MSByte of its Receive Interrupt Control Register (RICR15-8) read or write the number of received characters at which the Receiver asserts /RxREQ to a Receive DMA controller, as described in Chapter 6.

Select RICRHi=FIFO Status (RCmd:=0101): this command conditions a channel so that reading the MSByte of its Receive Interrupt Control Register (RICR15-8) yields the number of characters in its Rx FIFO. This is described more fully in 'The Data Registers and the FIFOs' later in this chapter.

Select Serial Data LSB or MSB First (RTCmd:= 10100-10101): these commands control whether a channel transmits and assembles serial data with the Least Significant or Most Significant bit going first on the line. "LSB first" is the default after either a hardware or programmed reset, and is the method used in most traditional data communications schemes. A channel applies this option as it transfers data between the AD pins and the FIFOs. Because of this, these commands don't affect functions like matching addresses and sync characters and sending syncs. This, in turn, means that software must program such values "backward" in the TSR and RSR for "MSB first" applications.

Select TICRHi=/INT Level (TCmd:=0110): this command conditions a channel so that subsequent accesses to the MSByte of its Transmit Interrupt Control Register (TICR15-8) read or write the number of empty Tx FIFO entries at which the Transmitter starts requesting a Transmit Data interrupt, as described in Chapter 7. If software uses a Transmit DMA controller to fetch data from memory, it should disable Transmit Data interrupts.

Select TICRHi=/TxREQ Level (TCmd:=0111): this command conditions a channel so that subsequent accesses to the MSByte of its Transmit Interrupt Control Register (TICR15-8) read or write the number of empty Tx FIFO entries at which the Transmitter asserts /TxREQ to a Transmit DMA controller, as described in Chapter 6.

Select TICRHi=FIFO Status (TCmd:=0101): this command conditions a channel so that reading the MSByte of its Transmit Interrupt Control Register (TICR15-8) yields the number of empty entries in its Tx FIFO. This is described more fully in 'The Data Registers and the FIFOs' later in this chapter.

Send Abort (TCmd:=1001): this command is valid only in HDLC/SDLC mode and makes the Transmitter send an Abort (Go Ahead) sequence. If the 2 MSBits of the TxSubMode field of the Channel Mode Register (CMR15-14) are 01, the Abort consists of a zero followed by 15 consecutive ones. Otherwise it consists of a zero followed by seven ones. After sending the Abort, the Transmitter operates as it would have after sending a closing Flag. That is, if Wait2Send (TICR2) is 0 and there's data in the Tx FIFO, it starts a new frame, otherwise it sends the Idle condition defined by the TxIdle field (TCSR10-8).

Send Frame/Message (TCmd:=1000): if the Wait2Send bit in the Transmit Interrupt Control Register (TICR2) is 1, the Transmitter waits between frames, sending the Idle pattern defined by the TxIdle field of the Transmit Command/Status Register (TCSR10-8), until software issues this command. The later section 'Synchronizing Frames/Messages with Software Response' describes how this feature differs from the one controlled by the Wait4TxTrig bit in the Channel Control Register and the Trigger Tx DMA command in RTCmd. On USCs manufactured after June 1993, this command also serves to release the interlock that occurs if software sets the UnderWait bit (TCSR11) to 1, and a Tx Underrun condition occurs. See the section 'Handling Overruns and Underruns' later in this chapter.

In any case, this command releases an interlock that's established after frame transmission, and is never needed before the first frame after a Reset.

Set EOF/EOM (TCmd:=1111): this command conditions a channel so that it marks the next character, that software or an external Transmit DMA controller writes to the Transmit Data Register (TDR), as End of Frame/End of Message. This marking makes the Transmitter perform the appropriate closing actions after sending the character. (For example, in HDLC/SDLC mode it sends a CRC and then a closing Flag.) Typically, after issuing this command, software should write the last character of the frame or message to the LSByte of the Transmit Data Register (TDR7-0). The channel automatically clears the state set by this command when software (or a Transmit DMA controller) writes to the TDR. Therefore this command applies to at most one character.

5.20 COMMANDS (Continued)

Trigger Channel Load DMA (RTCmd:=00100): Chapter 7 will describe how this command puts a channel in a special mode in which an external Transmit DMA controller can initialize all the registers in the channel. Software must program and set up an external Transmit DMA controller as for transmitting data, before it issues this command.

Trigger Rx and/or Tx DMA (RTCmd:=00101-00111): if one of the Wait4xxTrig bits in a channel's Channel Control Register (CCR13 for Tx, CCR5 for Rx) is 1, the channel stops requesting that kind of DMA transfer after the end of each frame. When this happens, software should use one of these commands to reenable requests to the external DMA controller(s), for the next frame. These commands also load the Receive and/or Transmit Character Counter from the Receive and/or Transmit Count Limit Register

(RCC from RCLR and/or TCC from TCLR). This may enable or disable character counting. If software has enabled the Transmit Control Block feature in the TxCtrlBlk field of the Channel Control Register (CCR15-14=01 or 10), a Trigger Tx DMA or Trigger Tx and Rx DMA command also conditions the Transmitter to treat the next 16 or 32 bits written to the Transmit Data Register as a TCB. The later section 'Synchronizing Frames/Messages with Software Response' describes how this feature differs from the one controlled by the Wait2Send bit in the Transmit Interrupt Control Register and the "Send Frame/Message" command in TCmd.

The two commands above release interlocks that occur at the end of a frame, and are never needed before the first frame after a Reset.

5.21 RESETTING A USC CHANNEL

Figure 5-19 shows the **RTRReset** bit in the Channel Command/Address Register (CCAR10). Software can use this bit to reset a channel to a known and inactive state like that produced by driving the /RESET pin low. (The most significant difference is that the USC requires software to write the Bus Configuration Register (BCR) after a hardware Reset, but not after this kind of "software Reset".)

To software-reset a channel when using a 16-bit data bus:

1. Write CCAR (or its MSByte) with RTRReset=1.
2. Write a 16-bit zero to CCAR.

To software-reset a channel when using an 8-bit bus:

1. Write the MSByte of CCAR with RTRReset=1.
2. Write the LSByte of CCAR with an 8-bit zero.
3. Write the MSByte of CCAR with an 8-bit zero.

The way this "software reset" works is that the 1 state of RTRReset conditions the channel's register address decoding logic so that the subsequent write operation actually writes data into all the registers in the channel. Between the time that software writes RTRReset as 1, and when it writes it back to 0, the channel doesn't drive I/O pins, it either tri-states output pins or holds them in their inactive state, but register bits that don't directly affect these pins are unchanged/undefined.

Leaving the RTRReset bit set is a common mistake made by first-time users of a USC family member.

5.22 THE DATA REGISTERS AND THE FIFOS

When the RxFIFO contains received characters, software can read the “oldest” 1 or 2 characters in it from the Received Data Register (RDR). When software uses an external Receive DMA controller, the DMA controller takes care of taking data out of the RxFIFO. 'The Mode Registers: Character Length', earlier in this Chapter, describes how the Receiver aligns characters and fills out bytes in the RDR/RxFIFO when characters are less than 8 bits long.

Similarly, when the TxFIFO isn't full software can write 1 or 2 characters to the Transmit Data Register (TDR), or an external DMA controller can do so.

5.22.1 Accessing the TDR and RDR

Chapter 2 describes how software can access the TDR and RDR using a register address that may be 1) multiplexed on the AD6-0 pins, 2) full-time on AD13-8 if only AD7-0 carry data, or 3) written into the Channel Command/Address Register (CCAR6-0).

Two other features of the USC make it easier for software to access these registers when the AD lines don't carry multiplexed addresses and the data bus is 16 bits wide. Host processor write cycles to the USC, with the D//C pin high, always write the TDR. Similarly, host processor read cycles from the USC, with D//C high, always read the RDR. A system designer may connect D//C to a processor address line, such as A1 for a non-multiplexed 16-bit bus or A7 for a multiplexed bus.

Chapter 2 also describes how to write the Bus Configuration Register to configure the USC for a 16-bit data bus. With a 16-bit data bus, software can write two characters at once to the TDR, or an external Transmit DMA controller can read two characters from memory at once. Similarly, software can read two characters at a time from the RDR, or an external Receive DMA controller can write two characters into memory in each bus cycle. The earlier section 'Commands' describes how the “Select D15-8 First” and “Select D7-0 First” commands allow the two characters in each 16-bit transfer, to the TDR or from the RDR, to be arranged in either order. This is important because available microprocessors differ about the order.

With a 16-bit data bus, software can read or write most USC registers as a 16-bit word, or can read or write either their “more significant” byte (bits 15-8) or “less significant” byte (bits 7-0). The TDR and RDR are different in this regard: software should never read or write their more significant bytes alone, only as part of a 16-bit transfer. On a Zilog Z8000 or 16C0x or Motorola 680x0 based system this means that software should write bytes to the TDR and read bytes from the RDR at an odd address. On a Zilog Z380™ or Intel 80x86 processor, software should write bytes to the TDR and read bytes from the RDR at an even address.

On a 16-bit bus there's no way for software to read single characters from the RDR, or write single characters to the TDR, using an address that makes D//C high. To do this, software must either address the LSByte of the TDR/RDR directly, or it must write the address of the LSByte to the CCAR.

5.22.2 TxFIFO and Rx FIFO Operation

The TxFIFO and Rx FIFO have a maximum capacity of 32 characters (bytes) each. A USC channel empties them of all data when external hardware drives the /RESET pin low, when software resets the channel via the RTReset bit (CCAR10), and when software writes a “Purge Rx” or “Purge Rx' and/or Tx FIFO” command to the RTCmd field (CCAR15-11).

The Rx FIFO becomes one byte more full for each character received on the serial link, and one or two bytes less full each time software or an external Receive DMA controller reads data from it via the RDR. The Tx FIFO becomes one or two bytes more full each time software or an external Transmit DMA controller writes data to the TDR, and one byte less full each time the Transmitter moves a character into its output shift register.

One further point about Rx FIFO operation applies only in HDLC/SDLC, HDLC/SDLC Loop, 802.3, and Transparent Bisync. In one of these modes, if software or the Rx DMA channel reads 16 bits from the RDR when the oldest character in the Rx FIFO is the last one of a frame (i.e., it's marked with RxBound status), the USC channel removes only that one character from the Rx FIFO.

5.22.3 Fill Levels

Each channel maintains a counter for each FIFO that reflects its current contents. Software can read the number of received characters/bytes that are currently in the RxFIFO. To do this, it may first have to write the “Select RICRHi=FIFO Status” command to the RCmd field of the Receive Command/Status Register (RCSR15-12). Then software can read the MSByte of the Receive Interrupt Status Register (RICR15-8). The resulting 8-bit value represents the number of received characters in the RxFIFO. It ranges from 0 for an empty RxFIFO to 32 for a full one. Software can skip the step of writing the Select command if it hasn't written any of the other “Select RICRHi=...” commands to the RCSR since the last time it issued this command.

Similarly, software can read the number of entries that are currently empty in the TxFIFO. It may first have to write the “Select TICRHi=FIFO Status” command to the TCmd field of the Transmit Command/Status Register (TCSR15-12). Then software should read the MSByte of the Transmit Interrupt Status Register (TICR15-8). The resulting 8-bit value represents the number of empty positions in the TxFIFO. It ranges from 0 for a full TxFIFO to 32 for an empty one. As on the Receive side, software can skip the step of writing the Select command if it hasn't written any of the other “Select TICRHi” commands to the TCSR since the last time it issued this command.

Code that reads a FIFO Fill Level must ensure that no interrupts will occur between the time it writes the “Select xICRHi=FIFO Status” command to the TCSR or RCSR, and when it reads the value from the TICR or RICR, if such interrupts can lead to other code writing a different Select command to the same Command/Status Register.

Large values of the FIFO Fill Levels indicate exceptional conditions. 33 (hex 21) in the Rx Fill Level indicates that data has been lost because of a Receive Overrun condition. Rx Fill Level values above that, particularly 63 (hex 3F), indicate that software read more data from the RxFIFO than was received. Tx Fill Levels between 33 (hex 21) and 63 (hex 3F) inclusive indicate that software wrote more data to the TxFIFO than there was room for. All of these situations should be handled by issuing a Purge FIFO command, although receive software may want to handle an Overrun by reading out the FIFO first, to salvage data received before the problem occurred.

5.22.4 DMA and Interrupt Request Levels

The USC channels continually compare the contents of the Fill Level counters against two “threshold” levels for each. Chapter 6 describes how the “Tx DMA Request Level” determines how empty the TxFIFO must get before the Transmitter starts requesting that an external Transmit DMA controller should read more data from memory. Once the Transmitter has started to request DMA transfer, it typically keeps doing so until the DMA controller has filled the TxFIFO or until the Transmit Character Counter has counted down to zero.

Chapter 6 also describes how the “Receive DMA Request Level” controls how full the RxFIFO should get before the Receiver starts requesting that an external Receive DMA controller should move data to memory. Once the Receiver has started to request DMA transfer, it typically keeps doing so until the DMA controller has emptied the RxFIFO, or until it has stored the last character of a frame or message.

Chapter 7 describes how, if software enables “Transmit Data” interrupts, the “Transmit /INT Level” controls how empty the TxFIFO should get before the Transmitter starts requesting such an interrupt. It also describes how, if software enables “Receive Data” interrupts, the “Receive /INT Level” controls how full the RxFIFO should get before the Receiver starts requesting such an interrupt. Software doesn't use these kinds of interrupts in USC applications in which external Transmit and Receive DMA controllers handle the data. But if software does use data interrupts, the interrupt service routine should fill the TxFIFO or empty the RxFIFO completely each time it executes. (As a minimum the ISR should transfer enough data to bring the FIFO status below the threshold level, or should raise the threshold level to accomplish the same thing.)

5.23 HANDLING OVERRUNS AND UNDERRUNS

In general, both the Tx Underrun condition in the TCSR and the Rx Overrun condition in the RCSR should be enabled and armed for interrupt. While the USC can handle most things that can arise in normal operation in a fairly automatic fashion, these two conditions represent a breakdown in the relationship between the USC and its environment, namely insufficient servicing of DMA requests or Data interrupt requests. Software should respond to these conditions quickly to minimize further loss of received data and to prevent erroneous transmission.

5.23.1 Tx Underruns

All revisions of the USC will deal with a Transmit Underrun condition in synchronous modes by (1) concluding the current frame or message as specified in the TxSubMode field of the Channel Mode Register (CMR), which may have been set from a Transmit Control Block, and (2) setting the TxUnder bit in the TCSR.

But if a Tx DMA channel then (finally) responds to the Transmitter's DMA Request and puts more data in the TxFIFO, before software can respond to the Underrun condition, the Transmitter can thereafter begin sending a new frame, typically starting with data that was meant to be in the middle of a frame.

If an application is subject to Tx Underruns and has response latency to the Underrun condition that allows such a subsequent frame to be started out onto the serial link, for USC'S manufactured before June 1993, the only practical way to avoid this behavior is to set the Wait2Send bit (TICR2) and have software issue a Send Frame/Message command to allow each Tx frame out onto the link. This procedure may degrade transmit performance.

For USCs manufactured after June of 1993, software can avoid both the problem and the performance degradation associated with the Wait2Send workaround, by setting the **UnderWait** bit in the Transmit Command/Status Register (TCSR11), which was Reserved in previous revisions. When UnderWait is set, the USC's Transmitter will wait after dealing with a Transmit Underrun condition, sending the Idle condition specified in the TCSR, until software recognizes the Underrun condition and deals with it. The recommended software response is:

1. Stop the Tx DMA channel if one is used
2. Write the "Purge Tx FIFO" command to the CCAR
3. Reprogram the Tx DMA channel (if used) to the start of the frame in which the underrun occurred,

4. Start the Tx DMA channel (if used),
5. Write the "Send Frame/Message" command (plus the UnderWait bit) to the TCSR. This command releases the interlock caused by the underrun condition with UnderWait=1.
6. If the Underrun condition is armed for interrupt, write a 1 to TCSR1 to clear the status bit.
7. If Underrun and other conditions are armed to cause Transmit Status interrupts, clear all the IA bits in the TICR and then restore those that should be Armed.

When 32-bit Transmit Control Blocks are used, setting UnderWait to 1 has a further effect that helps minimize the occurrence of Tx Underrun conditions. When the TxCtrlBlk field (CCSR15-14) is 10 and UnderWait (TCSR11) is 1, the Transmitter will delay starting to send a frame until either the TxFIFO is full or an entire Tx frame has been placed in the TxFIFO.

Using Underwait with 32-bit TCBs helps minimize Tx underruns if an Rx DMA channel has pre-emptive priority over a Tx DMA channel, and it seizes control of the bus just after the Tx DMA channel has placed the first one or two characters of a new Tx frame in the TxFIFO.

5.23.2 Rx Overruns

If software or the Rx DMA channel doesn't read data from the RDR/RxFIFO often enough, the 32-character Rx FIFO may fill-up. If another character arrives while the RxFIFO is full, the Receiver saves this character in a holding register between the Rx shift register and the RxFIFO. When the Rx DMA gets around to reading from the RxFIFO again, the Receiver places this "overrun character" in the RxFIFO with a status bit that accompanies it through the FIFO. When the Rx DMA channel stores the overrun character in memory, the USC sets the RxOver bit in the RCSR and requests an interrupt if the RxOver IA bit in the RICR and the RSIE and MIE bits in the ICR are all 1.

Once an overflow has occurred, the Receiver doesn't put any more received data in the RxFIFO (even if the external processor/arbiter grants the bus and the Rx DMA channel stores some or all of the data from the FIFO into memory) until software responds. The proper software response is to:

1. Stop the Rx DMA channel (if used)
2. Write an "Enter Hunt Mode" command to the RCSR

5.23 HANDLING OVERRUNS AND UNDERRUNS (Continued)

3. On an USC manufactured after June of 1993, write a "Purge Rx" command to the CCAR. On an earlier device, write a "Purge Rx FIFO" command to the CCAR and write a 1 to the "Clear RCCF" bit in the CCSR.
4. Reprogram the Rx DMA channel (if used) to point to the start of the frame in which the overrun occurred.
5. Start the Rx DMA channel (if used)
6. If the Overrun condition is armed for interrupt, write a 1 to RCSR1 to clear the status bit.
7. If Overrun and other conditions are armed to cause Receive Status interrupts, clear all the IA bits in the RICR and then restore those that should be Armed.

5.23.3 Rx Overrun "Scribbling"

USCs manufactured prior to June of 1993 have a special problem with Rx Overruns. When the end of a frame or message arrives, the USC sets an internal state that forces the Rx DMA request to store the end of the frame. Normally, this state is cleared when the software or the Rx DMA channel reads the last character of the frame from the RDR/RxFIFO. However, if a frame ends while the Receiver is overrun, the logic sets the internal state as usual, but there's nowhere to store the RxBound character that will clear this state. The result is that the Receiver keeps requesting that the Rx DMA channel store data, and providing the entire contents of the RxFIFO again and again, until the Rx DMA channel runs out of buffers to store into, or until software responds to the overrun condition and stops the scribbling by purging the RxFIFO.

However, the scribbling activity itself handicaps the processor from executing the interrupt service routine efficiently until the Rx DMA channel runs out of buffers. If it's important to stop the scribbling ASAP:

1. Use any resources provided in the DMA controller to limit its activity in each period of bus control.

2. Give interrupts from the USC the highest possible priority.

If the DMA controller provides bandwidth-limiting means, the first step should allow the processor enough bandwidth to slowly execute the ISR and terminate the scribbling.

5.23.4 Fill Level Correctness and Extra Bytes

With USCs manufactured before June 1993, certain worst-case interarrivals of serial clocking and bus timing could result in transient states in which the RxFIFO and Tx FIFO counts were incorrect. When software read these counts and transferred data to the TDR or from the RDR, it could work around such problems by the classic data acquisition technique of reading a count until two successive readings agreed. USCs manufactured after June 1993 include logical interlocks so that these counts will always be correct and need only be read once.

These interlocks have also eliminated a related problem, in which a received character was completed just as a USC Receiver was deciding to withdraw its Receive DMA request because the external Rx DMA controller had emptied the RxFIFO. Under worst-case interarrivals, the logic would maintain the request on a 16-bit bus even though the RxFIFO contained only a single newly-received character. The DMA channel would then do a 16-bit transfer, so that the observable symptom of the problem was that occasionally, "extra characters" would appear in the received data stream. Such phenomena will not occur with USCs manufactured after June 1993.

5.24 BETWEEN FRAMES, MESSAGES, OR CHARACTERS

5.24.1 Synchronous Transmission

When software issues a “Set EOF/EOM” command and then writes data to a channel’s TDR, or when the TCC is enabled and software or an external Transmit DMA controller fetches enough data so that the TCC counts down to zero, the channel flags the last character of the message or frame in the Tx FIFO. After this last character passes through the Tx FIFO and out onto the serial link, the Transmitter terminates the frame or message. The Transmitter also terminates a frame or message if it needs a character from the Tx FIFO but it’s empty (an “underrun” condition). The Transmitter’s exact actions at these points depend on the serial mode/protocol and perhaps on certain programmed options.

If the TxCRCatEnd bit in the Transmit Mode Register (TMR8) is 1, the Transmitter sends the CRC code it has accumulated during the frame, after a character marked as the end of a frame or message. If the TxSubMode field says to do so, the Transmitter sends its accumulated CRC in an underrun situation. The CRC can be 16 or 32 bits long.

After sending a CRC for either reason, or right after the last character from the Tx FIFO if it doesn’t send the CRC, except in 802.3 (Ethernet) mode the Transmitter sends a closing Sync or Flag sequence as determined by the TxMode and sometimes the TxSubMode, as follows:

TxMode	Closing sequence:
Monosync	(TSR15-8)
Slaved Monosync	(TSR15-8)
Bisync	(TSR15-8) if CMR14=0 (TSR7-0)(TSR15-8) if CMR14=1
Transparent Bisync	SYN if CMR14=0 DLE-SYN if CMR14=1 (ASCII or EBCDIC per CMR12)
802.3 (Ethernet)	None
HDLC/SDLC	Flag (01111110)
HDLC/SDLC Loop	Flag (01111110)

Then, or right after sending the CRC in 802.3 (Ethernet) mode, the Transmitter decides whether to send another frame or message immediately or not. In HDLC/SDLC Loop mode only, when it sends a closing or idle Flag the Transmitter checks whether software has cleared the CMR13 bit to signal the end of sending activity. If so, it returns to repeating data from RxD onto Tx D. In any other mode, and in Loop mode if CMR13 is 1, the Transmitter commits to sending a new message or frame when:

- 1a. The UnderWait bit (CCSR11) is 0 and/or the TxCtrlBlk field (CCR15-14) is 0x, and there is at least 1 character in the Tx FIFO, or
- 1b. UnderWait is 1 and TxCtrlBlk is 10, and the Tx FIFO is full or a complete frame has been placed in the Tx FIFO, and
- 2a. Either the Wait2Send bit in the Transmit Interrupt Control Register (TICR2) is 0, or
- 2b. Software has written the “Send Frame/Message” command to the TCmd field of the Transmit Command/Status Register (TCSR15-12) since the end of the last frame.

If these conditions aren’t met, the Transmitter sends the “Idle line condition” specified by the **TxIdle** field of the Transmit Command/Status Register (TCSR10-8). This field also determines what the Transmitter sends between characters in async modes. The Transmitter interprets TxIdle as follows:

TxIdle Idle Line Condition

000	The idle line condition is the default for the mode/protocol defined by TxMode: * All ones in 802.3 and all async modes. * Flags in HDLC/SDLC and HDLC/SDLC Loop. * Sync sequences in Monosync, Slaved Monosync, Bisync, and Transparent Bisync. (In the Bisync modes these are like closing Syncs: they may be single characters or pairs based on CMR14.)
001	Alternating zeroes and ones
010	Continuous zeroes
011	Continuous ones
100	Reserved; do not program
101	Alternating Mark and Space
110	Continuous Space (Tx D low)
111	Continuous Mark (Tx D high)

With choices 000-011, the Transmitter encodes the Idle condition as specified by the TxEncode field of the Transmit Mode Register (TMR15-13), while for choices 101-111 it doesn’t encode the condition. Software can use these idle-condition options to keep Phase Locked Loop and decoding circuits at the remote receiver “in sync” between messages, frames, or async characters. Consider the sections of Chapter 4 that deal with data encoding and the DPLL, and whatever standards or specifications apply to your application, in selecting how to program TxIdle.

5.24 BETWEEN FRAMES, MESSAGES, OR CHARACTERS (Continued)

In sync modes, once the conditions to start sending a message or frame (described above) are met, the Transmitter may send a bit sequence called a Preamble. A Preamble can be used to synchronize Phase Locked Loop and decoding circuits at the remote receiver, or, for USCs manufactured after June 1993, to guarantee a minimum number of Flags between HDLC/SDLC frames. Whether the Transmitter sends a Preamble is a function of the TxMode and sometimes the TxSubMode, as follows:

TxMode	Preamble sent?
Monosync	If CMR13=1
Slaved Monosync	Never
Bisync	If CMR13=1
Transparent Bisync	If CMR13=1
802.3 (Ethernet)	Always
HDLC/SDLC	If CMR13=1
HDLC/SDLC Loop	Never

If the Transmitter sends a Preamble, the **TxPreL** and **TxPrePat** fields of the Channel Control Register (CCR11-10 and CCR9-8) control its length and content:

TxPreL	Length of Preamble Sent
00	8 bits
01	16 bits
10	32 bits
11	64 bits

TxPrePat	Preamble Pattern Sent
00	All zeroes
01	All ones, or Flags
10	101010...
11	010101...

For HDLC/SDLC mode, if TxPrePat is 01 and the **FlagPreamble** bit in the Channel Control Register (CCR12, see Figure 5-17) is 1, a USC manufactured after June 1993 sends 1, 2, 3, 4, or 8 Flags as the Preamble. Including the opening and closing Flags, this guarantees a minimum of 3, 4, 6, or 10 Flags between frames respectively. This is useful when sending to certain kinds of equipment that can't handle less Flags, or as a means of slowing the gross frame rate slightly, perhaps as a "congestion management" measure.

FlagPreamble should be 0 in all other modes. For 802.3 (Ethernet) mode, program TxPreL=11 and TxPrePat=10; the Transmitter automatically modifies the last (64th) bit from a 0 to a 1 to act as the "start bit". For other modes, consider the sections of Chapter 4 that deal with data encoding and the DPLL, and whatever standards or specifications apply to your application, in deciding whether to use a preamble and if so what kind.

After sending the Preamble, or when the conditions for starting a frame have been met if there is no Preamble, except in 802.3 (Ethernet) mode the Transmitter sends an opening Flag or Sync sequence. In the two Bisync modes this may differ from the closing sequence:

TxMode	Opening sequence
Monosync	(TSR15-8)
Slaved Monosync	(TSR15-8)
Bisync	(TSR7-0)(TSR15-8)
Transparent Bisync	DLE-SYN (ASCII or EBCDIC per CMR12)
802.3 (Ethernet)	None
HDLC/SDLC	Flag (01111110)
HDLC/SDLC Loop	Flag (01111110)

In the HDLC/SDLC and HDLC/SDLC Loop modes only, the Transmitter will combine the closing and opening Flags into a single instance if software has not selected sending a Preamble (CMR13=0; this doesn't apply in Loop mode), and the conditions for starting a frame (described earlier in this section) are met as the Flag is going out.

As described in the earlier section 'Status Reporting', software can use four of the bits in the Transmit Command/Status Register (TCSR) to track the progress of the Transmitter through these inter-frame activities. They occur in the time order CRCSent, then EOF/EOM Sent, IdleSent, and finally PreSent. Chapter 7 describes how software can enable any or all of these conditions to cause an interrupt.

5.24.2 Async Transmission

As described in the previous section, the TxIdle field of the Transmit Command/Status Register (TCSR10-8) controls what kind of idle line condition the Transmitter sends between characters (or words) in asynchronous modes. The bits in the Channel Command Register that define the Preamble in sync modes (CCR11-8) can be used in Async mode to "shave" the length of transmitted Stop bits.

5.24.3 Synchronous Reception

Between the end of one message or frame and the start of the next, the Receiver goes through states that are similar to the inter-message or inter-frame activities that are described above for the Transmitter. As described in the earlier section 'Status Reporting', software can use some or all of the following status bits to track these state changes: RxBound (RCSR4), CRCE/FE (RCSR3), IdleRcvd (RCSR6), and ExitedHunt (RCSR7). If the DPLL is used, Chapter 4 describes the DPLLSync bit in the Channel Command/Status Register (CCSR12) which bears a certain symmetry with the PreSent bit on the Transmit side. Chapter 7 describes how software can enable the RxBound, IdleRcvd, and/or Exited Hunt conditions to cause an interrupt.

The IdleRcvd logic isn't as flexible as the corresponding TxIdle logic in the Transmitter, in that it only detects an Idle condition consisting of 15 or 16 consecutive ones.

In HDLC/SDLC mode the Receiver automatically copes with single Flags between frames and with shared zeroes between Flags (011111101111110).

5.25 SYNCHRONIZING FRAMES/MESSAGES WITH SOFTWARE RESPONSE

In some applications, software can simply set up DMA buffers for multiple frames or messages, and set the USC's Transmitter and/or Receiver and external DMA controller(s) into operation to send and/or receive all of them. In other applications, software has to interact with and supervise the communications process more closely. (The extreme case is when software has to check status register bits for each character that it transfers to the TxFIFO or from the RxFIFO.)

The USC provides two alternatives for interlocking the start of transmission of a frame or message with software response, and one similar interlock on the receive side.

Note that all three of these interlocks apply only after the end of a frame, not before the first frame sent or received.

If the **Wait2Send** bit in the Transmit Interrupt Control Register (TICR2) is 1, then each time the Transmitter finishes sending a frame and before it sends the next, it waits for software to write the Send Frame/Message command to the TCmd field of the Transmit Command/Status Register (TCSR15-12). Depending on the programmed mode the Transmitter may then go on to send the Preamble or the opening Sync or Flag. This kind of interlock allows the software to reprogram global Transmitter parameters that may need to change between frames or messages. It allows an external Transmit DMA controller (or software) to fill the TxFIFO in preparation for the next frame or message, before software issues the Send Frame/Message command. One use for this interlock would be to change the TxCRCatEnd bit in the Transmit Mode Register (TMR8) between frames, in an application in which the Transmitter should calculate a CRC in some messages or frames but not in others.

If the **Wait4TxTrig** bit in the Channel Control Register (CCR13) is 1, then each time the Transmitter finishes sending a frame and before it sends the next, it waits for software to issue the Trigger Tx DMA (or Trigger Rx and Tx DMA) command before it requests DMA operation. This is a "more stringent" interlock than the preceding one, in that the external Transmit DMA controller won't fill the TxFIFO in preparation for the next frame, until software issues the command. This kind of interlock is useful if DMA-related parameters, or parameters that go through the TxFIFO with the data, need to be changed between frames. The most obvious example is reprogramming the buffer location and length in the Transmit DMA controller.

On the Receive side, if the **Wait4RxTrig** bit in the Channel Control Register (CCR5) is 1, then after an external Receive DMA controller has written a character marked as RxBound to memory (and after it has written the Receive Status Block if software has enabled this feature) the Receiver doesn't assert /RxREQ to the Receive DMA controller again until software writes the Trigger Rx DMA (or Trigger Rx and Tx DMA) command to the RTCmd field of the Channel Command/Status Register (CCAR15-11). Software can use this interlock to reprogram the Receive DMA controller between frames.

© 1997 by ZiLog, Inc. All rights reserved. No part of this document may be copied or reproduced in any form or by any means without the prior written consent of ZiLog, Inc. The information in this document is subject to change without notice. Devices sold by ZiLog, Inc. are covered by warranty and patent indemnification provisions appearing in ZiLog, Inc. Terms and Conditions of Sale only. ZiLog, Inc. makes no warranty, express, statutory, implied or by description, regarding the information set forth herein or regarding the freedom of the described devices from intellectual property infringement. ZiLog, Inc. makes no warranty of merchantability or fitness for any purpose. ZiLog, Inc. shall not be responsible for any errors that may appear in this document. ZiLog, Inc. makes no commitment to update or keep current the information contained in this document.

Zilog's products are not authorized for use as critical components in life support devices or systems unless a specific written agreement pertaining to such intended use is executed between the customer and ZiLog prior to use. Life support devices or systems are those which are intended for surgical implantation into the body, or which sustains life whose failure to perform, when properly used in accordance with instructions for use provided in the labeling, can be reasonably expected to result in significant injury to the user.

Zilog, Inc. 210 East Hacienda Ave.
Campbell, CA 95008-6600
Telephone (408) 370-8000
Telex 910-338-7621
FAX 408 370-8056
Internet: <http://www.zilog.com>



CHAPTER 6

DIRECT MEMORY ACCESS (DMA) INTERFACING

6.1 INTRODUCTION

Chapter 5 described many of the features of the USC[®] that support handling serial traffic via DMA, that is, without processor intervention on a byte-by-byte basis. This chapter describes how to interface external DMA controllers and how to program the USC to work with them.

DMA and processor data transfers can be mixed in several ways. The USC's two Receivers and two Transmitters can be handled via any mixture of DMA and programmed transfers. Furthermore, software can even mix DMA and programmed transfers for a particular Receiver or Transmitter.

For example, software could use the Wait4RxTrig bit (CCR13) to inhibit DMA transfers at the start of each received frame, so that it can read the first few characters of the frame from the RxFIFO itself. The software can then determine the kind of frame from examining those first characters, optionally program the receive DMA controller accordingly, and then write the "Trigger Rx DMA" command to the RTCmd field of the Channel Command/Address Register (CCAR15-11). The DMA controller can then transfer the rest of the frame into memory without further software intervention.

6.2 FLYBY VS. FLOWTHROUGH DMA OPERATION

DMA controllers can operate in one of two ways that are called "flyby" or single-cycle mode and "flowthrough" or two-cycle mode. Figures 6-1 and 6-2 illustrate flowthrough mode, in which the DMA controller performs two bus cycles for each piece of data transferred between the peripheral device and memory. The first cycle reads data from the source, be it the peripheral or the memory. The DMA controller captures this read data and then presents it on the data bus again in the second cycle, which is a write to memory if the data came from the device, or a write to the device if the data came from memory.

The main advantage of flowthrough transfers is that they involve minimal hardware design considerations, because both cycles of each pair are similar to bus cycles performed by the host processor. In the case of the USC there's a secondary advantage in that the /TxACK and/or /RxACK pin(s) can be used for general-purpose input or output.

6.2 FLYBY VS. FLOWTHROUGH DMA OPERATION (Continued)

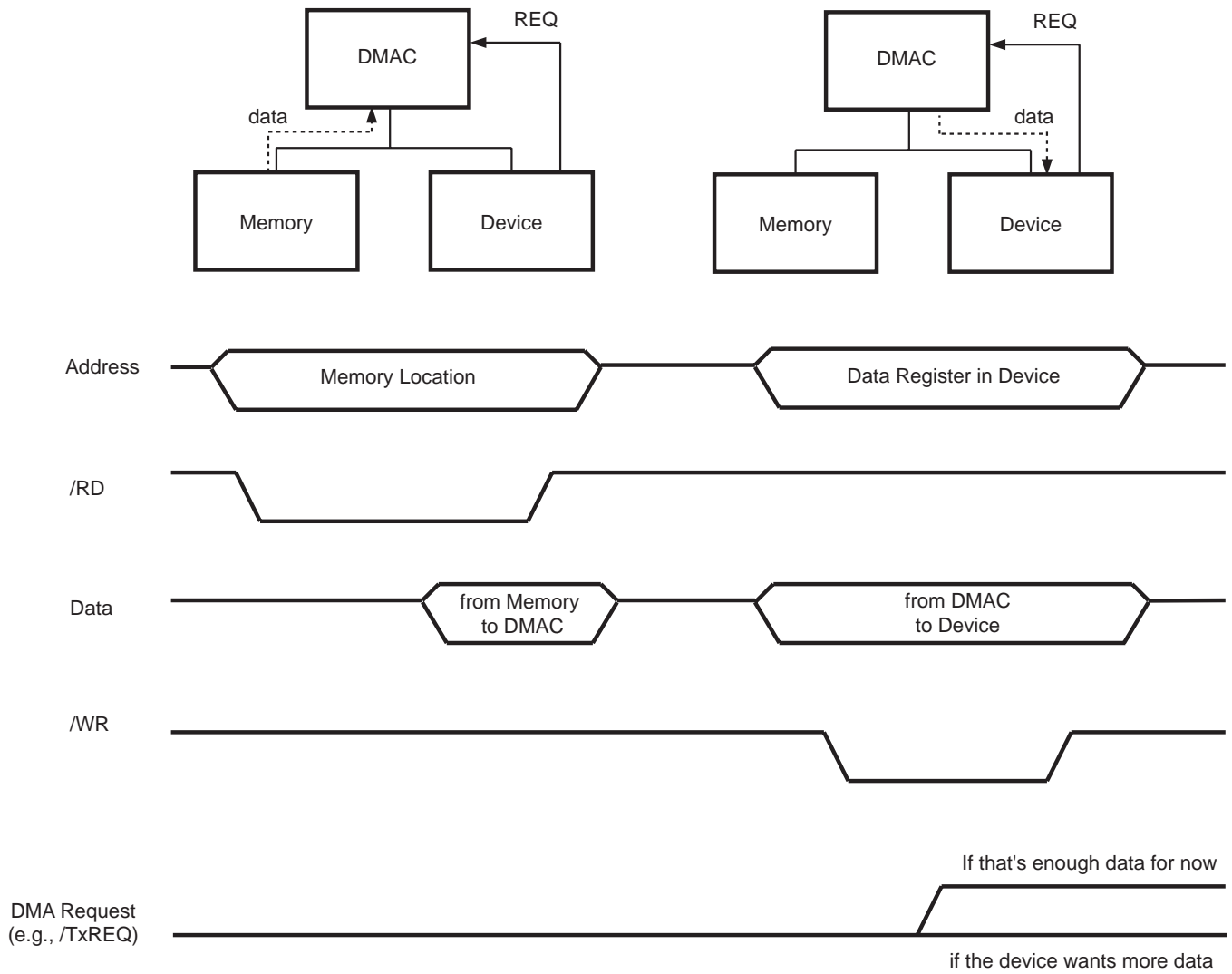


Figure 6-1. Flowthrough DMA Transfer, Memory to Peripheral Device

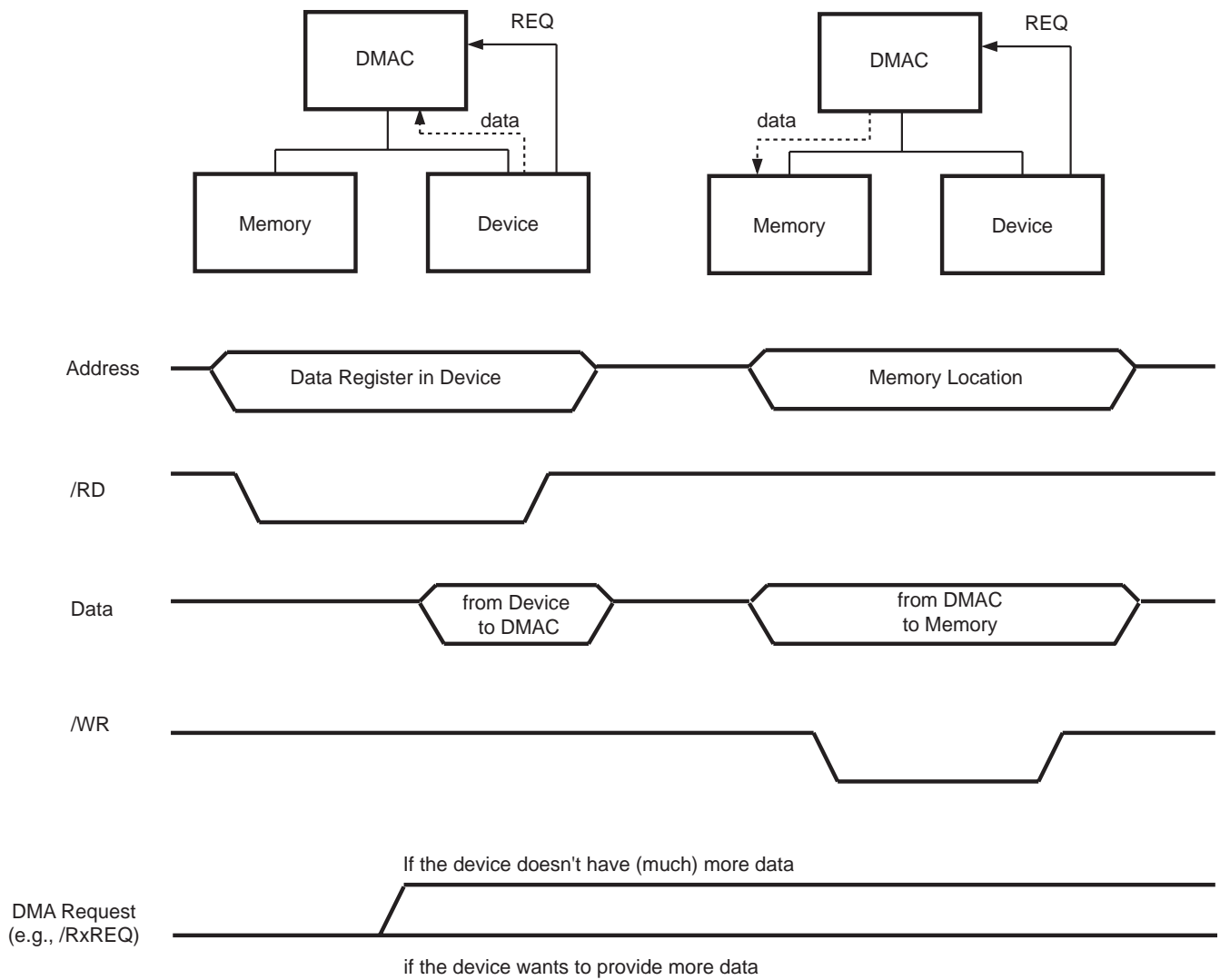


Figure 6-2. Flowthrough DMA Transfer, Peripheral Device to Memory

6.2 FLYBY VS. FLOWTHROUGH DMA OPERATION (Continued)

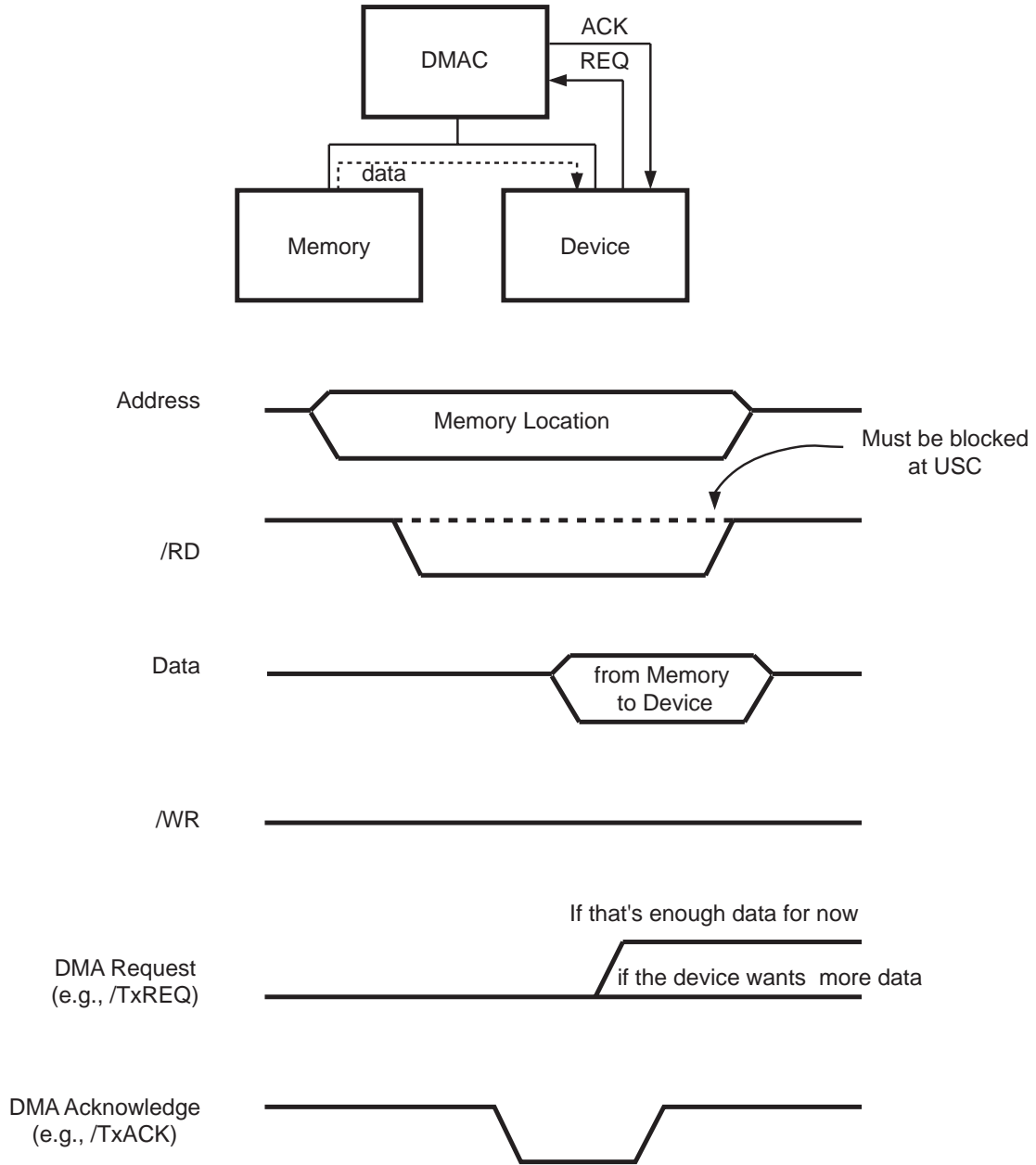


Figure 6-3. Flyby DMA Transfer, Memory to Peripheral Device

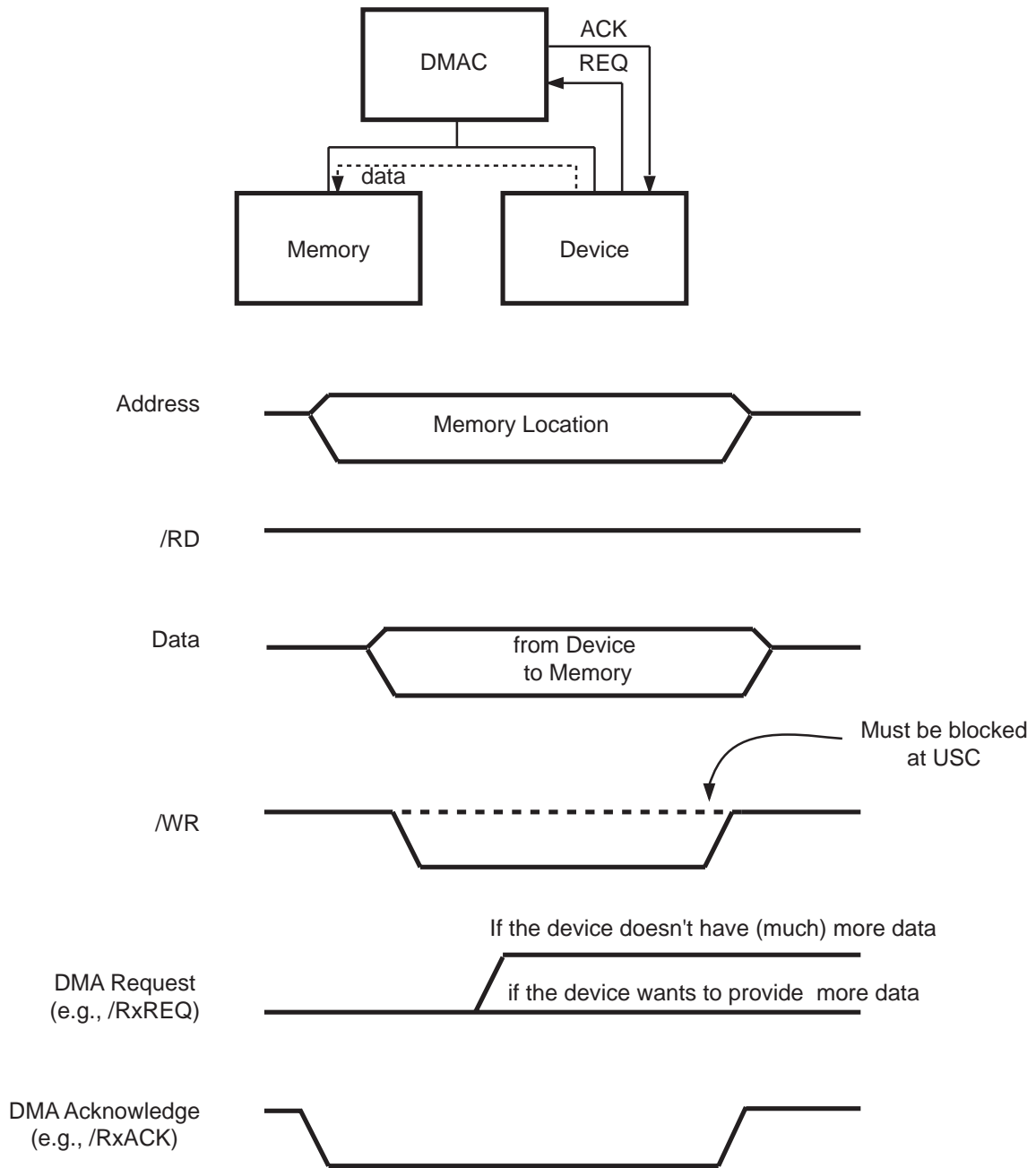


Figure 6-4. *Flyby DMA Transfer, Peripheral Device to Memory

6.2 FLYBY VS. FLOWTHROUGH DMA OPERATION (Continued)

Figures 6-3 and 6-4 illustrate flyby (single-cycle) operation. In addition to the Request signal from the device to the DMA controller, there's an Acknowledge signal from the DMAC back to the device. The DMA controller performs just one bus cycle for each piece of data transferred, in which the address lines and standard bus control signals tell the memory what to do to fulfill its part in the transaction. But in addition to this signalling, the DMA controller asserts the Acknowledge line to the device to tell it to perform its part, i.e. to place data on the data lines for a write to memory, or to capture data that's being read from memory.

The main advantage of flyby mode is faster operation, but there's a price to be paid in greater design complexity. Most DMA controllers place this burden mostly on the device side, and try to make DMA cycles appear to the memory as much like processor cycles as possible.

The USC's Transmitters and Receivers can operate in either mode, with one important covenant for flyby operation. Chapter 2 noted that only one among /DS, /RD, /WR, /PITACK, and those /TxACK and /RxACK pins that are used as DMA Acknowledge lines, may be asserted at the same time. While system designers usually think of signals like /DS, /RD, and /WR as being important only when they're qualified by assertion of /CS, the above restriction is true regardless of the state of /CS.

Since the DMA controller typically asserts /DS or /RD or /WR to the memory during a flyby DMA cycle, in order to use flyby transfers **the system designer must provide external logic that blocks /DS, or /RD and /WR, from being asserted at the USC simultaneously with /TxACK or /RxACK.** The simplest way to do this is with a logic gate or two to keep the pin(s) high whenever the DMA controller is in control of the system bus.

6.3 DMA REQUESTS BY THE RECEIVER AND TRANSMITTER

In general, a DMA controller only transfers data when the associated device requests that it do so. To use either flowthrough or flyby DMA operation with a USC Receiver or Transmitter, connect the /RxREQ or /TxREQ pin to the Request input of the DMA controller, and program the RxRMode or TxRMode field (IOCR9-8 or IOCR11-10 respectively) to 01. The 01 value makes the channel output the Receiver's or Transmitter's DMA request on /RxREQ or /TxREQ.

A USC channel asserts /TxREQ to the transmit DMA controller as follows:

- 1a. the Transmitter is enabled (in TMR1-0), and
- 1b. TxRMode (IOCR11-10) is 01, and
- 1c. the Transmitter isn't sending the end of a frame, as described below, and
- 1d. the Transmitter isn't waiting for a Trigger command, as described below, and either
 - 1e1. the number of empty character positions in the TxFIFO is larger than the DMA Request Level value programmed into T1CR15-8 after a "Select T1CRhi=TxREQ Level" command, or
 - 1e2. the USC channel is already asserting /TxREQ and the TxFIFO isn't full
2. from the time software writes a Trigger Channel Load DMA command to the Channel Command/Address register (CCAR), until a DMA transfer into CCAR clears the ChanLoad bit (CCAR7).

Point 1c. reflects the fact that, in HDLC/SDLC, HDLC/SDLC Loop, 802.3, or Transparent Bisync, the Transmitter

stops requesting further DMA transfers after the DMA controller fetches the last character of one frame, until it has sent that character and terminated the frame or message. The Transmitter does this so that the possible loading of the TCB information for a new frame doesn't affect sending the end of the preceding frame.

Point 1d. above applies when the Wait4TxTrig bit in the Channel Control Register (CCR13) is 1 in HDLC/SDLC, HDLC/SDLC Loop, 802.3, or Transparent Bisync. In this case, after sending the end of a message or frame (and thus leaving the "waiting to send the end of a frame" state noted in 1c.), the Transmitter doesn't assert /TxREQ until software writes a "Trigger Tx DMA" command to the RTCmd field of the Channel Command/Address Register (CCAR15-11).

A USC Receiver asserts /RxREQ to an external DMA controller when:

- A. the Receiver is enabled (in RMR1-0), and
- B. RxRMode (IOCR9-8) is 01, and
- C. the Receiver isn't waiting for a Trigger command as described below, and either
 - D1. the Receiver is forcing out completed frame(s) as described below, or
 - D2. the number of received characters in the Rx FIFO is larger than the DMA Request Level value programmed into RICR15-8 after a "Select RICRhi=TxREQ Level" command, or
 - D3. the Receiver is already asserting /RxREQ, it did not just complete forcing out a frame, and the Rx FIFO still has at least two characters in it on a 16-bit bus, or at least one character in it on an 8-bit bus.

“Forcing out a frame” in D1. above applies only in HDLC/SDLC, HDLC/SDLC Loop, 802.3, or Transparent Bisync, and operates differently on USCs manufactured before or after June 1993.

On the older devices, the Receiver set a state that forced /RxREQ to be asserted when the end of a frame was received, and cleared this state whenever the Rx DMA controller read out the last character of a frame. Newer devices operate similarly when no Receive Status Blocks or 16-bit RSBs are enabled, except that they also clear the state when the Rx DMA channel reads out a character with Overrun status. (The latter avoids a problem called “scribbling” wherein the Receiver kept requesting DMA transfer constantly if the end of a frame arrived while the Receiver was Overrun.)

When 32-bit RSBs are enabled, USCs manufactured after June 1993 assert /RxREQ whenever the RCC FIFO is not empty, that is, when the RCCFAvail bit (CCSR14) is 1. Since these devices take the second word of a 32-bit RSB from the RCC FIFO, this approach represents a frame-forcing mechanism that operates optimally even when more than one end-of-frame character is in the RxFIFO at the same time.

Regardless of the age of the device, it maintains an EOF-forcing /RxREQ until the Rx DMA channel reads out a completed Receive Status Block if RSBs are enabled, or else until it reads out the last received character of a frame (which is typically part of a CRC).

“Waiting for a Trigger Command” (in item C. above) occurs only when the Wait4RxTrig bit in the Channel Control Register (CCR5) is 1 in HDLC/SDLC, HDLC/SDLC Loop, 802.3, or Transparent Bisync. In this case, after the Rx DMA channel reads out the end of a message or frame including the RSB if any (thus clearing the EOF-forcing state of D1. above), the Receiver negates /RxREQ and doesn't assert it again until software writes a “Trigger Rx DMA” command to the RTCmd field of the Channel Command/Address Register (CCAR15-11). This interlock can be used to read the length of the frame from the Rx DMA channel, and/or to reprogram the Rx DMA channel for the next frame. This interlock overrides points A and B above.

The Receive Character Counter feature cannot force the Receiver to assert /RxREQ.

A channel negates /TxREQ within a specified time of the start of the bus cycle that fills the Tx FIFO or fetches the last character of the frame or message. A channel negates /RxREQ within a specified time after the start of a bus cycle that empties the Rx FIFO or completes the storing of the Receive Status Block.

6.3.1 Programming the DMA Request Levels

As noted in other chapters, the MSByte of the Transmit and Receive Interrupt Control Registers (TICR and RICR) may each represent any of several registers. The content of each register's MSByte depends on which of several selection commands was most recently written to the Transmit or Receive Command Status Register (TCSR or RCSR), respectively. The selections for the Transmitter and Receiver are independent.

To program or read back a DMA Request Level, first write the “Select RICRHi=/RxREQ Level” or “Select TICRHi=/TxREQ Level” command (both being the value 0111) to the TCmd or RCmd field of the Transmit or Receive Command/Status Register (TCSR15-12 or RCSR15-12). This step can be omitted if it's known that no 0101 or 0110 commands have been written to TCSR or RCSR since the last time 0111 was written there. The DMA Request Level value can then be read or written as the MSByte of the TICR or RICR.

The Transmit DMA Request Level should be programmed with 1 less than the number of empty Tx FIFO positions, at which the Transmitter should start asserting /TxREQ. The Receive DMA Request Level should be programmed with 1 less than the number of received characters in the Rx FIFO, at which the Receiver should start asserting /RxREQ. For example, if the Receiver should request DMA operation when its 32-byte Rx FIFO is 3/4 full, software should write hex 70 to RCSR15-8 to select the DMA Request Level as RICR15-8, and then write decimal 23 (hex 17) to RICR15-8.

Both DMA Request Levels must be programmed to at least 1 when using 16-bit DMA transfers.

It is good programming practice to follow the writing of Request Level(s) with writing a “Select RICRHi=FIFO Status” command to the RCSR, and/or a “Select TICRHi=FIFO Status” command to the TCSR as applicable, to protect the Request Level(s) from inadvertent modification when other parts of the software change the IA bits in the LS byte of the RICR or TICR.

6.3.1 Programming the DMA Request Levels (Continued)

Code that writes or reads a DMA Request threshold must ensure that no interrupts will occur between the time it writes the “Select xICRHi=REQ Level” command to the TCSR or RCSR, and when it writes or reads the value in the TICR or RICR, if such interrupts can lead to other code writing a different Select command (for TSA data, the FIFO

Fill Level, or interrupt threshold) to the same Command/Status Register.

Note that a Purge Tx FIFO (or Purge Rx and Tx FIFO) command can make a channel immediately assert /TxREQ.

6.4 DMA ACKNOWLEDGE SIGNALS

Each channel of the USC has a /TxACK and an /RxACK pin. In modes other than flyby DMA operation, these pins can be used as outputs or as polled inputs, as described in Chapter 3. For flyby DMA applications, connect these pins to the acknowledge outputs of the DMA controller, and program the RxAMode and TxAMode fields of the Hardware Configuration Register (HCR3-2 and HCR7-6) with 01. The 01 value makes the USC route the signals from these pins to the DMA Acknowledge inputs of the Receiver and Transmitter.

/TxACK. If the /WAIT//RDY pin is configured for the Ready (Data Transfer Acknowledge) function as described in Chapter 2, the USC channel drives /WAIT//RDY low after either /TxACK or /RxACK goes low. Note that, in a system in which the DMA controller requires a Ready or Data Transfer Acknowledge signal, external logic will probably want to condition and combine /WAIT//RDY from the USC and the corresponding signal from the memory, to produce the signal for the DMA controller.

The USC channel provides data on the AD lines within a specified time after /RxACK goes low. For Transmit DMA cycles, data must be valid on the AD lines for specified setup and hold times around each trailing/rising edge on

6.5 SEPARATING RECEIVED FRAMES IN MEMORY

In some block-oriented communications protocols, software needs to separate received frames or messages so that there is one and only one in each buffer area in memory. Since the only signals between the USC and an external DMA controller are REQ and ACK, there's no way for the USC to tell the DMAC about frame/message boundaries. Therefore there's no way for the DMA transfer process to automatically separate frames/messages in memory by hardware means, and if such separation is to be done it must be by means of software intervention between frames.

As described in an earlier section of this chapter, a USC Receiver asserts the /RxREQ pin when it places a character with end of frame/message (RxBound) status in the Rx FIFO, regardless of the FIFO fill level. This promotes separation of received frames/ messages in memory.

The channel then keeps /RxREQ asserted at least until the DMA channel moves the RxBound character from the Rx FIFO to memory, at which time the channel sets the

RxBound status bit (RCSR4). If the Receive Status interrupt on RxBound is armed and enabled, software can respond to the resultant interrupt by reprogramming the DMA channel for the next memory buffer and restarting it to store the next frame there.

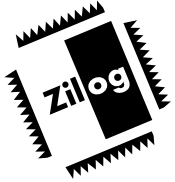
However, this feature is not in itself a complete solution because the USC may go on to store the first few characters of the next frame at the end of the preceding frame's memory buffer, before software can reprogram the DMA controller for the next buffer.

The answer to this problem is to use the Wait4RxTrig bit (CCR5) that's described near the end of Chapter 5. When this bit is set to 1, the USC channel negates /RxREQ as it moves the RxBound character to memory or completes storing the Receive Status Block. Software can then respond to the Receive Status interrupt, reprogram the DMA channel for the next frame, and finally write the “Trigger Rx DMA” command to the RTCmd field (CCAR15-11) to allow the channel to assert /RxREQ again.

© 1997 by ZiLog, Inc. All rights reserved. No part of this document may be copied or reproduced in any form or by any means without the prior written consent of ZiLog, Inc. The information in this document is subject to change without notice. Devices sold by ZiLog, Inc. are covered by warranty and patent indemnification provisions appearing in ZiLog, Inc. Terms and Conditions of Sale only. ZiLog, Inc. makes no warranty, express, statutory, implied or by description, regarding the information set forth herein or regarding the freedom of the described devices from intellectual property infringement. ZiLog, Inc. makes no warranty of merchantability or fitness for any purpose. ZiLog, Inc. shall not be responsible for any errors that may appear in this document. ZiLog, Inc. makes no commitment to update or keep current the information contained in this document.

Zilog's products are not authorized for use as critical components in life support devices or systems unless a specific written agreement pertaining to such intended use is executed between the customer and ZiLog prior to use. Life support devices or systems are those which are intended for surgical implantation into the body, or which sustains life whose failure to perform, when properly used in accordance with instructions for use provided in the labeling, can be reasonably expected to result in significant injury to the user.

Zilog, Inc. 210 East Hacienda Ave.
Campbell, CA 95008-6600
Telephone (408) 370-8000
Telex 910-338-7621
FAX 408 370-8056
Internet: <http://www.zilog.com>



CHAPTER 7

INTERRUPTS

7.1 INTRODUCTION

The interrupt subsystem of the USC derives from Zilog's long experience in providing the most advanced interrupt capabilities in the microprocessor field. These capabilities can be used to their best advantage in a system including a Zilog processor and other Zilog peripherals, but it's easy to interface the USC to interrupt other processors as well. This chapter describes the USC's interrupt capabilities and how to use them in various system applications.

The USC dedicates eight pins to interrupts. Each channel has its own interrupt request output (/INTA and /INTB). The /SITACK and /PITACK inputs signal that the processor is acknowledging an interrupt, in different ways for use with different kinds of host microprocessors.

For applications in which interrupt acknowledge cycles cannot easily be detected at the USC, software can simulate such a cycle.

Each channel has its own Interrupt Enable In (IEIA, IEIB) and Out (IEOA, IEOB) pins. These signals allow systems including several Zilog-compatible peripherals to use an Interrupt Acknowledge Daisy Chain to select how multiple interrupting devices should be serviced. This can eliminate the need for a separate interrupt controller. On the other hand, because the USC provides separate Interrupt Request outputs and Interrupt Enable inputs for each channel, external interrupt control logic can process interrupt requests in a round-robin or dynamic-priority fashion among the channels in one or more USCs and/or other peripheral devices.

7.2 INTERRUPT ACKNOWLEDGE DAISY-CHAINS

Figure 7-1 shows an interrupt acknowledge daisy-chain. The highest-priority daisy-chainable device that can request an interrupt has its IEI pin tied High. Because of this, it can always request an interrupt, and it "has first claim at" providing an interrupt vector in answer to an interrupt acknowledge cycle. The IEO pin of the highest-priority device is connected to the IEI pin of the next-higher-priority device. This "daisy chaining" of IEO outputs to IEI inputs continues until the lowest-priority daisy-chainable device that can request an interrupt, which has its IEO pin left unconnected.

With the USC as with all Zilog-compatible devices except Z80® family members, the IACK daisy chain serves two separate functions. **During** an interrupt acknowledge cycle, the daisy chain acts to select the highest-priority request-

ing device as the one to return an interrupt vector. **After that**, until the resulting interrupt service routine is over, the daisy chain serves to block interrupt requests from devices having a lower priority than that of the one currently being serviced, while allowing them from higher-priority devices.

This daisy-chain structure allows nesting of interrupt service routines. Nesting can greatly improve worst-case interrupt response times for critical real-time applications as well as I/O-intensive computing systems. Whether or not host software uses nested interrupts, the USC's interrupt subsystem provides the most efficient interrupt handling possible.

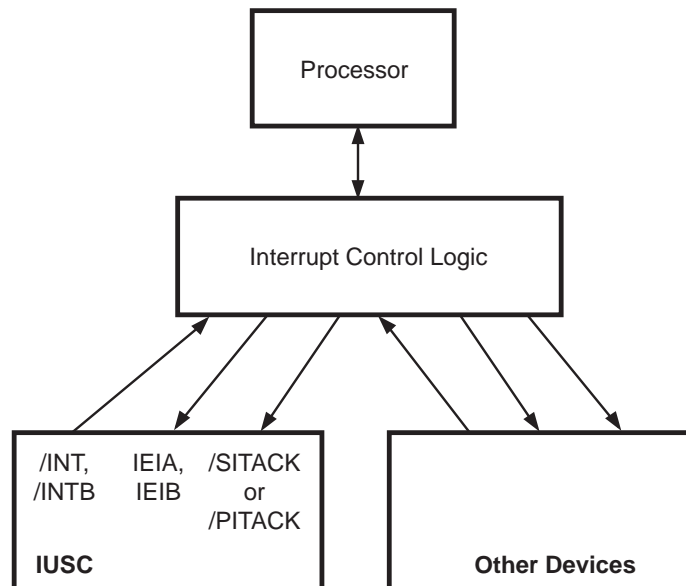


Figure 7-2. External Interrupt Control

7.4 USING /RXREQ AND /TXREQ AS INTERRUPT REQUESTS

When an external DMA controller isn't used to handle the Receive or Transmit data for a channel, the corresponding REQ pin isn't used to output a DMA transfer request. In this case software can still program the pin as a "DMA request" output, and the system designer can use the output signal as another interrupt request instead.

As we will see, software can program "interrupt request levels" to determine when a FIFO asserts the /INT pin. These request levels are similar to those discussed in Chapter 6 for the way the FIFO controls its REQ pin. A system designer can use /TxREQA, /TxREQB, /RxREQA, or /RxREQB for another interrupt request line. This is particularly advantageous in a system in which the host processor has multiple interrupt request levels, and the software allows/uses nested interrupts. In such a system, the REQ pin(s) can be connected to a different request level than is the /INT pin, so that data interrupts have a different priority than other kinds of interrupts.

The 'DMA Requests by the Receiver and Transmitter' section of Chapter 6 describes how a channel asserts the REQ pin until the software has completely filled the TxFIFO or emptied the RxFIFO, or until the end of the message/frame, whichever comes first. This differs from how a channel asserts its /INT output, and means that an interrupt service routine must take or provide data until the FIFO is full or empty or until the end of the frame or message, in order to avoid immediate re-interruption.

7.5 INTERRUPT TYPES AND SOURCES

Internally, the USC uses a daisy-chaining scheme much like that described earlier. Each channel includes six interrupt "types", that are arranged in a fixed priority order. Four of the six types include several independent interrupt stimuli or "sources".

Figure 7-3 shows all of the interrupt types and sources in one channel of a USC, arranged with the highest priority type at the top. The relative priority of the two channels is determined by external wiring among the IEI and IEO pins, or by an external interrupt controller.

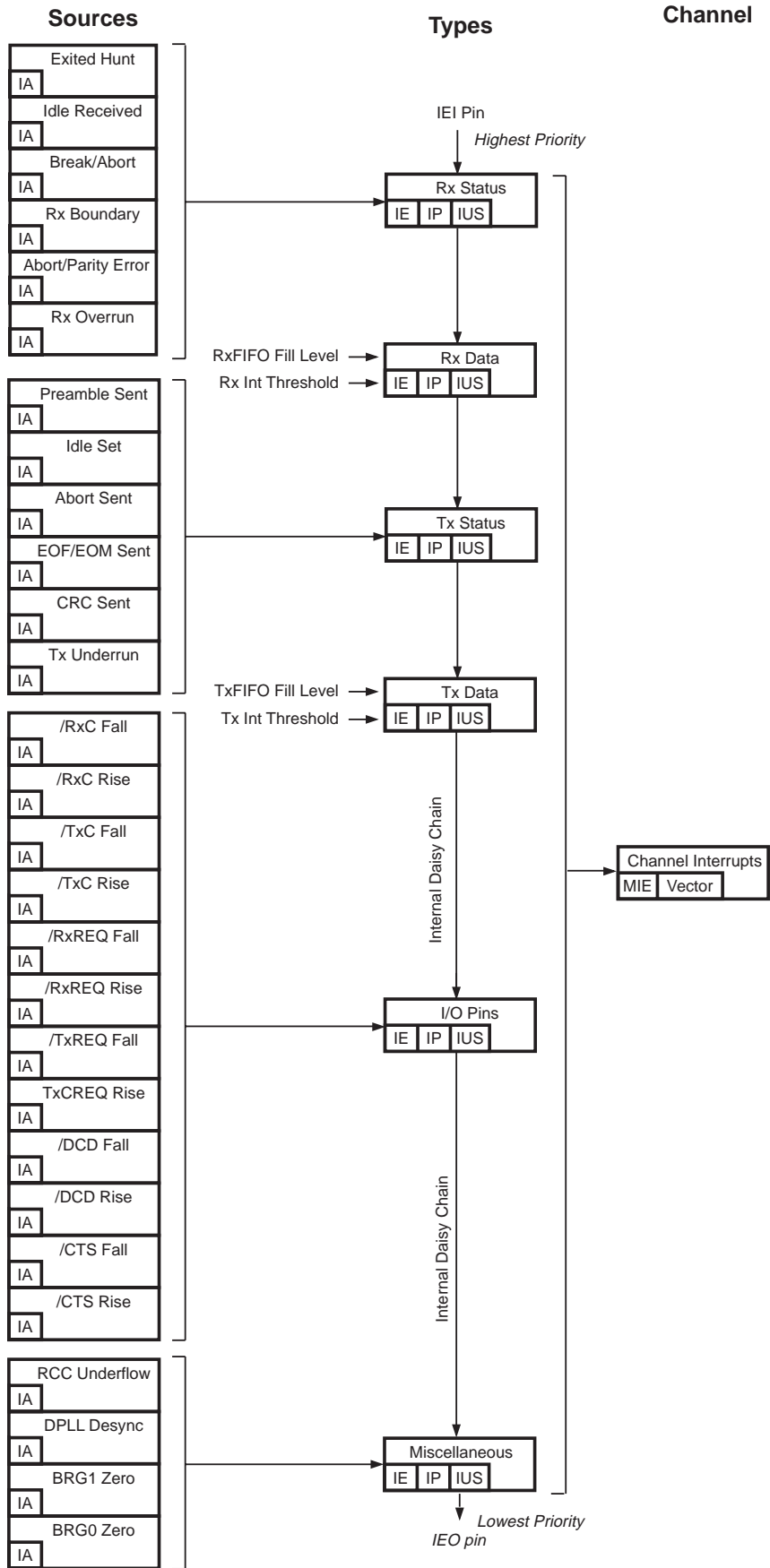


Figure 7-3. USC Interrupt Types and Sources

7.6 INTERNAL INTERRUPT OPERATION

Figure 7-4 presents a model of the typical internal structure of the interrupt subsystem, for a source “s” that is of type “t”. Note that the Figure represents a model of the USC’s interrupt logic rather than the exact logic; it’s included only as an aid to understanding the interrupt subsystem.

Each individual source has an associated register bit that we’ll call its Interrupt Arm or IA bit. (Previous ZiLog documents called this bit an Interrupt Enable or IE bit, but also used the same term for another bit that applies to the entire type. To distinguish between these two kinds of register bits, this description will call the one that applies to the individual sources “IA”.)

IA bits are fully under software control. When an IA bit is 1, the associated source can cause an interrupt.

The sources are typically readable as register bits themselves, and may be derived from various kinds of logic, such as logic that compares the fullness of a FIFO with a threshold level at which to interrupt, or logic that detects transitions of another register bit.

Each source and its IA bit are logically ANDed. A rising edge on the logical OR of these terms, for all the sources in the type, sets an “Interrupt Pending” (IP) bit for the type. For USC family members, IP bits are set independently of the state of the associated IUS bits, and are cleared to 0 only by software (or by Reset).

A close examination of Figure 7-4 will show that setting of IP is delayed if an “armed” source comes true during an interrupt acknowledge cycle, but that’s not particularly important for understanding the USC’s interrupt subsystem.

A second register bit associated with each type is the Interrupt Enable or IE bit. This bit is under full software control. When an IE bit is 1, an interrupt can be requested when the type’s IP bit is 1. Note that an IP bit can be set while its associated IE bit is 0; if software then sets IE before it clears the associated IP bit, an immediate interrupt can result.

There is one more register bit for each type, called the Interrupt Under Service or IUS bit. The interrupt logic sets the IUS bit for a type to 1 during an interrupt acknowledge cycle, if the daisy chain shows that it is the highest-priority type that’s currently requesting an interrupt. (This may include types in higher-priority devices and higher-priority types within the channel.) Aside from a hardware or software Reset, an IUS bit can only be reset to 0 by software. This is typically done near the end of an interrupt service routine for that type. During the execution of the interrupt service routine for a given type, the type’s IUS bit blocks interrupt requests from lower-priority types.

The And gate near the top of Figure 7-4 shows the actual conditions for a type to request an interrupt. A type’s IP and IE bits must both be 1, its IUS bit must be 0, and its incoming “IEI” signal must be true. IEI true indicates that no higher-priority type (on-chip or external) has its IUS bit set. Finally, a Master Interrupt Enable (MIE) register bit for the channel must be set to 1.

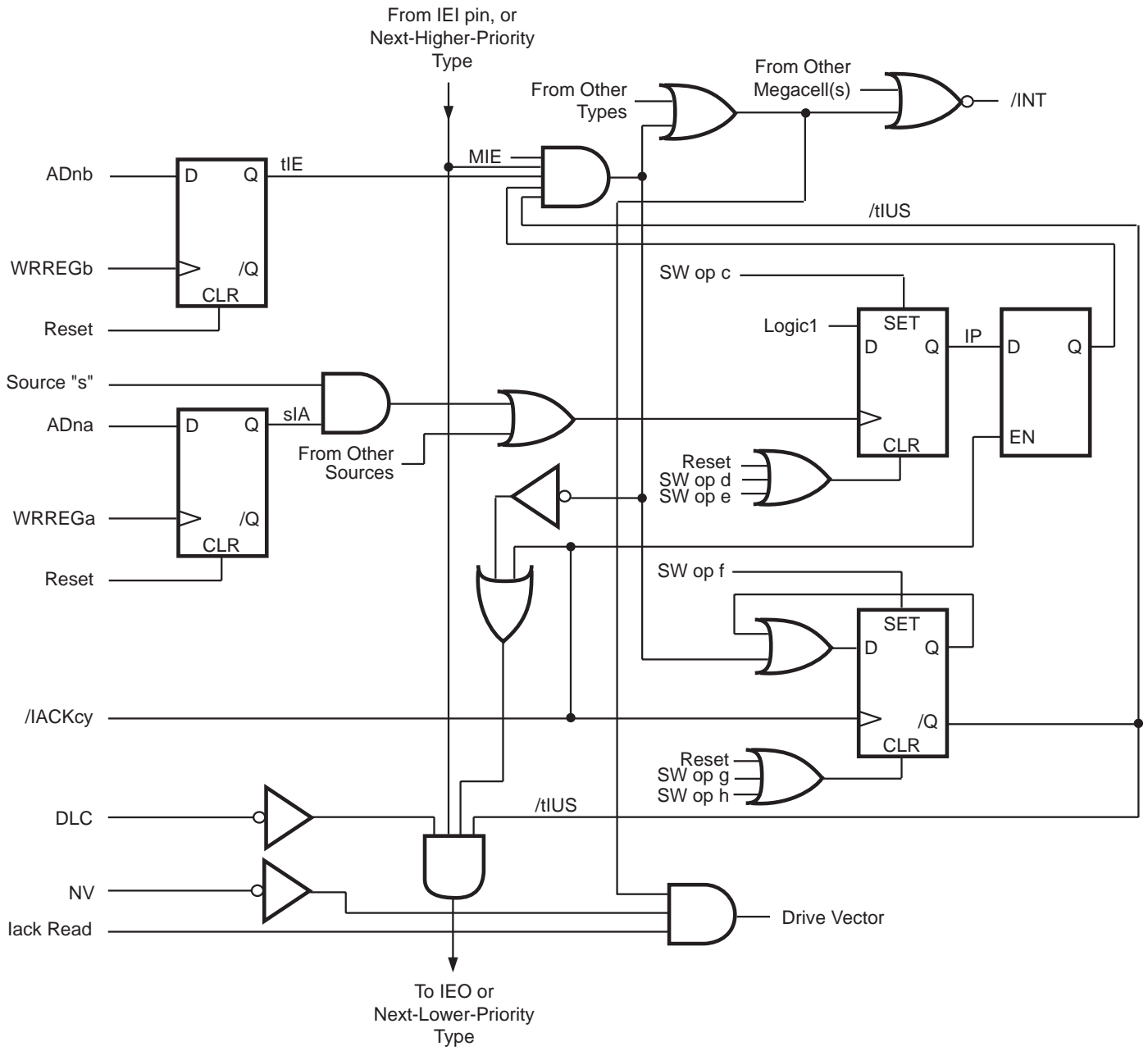


Figure 7-4. A Model of the Interrupt Logic for Source "s" and Type "t"

7.7 DETAILS OF THE MODEL

The IA and IE bits appear near the left side of Figure 7-4, as D-type flip-flops that capture the state of an AD line when software writes a specific register. The IP bit appears as a D-type flip-flop and a latch that are set “by hardware” as described above; software can set and clear the latch. The signal labelled /IACKcy is Low for the duration of an interrupt acknowledge sequence. The IUS bit appears as a D-type flip-flop that can be set via its clock and D inputs at the end of an acknowledge cycle; again, software can set or clear IUS.

The various signals named “SW op x”, that set and clear IP and IUS, represent software operations. These may reflect the writing of a “1” bit to a certain register bit position, or may represent the writing of an encoded command to a register. Since software always has to try to clear IP during an interrupt service routine, and typically also has to clear IUS, there are often several ways to clear these bits, as shown by the multiple “SW op” signals for these functions in the Figure. One thing not shown in the Figure is how the typical command “Reset Highest IUS” is implemented — including this function would have considerably increased the complexity of the logic, which is already complex enough!

The two downward-pointing gates in Figure 7-4 form the type’s “IEO” output. They assert this output only if the type’s incoming IEI is High and its IUS bit is 0. There is a register bit “Disable Lower Chain” (DLC) in each channel; if/when DLC is 1 the channel’s IEO is forced false/low. The downward-pointing OR gate reflects the functional shift of the daisy-chain during interrupt-acknowledge cycles. Its output is High except during IACK cycles, at which time it allows IEO to be asserted High only if this type is not requesting an interrupt.

Finally, the signal labelled “Drive Vector” controls when the channel places an interrupt vector on the data bus during an interrupt acknowledge cycle. There is a register bit No Vector (NV) in each channel; NV=1 prevents driving a vector. The bus interface logic derives the signal “IACK Read” from /RD, /PITACK or the combination of /DS Low and R/W high. In most cases IACK Read is true during the latter part of the time that /IACKcy is true. The channel provides a vector on AD7-0 while IACK Read is true, if NV is 0 and any of the types in the channel is the highest priority interrupting type.

To keep its complexity reasonable, Figure 7-4 doesn’t include the mechanism by which the content of a returned interrupt vector can reflect the identity of the channel’s highest-priority interrupting type.

7.8 INTERRUPT OPTION IN THE BCR

One bit in the Bus Configuration Register (BCR) affects the interrupt subsystem. This information is also presented in Chapter 2, Bus Interfacing.

2PulseIACK (Double-Pulse Interrupt Acknowledge; BCR1): software should program this bit to 0 if the /PITACK pin isn't

used or if it carries a single pulse when the host processor acknowledges an interrupt, or to 1 if /PITACK carries two pulses when the host processor acknowledges an interrupt. The latter mode is compatible with certain Intel processors.

7.9 INTERRUPT ACKNOWLEDGE CYCLES

The USC doesn't require Interrupt Acknowledge cycles. The system designer can simply pull up the /SITACK and /PITACK pins, and software can read the Interrupt Pending (IP) bits in the Daisy Chain Control Register (DCCR), which are described in later sections.

Even if the host processor does Interrupt Acknowledge cycles, the USC doesn't have to provide a vector. If IEI is high and the NV bit in a channel's Interrupt Control Register (ICR) is 1, the channel sets the IUS bit of the highest priority interrupt then pending, but it does not return an interrupt vector.

But, since most microprocessors in use today perform interrupt acknowledge cycles to obtain an 8-bit interrupt vector, the rest of this section will assume vectored interrupts.

Figure 7-5 shows an interrupt acknowledge cycle that's signalled by /SITACK, on a bus with multiplexed addresses and data. (Actually there are two subcases of this kind of cycle, depending on whether the host processor uses /DS or /RD signalling. Since the timing is the same for either strobe, Figure 7-5 simply shows a trace labelled "/DS or /RD".)

If the channel samples /SITACK low at the rising edge of /AS, it "freezes" its internal interrupt state; if it is requesting an interrupt it forces its IEO output low regardless of the state of IEI, and starts resolving its internal interrupt priorities. If the IEI and IEO pins are part of an interrupt acknowledge daisy chain with other interrupting devices, this resolution occurs in concert with the interrupt logic in the other devices.

The IEI pin must be valid for a specified setup time before /DS or /RD goes low. The host CPU's strobe must be delayed if needed to guarantee this. If IEI is high and the channel is requesting an interrupt, it responds to /DS or /RD by setting the IUS bit of its highest requesting type of interrupt, driving a vector onto the AD7-0 pins, and driving /WAIT//RDY appropriately to signal when the vector is valid. If IEI is low at the leading/falling edge of /DS or /RD, and/or if the channel is not requesting an interrupt, it doesn't respond to the cycle.

7.9 INTERRUPT ACKNOWLEDGE CYCLES (Continued)

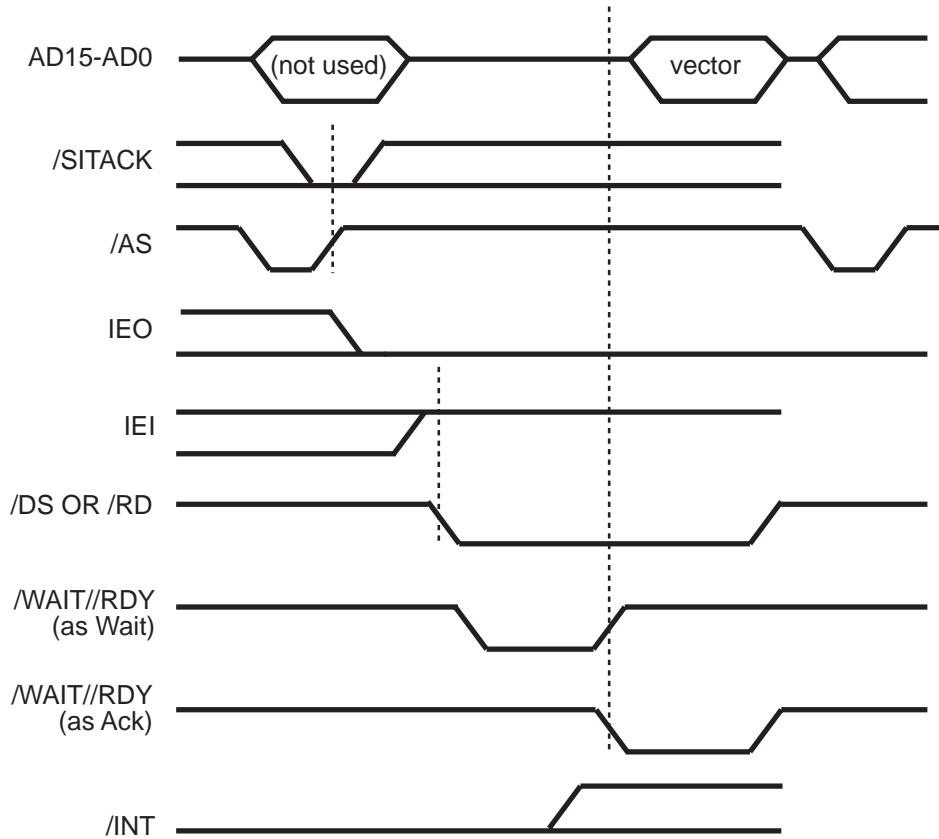


Figure 7-5. An Interrupt Acknowledge Cycle signalled by /SITACK, on a Multiplexed Bus

Figure 7-6 shows an interrupt acknowledge cycle that's signalled by /SITACK, on a bus with separate address and data lines. (As before there are two subcases of this kind of cycle, depending on whether the host processor uses /DS or /RD signalling. Since the timing is identical for either strobe, Figure 7-6 simply shows a trace labelled "/DS or /RD".)

Here the channel freezes its internal interrupt state in response to a falling edge on /SITACK; again, if it is requesting an interrupt it forces its IEO output low regardless of the state of IEI, and starts resolving its internal interrupt priorities.

In this mode /SITACK must stay low until after /DS or /RD goes low, and IEI must be valid for a specified setup time before /DS or /RD goes low. (The falling edge of /DS or /RD may have to be delayed to guarantee this.) If IEI is high and the channel is requesting an interrupt, it responds to /DS or /RD by setting the IUS bit of its highest priority requesting type of interrupt, driving a vector onto the AD7-0 pins, and driving /WAIT//RDY appropriately to signal when the vector is valid. If IEI is low at the leading/falling edge on /DS or /RD, and/or if the channel is not requesting an interrupt, it doesn't respond to the cycle.

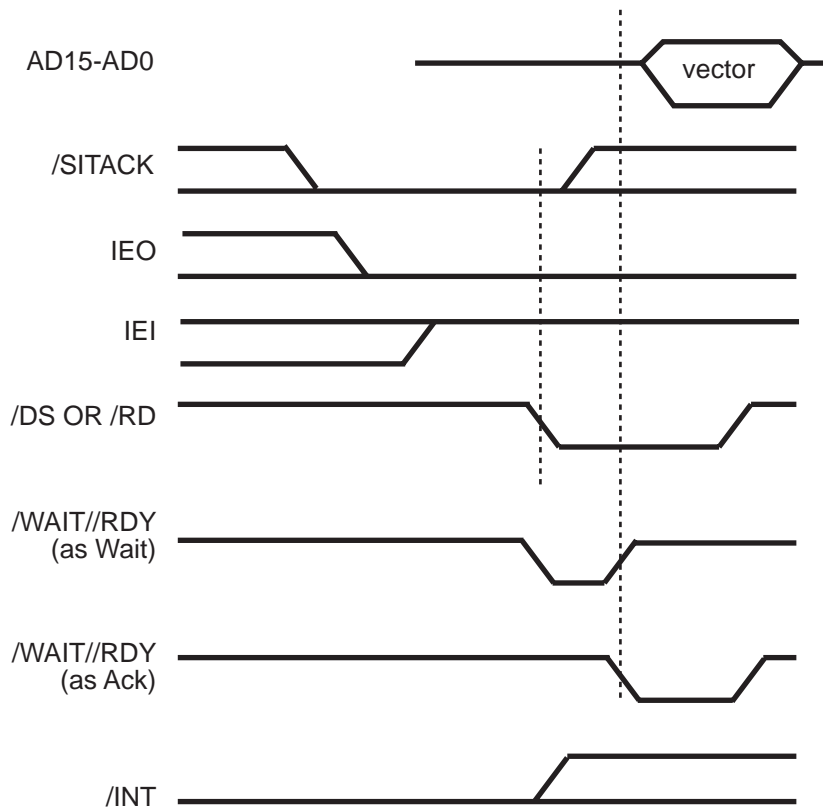


Figure 7-6. An Interrupt Acknowledge Cycle signalled by /SITACK, on a Non-Multiplexed Bus

7.9 INTERRUPT ACKNOWLEDGE CYCLES (Continued)

Figure 7-7 shows the kind of interrupt acknowledge cycle that the USC expects when /PITACK goes low and the 2PulseIACK bit (BCR1) is 0. Here a single pulse on /PITACK substitutes for the pulse on /DS or /RD in the previous cases; the latter two signals must remain high throughout the cycle. For this case, operation on a non-multiplexed bus is identical with that on a multiplexed bus once the /AS strobe is over. The only distinction is that a multiplexed bus must meet minimum times between the pulse on /PITACK and the preceding and following pulses on /AS. These minima are similar to those required for register read and write cycles.

In this mode, an interrupt acknowledge daisy chain on IEI/IEO cannot be used to select whether an USC channel or another device should respond to each interrupt acknowledge cycle. Instead, external logic like that shown in Figure 7-2 must decide which requesting device/channel

is to respond to an interrupt acknowledge cycle, if such a cycle occurs when more than one is requesting an interrupt. The external logic would typically consider the state of the individual devices'/channels' interrupt request lines in making this decision. (The lines cannot be OR-tied in this case.)

In this "single-pulse" mode, the IEI pin must set up and hold around the leading/falling edge on /PITACK. If IEI is high and the channel is requesting an interrupt at that point, it responds to /PITACK by driving a vector onto the AD7-0 pins and driving /WAIT//RDY appropriately to signal when the vector is valid. If IEI is low at the leading/falling edge of /PITACK, and/or if the channel is not requesting an interrupt at that point, it doesn't respond to the cycle.

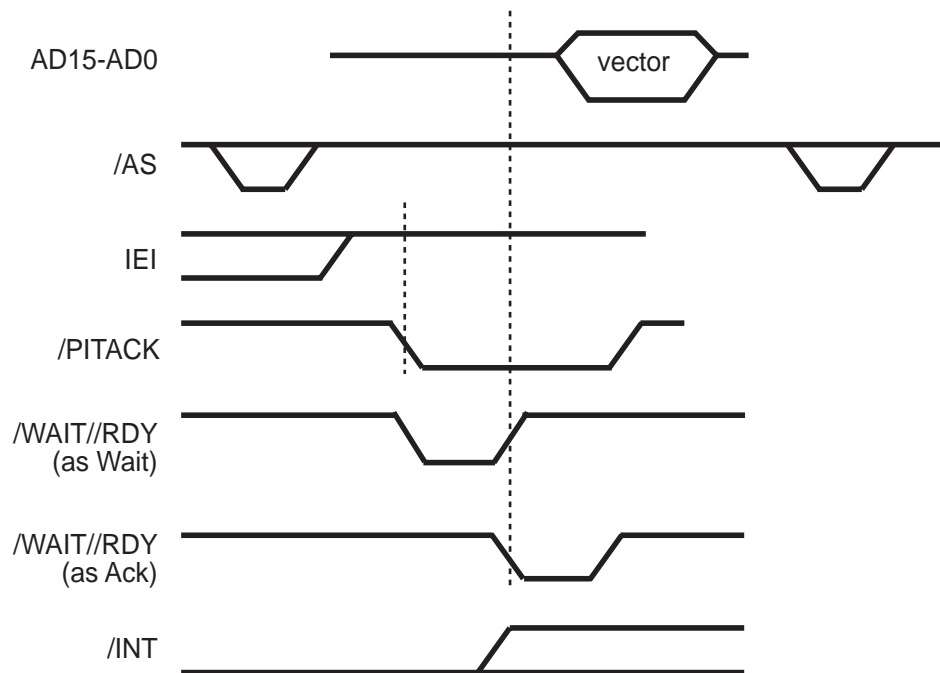


Figure 7-7. A /PITACK Interrupt Acknowledge Cycle with 2PulseIACK=0

Figure 7-8 shows the kind of interrupt acknowledge cycle that the USC expects when /PITACK goes low and the 2PulseIACK bit (BCR1) is 1. Here, two consecutive low pulses on /PITACK constitute the complete interrupt acknowledge cycle, and /DS and /RD should both stay high throughout the cycle. This mode is compatible with several microprocessors made by Intel Corp. and other companies. As in the preceding case, operation is similar whether the bus is multiplexed or non-multiplexed. The multiplexed bus must meet minimum times between the pulses on /AS and the pulses on /PITACK. These minima are similar to those between /AS and /DS or /RD in register read cycles.

In “double pulse mode” the channel keeps an internal state bit that distinguishes the two /PITACK pulses in each pair. The channel freezes its internal interrupt state in response to the first falling edge on /PITACK. If it is requesting an

interrupt it forces its IEO output low regardless of the state of IEI, and starts resolving its internal interrupt priorities, but the channel does not otherwise respond to the first cycle.

In this mode the IEI pin must be valid for a specified setup time before /PITACK goes low for the second pulse. If IEI is high at this point and the channel is requesting an interrupt, it responds to the second /PITACK pulse by setting the IUS bit of its highest-priority requesting type of interrupt, driving a vector onto the AD7-0 pins, and driving /WAIT//RDY appropriately to signal when the vector is valid. If IEI is low at the leading edge of /PITACK, and/or if the channel is not requesting an interrupt, it doesn't respond to the cycle.

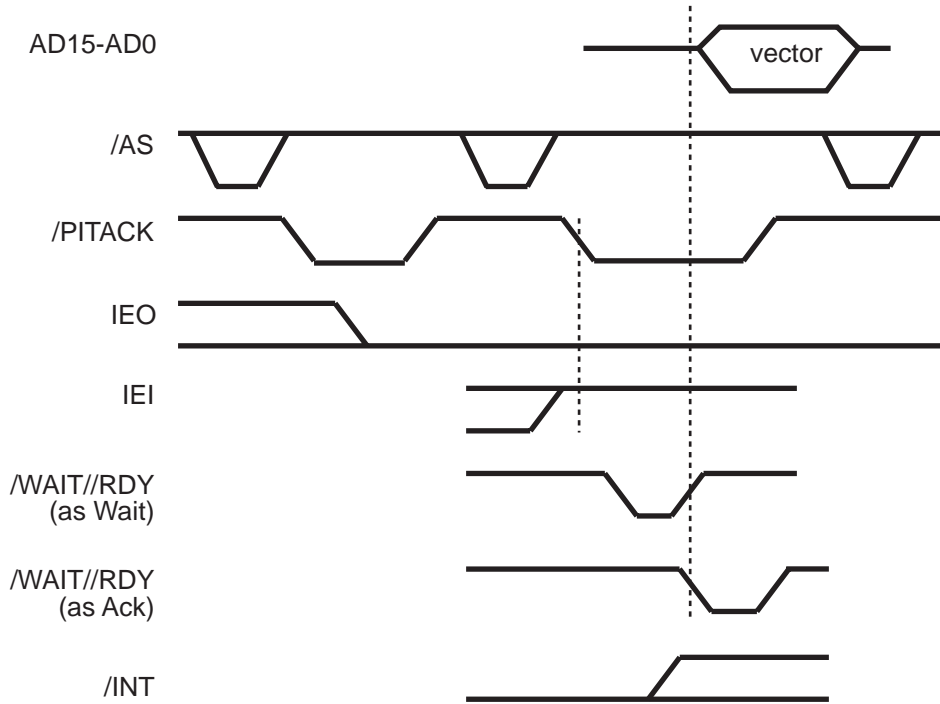


Figure 7-8. A /PITACK Interrupt Acknowledge Cycle with 2PulseIACK=1

7.10 INTERRUPT ACKNOWLEDGE VS. READ CYCLES

Interrupt Acknowledge cycles are similar to the cycles that occur when the host processor reads a USC register, which are discussed in Chapter 2. However, the user should note the following ways in which interrupt acknowledge cycles differ from read cycles:

- On a multiplexed bus, /SITACK acts like an address line. When a USC samples /SITACK low at a rising edge on /AS, it ignores the address on the AD lines.
- On a non-multiplexed bus, each leading edge of /RD or /DS captures the state of /SITACK.
- With /DS signalling, the state of R//W doesn't matter for a cycle in which the USC samples /SITACK low. (In other cycles R//W differentiates Read cycles from Writes.)

- When the /WAIT//RDY pin carries the Wait function, a USC channel asserts the pin during interrupt acknowledge cycles, but never does so during register Read or Write cycles.
- When /WAIT//RDY carries the Acknowledge function, a channel asserts it later in Interrupt Acknowledge cycles than in Reads. However, the relationship between the falling edge of /WAIT //RDY and the validity of data on the AD lines is similar in both kinds of cycles.

7.11 INTERRUPT TYPES

Each USC channel includes six types of interrupts, arranged on the internal interrupt daisy chain in the following priority order:

1. Receive Status (highest priority)
2. Receive Data
3. Transmit Status
4. Transmit Data
5. I/O Pin
6. Miscellaneous (lowest priority)

Each of these types has one each IE, IP, and IUS bit, as described in an earlier section of this chapter.

7.11.1 Receive Status Interrupt Sources and IA Bits

Any of six interrupt sources can set a channel's **Receive Status IP** bit. Software can read the status of each source in the LSByte of the Receive Command/Status Register (RCSR), which is shown in Figure 7-9. The following descriptions of the RCSR status bits are similar to those in the 'Detailed Status in the RCSR' section of Chapter 4:

ExitedHunt The RS IP bit can be set when this bit (RCSR7) goes from 0 to 1 because the receiver has detected a Sync or Flag sequence in a synchronous mode.

IdleRcvd The RS IP bit can be set when this bit (RCSR6) goes from 0 to 1 because the receiver has seen 15 or 16 consecutive one bits. In asynchronous modes with 16, 32, or 64x clocking, the receiver sets RCSR6 after one bit time or less, so this source's IA bit shouldn't be set in such modes.

Break/Abort The RS IP bit can be set when this bit (RCSR5) goes from 0 to 1 because the Receiver has detected a Break condition in an asynchronous mode or an Abort condition in HDLC/SDLC mode.

RxBound If the IA bit for this source is 1, the interrupt logic sets the RS IP bit when software or the Receive DMA channel reads a character from the Rx FIFO that's marked with RxBound status. Such marking reflects an address character in Nine-Bit mode, negation of /DCD during the character in external sync mode, the last character of a frame in HDLC/SDLC and 802.3 modes, or one of five block terminating characters in Transparent Bisync mode.

Abort/PE

If the IA bit for this source is 1, the interrupt logic sets the RS IP bit when software or the Receive DMA channel reads a character from the RxFIFO that failed parity checking, or, in HDLC/SDLC mode with the QAbort bit (RMR8) set, a character that was followed by an Abort sequence.

RxOver

If the IA bit for this source is 1, the interrupt logic sets the RS IP bit when software or the Receive DMA channel reads a character from the RxFIFO that's marked with Overrun status. A character so marked is the first one that arrived while the FIFO was full. An indeterminate number of characters after it may have been lost. See 'Handling Overruns and Underruns' in Chapter 5 for more information.

RCmd(WO)		RxResidue	ShortF/ CVType	Exited Hunt	Idle Rcvd	Break /Abort	Rx Bound	CRCE /FE	Abort /PE	RX Over	Rx Avail				
2ndBE	1stBE														
15	14	13	12	11	10	9	8	7	6	5	4	3	2	1	0

Figure 7-9. The Receive Command/Status Register (RCSR)

"RxFIFO fill level" if last RCSR 15-12 command 4-7 was 5 "Rx Int Req level" if last RCSR 15-12 command 4-7 was 6 "Rx DMA Req level" if last RCSR 15-12 command 4-7 was 7								Exited Hunt IA	Idle Rcvd IA	Break /Abort IA	Rx Bound IA	Word Status	Abort /PE IA	RXOver IA	TCOR Sel
15	14	13	12	11	10	9	8	7	6	5	4	3	2	1	0

Figure 7-10. The Receive Interrupt Control Register (RICR)

As described in Chapter 5, once an Interrupt-Armed RCSR bit has been set, it must be "unlatched" by writing a 1 to that bit position in the RCSR. For Exited Hunt, Abort (in HDLC mode), RxBound, Abort/PE, and RxOver, this action also clears the RCSR bit. The IdleRcvd and Break/Abort (in async modes) bits in RCSR don't become 0 until software has unlatched the bit and the line condition has ended.

Each of these six sources has a separate **Interrupt Arm (IA)** bit in the LSByte of the Receive Interrupt Control Register (RICR). Figure 7-10 shows the RICR. If an IA bit is 1, the interrupt logic can set the Receive Status IP bit as described above. If an IA bit is 0, the corresponding bit in RCSR has no effect on the IP bit and thus will not cause interrupts. The setting of the IA bits for the ExitedHunt, IdleRcvd, and Break/Abort conditions has no effect on the bits in RCSR, while the IA bits for the RxBound, Abort/PE, and Overrun conditions affect how the corresponding RCSR bits operate, as described in Chapter 5.

In order to ensure that future interrupts are requested properly when more than one Receive Status condition is Armed in the RICR, a Receive Status interrupt service routine must clear all of the IA bits in the RICR and then set the desired ones again, after it has cleared the RS IP bit and the RCSR bits that it has serviced.

When software wants to change the IA bits in the RICR after the register is first initialized, it should write only the LS byte of the register rather than all 16 bits, to avoid inadvertently changing a threshold setting in the MS byte.

7.11.2 Receive Data Interrupts

This interrupt type has only one source, so there's no IA bit for it. The interrupt logic sets the **RDIP** bit when a character is received and the number of previously-received characters in the RxFIFO is equal to the number programmed as the "Receive Data Interrupt Request Level". That is, the IP bit is set for the character that makes the number of characters in the RxFIFO exceed the programmed value.

The RD IP bit is also set if the number of characters is less than the programmed threshold level, and the receiver places a character marked with RxBound status in the RxFIFO.

If received data is handled by either software polling or an external Receive DMA channel, disable the Receive Data interrupt by leaving its IE bit 0. (A later section discusses IE bits.)

7.11.2 Receive Data Interrupts (Continued)

To program the Receive Data Interrupt Request Level, first write the "Select RICRHi=/INT Level" command to the RCmd field of the Receive Command/Status Register (RCSR15-12). Then write the number of received characters at which the channel should start requesting a Receive Data interrupt, minus one, to the MSByte of the Receive Interrupt Control Register (RICR). For example, if the channel should request a Receive Data interrupt when its 32-byte RxFIFO becomes 3/4 full, write hex 60 to RCSR15-8, then write decimal 23 (hex 17) to RICR15-8.

It is good programming practice to follow these two steps with writing a "Select RICRHi=FIFO Status" command to the RCSR, to protect the Request Level from inadvertent modification when other parts of the software change the IA bits in the RICR.

Code that writes or reads the Receive Data Interrupt Request threshold must ensure that no interrupts will occur between the time it writes the "Select RICRHi=/INT Level" command to the RCSR, and when it writes or reads the value in the RICR, if such interrupts can lead to other code writing a different Select command (for the FIFO Fill level or DMA request threshold) to the RCSR.

Figure 7-11 shows a sample service routine for Receive Data interrupts. While it's not particularly fancy or efficient, it does illustrate several important points:

1. It reads the FIFO fill level to determine how many characters to read. The fact, that reception of an RxBound character (i.e., the last character of a frame, message, can set the Receive Data IP bit, means that a Receive Data interrupt service routine can't blindly read the number of characters implied by the Interrupt Request Level.

2. It explicitly clears the Receive Data IP and IUS bits by writing to the Daisy Chain Control Register (DCCR) as described in a later section. Neither bit is affected by reading data from the RxFIFO.
3. It re-reads the FIFO fill level after clearing the IP bit, and processes any characters that have been received while it was processing earlier characters. This procedure guards against losing an interrupt associated with a late-arriving End of Frame (RxBound) character.
4. It reads the status from RCSR "before" reading each character, and reads RCSR an extra time after reading out an End of Frame (RxBound) character, to clear the latching of the status that occurs when an RxBound character is read out.

(This is not the only way to handle RxBound checking. Another way is to enable a Receive Status interrupt when the Receive Data interrupt service routine reads a RxBound character out of the RxFIFO, and not check RxBound status in this routine at all. Software that uses this method must ensure that an Receive Status interrupt can interrupt the Receive Data ISR in a "nested" fashion.)

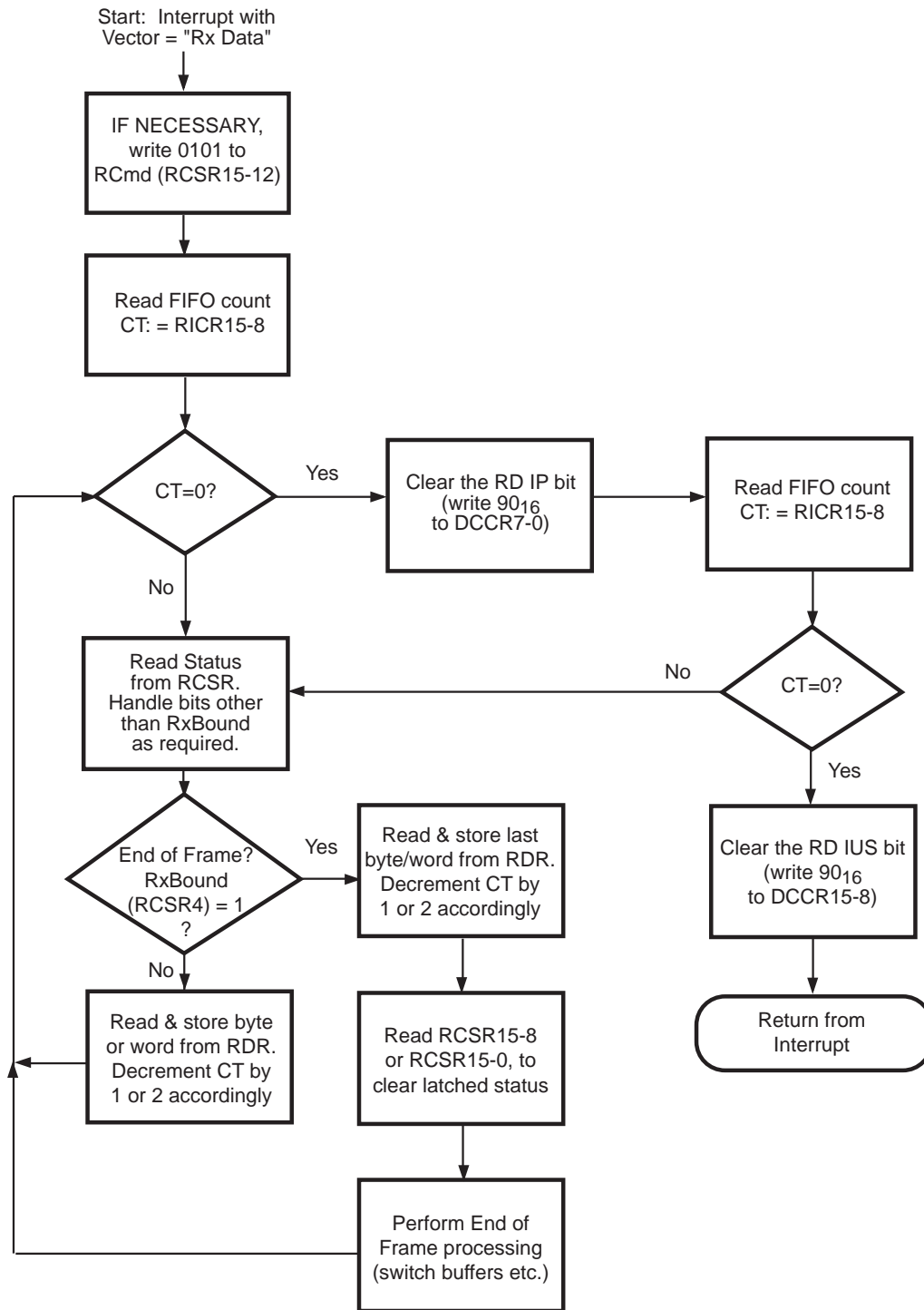


Figure 7-11. A Sample Service Routine for Receive Data Interrupts

7.11.2 Receive Data Interrupts (Continued)

TCmd				Rsrvd	Txidle				Pre Sent	Idle Sent	Abort Sent	EOF/EOM Sent	CRC Sent	All Sent	Tx Under	Tx Empty
15	14	13	12	11	10	9	8	7	6	5	4	3	2	1	0	

Figure 7-12. The Transmit Command/Status Register (TCSR)

"Tx FIFO Status" if last TCSR 15-12 command 4-7 was 5 "Tx Int level" if last RCSR 15-12 command 4-7 was 6 "Tx DMA Req level" if last TCSR 15-12 command 4-7 was 7							Pre Sent IA	Idle Sent IA	Abort Sent IA	EOF/EOM Sent IA	CRC Sent IA	Wait2 Send	Tx Under IA	TC1R Sel	
15	14	13	12	11	10	9	8	7	6	5	4	3	2	1	0

Figure 7-13. The Transmit Interrupt Control Register (TICR)

7.11.3 Transmit Status Interrupt Sources and IA Bits

The interrupt logic can set the **Transmit Status IP** bit in response to any of six interrupt sources. Software can read the status of each source in the LSByte of the Transmit Command/Status Register (TCSR), which is shown in Figure 7-12. The following descriptions of the TCSR bits are similar to those in the 'Detailed Status in the TCSR' section of Chapter 5.

PreSent The interrupt logic can set the TS IP bit when this bit (TCSR7) goes from a 0 to a 1, because the transmitter has finished sending the "Preamble" selected in the Channel Control Register (CCR11-8) in a synchronous mode.

IdleSent The interrupt logic can set the TS IP bit when this bit (TCSR6) goes from a 0 to a 1, because the transmitter has sent the idle line state selected by the TxIdle field (TCSR10-8). If TxIdle and TxMode specify the condition as Flags or Syncs, this bit can be set for each one sent. Otherwise, for bit-oriented Idle conditions, it's set only after the first bit is sent.

AbortSent The interrupt logic can set the TS IP bit in HDLC/SDLC mode, when this bit (TCSR5) goes from 0 to 1 because the transmitter has sent an Abort character.

EOF/EOM Sent The interrupt logic can set the TS IP bit in a synchronous mode, when this bit (TCSR4) goes from 0 to 1 because the transmitter has sent the closing Flag or Sync character at the end of a message or frame.

CRC Sent The interrupt logic can set the TS IP bit in a sync mode, when this bit (TCSR3) goes from 0 to 1 because the transmitter has sent the CRC sequence just before the end of a message or frame.

Tx Under The interrupt logic can set the TS IP bit when this bit (TCSR1) goes from 0 to 1, because the transmitter needed a character from the Tx FIFO but it was empty.

Once one of these TCSR bits is 1, it must be cleared to 0 by writing a 1 to that bit position in TCSR.

In order to ensure that future interrupts are requested properly when more than one Transmit Status condition is Armed in the TICR, a Transmit Status interrupt service routine must clear all of the IA bits in the TICR and then set the desired ones again, after it has cleared the TS IP bit and the TCSR bits that it has serviced.

Each of these six sources has a separate **Interrupt Arm (IA)** bit in the LSByte of the Transmit Interrupt Control Register (TICR). Figure 7-13 shows the TICR. If an IA bit is 1, the interrupt logic sets the Transmit Status IP bit when

the corresponding bit in the Transmit Command/Status Register (TCSR) goes from 0 to 1. If an IA bit is 0, the corresponding TCSR bit has no effect on the IP bit and thus will not cause interrupts. The setting of the IA bits in TICR has no direct effect on the TCSR bits.

When software wants to change the IA bits in the TICR after the register is first initialized, it should write only the LS byte of the register rather than all 16 bits, to avoid inadvertently changing a threshold setting in the MS byte.

7.11.4 Transmit Data Interrupts

This interrupt type has only one source, so there's no need for an IA bit for it. The interrupt logic sets the **Transmit Data IP** bit whenever the number of empty character positions in the Tx FIFO is greater than the number programmed as the "Transmit Data Interrupt Request Level". If transmitted data is to be handled by an external Transmit DMA channel, disable this interrupt by leaving its IE bit 0. (A later section discusses IE bits.)

To program the Transmit Data Interrupt Request Level, first write the "Select TICRHi=/INT Level" command (0110) to the TCmd field of the Transmit Command / Status Register (TCSR15-12). Then write the number of empty character positions at which the channel should start requesting a Transmit Data interrupt, minus one, to the MSByte of the Transmit Interrupt Control Register (TICR). For example, if the channel should request a Transmit Data interrupt when its 32-byte Tx FIFO has only four characters left in it, write hex 60 to TCSR15-8, then write decimal 27 (hex 1B) to TICR15-8.

It is good programming practice to follow these two steps with writing a "Select TICRHi=FIFO Status" command to the TCSR, to protect the Request Level from inadvertent modification when other parts of the software change the IA bits in the TICR.

Code that writes or reads the Transmit Data Interrupt Request threshold must ensure that no interrupt will occur between the time it writes the "Select TICRHi=/INT Level" command to the TCSR, and when it writes or reads the value in the TICR, if such interrupts can lead to other code writing a different Select command (for the FIFO Fill level or DMA request threshold) to the TCSR.

Note that a Purge Tx FIFO (or Purge Rx and Tx FIFO) command will typically make a channel immediately set its Transmit Data IP bit. This will, in turn, make the channel start requesting an interrupt on its /INT pin if:

- it hadn't been doing so,
- the channel's IEI pin is high,
- its TD IE and MIE bits are 1, and
- its TD IUS and all higher-priority IUS bits are 0.

As with all USC interrupts, a Transmit Data interrupt service routine must explicitly clear the Transmit Data IP and IUS bits by writing to the Daisy Chain Control Register (DCCR) as described later; the bits aren't cleared by simply writing data into the Tx FIFO.

RxCdN IA	RxCUp IA	TxCdN IA	TxCUp IA	RxRdN IA	RxRUp IA	TxRdN IA	TxRUp IA	DCdN IA	DCUp IA	CTSDn IA	CTSup IA	RCC Under IA	DPLL DSync IA	BRG1 IA	BRG0 IA
15	14	13	12	11	10	9	8	7	6	5	4	3	2	1	0

Figure 7-14. The Status Interrupt Control Register (SICR)

RxCL/U	/RxC	TxCL/U	/TxC	RxRL/U	/RxREQ	TxRL/U	/TxREQ	DCDL/U	/DCD	CTSL/U	/CTS	RCC Under L/U	DPLL DSync L/U	BRG1 L/U	BRG0 L/U
15	14	13	12	11	10	9	8	7	6	5	4	3	2	1	0

Figure 7-15. The Miscellaneous Interrupt Status Register (MISR)

7.11.5 I/O Pin Interrupt Sources and IA Bits

The interrupt logic can set the **I/O Pin IP** bit in response to rising and/or falling edges on any of six pins for each channel, namely /RxC, /TxC, /RxREQ, /TxREQ, /DCD, and /CTS. The following description is similar to that in the 'Edge Detection and Interrupts' section of Chapter 4.

Software can program the channel to detect rising and/or falling edges on the /CTS, /DCD, /TxC, /RxC, /TxREQ, and /RxREQ pins, and to interrupt when such events occur. Figure 7-14 shows that the Status Interrupt Control Register (SICR) includes separate Interrupt Arm (IA) bits for rising and falling edges on each of these pins. A 1 in one of these bits makes the channel detect that kind of edge, while a 0 makes it ignore such edges. This edge detection and interrupt mechanism operates without regard for whether the various pins are programmed as inputs or outputs in the I/O Control Register (IOCR).

When a channel detects an edge that's enabled in the SICR, it records the event in an internal latch that's not directly accessible in the USC's register map. Instead, as shown in Figure 7-15, the Miscellaneous Interrupt Status Register (MISR) includes two bits for each of these six pins, one called a "Latched/Unlatch" or L/U bit, and the other being a "data bit" that has the same name as the pin itself.

A hardware or software Reset sequence clears all the L/U bits to zero. While the L/U bit for a pin is 0, the associated data bit reports and tracks the state of the pin in a "transparent" fashion, with a 1 indicating a low and a 0 indicating a high.

Whenever a pin's L/U bit is 0 and its internal edge-detecting latch is set, the channel sets the L/U bit to 1, clears the detection latch, and sets the IOP IP bit. IOP IP can be read and cleared (and if necessary set) in the Daisy Chain Control Register (DCCR1).

While an L/U bit is 1, the state of the associated data bit is frozen (latched). These two bits remain in this state, regardless of further transitions on the pin, until software writes a 1 to the L/U bit. This clears the L/U bit to 0 and "opens" the data bit to once again report and track the state of the pin, at least for an "instant". If one or more enabled transitions occurred while the L/U bit was set, then L/U is set again right after software writes the 1 to it.

Writing a 0 to an L/U bit has no effect; it doesn't matter what value software writes in the "data" bits.

7.11.6 Miscellaneous Interrupt Sources and IA Bits

The interrupt logic can set the **Miscellaneous IP** bit in response to any of four interrupt sources. Software can read the status of these sources in the LSByte of the Miscellaneous Interrupt Status Register (MISR), which is shown in Figure 7-15. The following descriptions repeat some information that was presented in Chapters 4 and 5:

RCCUnder	If the RCCUnder IA bit is 1, a channel sets this bit (MISR3) and the Misc IP bit if the receiver has decremented the Receive Character Counter (RCC) to zero and then it receives another character (in the same frame/message).
DPLLDSync	If the DPLLDSync IA bit is 1, a channel sets this bit (MISR2) and the Misc IP bit if software set up the Digital Phase Locked Loop circuit for Biphase encoding and the DPLL detects two consecutive missing clocks, indicating a loss of synchronization.
BRG1	If the BRG1 IA bit is 1, a channel sets this bit (MISR1) and the Misc IP bit when Baud Rate Generator 1 counts down to zero.
BRG0	If the BRG0 IA bit is 1, a channel sets this bit (MISR0) and the Misc IP bit when Baud Rate Generator 0 counts down to zero.

Once any of these bits is 1, software must write a 1 to that bit position to "unlatch" it. Writing a 1 to any of MISR3-0 clears the "read-side" bit unless the setting event recurred while the bit was latched, in which case the bit is set again immediately.

Each of these four sources has a separate **Interrupt Arm (IA)** bit in the LSByte of the Status Interrupt Control Register (SICR). Figure 7-14 shows the SICR. If an IA bit is 1, the interrupt logic sets the corresponding bit in MISR, and the Miscellaneous IP bit, when the indicated condition occurs. If an IA bit is 0, the logic won't set the corresponding MISR bit and thus the associated condition can't cause interrupts. Clearing an IA bit does not clear the corresponding bit in MISR.

7.12 INTERRUPT PENDING AND UNDER SERVICE BITS

Software can read, set, and clear the **Interrupt Pending (IP)** and **Interrupt Under Service (IUS)** bits, for all six interrupt types in a USC channel, via the Daisy-Chain Control Register (DCCR). Figure 7-16 shows the DCCR. The MSByte deals only with the IUS bits, while the LSByte deals with the IP bits but can be used to clear the IP and IUS bits in one step.

Software can read the six IUS bits from DCCR13-8 and the six IP bits from DCCR5-0. The two MSBits of each byte always read as 00. When software writes the DCCR, the two MSBits of each byte can represent a command that is applied to the type(s) selected by ones written in the six LSBits of that byte. DCCR15-14 are an **IUS Op** field that the channel interprets as follows:

IUS Op	Operation
0x	No operation
10	Clear the IUS bit(s) of the type(s) selected in DCCR13-8
11	Set the IUS bit(s) of the type(s) selected in DCCR13-8

DCCR7-6 are an **IP Op** field that the channel interprets as follows:

IP Op	Operation
00	No operation
01	Clear both the IP and IUS bit(s) of the type(s) selected in DCCR5-0
10	Clear the IP bit(s) of the type(s) selected in DCCR5-0
11	Set the IP bit(s) of the type(s) selected in DCCR5-0

The “clear both” option seems efficient, but in general is useful only during initialization sequences. The later section “Software Requirements” describes how an interrupt service routine should clear an IP bit before examining the device status, but should delay clearing the IUS bit until the ISR is (nearly) over.

If software writes both bytes of the DCCR simultaneously on a 16-bit bus, the IUS command is “set”, the IP command is “clear both”, and a particular type is selected by ones in both the MSByte and LSByte, the channel clears the IUS bit for that type. On the other hand, if the IUS command says “set” for a type and the LSbyte says “clear both” but that type’s bit in DCCR5-0 is 0, the channel sets that type’s IUS bit.

In addition, one of the encoded commands that can be written to the Channel Command/Address Register (CCAR) allows for a general exit from an interrupt service routine, regardless of which type initiated the routine. If software writes the Reset Highest IUS command (00010) to a channel’s RTCmd field (CCAR15-11), it clears the highest-priority IUS bit that’s set in the channel.

7.13 INTERRUPT ENABLE BITS

Software can read, set, and clear the **Interrupt Enable (IE)** bits for all six interrupt types in a USC channel, in the LSByte of its Interrupt Control Register (ICR). Figure 7-17 shows the ICR. Software can read all six IE bits from ICR5-0; ICR7-6 always read as 00. When software writes the

LSByte of the ICR, the **IE Op** field (ICR7-6) comprises a command that the channel applies to any and all IE bits selected by ones written to ICR5-0. The channel interprets IE Op as follows:

IE Op	Operation
0x	No operation
10	Clear the IE bit(s) of the type(s) selected in ICR5-0
11	Set the IE bit(s) of the type(s) selected in ICR5-0

7.14 CHANNEL INTERRUPT OPTIONS

Figure 7-17 shows that the MSByte of the Interrupt Control Register (ICR) contains control bits that apply to all interrupts from a USC channel. These bits are fully under software control and can be read or written at any time.

The **Master Interrupt Enable** bit (MIE; ICR15) must be set to 1 to allow the channel to request an interrupt on its /INT pin.

Whenever the **Disable Lower Chain** bit (DLC; ICR14) is 1, the channel forces its IEO output low, so that devices further down the daisy chain can't request interrupts nor respond to interrupt acknowledge cycles.

If the **No Vector** bit (NV; ICR13) is 1, the channel neither provides a vector nor drives the /WAIT//RDY pin during an interrupt acknowledge cycle in which the highest-priority requesting type is in the channel. However, in such a case the channel still sets the IUS bit of the highest-priority requesting type.

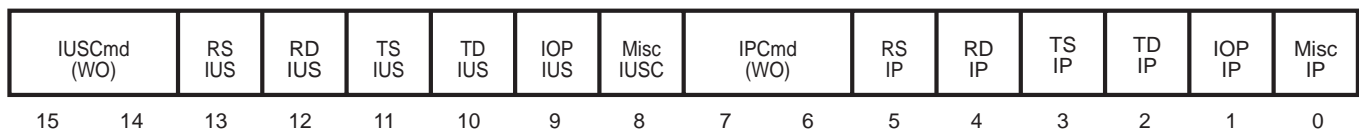


Figure 7-16. The Daisy Chain Control Register (DCCR)

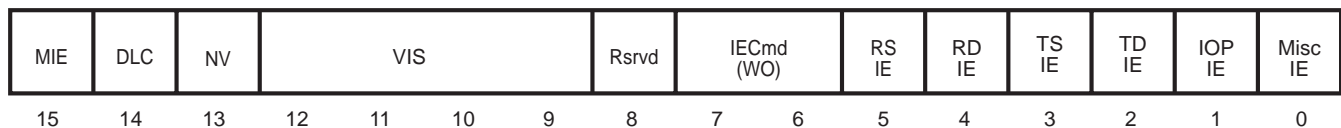


Figure 7-17. The Interrupt Control Register (ICR)

The **Vector Includes Status** field (VIS; ICR12-9) controls whether the vector, that the channel returns during an interrupt acknowledge cycle in which the highest-priority requesting type is in the channel, identifies the type or not. Such vector modification can be enabled for all types in the channel, or only for those above a selected priority level:

VIS	Which types appear in vectors
0xxx	No types
100x	All types
1010	IOP and above (not Misc)
1011	Transmit Data and above
1100	Transmit Status and above
1101	Receive Data & Status
1110	Receive Status only
1111	No types

If the contents of VIS allow the highest-priority type, that's requesting at the time of an Interrupt Acknowledge cycle, to modify the interrupt vector, then bits 3-1 of the returned vector identify that type as described in the next section. If not, the channel returns the 8-bit vector exactly as the host software programmed it.

7.15 INTERRUPT VECTORS

Software can read and write a channel's interrupt vector information in the Interrupt Vector Register (IVR). This register is also the basis of the vector that the channel returns during an interrupt acknowledge cycle in which the highest priority requesting type is in the channel.

The state of the VIS field (ICR12-9) has no effect on reading the IVR. VIS simply controls how the channel decides whether to return IVR15-8 or IVR7-0 as the interrupt vector when it responds to an interrupt acknowledge cycle.

Figure 7-18 shows the IVR. The basic vector can be written and read in its LSByte; software can read a modified version of the vector in its MSByte. (Writing the MSByte has no effect.) Bits 15-12 and 8 are the image of those in the corresponding bits of the LSByte, while the **TypeCode** field (IVR11-9) gives the identity of the highest priority interrupt type that has its IP bit set (the state of its IUS bit doesn't matter).

TypeCode	Meaning
000	No interrupt pending
001	Miscellaneous
010	I/O pin
011	Transmit Data
100	Transmit Status
101	Receive Data
110	Receive Status
111	(will not be read)

7.15 INTERRUPT VECTORS (Continued)

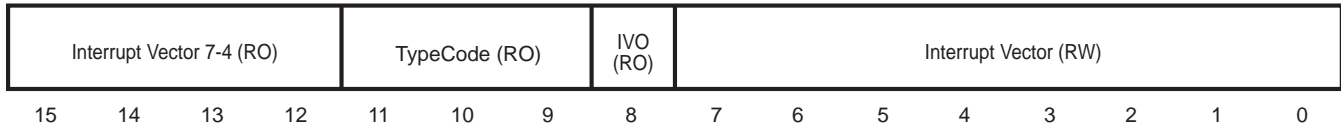


Figure 7-18. The Interrupt Vector Register (IVR)

7.16 SOFTWARE REQUIREMENTS

This chapter having described the features and functions of the USC that relate to interrupts, this final section will describe how these features should be used by interrupt service routines.

7.16.1 Nested Interrupts

An important characteristic of interrupt-driven systems is whether they allow nested interrupts, that is, whether they allow interrupt service routines (ISRs) to be themselves interrupted, or whether each ISR proceeds to completion before another interrupt can occur.

The USC supports nested interrupts by including an Interrupt Under Service (IUS) latch for each type of interrupt. When a USC channel that's requesting an interrupt sees an interrupt acknowledge cycle and its IEI pin is high, it automatically sets the IUS latch of the highest priority type that has its IP bit set. If interrupt acknowledge cycles are not visible to the USC, software can still allow nested interrupts by reading the IP bits from the LSbyte of the DCCR, and explicitly setting the IUS latch of the highest priority type that has its IP bit set, in the MSbyte of the same register.

Regardless of whether the IUS bit is set automatically or explicitly by software, once it's set the ISR can re-enable processor interrupts to allow other interrupts. The USC channel in question will not request another interrupt for the same type nor any lower-priority type within it, until software clears the IUS bit near the end of the ISR. Interrupts from other devices are controlled automatically if the devices are arranged in an interrupt daisy-chain; otherwise the central interrupt controller must control which devices can interrupt which ISRs.

If an ISR re-enables interrupts to allow nested interrupts from higher-priority types, it's a good practice to disable them once again, just before clearing the IUS bit near the end of the ISR. (They will be enabled again by the standard mechanism for the processor being used, e.g., an IRET or RETI instruction, after saved registers are restored from the stack.) This procedure prevents "tail recursion" when

there's heavy interrupt traffic, wherein the stack gets filled with multiple copies of saved registers because another interrupt of the same type happens as soon as the IUS is cleared.

7.16.2 Which Type(s) to Handle?

If an interrupt service routine (ISR) is initiated by an interrupt acknowledge cycle that obtains a vector from the USC, and the "Vector Includes Status" option is enabled, the service routine typically concerns itself only with the type identified by the vector, and returns from the interrupt after handling that single type.

Otherwise software should read the Interrupt Pending bits in the Daisy Chain Control Register (DCCR) to see which type(s) need service. This is particularly necessary on IBM-type Personal Computers, in which interrupt acknowledge cycles aren't visible to add-in peripherals.

If more than one IP bit is set in the DCCR, the ISR may handle only the most urgent type and return from the interrupt thereafter, like a "Vector Includes Status" ISR. Alternatively it may choose to handle all of the types that have their IP bits set, before returning to the interrupted process.

Without nested interrupts, worst-case interrupt response considerations may limit each ISR to handling just one type of interrupt before re-enabling interrupts and returning to the interrupted process. This allows the interrupt prioritizing mechanism to select which interrupt to handle next.

If nested interrupts can occur, it's more feasible for a USC ISR to handle all of the pending types within the device before returning to the interrupted process, because higher-priority ISRs will be able to run while it's doing so.

7.16.3 Handling a Type

The process of handling a single type of interrupt is the same regardless of whether the overall ISR handles only the highest priority pending type, or all the pending types within the device. The necessary steps vary for the various types in the USC.

The following descriptions don't attempt to cover everything that each type of ISR should do, only the minimum requirements needed to keep the interrupt subsystem operating correctly.

Receive Status or Transmit Status Type

1. Write the DCCR to clear the IP bit.
2. Read the RCSR or TCSR and handle the indicated conditions appropriately.
3. After all the conditions have been handled, write a byte to the LSbyte of the RCSR or TCSR, that has a 1 for each status bit that was handled and is armed by a 1 in the corresponding IA bit in the RICR or TICR. This clears/unlatches these status bits.
4. Write a zero byte to the LSbyte of the RICR or TICR, which disarms all the sources/status bits.
5. Write a byte to the same LSbyte, to re-arm those sources/status bits that should be armed for the future.

Steps 4 and 5 are needed only for these two types, to ensure that another interrupt will occur if the hardware sets armed sources/status bits after step 2, or if the bits are otherwise left as 1 by the ISR.

I/O Pin or Miscellaneous Type

1. Write the DCCR to clear the IP bit.
2. Read the MISR and handle the indicated conditions appropriately.
3. After all the conditions have been handled, write a byte to the LSbyte of the MISR, that has a 1 in each "L/U" bit that was handled and is armed by a 1 in the corresponding IA bit in the SICR. This clears/unlatches these status bits. (Of course, software may want to write ones to other L/U bits as well, such as those for unarmed conditions.)

Receive Data Type

1. Write the DCCR to clear the IP bit.
2. Read the RDR often enough to bring the fill level below the "Rx Data Interrupt Request Level" in the RICR. Under some conditions, writing a Purge Rx FIFO command to the CCAR would eliminate the need to read the TDR.

Typically, the ISR wants to read the fill level from the RICR, and read the RDR the number of times indicated by that value. In HDLC and similar modes, because the "RD" interrupt occurs for the end of a frame as well as when the fill level reaches the Request Level, software can't blindly read the number of characters set by the Request Level.

On a 16-bit bus the minimum Request Level is 01 (meaning interrupt when 2 characters have been received). In such a system it's OK for software to read only pairs of characters and leave the last (unpaired) character to be handled on the next interrupt. The exception is that in HDLC and similar modes, if the ISR gets a fill level of 01 from its first read of the RICR, the available character must be the last one of a frame, and as such should be read individually.

If the Request level is low and the serial rate is high, it might happen that enough characters arrive while software is reading the number indicated by the initial read from the RICR, so that the number of characters in the Rx FIFO never falls below the Request Level. This is particularly possible if the Request Level is 01 (meaning interrupt when 2 empty slots) and software only reads character pairs from the RDR. If this can happen, after software finishes reading each block of data, it should read the RICR again, and read more data from the RDR if needed, to ensure that future Rx Data interrupts will occur.

In HDLC and similar modes, software will want to know where frames end. On a 16-bit bus, if the oldest character in the Rx FIFO is the last one of a frame, and software tries to read 2 characters from the RDR, the USC only removes the oldest character from the Rx FIFO. The routine handling Receive Data interrupts can determine frame/message boundaries in two ways:

- a. Read the RCSR after each read from the RDR. If the 1stBE or 2ndBE bit and the RxBound bit are set, the previous read included the last character of a frame. In this case, if 1stBE is 1 then the last read yielded only 1 character, else it included 2 characters.
- b. Enable nested interrupts and have the Rx Status ISR, when it sees an RxBound condition, do something to affect the operation of the RxData ISR when it resumes. This is tricky but is the sort of thing that can help make life as a programmer interesting.

7.16.3 Handling a Type (Continued)

Transmit Data Type

1. Write the DCCR to clear the IP bit
- 2a. Write the TDR often enough to bring the number of empty bytes in the TxFIFO below the "Tx Data Interrupt Request Level" in the TICR. OR,
- 2b. Write the (TCSR and) TICR with a smaller Request Level, to accomplish the same purpose. OR,
- 2c. Write the ICR to disable the Transmit Data interrupt.

Typically the ISR wants to read the fill level from the TICR and write the TDR enough times to fill the TxFIFO, or write enough character pairs to fill it except for one empty position. If there isn't enough data available to do this, the ISR might want to change the Request Level to 31 (hex 1F) so that the next Transmit Data interrupt will occur when the FIFO is empty, and then write all the available characters to the TDR.

If the Request level is low and the serial rate is high, it might happen that the Transmitter takes enough characters out of the TxFIFO while software is writing the number indicated by the initial read from the TICR, so that the number of empty slots never falls below the Request Level. This is particularly possible if the Request Level is 01 (meaning interrupt when 2 empty slots) and software only writes character pairs to the TDR. If this situation can happen, after software finishes writing a block of data to the TDR, it should read the TICR again time and write more data to the TDR if needed, to ensure that future Tx Data interrupts will occur.

In HDLC and similar modes, the part of the ISR that handles Tx Data interrupts typically needs to take special actions at the end of each frame. It can do this with or without using the Transmit Character Counter (TCC), and can use the TCC either directly or by means of the 32-bit Transmit Control Block (TCB) feature.

Using the TCC directly:

- a. At the start of each frame software should load the TCLR with the number of data characters in the frame/message, and then write a Load TCC command to the CCAR.
- b. If, on a 16-bit bus after software has written enough characters to the TDR to decrement the TCC down to 0001, software writes 16 bits to the TDR, the USC will only place the single character from the AD7-0 pins into the TxFIFO, ignoring the character on D15-8. In a Little-Endian (Intel-type) system this is OK. In a Big-Endian (Motorola-type) system software can avoid problems by either copying the last character of each Tx frame into the next-higher byte location after the memory buffer, or by writing the last byte of the frame using a byte write operation.

- c. The hardware automatically tags the character that corresponds to decrementing the TCC from 1 to 0. After this character goes through the TxFIFO and out onto the link, the Transmitter finishes the frame, typically by sending the CRC and closing Flag.
- d. Software can either read the TCC or use its own length-tracking mechanism, to know when each frame ends and thus when to write the TCLR again.

Using 32-bit TCBs:

- a. Before the start of the first frame after a Reset, software has to write a Purge TxFIFO or a Load TCC command to the CCAR, to make the USC expect the first TCB. (For subsequent frames this step isn't necessary.)
- b. At the start of each frame software should write a 32-bit TCB to the TDR, of which the last 16 bits are the number of data characters in the frame.
- c. If, on a 16-bit bus after software has written enough characters to the TDR to decrement the TCC down to 0001, software writes 16 bits to the TDR, the USC will only place the single character from the AD7-0 pins into the TxFIFO, ignoring the character on D15-8. In a Little-Endian (Intel-type) system this is OK. In a Big-Endian (Motorola-type) system software can avoid problems by either copying the last character of each Tx frame into the next-higher byte location after the memory buffer, or by writing the last byte of the frame using a byte write operation.
- d. The hardware automatically tags the character that corresponds to decrementing the TCC from 1 to 0. After this character goes through the TxFIFO and out onto the link, the Transmitter finishes the frame, typically by sending the CRC and closing Flag.

Not using the TCC:

- a. Software doesn't need to do anything special to the USC at the start of a frame, other than to initialize its own frame-length-tracking mechanism.
- b. While writing the frame to the TDR on a 16-bit bus, if there are two characters left in the frame, software must write the second-last character to the LSbyte of the TDR using a byte write operation.
- c. Before writing the last character of the frame to the LSbyte of the TDR, software should write a Set EOF/EOM command to the MSbyte of the TCSR.
- d. After the last character goes through the Tx FIFO and out onto the link, the Transmitter finishes the frame, typically by sending the CRC and closing Flag.

7.16.4 Exiting the ISR

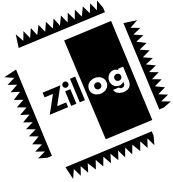
If an IUS bit was set by an interrupt acknowledge cycle or explicitly by software, then after the ISR has handled one or more interrupt types as described above, it must clear the IUS bit that was set. (If nested interrupts were enabled, it's a good practice to first disable interrupts again, to avoid filling the stack with multiple copies of saved registers, in case another interrupt of the same type happens right after IUS is cleared. The normal mechanism provided by the processor for ending an ISR, e.g., an IRET or RETI instruction, will then re-enable interrupts after saved registers and such are restored from the stack.)

Software can clear IUS by writing to the MSbyte of the DCCR, or by writing a "Reset Highest IUS" command to the MSbyte of the CCAR. The latter method is more general than the former.

© 1997 by ZiLog, Inc. All rights reserved. No part of this document may be copied or reproduced in any form or by any means without the prior written consent of ZiLog, Inc. The information in this document is subject to change without notice. Devices sold by ZiLog, Inc. are covered by warranty and patent indemnification provisions appearing in ZiLog, Inc. Terms and Conditions of Sale only. ZiLog, Inc. makes no warranty, express, statutory, implied or by description, regarding the information set forth herein or regarding the freedom of the described devices from intellectual property infringement. ZiLog, Inc. makes no warranty of merchantability or fitness for any purpose. ZiLog, Inc. shall not be responsible for any errors that may appear in this document. ZiLog, Inc. makes no commitment to update or keep current the information contained in this document.

ZiLog's products are not authorized for use as critical components in life support devices or systems unless a specific written agreement pertaining to such intended use is executed between the customer and ZiLog prior to use. Life support devices or systems are those which are intended for surgical implantation into the body, or which sustains life whose failure to perform, when properly used in accordance with instructions for use provided in the labeling, can be reasonably expected to result in significant injury to the user.

ZiLog, Inc. 210 East Hacienda Ave.
Campbell, CA 95008-6600
Telephone (408) 370-8000
Telex 910-338-7621
FAX 408 370-8056
Internet: <http://www.zilog.com>



CHAPTER 8

SOFTWARE SUMMARY

8.1 INTRODUCTION

This chapter includes a bit by bit description of all the registers in the IUSC.

8.2 ABOUT RESETTING

The USC is placed in an initial inactive state whenever external hardware drives the /RESET pin low. In this state, it stores the next data written to it in the Bus Configuration Register (BCR), whichever register address within it software uses for the write operation. Chapter 2 describes how the address used for the BCR write is actually important, in the sense that the address line connected to the A//B pin (the one used for channel selection in normal operation) determines whether the USC drives and receives the /WAIT//RDY pin as a "wait" or "acknowledge" handshake.

Aside from requiring the BCR write, software can reset a channel just as thoroughly and completely as a hardware reset does. 'Resetting a Channel' in Chapter 5 describes how to do this, by first writing a 1 to the RTReset bit in the Channel Command/Address Register (CCAR10), and then writing zeroes to the whole CCAR.

After either a hardware or a software reset, all register bits in the USC are zero except for the following:

1. The following bits reflect the state of pins. The USC treats these as inputs until and unless software programs them as outputs.

MISR14	/RxC
MISR12	/TxC
MISR10	/RxREQ
MISR8	/TxREQ
MISR6	/DCD
MISR4	/CTS
CCSR1	/TxACK
CCSR0	/RxACK
2. The following bits are 1 because the Tx FIFO is empty:

TCSR0	TxEmpy
TICR13	(indicates 32 empty entries)

8.3 PROGRAMMING ORDER

USC® family members aren't as particular about the order in which software programs their register fields as are the members of ZiLog's SCC family. Still, initializing registers in the wrong order can thoroughly confuse the USC's internal logic and make it do strange things. Always initialize the USC in the following order:

1. Set the pin configurations in the IOCR. While it's OK to change the modes and even the direction of a signal dynamically, it should be fairly obvious that if you're going to use pins in certain ways, they ought to be pointing in the right direction before telling internal logic to use them.
2. Select the clocking scheme in the CMCR and HCR. (It's OK to enable a BRG at this point if it's only used for clocking, but if it's used for interrupts it's probably best to wait until later.)
3. Set up most or all of the other mode and control bits in the Transmitter, Receiver, etc., but don't enable anything to run or operate until all of the basic modes and controls are in place. This procedure avoids messy interactions when one internal unit is trying to signal another before the latter is ready to listen.
4. Set up the initial Interrupt Arm bits and Interrupt Enable bits; it might be a good superstition to clear all the IP and IUS bits after doing this.
5. Enable whichever units need to run and operate initially. Some units might not want to be enabled until later, like enabling the Transmitter and Receiver after a call is established.
6. Finally, set the Master Interrupt Enable (MIE) bit. In general, you want to do this last so that interrupt service routines can assume that everything's set up in its starting configuration.

8.4 USING DMA TO INITIALIZE A CHANNEL

Instead of software initializing a channel by writing the various registers itself, it can initialize a channel's external Transmit DMA controller first and then use the DMA controller to initialize the serial channel. To do this:

1. Initialize the transmit DMA controller, including giving it the address of a sequence of bytes or 16-bit words that will initialize the channel. If there's only an 8-bit bus, structure this string as a series of byte pairs. The first byte of each pair goes into the LSByte of the Channel Command/Address Register (CCAR) to identify the destination (register address) of the second byte of the pair. If there's a 16-bit bus, structure the sequence as pairs of 16-bit words. The first word of each pair goes into CCAR to identify the destination of the second word of the pair.
2. Arrange the string/sequence to initialize the channel registers in the order described in the previous section. Make the **ChanLoad** bit (bit 7) of the first byte or word of each pair be 1, except make it 0 in the last entry of the sequence. If the RegAddr field in that last entry is non-zero, that is, if it doesn't point to the CCAR, the USC will request that the DMA controller fetch the second byte or word of the last pair and write it into the indicated register before finishing the initializing operation. If the RegAddr is zero, the USC will release /TxREQ and stop without accessing a following byte or word.
3. Program the DMA controller with the length of the initializing string. This should include at least the first byte or word of the last entry, and optionally the second word or byte, as described above.
4. Start the DMA controller so that it will respond to the channel's /TxREQ output.
5. Write a "Trigger Channel Load DMA" command (hex 20) to the MSByte of the CCAR.
6. Assuming the processor is set up to grant use of the bus to the DMA controller, the operation should complete very quickly. This should be verified by checking the DMA controller status.

8.5 DETERMINING THE DEVICE REVISION LEVEL

Zilog makes every effort to improve devices like the 16C30 while preserving compatibility with software developed on earlier devices. Nonetheless, for some purposes (like using new features) software needs to tell which revision of the device it's operating on, and behave differently for different revisions.

The Test Mode Control Register (TMCR) is register number 00111 (typically addresses 0E-0F), and the Test Mode Data Register (TMDR) is register 00110 (typically addresses 0C-0D). If software writes the value 31 (hex 1F) to the TMCR and then reads the TMDR as a 16-bit word, a USC manufactured prior to June of 1993 will return the hex value 4453, while those manufactured after that time will

return 4D44. Reading bytes from the TMDR will return the LSbyte (hex 53 or 40) for both odd and even addresses. If there are future functional revisions to the device, they will return some other value.

Software can use this feature to determine whether it can use new features of later devices, such as the Purge Rx command (described in the Commands section of Chapter 5) and the UnderWait feature (described in the 'Handling Overruns and Underruns' section of the same chapter)."

8.6 TIPS AND TECHNIQUES

This section describes some of the common ways that people have gotten in trouble using the USC, in hardware and software.

8.6.1 Common Hardware Problems

H1. /DS OR (/RD and /WR), not both

External logic can drive /RD or /WR or /DS or /PITACK during a bus cycle, but not more than one of them. This restriction includes /TxACK and/or /RxACK if they're used as DMA Acknowledge signals. Unused signal(s) among these can be connected together and to a pullup resistor or to V_{CC} .

H2. More pullups!

USC designs need a lot of pullup resistors, for various reasons:

- Unused inputs or I/Os: /IEI, /SITACK, /PITACK, /ABORT
- Outputs tri-stated until USC initialized: /BUSREQ, /INT
- Bus control signals that aren't always driven by external logic: /AS, R/W, /DS, /RD, /WR.
- Serial inputs that aren't driven by external logic in some cases: /TxREQ, /RxREQ, /TxC, /RxC, /CTS, /DCD.

H3. /WAIT//RDY neither open-drain nor rescinded

/WAIT//RDY is a totem-pole output. This can be a time-critical signal, and RC rise times aren't good in critical applications. The /WAIT//RDY outputs of multiple USCs have to be ORed (positive-logic ANDed) using a logic gate.

H4. Drive /AS whenever /RD, /WR, or /DS

Designs that synthesize an /AS pulse to multiplex a non-multiplexed bus (so that software doesn't have to write register addresses to indirect address registers) need to pulse /AS low in all cycles that include a pulse on /RD, /WR, or /DS. Several designers, including the writer, have gotten in trouble trying to save power and noise by only driving /AS low in host cycles targeted for the USC. It's OK to do this if /RD and /WR or /DS are similarly qualified, so that they occur only during cycles targeted to the USC. But if the logic blocks the /AS and then shows the part one of the other strobes, it figures it's still "chip selected" (after all, didn't the last /AS show /CS low?) and responds to the cycle that's actually intended for a different slave.

8.6.2 Common Software Problems

S0. "Unreset"

The software Reset facility in the CCAR has to be set and then cleared. The part will not operate correctly if RTRReset (CCAR10) is left as 1.

S1. Register Initialization Order

There are certain constraints on the order in which the various registers in the USC should be initialized, as described earlier in this chapter. Many of them are common-sense points, but some "obvious" approaches, like initializing the registers in address order or alphabetical order, are not likely to succeed.

8.6.2 COMMON SOFTWARE PROBLEMS (Continued)

S2. WordStatus problems

In general, software wants to program the WordStatus bit (RICR3) the same as BCR2, which indicates whether your application uses a 16-bit bus. If software or the Rx DMA channel sometimes read bytes and sometimes words from the RDR/RxFIFO, change WordStatus as necessary before each access. If software writes the LSbyte of RICR to change the Rx Status IA bits, be sure it preserves the proper setting of WordStatus while doing so.

S3. Transmit Data Length

Note that in applications that use a DMA controller on the Transmit side, there are typically two controls required on the length of transmitted data. The Tx DMA channel typically has a register that controls how many bytes the DMA channel takes from each buffer. This value must include any Transmit Control Blocks that are provided in DMA buffers.

The TCLR in the Transmitter, which is typically set from the second word of the TCB if TCBs are used, controls how many bytes the Transmitter sends in each frame, and should not include CRC bytes that the Transmitter calculates and sends, but should include CRC bytes that are “passed through” from a received frame without change.

S4. Receive Data Length

There is one required control, one optional control, and one reporting mechanism associated with the length of received data. The Rx DMA channel typically includes a register that controls the (maximum) number of bytes the channel will store in each buffer. The length of Rx memory buffers, and thus values for said Rx DMA channel register, should allow for storing CRCs if they're used, and also allow for RSBs if they're stored in the buffer.

The optional control is the value of the RCLR, which can be set to the length of the longest frame that can be legally received, including the CRC. An optional interrupt when the RCC underflows can be enabled to notify software of an unduly long frame, which generally indicates the corruption of the Flag(s) between two frames.

The reporting mechanism is the ending value of the RCC for each frame, which can be read by software from the RCC FIFO. The length of the frame, including CRC bytes, can be computed by subtracting this ending value from the starting value of the RCLR. If RCLR is set to all ones, the frame length is simply the ones complement of the ending value.

S5. FIFO Thresholds

The Tx and Rx DMA thresholds must be set to at least 1 on a 16-bit bus, meaning “request DMA transfer when at least two characters have been received or when there are at least two empty character locations in the TxFIFO”. Many applications operate best if the DMA thresholds are set at about half full. Lower values provide greater protection against Rx Overruns and Tx Underruns, but can reach a point of diminishing returns due to increasing overhead of getting on and off the external bus.

It's a good programming practice to protect the DMA thresholds from inadvertent destruction by word writes to the TICR and RICR, by writing “Select FIFO Status” commands to the TCSR and RCSR after the thresholds are set.

Typically you don't want Tx nor Rx Data interrupts in DMA applications, in which case there's no need to program the Interrupt thresholds. Just leave the IE bits for these interrupts 0.

S6. Interrupts for Rx Overrun and Tx Underrun

These are the two things the USC needs software to deal with fairly immediately. Software should virtually always enable interrupts for these two conditions. They are preferable to related interrupts like Abort Sent because they occur earlier and allow software to deal with the conditions sooner.

S7. Interrupt handling

A new section at the end of Chapter 7 gives specific requirements for each type of interrupt. In general, the strategy is 1) clear IP, 2) read the status bits, handle them including clearing/unlatching them, and 3) clear IUS. Interrupts can be lost if this order isn't followed. The efficient-sounding command "clear IP and IUS" that the USC offers, is seldom a good idea and should be avoided, except during device initialization.

S8. Clearing all IA bits for Rx and Tx Status interrupts

For these two types of interrupts, software has to clear all of the IA bits after it reads and clears the status bits, and then set the desired IAs again, to ensure that any status conditions that have arisen since software last read the status, will cause a subsequent interrupt request.

S9. Priming the Transmitter for Transmit Control Blocks

When using TCBs, after a hardware or software Reset, software must force the Transmitter to expect the initial TCB by issuing a Purge Tx FIFO or Load TCC command.

S10. Interlocks are "after end of frame" not "before start"

The three classes of interlocks for software synchronization between frames, Wait2Send/Send Frame, Wait4TxTrig/Trigger Tx DMA, and Wait4RxTrig/Trigger Rx DMA, all occur after the end of a frame, not before the first frame after the part is set up. Thus these three commands aren't needed after device initialization.

S11. Preserving loopback/echo settings

If you want to set a loopback or echo mode in CCAR9-8, be sure to preserve it when writing commands to the MSbyte of CCAR. If your processor has an "OR to memory" command and the USC is memory-mapped, that instruction is a natural for issuing commands. Similarly, if your application is on a 16-bit bus and must write indirect register addresses to the CCAR, be sure to preserve CCAR9-8 when doing so.

8.7 TEST MODES

The USC includes a facility intended for ZiLog's device testing, that gives software access to certain internal signals and registers that are not otherwise accessible. The low-order bits of the Test Mode Control Register

(TMCR) serve to select which internal signals or registers are accessed by reading (or in some cases writing) the Test Mode Data Register (TMDR). The choices are as follows:

TMCR4-0	Signals/Register Selection	R/W Status
00001	TMDR15-8: Rx shift register, MSbyte TMDR 7-0: Tx shift register, MSbyte	RO RO
00010	TMDR15-8: Rx CRC checker, LSbyte TMDR 7-0: Tx CRC generator, LSbyte	RO RO
00011	TMDR15-8: Rx CRC checker, bits 15-8 TMDR 7-0: Tx CRC generator, bits 15-8	RO RO
00100	serial side of RxFIFO: TMDR11:ShortF/CVType status bit TMDR10:Abort/PE status bit TMDR9:RxBound status bit TMDR8:CRC Error status bit TMDR7-0:data character	WO WO WO WO WO WO
00101	Clock MUX outputs (see Figure 8-1 below)	RO
00110	TMDR12-8: CTR1 value TMDR4-0: CTR0 value	RO RO
00111	Clock MUX inputs (see Figure 8-2 below)	RO
01000	TMDR15:DPLL Adjust TMDR14:DPLL Shorten/Extend TMDR13: DPLL One/Two TMDR12-8: DPLL State	RO RO RO RO
01001	TMDR15-8: Rx shift register, LSbyte TMDR 7-0: Tx shift register, LSbyte	RO RO

TMCR4-0	Signals/Register Selection	R/W Status
01010	TMDR15-8: Rx CRC checker, bits 23-16 TMDR 7-0: Tx CRC generator, bits 23-16	RO RO
01011	TMDR15-8: Rx CRC checker, bits 31-24 TMDR 7-0: Tx CRC generator, bits 31-24	RO RO
01100	serial side of TxFIFO: TMDR10:EOF/EOM bit TMDR9:CRC enable bit Transparent Bisync: insert DLE Nine-Bit mode: Address/Data TMDR7-0:RxFIFO, data character	RO RO RO RO RO RO
01110	I/O and Misc status (see Figure 8-3 below)	WO
01111	internal interrupt daisy chain: TMDR13:Rx Status IEO TMDR12Rx Data IEO TMDR11:Tx Status IEO TMDR10:Tx Data IEO TMDR9:I/O Pin IEO TMDR8:Misc IEO	RO RO RO RO RO RO
10110	Receive Count Holding Register (RCHR)	RO
11111	Device Version Code: 4453 Device manufactured before June 93 4D44 Device manufactured after June 93	RO RO RO

Some of this information may be of use to software. However, the hardware access time for reading the TMDR is considerably longer than for other USC registers. (See the Product Description document for details.)

If software needs to read any of the above Test Mode information, the hardware design must provide more time for the data lines to become valid, than would otherwise be necessary. This may require the injection of more "wait states" into such read cycles than would be needed for other registers. In some cases the best solution is a

software-programmable wait state generator that can extend accesses to TMDR but not penalize performance for other USC register accesses.

The TMDR is designed as a device test facility that a tester can read or write 16 bits at a time. Reading its "MSByte" address returns the contents of the "LSbyte". Therefore the MS 8 bits of the TMDR cannot be accessed over an 8-bit bus.

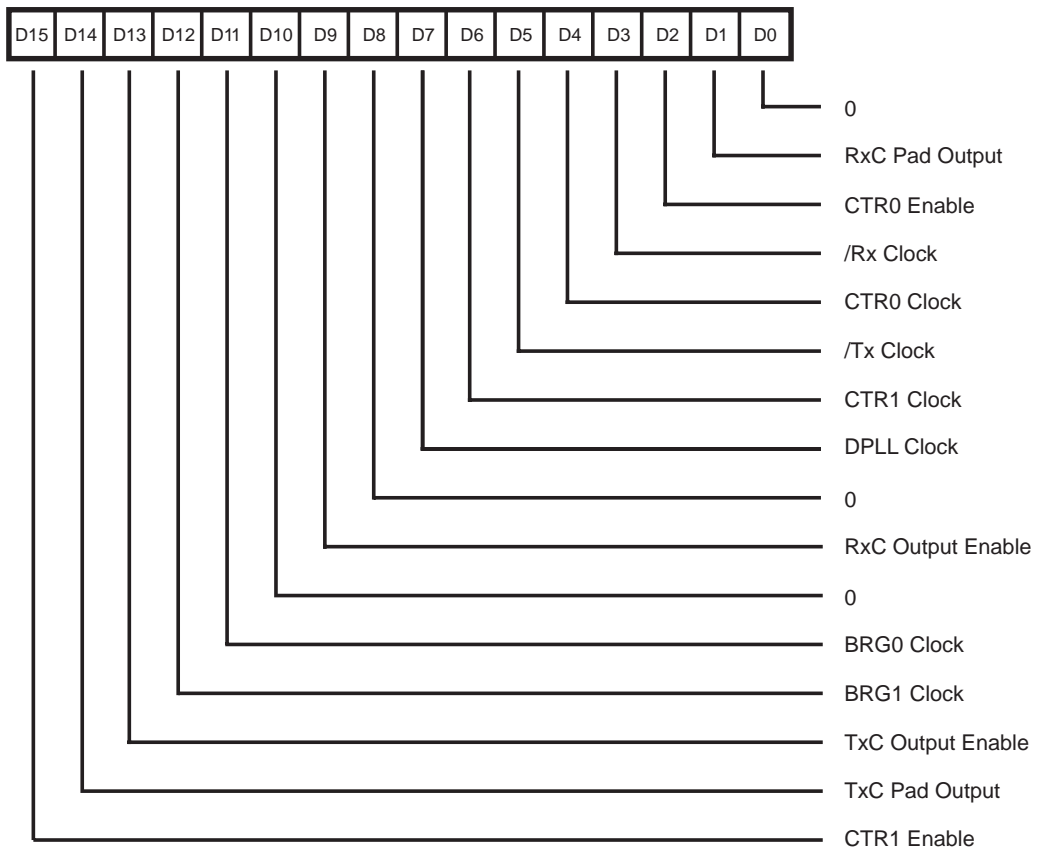


Figure 8-1. Test Mode Data Register with TMCR 4-0=00101 (Clock Mux Outputs)

8.7 TEST MODES (Continued)

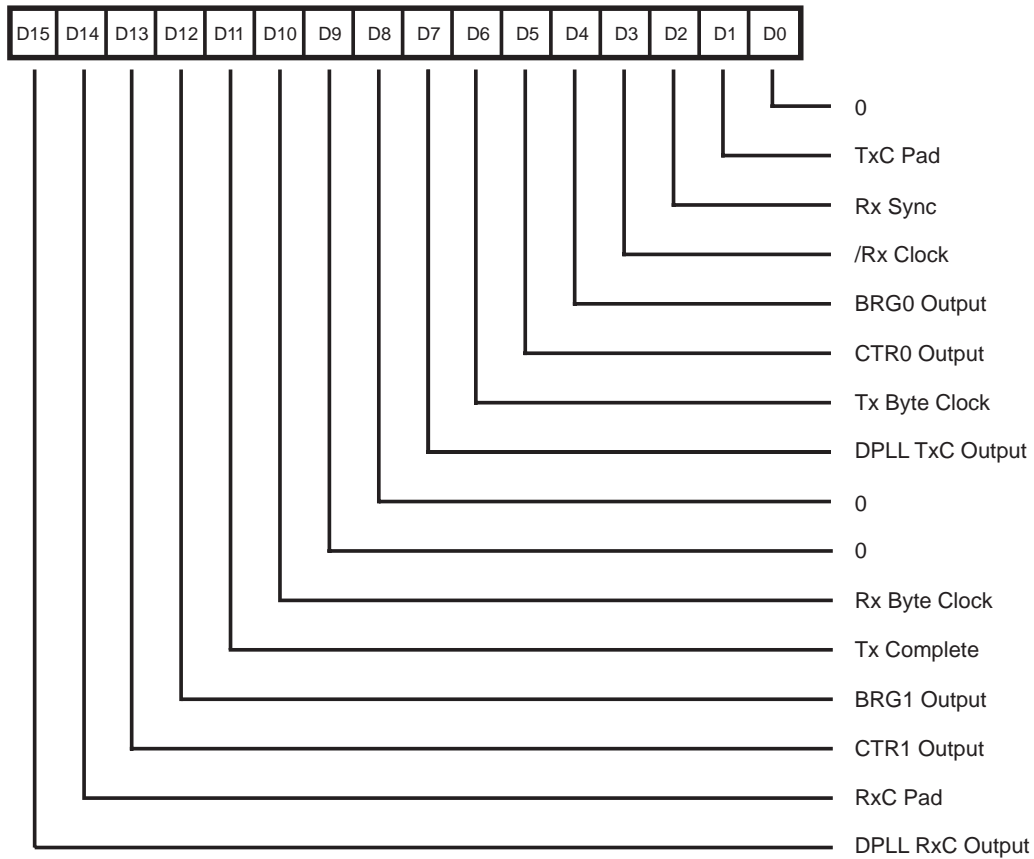


Figure 8-2. Test Mode Data Register with TMCR 4-0=00111 (Clock Mux Inputs)

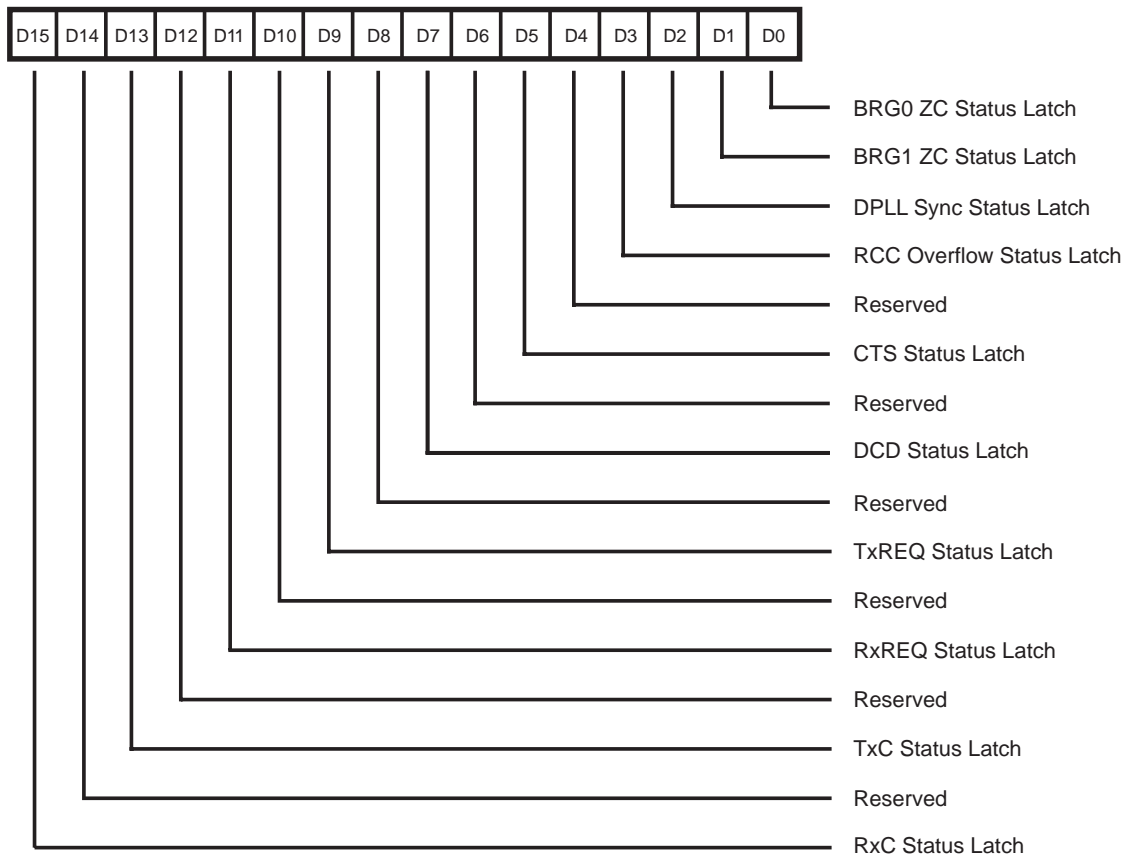


Figure 8-3. Test Mode Data Register with TMCR 4-0=01110 (I/O and Misc Status)

8.8 REGISTER REFERENCE

The following pages include all of the fields in all of the registers in one of the USC's channels, plus the Bus Configuration Register which is common to both channels. They are arranged in alphabetical order by register name, like Table 2 in Chapter 2. (If you want to look up a register by its address/register number, look in Table 1 in Chapter 2 and then come back here)

8.8.1 Register Addresses

These are located to the right of the name of each register on the following pages, and are shown as d b aaaaa, where:

d represents the state of D//C (1=high=data)
 b is 1 for a byte access on a 16-bit bus (it's just shown as "b" in all cases, like a placeholder);
 aaaaa is the actual register address, from AD5-1, AD13-9, or CCAR5-1.

8.8.2 Conditions/Context

Entries in this column indicate the conditions under which descriptions to their right apply or can validly be used. If an entry is blank, the description to the right always applies.

8.8.3 Description

Often entries in this column consist of one or more subentries of the form "value=description". If some possible values aren't shown, it may mean they are reserved (and

should not be written) or that they will never be read. Or, particularly for single Read-Write bits, if the other case is obvious, it's left out. For example, for an entry like "1=dog is dead" we didn't feel obliged to add "0=dog is alive". The following abbreviation is used in some entries in this column and "Conditions/Context":

:= this "assignment operator" indicates that the value on its right is written to the field or bit on its left.

8.8.4 RW Status

This column includes the following codes for each register field:

RW	The field is fully under the control of software, and can be read and written.
RO	The field is read only; writing to it has no effect.
ROC	The bit is read-only; the USC clears it automatically after software reads it as 1.
WO	The field is write-only; reading it will either return zeroes or an unrelated item that's described next in the list.
WOC	The field is write only. After using its value the USC will clear it to zero, so that it points back to the indirect address register.
R,W1C	The bit is set by the USC hardware, writing a 1 to it clears it.
R,W1U	The bit is controlled by the USC hardware, writing a 1 to it "unlatches" it.

Bus Configuration Register (BCR)

No Address (First Write after /RESET)

SepAd	Reserved (Must be zero)	16Bit	2Pulse IACK	SRight A											
15	14	13	12	11	10	9	8	7	6	5	4	3	2	1	0

Bit(s)	Field/Bit Name	Conditions /Context	Description	RW Status	Ref Chapter: Section
BCR15	SepAd	8-bit bus	1 if AD13-8 carry register addresses	WO	2: Bus Configuration Register
		16-bit bus	Must be 0		
BCR2	16-Bit		0=8-bit data on AD7-0; 1=16-bit data on AD15-0		
BCR1	2PulseIACK	/PITACK used	0=one pulse on /PITACK per interrupt acknowledge; 1 = two pulses (Intel compatible)		
BCR0	SRightA	Muxed AD	1=use AD6-0 as B/W, RegAddr, U/L 0=use AD7-1		

RW = Read/Write, RO = Read Only, WO = Write Only – for other codes see p. 8-10.

Channel Command/Address Register (CCAR)

Register Address 0 b 0000

RTCmd				RT Reset	RTMode	Chan Load	B//W	RegAddr				U//L			
15	14	13	12	11	10	9	8	7	6	5	4	3	2	1	0

Bit(s)	Field/Bit Name	Conditions /Context	Description	RW Status	Ref Chapter: Section
CCAR15-12	RTCmd		0000=no operation 0001=Reserved 0010=Reset Highest Serial IUS 00100=Trigger Channel Load DMA 00101=Trigger Rx DMA 00110=Trigger Tx DMA 00111=Trigger Rx and Tx DMA 01001=Purge Rx FIFO 01010=Purge Tx FIFO 01011=Purge Rx and Tx FIFO 01101=Load RCC 01110=Load TCC 01111=Load RCC and TCC 10001=Load TC0 10010=Load TC1 10011=Load TC0 and TC1 10100=Select Serial Data LSBit First 10101=Select Serial Data MSBit First 10110=Select D15-8 First 10111=Select D7-0 First 11001=Purge Rx all other values are Reserved and should not be programmed	WO	5: Commands
CCAR10	RTRReset		1=put channel in software Reset state 0=release it from Reset state	RW	5: Resetting a USC Channel
CCAR9-8	RTMode		00=normal mode: Tx and Rx are independent 01=echo RxD to TxD 10=Local Loop TxD to RxD 11=internal Local Loop	RW	4: The RxD and TxD Pins
CCAR7	ChanLoad	Channel Load DMA	1=continue Channel Load operation; 0=terminate it	RW	8: Using DMA to Initialize a Channel
CCAR6	B//W	16-bit bus	0=16-bit access to register selected by RegAddr 1=access MS or LS byte of register	WOC	2: Register Addressing
CCAR5-1	RegAddr		register address for next access to CCAR (see Table 1)	WOC	
CCAR0	U//L		1=access MSByte of reg selected by RegAddr 0=access LSByte or whole 16-bit register	WOC	

RW = Read/Write, RO = Read Only, WO = Write Only – for other codes see p. 8-10.

Channel Command/Status Register (CCSR)

Register Address 0 b 00010

RCCF Ovflo	RCCF Avail	Clear RCCF	DPLL Sync	DPLL 2Miss	DPLL 1Miss	DPLLEdge	On Loop	Loop Send	Resrvd	TxResidue		/TxACK	/RxACK		
15	14	13	12	11	10	9	8	7	6	5	4	3	2	1	0

Bit(s)	Field/Bit Name	Conditions /Context	Description	RW Status	Ref Chapter: Section
CCSR15	RCCF Ovflo	RCC Enabled	1=RCC FIFO overflow (4+1 frames)	RO	5: DMA Support Features: The RCC FIFO
CCSR14	RCCF Avail		1=RCC FIFO not empty	RO	
CCSR13	Clear RCCF		1=purge RCC FIFO, clear RCCF Ovflo and RCCF Avail to 0	WO	
CCSR12	DPLL Sync		1=DPLL in sync	R,W1C	4: More About the DPLL
CCSR11	DPLL2Miss	Biphase	1=DPLL has seen two consecutive missing clocks	R,W1C	
CCSR10	DPLL1Miss	Biphase, CVOK=0	1=DPLL has seen a missing clock	R,W1C	
CCSR9-8	DPLLEdge		00=DPLL resyncs on rising and falling edges	RW	
		NRZ modes only	01=DPLL sees rising edges only; 10=DPLL sees falling edges only; 11=DPLL free-runs like CTR1,0		
CCSR7	OnLoop	Slaved Monosync	1=Transmit is or has been active (cleared only by leaving Slave Monosync mode)	RO	5: Slaved Monosync Mode
		H/SDLC Loop	1=USC has inserted itself in the loop		5: HDLC/SDLC Loop Mode
CCSR6	LoopSend	H/SDLC Loop	1=Transmit actively sending; 0=Transmit repeating Receive	RO	5: HDLC/SDLC Loop Mode
CCSR4-2	TxResidue	H/SDLC, H/SDLC Loop	000=last character of Transmit frame contains 8 bits; 001-111=last character contains 1-7 bits	RW	5: HDLC/SDLC Mode: Frame Length Residuals
CCSR1	/TxACK	TxA Mode (HCR7-6) =00	1=/TxACK pin is low	RO	4: The /TxACK and /RxACK Pins
CCSR0	/RxACK	RxA Mode (HCR3-2) =00	1=/RxACK pin is low		

RW = Read/Write, RO = Read Only, WO = Write Only – for other codes see p. 8-10.

Channel Control Register (CCR)

Register Address 0 b 00011

TxCtrlBlk		Wait4 Tx Trig	Flag Pre Amble	Async:TxShaveL				RxStatBlk	Wait4 Rx Trig	Reserved (0)					
15	14	13	12	11	10	9	8	7	6	5	4	3	2	1	0

Bit(s)	Field/Bit Name	Conditions /Context	Description	RW Status	Ref Chapter: Section
CCR15-14	TxCtrlBlk		00=don't use Transmit Control Blocks; 10=use 32-bit TCB's	RW	5: DMA Support Features: Transmit Control Blocks
CCR13	Wait4TxTrig	Sync	1=hold Transmit DMA Request between frames/messages, until software issues "Trigger Tx DMA" command		5: Synchronizing Frames/ Messages with Software Response
CCR12	Flag Preamble	H/SDLC, CCR9-8 =01	1=send Flags as Preamble		5: Between Frames, Messages, or Characters
CCR11-8	TxShaveL	Async, CMR15=1	shave the number of Stop bits specified by TxSubMode CMR14 by (15 minus the value in this field)/16 bit times		5: Asynchronous Mode
CCR11-10	TxPreL	Sync w/ Preamble	00=send 8-bit Preamble; 01=16-bit; 10=32-bit; 11=64-bit		5: Between Frames, Messages, or Characters
CCR9-8	TxPrePat	Sync w/ Preamble	00=all-zero Preamble; 01=all ones; 10=101010...; 11=010101...		
CCR7-6	RxStatBlk		00=do not use Receive Status Blocks;		5: DMA Support Features: Receive Status Blocks
		Ext Sync, T. Bisync, H/SDLC, 802.3,	01=use 16-bit RSB's; 10=use 32-bit RSB's		
CCR5	Wait4 RxTrig	Sync	1=hold Receive DMA Request between frames/ messages, until software issues "Trigger Rx DMA" command		5: Synchronizing Frames/ Messages with Software Response

RW = Read/Write, RO = Read Only, WO = Write Only – for other codes see p. 8-10.

Channel Mode Register (CMR)

Register Address 0 b 00001

TxSubMode				TxMode				RxSubMode				RxMode			
15	14	13	12	11	10	9	8	7	6	5	4	3	2	1	0

Because the content of the SubMode fields depends on the Mode fields, the following descriptions are grouped by mode. TxSubMode and RxSubMode bits that are not shown for a particular Mode value are Reserved in that mode and should be programmed with zeros.

Bit(s)	Field/Bit Name	Conditions /Context	Description	RW Status	Ref Chapter: Section
CMR11-8	TxMode		0000=Asynchronous	RW	5: Asynchronous Mode
CMR15-14	TxSubMode	TxMode=0	00=send one stop bit; 01=two stop bits; 10=1 shaved stop bit (per CCR11-8); 11=2 shaved stop bits	RW	
CMR13-12			00=16 TxCLKs/Tx bit; 01=32 TxCLKs/Tx bit; 10=64 TxCLKs/Tx bit		
CMR3-0	RxMode		0000=Asynchronous	RW	
CMR5-4	RxSubMode	RxMode=0	00=16 RxCLKs/Rx bit; 01=32 RxCLKs/Rx bit; 10=64 RxCLKs/Rx bit	RW	
CMR11-8	TxMode		0001=Reserved	RW	
CMR3-0	RxMode		0001=External Sync		5: External Sync Mode
CMR11-8	TxMode		0010=Isochronous	RW	5: Isochronous Mode
CMR14	TxSubMode	TxMode=2	0=send one stop bit; 1=two stop bits	RW	
CMR3-0	RxMode		0010=2=Isochronous	RW	
CMR11-8	TxMode		0100=4=Monosync	RW	5: Monosync and Bisync Modes
CMR15	TxSubMode	TxMode=4	1=send CRC on Tx Underrun	RW	
CMR13			1=send Preamble before opening Sync		
CMR12			0=send 8-bit Syncs; 1=send Syncs per TxLength		
CMR3-0	RxMode		0100=4=Monosync	RW	
CMR5	RxSubMode	RxMode=4	0=strip received Syncs; 0=include them in RxFIFO and CRC calculation	RW	
CMR4			0=expect 8-bit Syncs; 1=expect Syncs per RxLength		

RW = Read/Write, RO = Read Only, WO = Write Only – for other codes see p. 8-10.

Channel Mode Register (CMR) (Continued)

Because the content of the SubMode fields depends on the Mode fields, the following descriptions are grouped by mode. TxSubMode and RxSubMode bits that are not shown for a particular Mode value are Reserved in that mode and should be programmed with zeros.

Bit(s)	Field/Bit Name	Conditions /Context	Description	RW Status	Ref Chapter: Section
CMR11-8	TxMode		0101=5=Bisync	RW	5: Monosync and Bisync Modes
CMR15	TxSubMode	TxMode=5	1=send CRC on Tx Underrun	RW	
CMR14			0=send closing/idle SYNs from TSR15-8; 1=send closing/idle SYN0/SYN1 (TSR7-0/15-8)		
CMR13			1=send Preamble before opening Sync		
CMR12			0=send 8-bit Syncs; 1=send Syncs per TxLength		
CMR3-0	RxMode		0101=5=Bisync	RW	
CMR5	RxSubMode	RxMode=5	1=strip received Syncs; 0=include them in RxFIFO and CRC calculation	RW	
CMR4			0=expect 8-bit Syncs; 1=expect Syncs per RxLength		
CMR11-8	TxMode		0110=6=HDLC/SDLC	RW	5: HDLC/SDLC Mode
CMR7-4	RxSubMode	RxMode=6	xx00=no Address or Control field handling; xx01=1-byte Address only; x010=1-byte Address, 1-byte Control; x110=1-byte Address, 2-byte Control; 0011=Extended Address, 1-byte Control; 0111=Extended Address, 2-byte Control; 1011=Extended Address, Control >= 2 bytes; 1111=Extended Address, Control >= 3 bytes	RW	
CMR11-8	TxMode		0111=7=Transparent Bisync	RW	5: Transparent Bisync Mode
CMR15	TxSubMode	TxMode=7	1=send CRC on Tx Underrun	RW	
CMR14			0=send closing/idle SYNs; 1=send closing/idle DLE-SYNs		
CMR13			1=send Preamble before opening DLE-SYN		
CMR12			0=send ASCII control characters; 1=send EBCDIC		
CMR3-0	RxMode		0111=7=Transparent Bisync	RW	
CMR4	RxSubMode	RxMode=7	0=look for ASCII control characters; 1=look for EBCDIC	RW	
CMR11-8	TxMode		1000=8=Nine Bit	RW	5: Nine Bit Mode
CMR15	TxSubMode	TxMode=8	0=send 9th bit 0 (data); 1=send 9th bit 1 (address)	RW	
CMR14			0=send eight data bits; 1=send seven data bits plus parity		
CMR13-12			00=16 TxCLKs/Tx bit; 01=32 TxCLKs/Tx bit; 10=64 TxCLKs/Tx bit		
CMR3-0	RxMode		1000=8=Nine Bit	RW	
CMR5-4	RxSubMode	RxMode=8	00=16 RxCLKs/Rx bit; 01=32 RxCLKs/Rx bit; 10=64 RxCLKs/Rx bit	RW	

Channel Mode Register (CMR) (Continued)

Because the content of the SubMode fields depends on the Mode fields, the following descriptions are grouped by mode. TxSubMode and RxSubMode bits that are not shown for a particular Mode value are Reserved in that mode and should be programmed with zeros.

Bit(s)	Field/Bit Name	Conditions /Context	Description	RW Status	Ref Chapter: Section
CMR11-8	TxMode		1001=9=802.3 (Ethernet)	RW	5: 802.3 (Ethernet) Mode
CMR15	TxSubMode	TxMode=9	1=send CRC on Tx Underrun	RW	
CMR3-0	RxMode		1001=9=802.3 (Ethernet)	RW	
CMR4	RxSubMode	RxMode=9	0=receive all frames; 1=match 16-bit Destination Address vs RSR	RW	
CMR11-8	TxMode		101x=10-11=Reserved		
CMR3-0	RxMode				
CMR11-8	TxMode		1100=12=Slaved Monosync	RW	5: 802.3 (Ethernet) Mode
CMR15	TxSubMode	TxMode =12	1=send CRC on Tx Underrun	RW	
CMR13			0=do not send (stop sending at EOM); 1=send a(nother) message		
CMR12			0=send 8-bit Syncs; 1=send Syncs per TxLength		
CMR3-0	RxMode		1100=12=Reserved (use RxMode=0100=4=Monosync, with TxMode=1100=12)		
CMR11-8	TxMode		1101=13=Reserved		
CMR3-0	RxMode				
CMR11-8	TxMode		1110=14=HDLC/SDLC Loop	RW	5: HDLC/SDLC Loop Mode
CMR15-14	TxSubMode	TxMode =14	00=send 7-bit Abort on Tx Underrun; 01=send 15-bit Abort; 10=send Flag; 11=send CRC then Flag	RW	
CMR13			(initially) 0=Transmit disabled; 1=insert into loop; (once inserted) 0=repeat Rx to Tx; 1=send	RW	
CMR12			1=consecutive idle Flags share a 0 (1111110111111...); 0=(1111110011111...)	RW	
CMR3-0	RxMode		1110=14=Reserved (use RxMode=0110=6=HDLC/SDLC, with TxMode=1110=14)		
CMR11-8	TxMode		1111=15=Reserved		
CMR3-0	RxMode				

RW = Read/Write, RO = Read Only, WO = Write Only – for other codes see p. 8-10.

Clock Mode Control Register (CMCR)

Register Address 0 b 01000

CTR1Src	CTR0Src	BRG1Src	BRG0Src	DPLLSrc	TxCLKSrc	RxCLKSrc									
15	14	13	12	11	10	9	8	7	6	5	4	3	2	1	0

Bit(s)	Field/Bit Name	Conditions /Context	Description	RW Status	Ref Chapter: Section
CMCR15-14	CTR1Src		00=CTR1 disabled; 10=/RxC pin; 11=/TxC pin	RW	4: Tx and Rx Clocking; CTR0 and CTR1
CMCR13-12	CTR0Src		00=CTR0 disabled; 10=/RxC pin; 11=/TxC pin		
CMCR11-10	BRG1Src		00=BRG1 input is CTR0 output; 01=CTR1 output; 10=/RxC pin; 11=/TxC pin		4: Tx and Rx Clocking; The Baud Rate Generators
CMCR9-8	BRG0Src		00=BRG0 input is CTR0 output or; 01=CTR1 output; 10=/RxC pin; 11=/TxC pin		4: Tx and Rx Clocking; Introduction to the DPLL
CMCR7-6	DPLLSrc		00=DPLL input is BRG0 output; 01=BRG1 output; 10=/RxC pin; 11=/TxC pin		4: Tx and Rx Clocking; TxCLK and RxCLK Selection
CMCR5-3	TxCLKSrc		000=no TxCLK (Transmit disabled); 001=TxCLK is /RxC; 010=/TxC; 011=DPLL Tx output; 100=BRG0 output; 101=BRG1 output; 110=CTR0 output; 111=TxCLK is CTR1 output		
CMCR2-0	RxCLKSrc		000=no RxCLK (Receive disabled); 001=RxCLK is /RxC; 010=/TxC; 011=DPLL Rx output; 100=BRG0 output; 101=BRG1 output; 110=CTR0 output; 111=RxCLK is CTR1 output		

RW = Read/Write, RO = Read Only, WO = Write Only – for other codes see p. 8-10.

Daisy Chain Control Register (DCCR)

Register Address 0 b 01101

IUS Op (WO)	RS IUS	RD IUS	TS IUS	TD IUS	IOP IUS	Misc IUS	IP Op (WO)	RS IP	RD IP	TS IP	TD IP	IOP IP	Misc IP		
15	14	13	12	11	10	9	8	7	6	5	4	3	2	1	0

Bit(s)	Field/Bit Name	Conditions /Context	Description	RW Status	Ref Chapter: Section
DCCR15-14	IUS Op	Write	0x=no operation; 10=clear IUS bits selected by 1s in DCCR13-8; 11=set IUS bits selected by 1s in DCCR13-8	WO	7: Interrupt Pending and Under Service Bits
DCCR13	RS IUS	Read	1=Receive Status interrupt under service	RO	7: Interrupt Pending and Under Service Bits 7: Rx Status Interrupt Sources and IA Bits
		Write	1=set or clear Receive Status IUS per IUS Op; 0=no change	WO	
DCCR12	RD IUS	Read	1=Receive Data interrupt under service	RO	7: Interrupt Pending and Under Service Bits 7: Rx Data Interrupts
		Write	1=set or clear Receive Data IUS per IUS Op; 0=no change	WO	
DCCR11	TS IUS	Read	1=Transmit Status interrupt under service	RO	7: Interrupt Pending and Under Service Bits 7: Tx Status Interrupt Sources and IA Bits
		Write	1=set or clear Transmit Status IUS per IUS Op; 0=no change	WO	
DCCR10	TD IUS	Read	1=Transmit Data interrupt under service	RO	7: Interrupt Pending and Under Service Bits 7: Transmit Data Interrupts
		Write	1=set or clear Transmit Data IUS per IUS Op; 0=no change	WO	
DCCR9	IOP IUS	Read	1=I/O Pin interrupt under service	RO	7: Interrupt Pending and Under Service Bits 7: I/O Pin Interrupt Sources and IA Bits
		Write	1=set or clear I/O Pin IUS per IUS Op; 0=no change	WO	
DCCR8	Misc IUS	Read	1=Miscellaneous interrupt under service	RO	7: Interrupt Pending and Under Service Bits 7: Miscellaneous Interrupt Sources and IA Bits
		Write	1=set or clear Miscellaneous per IUS Op; 0=no change	WO	
DCCR7-6	IP Op	Write	00=no operation; 01=clear IP and IUS bits sel by 1s in DCCR5-0; 10=clear IP bits selected by 1s in DCCR5-0; 11=set IP bits selected by 1s in DCCR5-0	WO	7: Interrupt Pending and Under Service Bits
DCCR5	RS IP	Read	1=Receive Status interrupt pending	RO	7: Interrupt Pending and Under Service Bits 7: Rx Status Interrupt Sources and IA Bits
		Write	1=set or clear Receive Status IP/IUS per IP Op; 0=no change	WO	
DCCR4	RD IP	Read	1=Receive Data interrupt pending	RO	7: Interrupt Pending and Under Service Bits 7: Rx Data Interrupts
		Write	1=set or clear Receive Data IP/IUS per IP Op; 0=no change	WO	
DCCR3	TS IP	Read	1=Transmit Status interrupt pending	RO	7: Interrupt Pending and Under Service Bits 7: Tx Status Interrupt Sources & IA Bits
		Write	1=set or clear Transmit Status IP/IUS per IP Op; 0=no change	WO	
DCCR2	TD IP	Read	1=Transmit Data interrupt pending	RO	7: Interrupt Pending and Under Service Bits 7: Transmit Data Interrupts
		Write	1=set or clear Transmit Data IP/IUS per IP Op; 0=no change	WO	
DCCR1	IOP IP	Read	1=I/O Pin interrupt pending	RO	7: Interrupt Pending and Under Service Bits 7: I/O Pin Interrupt Sources & IA Bits
		Write	1=set or clear I/O Pin IP/IUS per IP Op; 0=no change	WO	
DCCR0	Misc IP	Read	1=Miscellaneous interrupt pending	RO	7: Interrupt Pending and Under Service Bits 7: Miscellaneous Interrupt Sources and IA Bits
		Write	1=set or clear Miscellaneous IP/IUS per IP Op; 0=no change	WO	

RW = Read/Write, RO = Read Only, WO = Write Only – for other codes see p. 8-10.

Hardware Configuration Register (HCR)

Register Address 0 b 01001

CTR0Div	CTR1 DSel	CVOK	DPLLDiv	DPLLMoDe	TxAMode	BRG1S	BRG1E	RxAMode	BRG0S	BRG0E					
15	14	13	12	11	10	9	8	7	6	5	4	3	2	1	0

Bit(s)	Field/Bit Name	Conditions /Context	Description	RW Status	Ref Chapter: Section
HCR15-14	CTR0Div		00=CTR0 divides by 32; 01/16; 10=8; 11=4	RW	4: Tx and Rx Clocking CTR0 and CTR1
HCR13	CTR1DSel		0=CTR0Div determines CTR1 divisor; 1=DPLLDiv determines CTR1 divisor		
HCR12	CVOK	Biphase	1=don't report single code violations		4: More About the DPLL
HCR11-10	DPLLDiv		00=DPLL divides by 32; 01=16; 10=8; 11=do not use for DPLL (/4 for CTR1)		4: Tx and Rx Clocking; Introduction to the DPLL
HCR9-8	DPLLMoDe		00=disable DPLL; 01=run DPLL for NRZ modes; 10=run DPLL for Biphase-Mark or -Space; 11=run DPLL for either Biphase-Level mode		4: More About the DPLL
HCR7-6	TxAMode		00=/TxACK pin is a general-purpose input; 01=/TxACK is a Tx DMA Acknowledge input; 10=drive /TxACK Low; 11=drive /TxACK High		4: The /TxACK and /RxACK Pins
HCR5	BRG1S		1=BRG1 single cycle mode; 0=continuous		4: Tx and Rx Clocking The Baud Rate Generators
HCR4	BRG1E		1=enable BRG1		
HCR3-2	RxAMode		00=/RxACK pin is a general-purpose input; 01=/RxACK is a Rx DMA Acknowledge input; 10=drive /RxACK Low; 11=drive /RxACK High		4: The /TxACK and /RxACK Pins
HCR1	BRG0S		1=BRG0 single cycle mode; 0=continuous		4: Tx and Rx Clocking The Baud Rate Generators
HCR0	BRG0E		1=enable BRG0		

RW = Read/Write, RO = Read Only, WO = Write Only – for other codes see p. 8-10.

Input/Output Control Register (IOCR)

Register Address 0 b 01011

CTSMoDe		DCDMoDe		TxRMoDe		RxRMoDe		TxDMoDe		TxCMoDe		RxCMoDe			
15	14	13	12	11	10	9	8	7	6	5	4	3	2	1	0

Bit(s)	Field/Bit Name	Conditions /Context	Description	RW Status	Ref Chapter: Section
IOCR15-14	CTSMoDe		0x=/CTS pin is low-active Clear To Send input; 10=drive /CTS Low; 11=drive /CTS High	RW	4: The /CTS Pin
IOCR13-12	DCDMoDe		00=/DCD is low-active Rx Carrier Detect input; 01=/DCD is low-active Rx Sync Detect input; 10=drive /DCD Low; 11=drive /DCD High		4: The /DCD Pin
IOCR11-10	TxRMoDe		00=/TxREQ pin is an input; 01=drive /TxREQ with Transmit DMA Request; 10=drive /TxREQ Low; 11=drive /TxREQ High		4: The /RxREQ and /TxREQ Pins
IOCR9-8	RxRMoDe		00=/RxREQ pin is an input; 01=drive /RxREQ with Receive DMA Request; 10=drive /RxREQ Low; 11=drive /RxREQ High		
IOCR7-6	TxDMoDe		00=drive /TxD with Transmitter output; 01=release /TxD to high impedance; 10=drive /TxD Low; 11=drive /TxD High		4: The /RxD and /TxD Pins
IOCR5-3	TxCMoDe		000=/TxC pin is an input; 001=drive /TxC with TxCLK; 010=drive /TxC with Transmit char clock; 011=drive /TxC with Transmit Complete; 100=drive /TxC with output of BRG0; 101=drive /TxC with output of BRG1; 110=drive /TxC with output of CTR1; 111=drive /TxC with Tx output of DPLL		4: The /RxD and /TxD Pins
IOCR2-0	RxCMoDe		000=/RxC pin is an input; 001=drive /RxC with RxCLK; 010=drive /RxC with Receive char clock; 011=drive /RxC with /RxSYNC; 100=drive /RxC with output of BRG0; 101=drive /RxC with output of BRG1; 110=drive /RxC with output of CTR0; 111=drive /RxC with Rx output of DPLL		

RW = Read/Write, RO = Read Only, WO = Write Only – for other codes see p. 8-10.

Interrupt Control Register (ICR)

Register Address 0 0 b 01100

MIE	DLC	NV	VIS			Rsrvd	IE Op (WO)	RS IE	RD IE	TS IE	TD IE	IOP IE	Misc IE		
15	14	13	12	11	10	9	8	7	6	5	4	3	2	1	0

Bit(s)	Field/Bit Name	Conditions /Context	Description	RW Status	Ref Chapter: Section
ICR15	MIE		1=enable interrupts from this serial controller	RW	7: Channel Interrupt Options
ICR14	DLC		1=disable Interrupt Enable Out (IEO)	RW	
ICR13	NV		1=don't return a vector during /INTACK cycle	RW	
ICR12-9	VIS		0xxx=interrupt vectors never include status; 100x=interrupt vectors always include status; 1010=vectors include status except for Misc; 1011=vectors include status only for TD, TS, RD and RS; 1100=vectors include status only for TS, RD, and RS; 1101=vectors include status only for RD and RS; 1110=vectors include status only for RS; 1111=interrupt vectors never include status	RW	
ICR7-6	IE Op	Write	0x=no operation; 10=clear the IE bits selected by 1s in ICR5-0; 11=set the IE bits selected by 1s in ICR5-0	WO	7: Interrupt Enable Bits
ICR5	RS IE	Read	1=Receive Status interrupt enabled	RO	
		Write	1=set or clear Receive Status IE per IE Op; 0=no change	WO	
ICR4	RD IE	Read	1=Receive Data interrupt enabled	RO	
		Write	1=set or clear Receive Data IE per IE Op; 0=no change	WO	
ICR3	TS IE	Read	1=Transmit Status interrupt enabled	RO	
		Write	1=set or clear Transmit Status IE per IE Op; 0=no change	WO	
ICR2	TD IE	Read	1=Transmit Data interrupt enabled	RO	
		Write	1=set or clear Transmit Data IE per IE Op; 0=no change	WO	
ICR1	IOP IE	Read	1=I/O Pin interrupt enabled	RO	
		Write	1=set or clear I/O Pin IE per IE Op; 0=no change	WO	
ICR0	Misc IE	Read	1=Miscellaneous interrupt enabled	RO	
		Write	1=set or clear Miscellaneous IE per IE Op; 0=no change	WO	

RW = Read/Write, RO = Read Only, WO = Write Only – for other codes see p. 8-10.

Interrupt Vector Register (IVR)

Register Address 0 b 01010

Interrupt Vector7-4 (RO)				Type Code (RO)				IV0 (RO)	Interrupt Vector (RW)						
15	14	13	12	11	10	9	8	7	6	5	4	3	2	1	0

Bit(s)	Field/Bit Name	Conditions /Context	Description	RW Status	Ref Chapter: Section
IVR15-12		Read IVR15-8, or IACK w/ highest pending type enabled by ICR12-9	as software wrote IVR7-4	RO	7: Interrupt Vectors
IVR11-9	TypeCode		highest pending interrupt type; 000=no interrupt type pending; 001=Misc; 101=/O Pin; 011=Transmit Data; 100=Transmit Status; 101=Receive Data; 110=Receive Status	RO	
IVR8			as software wrote IVR0	RO	
IVR7-0			Read/Write IVR7-0, or IACK w/ highest pending type blocked by ICR12-9	basic 8-bit interrupt vector (reads back as software wrote it)	

RW = Read/Write, RO = Read Only, WO = Write Only – for other codes see p. 8-10.

Miscellaneous Interrupt Status Register (MISR)

Register Address 0 b 01110

RxCL/U	/RxC	TxCL/U	/TxC	RxRL/U	/RxR	TxRL/U	/TxR	DCDL/U	/DCD	CTSL/U	/CTS	RCC Under L/U	DPLL DSync L/U	BRG1 L/U	BRG0 L/U
15	14	13	12	11	10	9	8	7	6	5	4	3	2	1	0

Bit(s)	Field/Bit Name	Conditions /Context	Description	RW Status	Ref Chapter: Section
MISR15	RxCL/U	Read	1=one or more transition(s) enabled by SICR15-14 has (have) occurred on the /RxC pin	R,W1U	4: The /RxC and /TxC Pins
		Write	1=open the latches for /RxC and for this bit		
MISR14	/RxC	RxCL/U=1	1=the (first such) enabled transition was a rising edge; 0=it was a falling edge	RO	
		RxCL/U=0	1=the /RxC pin is low; 0=it's high		
MISR13	TxCL/U	Read	1=one or more transition(s) enabled by SICR13-12 has (have) occurred on the /TxC pin	R,W1U	
		Write	1=open the latches for /TxC and for this bit		
MISR12	/TxC	TxCL/U=1	1=the (first such) enabled transition was a rising edge; 0=it was a falling edge	RO	
		TxCL/U=0	1=the /TxC pin is low; 0=it's high		
MISR11	RxRL/U	Read	1=one or more transition(s) enabled by SICR11-10 has (have) occurred on the /RxREQ pin	R,W1U	4: The /RxREQ and /TxREQ pins
		Write	1=open the latches for /RxR and for this bit		
MISR10	/RxR	RxRL/U=1	1=the (first such) enabled transition was a rising edge; 0=it was a falling edge	RO	
		RxRL/U=0	1=the /RxREQ pin is low; 0=it's high		
MISR9	TxRL/U	Read	1=one or more transition(s) enabled by SICR9-8 has (have) occurred on the /TxREQ pin	R,W1U	
		Write	1=open the latches for /TxR and for this bit		
MISR8	/TxR	TxRL/U=1	1=the (first such) enabled transition was a rising edge; 0=it was a falling edge	RO	
		TxRL/U=0	1=the /TxREQ pin is low; 0=it's high		
MISR7	DCDL/U	Read	1=one or more transition(s) enabled by SICR7-6 has (have) occurred on the /DCD pin	R,W1U	4: The /DCD Pin
		Write	1=open the latches for /TxR and for this bit		
MISR6	/DCD	DCDL/U	1=the (first such) enabled transition was a rising edge; 0=it was a falling edge	RO	
		DCDL/U=0	1=the /DCD pin is low; 0=it's high		
MISR5	CTSL/U	Read	1=one or more transition(s) enabled by SICR5-4 has (have) occurred on the /CTS pin	R,W1U	4: The /CTS Pin
		Write	1=open the latches for /CTS and for this bit		
MISR4	/CTS	CTSL/U=1	1=the (first such) enabled transition was a rising edge; 0=it was a falling edge	RO	
		CTSL/U=0	1=the /CTS pin is low; 0=it's high		
MISR3	RCC Under L/U		1=RCC FIFO has counted down past 0 (Receive frame/message longer than max allowed)	R,W1U	5: DMA Support Features: The RCC FIFO
MISR2	DPLL DSync L/U		1=DPLL has lost sync	R,W1U	4: More About the DPLL 7: Miscellaneous Interrupt Sources and IA Bits
MISR1	BRG1 L/U		1=BRG1 has counted down to 0	R,W1U	4: Tx and Rx Clocking: The Baud Rate Generators
MISR0	BRG0 L/U		1=BRG0 has counted down to 0	R,W1U	

Receive Character Count Register (RCCR)

Register Address 0 b 10110

Ending count of oldest received frame/message in RCC FIFO															
---	--	--	--	--	--	--	--	--	--	--	--	--	--	--	--

15 14 13 12 11 10 9 8 7 6 5 4 3 2 1 0

Bit(s)	Field/Bit Name	Conditions /Context	Description	RW Status	Ref Chapter: Section
RCCR15-0		RCCAvail (CCSR14) =1	Final RCC value of oldest received frame/ message in the RCC FIFO	RW	5: DMA Support Features: The RCC FIFO

RW = Read/Write, RO = Read Only, WO = Write Only – for other codes see p. 8-10.

Receive Command/Status Register (RCSR)

Register Address 1 0 b 10010

Rcmd (WO)				RxResidue	ShortF/ CVType	Exited Hunt	Idle Rcvd	Break /Abort	Rx Bound	CRCE /FE	Abort /PE	Rx Over	Rx Avail		
2ndBE	1stBE														
15	14	13	12	11	10	9	8	7	6	5	4	3	2	1	0

Bit(s)	Field/Bit Name	Conditions /Context	Description	RW Status	Ref Chapter: Section
RCSR15-12	RCmd	Sync	0000=no operation; 0001=Reserved; 0010=Clear Receive CRC Generator; 0011=Enter Hunt Mode; 0100=Reserved; 0101=Select RICRHi=RxFIFO Status; 0110=Select RICRHi=/INT Level; 0111=Select RICRHi=/RxREQ Level; 1xxx=Reserved	WO	5: Commands
RCSR15	2ndBE	Last RDR read was 16 bits	1=2nd-oldest byte in Rx FIFO had RxBound, PE, or RxOver when RDR was last read	RO	5: Status Reporting: Detailed Status in the RCSR
RCSR14	1stBE		1=oldest byte in Rx FIFO had RxBound, PE, or RxOver when RDR was last read	RO	
RCSR11-19	RxResidue	H/SDLC	000=frame ended at character boundary; 001-111=number of extra bits at end	RO	5: HDLC/SDLC Mode: Frame Length Residuals
RCSR8	ShortF/ CVType	H/SDLC, CMR7-4 not xx00	1=received frame ended before Address/Control fields (see Note 1)	R,W1U or RO	5: Status Reporting: Detailed Status in the RCSR
		ACV (1553B)	0=received Data word; 1=received Command/Status word (see Note 1)		
RCSR7	ExitedHunt		1=receiver has left Hunt mode	R,W1U	
RCSR6	IdleRcvd		1=15 or 16 ones received	R,W1U	
RCSR5	Break/Abort	Async	1=Break received	R,W1U	
		H/SDLC	1=Abort received		
RCSR4	RxBound	Nine Bit	1=address character (see Note 2)	R,W1C or RO	
		ACV (1553B)	1=2nd (or only) byte of word (see Note 2)		
		Ext Sync, T. Bisync	1=end of message (see Note 2)		
		HDLC/SDLC 802.3	1=end of frame (see Note 2)		
RCSR3	CRCE/FE	Sync	1=CRC not correct (at this point; see Note 1)	RO	
		Async	1=framing error (Stop bit = zero/space; see Note 1)		
RCSR2	Abort/PE	QAbort (RMR8)=0	1=parity error (see Note 2)	R,W1C or RO	
		H/SDLC, QAbort=1	1=Abort followed this character (see Note 2)		
RCSR1	RxOver		1=Rx FIFO overflow (see Note 2)	R,W1C RO??	
RCSR0	RxAvail		1=Rx FIFO is not empty	RO	

Note 1: The USC carries these bits through the Rx FIFO with data characters; they may represent the status of the oldest character or two currently in the FIFO, or of the last one or two read from it, as described in the referenced Chapter/Section.

Note 2: The USC carries these bits through the Rx FIFO with data characters; they may represent the status of the oldest character or two currently in the FIFO, of the last one or two read from it, or may be a cumulative/latched bit, as described in the referenced Chapter/Section.

Receive Count Limit Register (RCLR)**Register Address 0 b 10101**

Starting value for Receive Character Counter															
15	14	13	12	11	10	9	8	7	6	5	4	3	2	1	0

Bit(s)	Field/Bit Name	Conditions /Context	Description	RW Status	Ref Chapter: Section
RCLR15-0			Starting value for RCC: 0=disable RCC; FFFF=enable RCC, no set max frame/message length; else maximum allowed length	RW	5: DMA Support Features: The Character Counters

Receive Data Register (RDR)**Register Address 0 b 1x000 or 1 b xxxxx**

Received character: read only using 16-bit operation								Received character: 8- or 16-bit read							
15	14	13	12	11	10	9	8	7	6	5	4	3	2	1	0

Bit(s)	Field/Bit Name	Conditions /Context	Description	RW Status	Ref Chapter: Section
RDR15-8		16-bit bus	The "other" received character in a 16-bit read (may be the oldest or 2nd-oldest per "Select D15-8 First" or "Select D7-0 First" commands in RTCmd [CCAR15-11])	RO	5: The Data Registers and the FIFOs
RDR7-0			Received character		

RW = Read/Write, RO = Read Only, WO = Write Only – for other codes see p. 8-10.

Receive Interrupt Control Register (RICR)

Register Address 0 b 10011

"RxFIFO Status" if last RCSR15-12 command 4-7 was 5 "Rx Int level" if last RCSR15-12 command 4-7 was 6 "RxREQ level" if last RCSR15-12 command 4-7 was 7							Exited Hunt IA	Idle Rcvd IA	Break/ Abort IA	Rx Bound IA	Word Status	Abort /PE IA	RxOver IA	TCOR Sel	
15	14	13	12	11	10	9	8	7	6	5	4	3	2	1	0

Bit(s)	Field/Bit Name	Conditions /Context	Description	RW Status	Ref Chapter: Section
RICR15-8		5 written to RCmd (RCSR15-12) or Reset since 6 or 7 written to RCmd	the number of characters/bytes/octets currently in the RxFIFO	RW	5: The Data Registers and the FIFOs
RICR15-8		6 written to RCmd (RCSR15-12) since 5 or 7 written to RCmd	number of characters/bytes/octets in the RxFIFO, above which to request a Receive Data interrupt	RO	7: Receive Data interrupts
RICR15-8		7 written to RCmd (RCSR15-12) since 5 or 6 written to RCmd	number of characters/bytes/octets in the RxFIFO, above which to request a Receive DMA transfer	RW	6: DMA Requests by the Receiver and Transmitter
RICR7	ExitedHunt IA		1=arm interrupts on ExitedHunt (RCSR7)	RW	7: Receive Status Interrupt Sources and IA Bits
RICR6	IdleRcvdIA		1=arm interrupts on IdleRcvd (RCSR6)	RW	
RICR5	Break/Abort IA		1=arm interrupts on Break/Abort (RCSR5)	RW	
RICR4	RxBound IA		1=arm interrupts on RxBound (RCSR4)	RW	
RICR3	WordStatus		0="queued" status in RCSR reflects oldest character in RxFIFO; 1=two oldest characters	RW	5: Status Reporting
RICR2	Abort/PE IA		1=arm interrupts on Abort/PE (RCSR2)	RW	7: Receive Status Interrupt Sources & IA Bits
RICR1	RxOver IA		1=arm interrupts on RxOver (RCSR1)	RW	
RICR0	TCOR Sel		0=select Time Constant value for reading TCOR; 1=capture current count for reading TCOR	RW	4: Tx and Rx Clocking: The Baud Rate Generators

RW = Read/Write, RO = Read Only, WO = Write Only – for other codes see p. 8-10.

Receive Mode Register (RMR)

Register Address 0 b 10001

RxDecode	RxCRCType	RxCRC Start	RxCRC Enab	QAbort	RxParType	RxPar Enab	RxLength	RxEnable							
15	14	13	12	11	10	9	8	7	6	5	4	3	2	1	0

Bit(s)	Field/Bit Name	Conditions /Context	Description	RW Status	Ref Chapter: Section
RMR15-13	RxDecode		000=RxD not encoded ("NRZ"); 001=invert polarity of RxD ("NRZB"); 010=decode RxD NRZI-Mark; 011=decode RxD NRZI-Space; 100=decode RxD Biphase-Mark (FM1); 101=decode RxD Biphase-Space (FM0); 110=decode RxD Biphase-Level (Manchester); 111=decode RxD Differential Biphase-Level	RW	4: Data Formats and Encoding
RMR12-11	RxCRCType	Sync	00=use 16-bit CRC-CCITT for Rx; 01=use CRC-16 for Rx; 10=use 32-bit Ethernet CRC for Rx		5: Cyclic Redundancy Checking
RMR10	RxCRCStart	Sync	0=start Receive CRC generator as all-zeros; 1=all ones		
RMR9	RxCRCEnab	Sync	1=include Receive characters in CRC		
RMR8	QAbort	HDLC/SDLC	0=use Abort/PE bit in Rx FIFO, RCSR2 for Abort indication; 1=use it for Parity Error indication		5: Status Reporting: Detailed Status in RCSR 5: HDLC/SDLC: Handling a Received Abort
RMR7-6	RxParType		00=Receive Parity Even; 01=Odd; 10=Zero (Space); 11=One (Mark)		5: Parity Checking
RMR5	RxParEnab		1=accumulate and check Parity bits		
RMR4-2	RxLength		000=receive eight bit characters; 001-111=receive 1-7 bit characters		5: The Mode Registers: Character Length
RMR1-0	RxEnable		00=disable Receiver (immediately); 01=disable Rx at end of message/frame/char; 10=enable Rx unconditionally; 11=auto-enable Rx per /DCD pin		

Receive Sync Register (RSR)

Register Address 0 b 10100

Receive Sync, SYN1, or 9th-16th bits of Ethernet address	Receive SYN0 or 1st-8th bits of address														
15	14	13	12	11	10	9	8	7	6	5	4	3	2	1	0

Bit(s)	Field/Bit Name	Conditions /Context	Description	RW Status	Ref Chapter: Section
RSR15-8		Monosync	Receive Sync match character	WR	5: Monosync and Bisync Modes
		Bisync	second half of Receive sync match (SYN1)		
		802.3	match against last-received 8 bits of address		5: 802.3 (Ethernet) Mode
RSR7-0		Bisync	first half of Receive sync match (SYN0)		5: Monosync and Bisync Modes
		H/SDLC, (CMR7-4) not xx00, or 802.3	match against first-received 8 bits of address		5: HDLC/SDLC Mode 5: 802.3 (Ethernet) Mode

UM009402-0201

Status Interrupt Control Register (SICR)

Register Address 0 b 01111

RxCdN IA	RxCUp IA	TxCdN IA	TxCUp IA	RxRDn IA	RxRUp IA	TxRDn IA	TxRUp IA	DCDDn IA	DCDUp IA	CTSDn IA	CTSup IA	RCC Under IA	DPLL DSync IA	BRG1 IA	BRG0 IA
15	14	13	12	11	10	9	8	7	6	5	4	3	2	1	0

Bit(s)	Field/Bit Name	Conditions /Context	Description	RW Status	Ref Chapter: Section
SICR15	RxCdN IA		1=set MISR15/interrupt on fall of /RxC	RW	4: The /RxC and /TxC Pins
SICR14	RxCUp IA		1=set MISR15/interrupt on rise of /RxC		
SICR13	TxCdN IA		1=set MISR13/interrupt on fall of /TxC		
SICR12	TxCUp IA		1=set MISR13/interrupt on rise of /TxC		
SICR11	RxRDn IA		1=set MISR11/interrupt on fall of /RxREQ		4: /RxREQ and /TxREQ Pins
SICR10	RxRUp IA		1=set MISR11/interrupt on rise of /RxREQ		
SICR9	TxRDn IA		1=set MISR9/interrupt on fall of /TxREQ		
SICR8	TxRUp IA		1=set MISR9/interrupt on rise of /TxREQ		
SICR7	DCDDn IA		1=set MISR7/interrupt on fall of /DCD		4: The /DCD Pin
SICR6	DCDUp IA		1=set MISR7/interrupt on rise of /DCD		
SICR5	CTSDn IA		1=set MISR5/interrupt on fall of /CTS		4: The /CTS Pin
SICR4	CTSup IA		1=set MISR5/interrupt on rise of /CTS		
SICR3	RCC Under IA	RCC used	1=interrupt on RCC undflow (Receive frame/message longer than max allowed)		5: DMA Support Features: The RCC FIFO
SICR2	DPLLDSync IA	Biphase	1=interrupt on DPLL sync loss		
SICR1	BRG1 IA		1=interrupt on BRG1 zero		4: Tx and Rx Clocking: The Baud Rate Generators
SICR0	BRG0 IA		1=interrupt on BRG0 zero		

Test Mode Control Register (TMCR)

Register Address 0 b 00111

Reserved (0)											Test Register Address				
15	14	13	12	11	10	9	8	7	6	5	4	3	2	1	0

Bit(s)	Field/Bit Name	Conditions /Context	Description	RW Status	Ref Chapter: Section
TMCR4-0			Address of test register to read and write in TMDR	RW	8: Test Modes

RW = Read/Write, RO = Read Only, WO = Write Only – for other codes see p. 8-10.

Test Mode Data Register (TMDR)**Register Address 0 b 00100**

Test Register selected by TMCR4-0															
-----------------------------------	--	--	--	--	--	--	--	--	--	--	--	--	--	--	--

15 14 13 12 11 10 9 8 7 6 5 4 3 2 1 0

Bit(s)	Field/Bit Name	Conditions /Context	Description	RW Status	Ref Chapter: Section
TMDR15-0			Test register selected by TMCR4-0	RO or WO	8: Test Modes

Test Constant 0 Register (TC0R)**Register Address 0 b 10111**

Divisor for (or current count in) Baud Rate Generator 0															
---	--	--	--	--	--	--	--	--	--	--	--	--	--	--	--

15 14 13 12 11 10 9 8 7 6 5 4 3 2 1 0

Bit(s)	Field/Bit Name	Conditions /Context	Description	RW Status	Ref Chapter: Section
TC0R15-0		Write, or Read w/ TC0RSel (RICR0)=0	divisor/starting value for BRG0: 0=input=output; 1=divide by 2; n=divide by n+1	RW	5: DMA Support Features: The Character Counters
		Read w/ TC0RSel (RICR0)=1	Value of BRG0 counter last time TC0RSel:=1	RO	

Test Constant 1 Register (TC1R)**Register Address 0 b 11111**

Divisor for (or current count in) Baud Rate Generator 1															
---	--	--	--	--	--	--	--	--	--	--	--	--	--	--	--

15 14 13 12 11 10 9 8 7 6 5 4 3 2 1 0

Bit(s)	Field/Bit Name	Conditions /Context	Description	RW Status	Ref Chapter: Section
TC1R15-0		Write, or Read w/ TC1RSel (TICR0)=0	divisor/starting value for BRG1: 0=input=output; 1=divide by 2; n=divide by n+1	RW	5: DMA Support Features: The Character Counters
		Read w/ TC1RSel (TICR0)=1	Value of BRG1 counter last time TC1RSel:=1	RO	

RW = Read/Write, RO = Read Only, WO = Write Only – for other codes see p. 8-10.

Transmit Character Count Register (TCCR)

Register Address 0 b 11110



Bit(s)	Field/Bit Name	Conditions /Context	Description	RW Status	Ref Chapter: Section
TCCR15-0			0=TCC disabled; else number of bytes (left) to send in current/next Transmit frame/message	RO	5: DMA Support Features: The Character Counters

RW = Read/Write, RO = Read Only, WO = Write Only – for other codes see p. 8-10.

Transmit Command/Status Register (TCSR)

Register Address 0 b 11010

TCmd			Under Wait	TxIdle		Pre Sent	Idle Sent	Abort Sent	EOF/EOM Sent	CRC Sent	All Sent	Tx Under	Tx Empty		
15	14	13	12	11	10	9	8	7	6	5	4	3	2	1	0

Bit(s)	Field/Bit Name	Conditions /Context	Description	RW Status	Ref Chapter: Section
TCSR15-12	TCmd		0000=no operation; 0001=reserved	WO	5: Commands
		Sync	0010=Clear Tx CRC Generator		
			0011, 0100=reserved; 0101=Select TICRH=TxFIFO Status; 0110=Select TICRH=/INT Level; 0111=Select TICRH=/TxREQ Level		
		TICR2=1	1000=Send Frame/Message		
		H/SDLC	1001=Send Abort		
			101x=reserved		
		T.Bisync	1100=Enable DLE Insertion; 1101=Disable DLE Insertion		
	Sync	1110=Clear EOF/EOM; 1111=Set EOF/EOM			
TCSR11	UnderWait	Sync	1=interlock Transmitter from Tx underrun until Send Frame command. Also, if TxCtrlBlk (CCR15-14) is 10 = 32-bit TCBs, delay start of frame transmission until TxFIFO is full or complete frame written to TxFIFO		5: Handling Overruns and Underruns: Tx Underruns
TCSR10-8	TxIdle		Selects the Transmit idle line condition: 000=the default for TxMode (sync/Flag/Mark) 001=alternating zeroes and ones 010=continuous zeroes 011=continuous ones 100=reserved 101=alternating Mark and Space 110=continuous Space (TxD low) 111=continuous Mark (TxD high)	RW	5: Between Messages, Frames, or Characters
TCSR7	PreSent	Sync	1=Transmitter has finished sending Preamble	R,W1U	5: Status Reporting: Detailed Status in the TCSR
TCSR6	IdleSent		1=Transmitter has sent Idle condition		
TCSR5	AbortSent	H/SDLC	1=Transmitter has sent Abort		
TCSR4	EOF/EOM Sent	Sync	1=Transmitter has sent End of Frame/End of Message		
TCSR3	CRCSent	Sync	1=Transmitter has sent a CRC code	RO	
TCSR2	AllSent	Async	1=last bit has gone out onto TxD		
TCSR1	TxUnder		1=Transmitter has Underflowed	R,W1U	
TCSR0	TxEmpty		1=TxFIFO is empty	RO	

Transmit Count Limit Register (TCLR)

Register Address 0 b 11101

Starting value for Transmit Character Counter															
15	14	13	12	11	10	9	8	7	6	5	4	3	2	1	0

Bit(s)	Field/Bit Name	Conditions /Context	Description	RW Status	Ref Chapter: Section
TCLR15-0			Starting value for TCC: 0=disable TCC; else length of next frame/message	RW	5: DMA Support Features: The Character Counters

Transmit Data Register (TDR)

Register Address 0 b 1x000 or 1 b xxxxx

Transmit character: write only using 16-bit operation								Transmit character: 8- or 16-bit write							
15	14	13	12	11	10	9	8	7	6	5	4	3	2	1	0

Bit(s)	Field/Bit Name	Conditions /Context	Description	RW Status	Ref Chapter: Section
TDR15-8		16-bit bus	The "other" Transmit character in a 16-bit write (may be sent 1st or 2nd per "Select D15-8 First" or "Select D7-0 First" command in RTCmd [CCAR15-11])	WO	5: The Data Registers and the FIFOs
TDR7-0			Transmit character		

RW = Read/Write, RO = Read Only, WO = Write Only – for other codes see p. 8-10.

Transmit Interrupt Control Register (TICR)

Register Address 0 b 11011

"TxFIFO Status" if last TCSR15-12 command 4-7 was 5 "Tx/Int level" if last TCSR15-12 command 4-7 was 6 "TxREQ level" if last TCSR15-12 command 4-7 was 7	Pre Sent IA	Idle Sent IA	Abort Sent IA	EOF/EOM Sent IA	CRC Sent IA	Wait2 Send	Tx Under IA	TC1R Sel
--	-------------	--------------	---------------	-----------------	-------------	------------	-------------	----------

15 14 13 12 11 10 9 8 7 6 5 4 3 2 1 0

Bit(s)	Field/Bit Name	Conditions /Context	Description	RW Status	Ref Chapter: Section
TICR15-8		5 written to TCmd (TCSR15-12), or Reset, since 6 or 7 written there	the number of empty character/byte/octet entries currently in the TxFIFO	RO	5: The Data Registers and the FIFOs
TICR15-8		6 written to TCmd (TCSR15-12) since 5 or 7 written there	the number of empty character/byte/octet entries in the TxFIFO, above which to request a Transmit Data Interrupt	RW	7: Transmit Data interrupts
TICR15-8		7 written to TCmd (TCSR15-12) since 5 or 6 written there	the number of empty character/byte/octet entries in the TxFIFO, above which to request Transmit DMA transfer	RW	6: DMA Requests by the Receiver and Transmitter
TICR7	PreSent IA	Sync	1=arm interrupts on Preamble Sent (TCSR7)	RW	7: Transmit Status Interrupt Sources and IA Bits
TICR6	IdleSent IA		1=arm interrupts on IdleSent (TCSR6)		
TICR5	AbortSent IA	H/SDLC	1=arm interrupts on AbortSent (TCSR5)		
TICR4	EOF/EOM Sent IA	Sync	1=arm interrupts on EOF/EOM Sent (TCSR4)		
TICR3	CRCSent IA	Sync	1=arm interrupts on CRCSent (TCSR3)		
TICR2	Wait2Send	Sync	1=hold Transmitter from sending each frame/message until software issues "Send Message/Frame" command	RW	5: Synchronizing Frames/ Messages with Software Response
TICR1	TxUnder IA		1=arm interrupts on TxOver (TCSR1)	RW	7: Transmit Status Interrupt Sources and IA Bits
TICR0	TC1R Sel		0=select Time Constant value for reading TC1R; 1=capture current count for reading TC1R	RW	4: Tx and Rx Clocking: The Baud Rate Generators

RW = Read/Write, RO = Read Only, WO = Write Only – for other codes see p. 8-10.

Transmit Mode Register (TMR)

Register Address 0 b 11001

TxEncode			TxCRCType		TxCRC Start	TxCRC Enab	TxCRC atEnd	TxParType		TxPar Enab	TxLength			TxEnable	
15	14	13	12	11	10	9	8	7	6	5	4	3	2	1	0

Bit(s)	Field/Bit Name	Conditions /Context	Description	RW Status	Ref Chapter: Section
TMR15-13	TxEncode		000=don't encode TxD ("NRZ"); 001=invert polarity of TxD ("NRZB"); 010=encode TxD NRZI-Mark; 011=encode TxD NRZI-Space; 100=encode TxD Biphas-Mark (FM1); 101=encode TxD Biphas-Space (FM0); 110=encode TxD Biphas-Level (Manchester); 111=encode TxD Differential Biphas-Level	RW	4: Data Formats and Encoding
TMR12-11	TxCRCType	Sync	00=use 16-bit CRC-CCITT for Tx; 01=use CRC-16 for Tx; 10=use 32-bit Ethernet CRC for Tx		5: Cyclic Redundancy Checking
TMR10	TxCRCStart	Sync	0=start Transmit CRC generator as all zeros; 1=all ones		
TMR9	TxCRCEnab	Sync	1=include Transmit characters in CRC		
TMR8	TxCRCat End	Sync	1=send accumulated CRC at EOF/EOM		
TMR7-6	TxParType		00=Transmit Parity Even; 01=Odd; 10=Zero (Space); 11=One (Mark)		5: Parity Checking
TMR5	TxParEnab		1=accumulate and send Parity bits		
TMR4-2	TxLength		000=send eight bit characters; 001-111=send 1-7 bit characters		5: The Mode Registers: Character Length
TMR1-0	TxEnable		00=disable Transmitter (immediately); 01=disable Tx at end of message/frame/char; 10=enable Tx unconditionally; 11=auto-enable Tx per /CTS pin		5: The Mode Registers: Enabling and Disabling

Transmit Sync Register (TSR)

Register Address 0 b 11100

Transmit SYN1								Transmit Sync or SYN0							
15	14	13	12	11	10	9	8	7	6	5	4	3	2	1	0

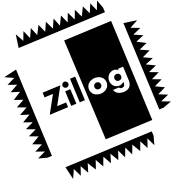
Bit(s)	Field/Bit Name	Conditions /Context	Description	RW Status	Ref Chapter: Section
RSR15-8		Bisync	Second half of Transmit sync (SYN1)	WR	4: Monosync and Bisync Modes 4: Slaved Monosync Mode
RSR7-0		Monosync, Slaved Monosync	Transmit Sync character		
		Bisync	First half of Transmit sync (SYN0)		

RW = Read/Write, RO = Read Only, WO = Write Only – for other codes see p. 8-10.

© 1997 by ZiLog, Inc. All rights reserved. No part of this document may be copied or reproduced in any form or by any means without the prior written consent of ZiLog, Inc. The information in this document is subject to change without notice. Devices sold by ZiLog, Inc. are covered by warranty and patent indemnification provisions appearing in ZiLog, Inc. Terms and Conditions of Sale only. ZiLog, Inc. makes no warranty, express, statutory, implied or by description, regarding the information set forth herein or regarding the freedom of the described devices from intellectual property infringement. ZiLog, Inc. makes no warranty of merchantability or fitness for any purpose. ZiLog, Inc. shall not be responsible for any errors that may appear in this document. ZiLog, Inc. makes no commitment to update or keep current the information contained in this document.

Zilog's products are not authorized for use as critical components in life support devices or systems unless a specific written agreement pertaining to such intended use is executed between the customer and ZiLog prior to use. Life support devices or systems are those which are intended for surgical implantation into the body, or which sustains life whose failure to perform, when properly used in accordance with instructions for use provided in the labeling, can be reasonably expected to result in significant injury to the user.

Zilog, Inc. 210 East Hacienda Ave.
Campbell, CA 95008-6600
Telephone (408) 370-8000
Telex 910-338-7621
FAX 408 370-8056
Internet: <http://www.zilog.com>



APPENDIX A

APPENDIX CHANGES

A.1 INTRODUCTION

This is for the reader of previous USC documentation. It summarizes the changes in the names of registers and commands that were made in this document, with a few words about why they were changed.

A.1.1 Transmit Status Blocks—>Transmit Control Blocks

The names of registers and other USC features, in past documentation, maintained the distinction between “status” info as flowing from the USC to the host, and “control” information as flowing from the host to the USC pretty strictly — all except this one.

A.1.2 Interrupt Enable (for individual sources) —> Interrupt Arm

There was no distinction between the enabling of a whole interrupt type and the enabling of an individual source within a type, and it seemed important to distinguish between these, so we kept the former as “enabling” and called the latter “arming” instead. Vague memories of early minicomputer terminology say the same terms were used.

A.2 COMMANDS

A.2.1 Reload RCC / TCC —> Load RCC/TCC

It wasn't clear why RCC and TCC were “reloaded” while TC0 and TC1 were just “loaded”.

A.2.2 Select Straight/Swapped Memory Data —> Select D15-8/D7-0 First

“Straight” means whichever way your microprocessor wants it, while “swapped” is the way the other guys' part works.

A.2.3 Preset CRC —> Clear Tx/Rx CRC Generator

More descriptive of the function: “preset” seemed to carry the possibility that you might be able to load in any arbitrary starting value.

A.3 BIT/FIELD NAMES

There weren't really bit and field names in the old Technical Manual — they were more like text titles. But for those bits and fields that had fairly short titles, the names in this manual may or may not be the same. One change of note is that RCSR4 has been changed from “CV/EOF/EOM” to “RxBound”, after it was noted that the bit has a fourth use: in Nine-Bit mode it flags address bytes. (“CV/EOF/EOM/Addr” seemed a little long)

Another such change is that CCSR14 is now called RCCF Avail rather than RCC Valid. (It's perfectly valid for the RCC FIFO to be empty, in which case there's nothing available to be read from it.) The bit and field names in this book are similar to, but not identical with, those in the Electronic Programmer's Manual.

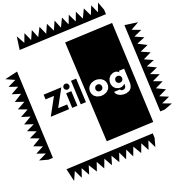
June 1993 Changes

1. HDLC/SDLC Abort status can be queued with received characters (p. 5-33).
2. Receive Data and Status (RxBound) interrupts are delayed so that the RCC FIFO status is correct at the time of such an interrupt (p. 5-38).
3. The RCC residual value in 32-bit Receive Status Blocks is taken from the 4-deep RCC FIFO rather than the singular Receive Count Holding Register (RCHR), thus improving the reliability of frame length reporting in RSBs (pp. 5-38, 5-42).
4. The RCC FIFO overflow status bit is included in Receive Status Blocks to indicate the validity of the RCC residual noted in the previous point (p. 5-42).
5. A new Purge Rx command is added, that clears both the Rx FIFO and RCC FIFO (p. 5-45).
6. Improved synchronization and interlocking between the serial clock and bus transactions have eliminated incorrect FIFO status and Receive DMA requesting leading to "extra bytes" (p 5-50).
7. A new register bit "UnderWait" is included, that keeps the Transmitter from sending the back end of a frame as a new frame, if a Tx DMA channel or software loads new Tx data after a Tx Underrun has occurred (p 5-50).
8. The /RxREQ logic was changed to eliminate the so-called "scribbling problem", wherein /RxREQ was constantly asserted if a frame ended while the Rx FIFO was in Rx Overrun state (p 5-51).
9. If the new register bit "UnderWait" is set and 32-bit TSBs are used, the start of frame transmission is delayed until the Tx FIFO is filled or a complete Tx frame has been loaded, to minimize Tx Underrun conditions near the start of a frame (p 5-50).
10. Flags can be used as a Preamble, for remote equipment that needs more than one or two of them, or for slowing down the frame rate slightly for congestion management (p. 5-53).
11. The /RxREQ logic was changed to improve the reliability of forcing out multiple received frames when 32-bit Receive Status Blocks are used (pp. 6-6, 6-7).
12. A means of identifying the revision level of the device is provided (p. 8-3).

© 1997 by ZiLog, Inc. All rights reserved. No part of this document may be copied or reproduced in any form or by any means without the prior written consent of ZiLog, Inc. The information in this document is subject to change without notice. Devices sold by ZiLog, Inc. are covered by warranty and patent indemnification provisions appearing in ZiLog, Inc. Terms and Conditions of Sale only. ZiLog, Inc. makes no warranty, express, statutory, implied or by description, regarding the information set forth herein or regarding the freedom of the described devices from intellectual property infringement. ZiLog, Inc. makes no warranty of merchantability or fitness for any purpose. ZiLog, Inc. shall not be responsible for any errors that may appear in this document. ZiLog, Inc. makes no commitment to update or keep current the information contained in this document.

Zilog's products are not authorized for use as critical components in life support devices or systems unless a specific written agreement pertaining to such intended use is executed between the customer and ZiLog prior to use. Life support devices or systems are those which are intended for surgical implantation into the body, or which sustains life whose failure to perform, when properly used in accordance with instructions for use provided in the labeling, can be reasonably expected to result in significant injury to the user.

Zilog, Inc. 210 East Hacienda Ave.
Campbell, CA 95008-6600
Telephone (408) 370-8000
Telex 910-338-7621
FAX 408 370-8056
Internet: <http://www.zilog.com>



APPENDIX B

QUESTIONS & ANSWERS

USC FAMILY QUESTIONS AND ANSWERS

The following is a compilation of field customer questions and answers on the USC and IUSC™. They are categorized in four sections: GENERAL, SERIAL/PROTOCOL, DMA, and INTERRUPT. These questions and answers are com-

plied on a on-going basis. To get the most updated list of Q&A's, call the Zilog Bulletin Board Service (ZBBS) at (408) 370-8024 via modem (2400-8-N-1-F).

GENERAL QUESTIONS AND ANSWERS

- Q:** What's the difference between the three Datacom support product kits?
- A:** Here are the main differences between the three Datacom boards:

	Z8018600ZCO	Z16C3001ZCO	ZNW2000
Availability	Now	Now	Now
Supports	16C30 16C32 16C35 85C30 85230	16C30	16C32
Plug-In?	Stand-Alone	Plug-In Card	Yes, ISA Bus
On-Board CPU	80186	None	None
CPU Environ.	Intel	Intel	Intel
Comes With EPM?	Yes	Yes	No
S/W Drivers	Included	Included	Included

- Q:** How can I use the new USC and IUSC™ technical manuals more efficiently to debug and answer my customer's technical questions?
- A:** First, have this list of the USC Family Questions & Answers handy to look-up previously answered questions. This list can be given to the customer for further analysis. Second, use the index provided with both the USC and IUSC technical manuals for quick references. Or, for even faster references, an electronic version of the IUSC technical manual is available on the ZBBS. Use a text editor to globally search for key words on the computer. When key words are located,

you can easily refer to the hardcopy of the technical manual or read directly from the screen. Call the ZBBS to download your copy of the IUSC Technical Manual at 408-370-8024. This file is called "IUSC_TM.EXE" under the "DATACOM SUPPORT" directory. When executed this file will decompress into separate chapters for easier search. Your customers can also access this ZBBS.

- Q:** Dynamic I_{cc} means that the part is operating. What is the speed of operation for this specification, and what sections of the device are running?
- A:** Dynamic I_{cc} is specified for the device operating at its rated speed, with serial transfers and bus activity occurring as in normal operation. As with all CMOS devices, the I_{cc} of a USC family device will vary with the clock speed, with current increasing with increasing clock rate.
- Q:** What technology is used to make the USC and IUSC?
- A:** The USC family is fabricated in an N-well CMOS technology. The USC and IUSC are currently in 1.6 micron, with the IUSC moving to Zilog's 0.8 micron technology in 1994.

General Questions and Answers (Continued)

- Q:** New and old samples of the USC act differently when programmed to interrupt or DMA request when 1 byte is in the Rx FIFO when used a 16-bit bus. Why?
- A:** On a 16-bit bus, USCs with data codes of 9136 and older will interrupt and DMA request when two bytes are available in the Rx FIFO even when programmed to request on one byte. This allows the fill level to be programmed to any level and DMA transfers would be well behaved. USCs with data codes 9137 and newer will interrupt and DMA request when one byte is in the Rx FIFO if so programmed. Therefore, when using DMA on a 16-bit bus, the Rx DMA request level should be programmed to request when a minimum of 2 bytes are available. Otherwise, the DMA will try to transfer a word when only a byte is valid and cause invalid characters to be placed in memory.
- Q:** When reading the Test Mode Data Register (TMDR) the access time is three times normal. How does this affect the AC timings?
- A:** Reading the TMDR (this applies to this register only), the Data Valid Delay is stretched. This impacts the following specifications:
 #1 Bus Cycle Time
 #9 /DS Fall to Data Valid Delay
 #33 /RD Fall to Data Valid Delay
 #79 /RDY Fall to Data Valid Delay
- Q:** How are the current state of the /CTS and /DCD pins monitored using the latch/unlatched command/status bits?
- A:** When the Latched/Unlatched status bit in the MISR is zero, reading the MISR reports the current unlatched state of the pins. When the Latch/Unlatched bit is set, the current state of the pin can be found by writing a one to the latch to clear it and then re-reading the MISR.
- Q:** Does the USC family have on-chip protocol processing similar to some other data communications chips?
- A:** No, Zilog data communication products do not have on-chip protocol processing. This has not been built into our chips since it greatly increases die size and, consequently, cost. Also, many customers report that they are not able to use the "auto" modes of protocol processing chips because of their strict limitations on how they respond...you must make your application work the way the chip does or you can't use the chip. The versatility of the USC family offers a cost effective solution to adapting chips to meet many application needs. Next generation products may include integrated CPUs to provide on-chip protocol processing to meet application needs where appropriate.
- Q:** What Application Notes are available?
- A:** The following Application Notes are available. The devices each App Note applies to is shown in brackets. Design a Serial Board to Handle Multiple Protocols [USC] Using the USC with MIL-STD 1553B [USC, IUSC] Data Communications with the Time Slot Assigner [IUSC] Using the Zilog Datacom Family with the 80186 CPU [USC, IUSC]
- Q:** What products does the Electronic Programmer's Manual (EPM™) support?
- A:** There are EPMs available for the USC and IUSC. They can be purchased from the local Zilog Sales Office or Zilog distributor.
- Q:** Should the unused pins of the (I)USC be tied High, Low, or left floating (i.e., /TxREQ, /CTS, /DCD,...)?
- A:** The basic rules are: Unused OUTPUT ONLY pins can be left unterminated. Unused INPUT ONLY pins should be tied inactive (High if an active Low pin). Unused I/O pins should use a pull-up (2K typical) to the inactive state. Users often get tripped up by I/O pins because they don't take the time to understand when a pin is an input and when it is an output. For example, the /SYNC pin on the SCC family switches from input to output when programmed for sync modes. This means that because the SCC resets into async mode, the /SYNC pin comes up as an input, then when WR4 is programmed, it switches to an output. Consequently, users can fall into the trap of thinking that because they are using it in sync mode, it is an output only—but of course you see the problem is that until programmed, it is an INPUT!
- Q:** To what level does the USC family support the Ethernet protocol?
- A:** The USC family does support the frame format of Ethernet, the 10 Mbps speed, and the Manchester encoding/decoding used. What it does not do is: address checking of the full 48-bit address (it only checks 16) nor the collision detection & backoff. This makes the USC family well suited for internetworking applications that need the USC family's multiprotocol ability, since many inter-net applications (bridges & routers) have to receive all addresses so that address checking is not an issue. The USC family is not well suited to applications that require the full implementation of Ethernet as is done by competitor's chips which only do 802.3 (no HDLC) but do support it completely. These chips are good in LAN adaptors and workstations, but cannot do multiprotocol routing in a single chip. Note that the USC family will be useful in so-called "full-duplex" Ethernet and point-to-point Ethernet, since collision detection and back-off is not used in these cases.

Q: Which pins are used to perform indirect addressing?

A: Using register pointer addressing, you need one address line for S//D (for the IUSC) or A//B (for the USC) and one for D//C (i.e. address lines A2 and A1 respectively), so each USC or IUSC takes 4 words or 8 bytes.

Q: When reading an 8-bit value on a 16-bit bus from a USC family register and using a "Big Endian" micro-processor (Motorola 68000), which half of the bus does the value return on (D15-8 or D7-0)?

A: Regardless of the processor being big or little endian, the USC family will return an 8-bit value on both halves of the data bus. When writing an 8-bit value to a register, the USC family interprets the U//L bit (CCAR:0) as LittleEndian. Therefore, data to be written to the low order byte (D7-0) of a register, should be put on AD7-

0 of the data bus. Similarly, data to be written to the high order byte (D15-8) should be on AD15-8. Remember, Little-Endian means that the least significant byte has the lowest address, while Big-Endian means that the most significant byte has the lowest address.

Q: Is there a problem when using the USC family running Ethernet on a backplane if minimum node distances are violated?

A: This question applies to the layer 1 device driver used and is out of the scope of the Zilog USC family specification.

SERIAL & PROTOCOL QUESTIONS AND ANSWERS

Q: Does the USC family support a promiscuous receive (receive all addresses) when using HDLC/SDLC?

A: Yes, this is the default case. No Rx address checking is selected by programming in the Channel Mode Register (CMR) bits D5-4=00.

Q: How many FM1 flags are needed to sync up the DPLL on the USC? Is a flag-to-data transition required to begin syncing?

A: The DPLL watches the RxD line for transitions. It assumes that these transitions are either clock or data. Depending on the position of the transitions within the bit cell, adjustments are made in the phase of the DPLL output clock to synchronize this output clock with the assumed bit cell boundaries of the incoming data. "Quick Sync" tells the DPLL that the VERY NEXT EDGE

it sees is the one to synchronize to; if this is not the case the DPLL will have to see "n" correct edges before it will be in sync. This "n" is 3 for X8, 6 for X16, and 12 for X32. The time required to really get in sync in the worst case is thus a function of the data encoding method employed as well as the data on the line during the process. The key issue is the number of "edges" the DPLL sees on the RxD line. The DPLL is a feedback system. It inherently tries to stay in sync. If the DPLL happens to sync up on the wrong edge, over time it will adjust to correct the situation, just like it tries to track a varying input signal. There is no "secret" in this; it operates just like the SCC DPLL except that it adjusts a little faster when it's way out of sync.

SERIAL & PROTOCOL QUESTIONS AND ANSWERS (Continued)

Q: Running asynchronous mode, how do you program a USC family device to achieve a certain baud rate with a predetermined external clock? That is, do you need to use the DPLL, BRG, CTR, or certain encoding methods?

A: Below are three baud rate and clock rate examples. The only encoding method allowed for async mode is NRZ. The DPLL is not used in async mode.

EXAMPLE	BAUD RATE	CLK RATE	DIVISOR
#1	2400	76800	76800/ 2400=32
#2	1M	16M	16
#3	9600	614400	64

(1) To achieve : 2400 baud
With ext clk : 76800 Hz
You need : $76800 / 2400 = 32X$

H/W setup : RxC pin → BRG0 → RxCLK
Set registers: CMR(D13-12)=00 for 16X divisor
TCOR =01h for BRG0 divisor
Validation : $16X \text{ times } 2 = 32X$

(2) To achieve : 1M baud
With ext clk : 16 MHz
You need : $16M / 1M = 16X$

H/W setup : RxC pin → RxCLK
Set registers: CMR(D13-12)=00 for 16X divisor
TCOR =00h for no divide
Validation : $16X \text{ times } 1 = 16X$

(3) To achieve : 9600 baud
With ext clk : 6.144 kHz
You need : $6.144K / 9.6K = 64X$

H/W setup : RxC pin → BRG0 → RxCLK
Set registers: CMR(D13-12)=00 for 16X divisor
TCOR =03h for BRGo divisor
Validation : $16X \text{ times } 4 = 64X$

Q: When the USC gets an RCC underrun condition, the device will issue a Device Status Interrupt instead of the expected Receive Status. What should be done?

A: If the channel ever sets RCCUnder Latched/Unlatched and interrupts, the processor should clear the condition by writing a 1 to the L/U bit, discard the data received for the frame(s) by purging the Rx FIFO, reprogram the receive DMA controller if one is being used, and do whatever else is necessary to clean up the situation. Then write the "Enter Hunt Mode" command to the RCmd field of the Receive Command/Status Register (RCSR 15-12)

Q: Is there a trick to using "Wait2Send" feature?

A: "Wait To Send" works by intercepting the data valid signal from the FIFO to the transmitter, which has the effect of stopping transmission at the end of a frame. This works only when the last byte in the frame is marked as EOF either explicitly or by using the TCC. Note that this does not stop DMA requests or interrupt requests. These signals from the FIFO are not touched so that data for the next frame will be requested by the part as soon as the EOF byte is transferred to the transmitter.

Q: Does CRC16 work the same way as CRC32 in HDLC?

A: In HDLC the CRC is inverted before transmission. Mathematically this has the effect of forcing a remainder to be present when the CRC calculation is complete. This remainder is a function of the CRC polynomial used, and the USC family is capable of checking for the proper remainder for the CRC-CCITT polynomial for a 16-bit CRC and the Ethernet polynomial for a 32-bit CRC. When the CRC-16 polynomial is selected in HDLC mode, it does not work because the part does not check for the corresponding remainder.

Q: When using multiple USC family devices at separate stations in HDLC Loop mode, some of the clock jitter from one station's receive path onto its transmit path may increase the error rate. How does the USC family eliminate this problem?

A: The on-board DPLL will automatically adjust and recover the clock information from the data stream, but there is no way to eliminate the jitter. At a fundamental level, the jitter is due to the timing differences between the local oscillators at the various stations in the loop. Thus, the limit on the number of stations in the loop, for error-free transmission, is determined by the local oscillator tolerance (in nanoseconds), multiplied by the number of stations in the loop. This product must be less than one half of a bit time for the loop to function properly.

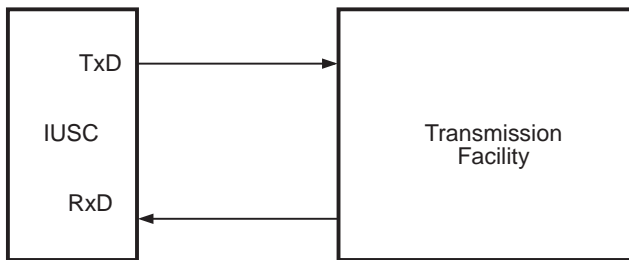
Q: What is the maximum bit rate in synchronous mode with clock recovery from data stream, Manchester encoding/decoding, and the master clock for USC family device operating at 20 MHz?

A: Manchester (Biphase-Level) requires the use of the DPLL. The minimum DPLL divisor is eight, which will give a data rate of 2.5 Mbit/sec.

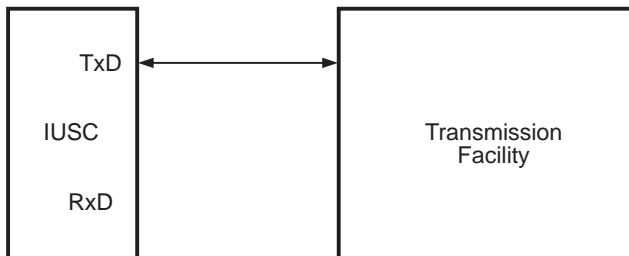
Q: Should I use the counters in a USC family device to have a more stable transmit clock source when I drive the receiver with the DPLL output?

A: The counters would provide a stable transmit clock from a common source when the DPLL is providing the receive clock. The 5-bit counters, which can be programmed to divide an input clock by 4, 8, 16, or 32, can be used as prescalers for the baud rate generators.

- Q:** With the DPLL, what is the purpose of multiple possibilities of divisors?
- A:** The DPLL is used to recover clock information from a data stream with NRZI or Biphasic encoding. The higher the divisor, the less instantaneous jitter there is in the recovered clock. But the price you pay is a lower maximum data rate. Thus the USC family allows the designer to trade off data rate for jitter in the recovered clock.
- Q:** When using a USC family device in HDLC Loop mode, the DPLL is used to clock receive data. Can the DPLL be used to retransmit the data?
- A:** Certainly, just select the source of the transmit clock as the DPLL in the Clock Mode Control Register (CMCR).
- Q:** Can a USC family device perform HDLC half-duplex transfers using separate TxD and RxD lines (as illustrated below)?



- A:** Yes, this is all software driven.
- Q:** Can a USC family device perform HDLC half-duplex transfers by using only one line (as illustrated below)?



- A:** Setting the RTMode field (D9-D8) of the CCAR to 10 will allow the system to transmit in half-duplex over the TxD pin. This mode is called "pin controlled local loopback". When the TxDMode field (D7-D6) of IOCR is 00 (Totem-pole setting) data is transmitted from the USC family device to an external device via the TxD pin. At the same time, this data is looped back into the

internal receive data input. For the device to receive data, the TxDMode field (D7-D6) should be set to 01, selecting the high-impedance state for the TxD driver. Now, the incoming data from the external device will be routed to the internal receive data input of the USC family device. In both cases, the modem hand shaking signals (/CTS, /DCD) will control who transmits and who receives.

- Q:** In the configuration: asynchronous with 7-bits character, can the USC family put 0's in the upper/unused bits?
- A:** The USC family receiver puts the stop bit in the unused bits of a byte. Thus they are one's in the normal case and zero's in the case of a framing error.
- Q:** Do USC family devices have a Recovery Time like the ZiLOG Z8530 SCC does?
- A:** No. The USC family does not have a recovery time. The Bus Cycle Time (AC Spec #1) specifies the access time of the device. The bus interface is asynchronous and is similar to that of a static RAM.
- Q:** Does the USC family limit the serial data rate with respect to the CPU clock the way the SCC limits the serial data rate to 1/4 of PCLK?
- A:** No. The USC family does not limit the serial data rate with respect to the speed of the CPU interface. The parallel and serial portions of the device operate asynchronously to each other.
- Q:** Can USC family devices transmit and receive packets that are composed of multiple chained buffers as well as having the packets themselves chained together?
- A:** Since the USC does not have on-chip DMA, the composition of how the data is organized in memory is independent of how data is written to or read from the USC. The IUSC's on-chip DMA is able to send and receive messages composed of multiple buffers as well as terminate a buffer at the end of the message.

SERIAL & PROTOCOL QUESTIONS AND ANSWERS (Continued)

- Q:** Is there a minimum length for HDLC/SDLC frames?
- A:** No, there is no minimum frame length. A frame can be as short as: Opening Flag, 1 data character, CRC (optional) and a Closing Flag. If address and control field handling is specified, the receiver will post Short Frame status in bit 8 of the RCSR if a closing flag is received before the control field is complete.
- Q:** Is the rated serial data rate aggregate, or is the rated speed for each receiver/transmitter?
- A:** ZiLog specifies the maximum rated serial data rate for each receiver/transmitter independently (not aggregate).
- Q:** What is the maximum clock frequency for the Port 0 & 1 pins (IUSC only) when they are used as CLK0 & CLK1 inputs?
- A:** The timing requirements for these inputs is the same as for the /RxC pin.
- Q:** In HDLC mode, can the USC family do address search and compare on a 16-bit address?
- A:** The USC family can check the first 8 bits of the address field and receive or reject the frame if the incoming address matches the programmed value (or the global address of FFH).
- Q:** In HDLC mode, can the extended address/control feature be used to check for a 16-bit address?
- A:** The extended address feature allows the device to extend the point at which it begins to assemble data according to the programmed character size. It doesn't extend the length of the address which is compared for frame reception or rejection. Extending the address/control field is useful when this field is in 8-bit increments, but the data is in 7, 6, or 5 bit/char format.
- Q:** In HDLC mode, does an Abort set the End Of Frame bit?
- A:** Yes, an Abort does set the End Of Frame status (RCSR4), for the last data byte written to the receive FIFO.
- Q:** In HDLC mode, does the receiver recognize shared zero flags as well as non-shared zero flags? Will it accept shared flags?
- A:** Yes, the receiver will recognize shared zero flags and flags shared between frames.
- Q:** In HDLC mode, will the transmitter send one flag between frames?
- A:** Yes, but only if data is present in the transmit FIFO when the flag completes transmission. Otherwise another flag or the idle line condition will be started. S26: In 802.3 mode, is it required to end the frame by deasserting /DCD?
- Q:** In 802.3 mode, it is required to end the frame by deasserting /DCD?
- A:** Yes, it is the deassertion of the /DCD pin that signals the end of the message in 802.3 protocol. The 802.3 standard provides no other mechanism for terminating a frame. It's part of the carrier sense in the description of CSMA/CD.
- Q:** In HDLC mode, is transmitting End Of Frame the same as Underrun?
- A:** The End Of Frame (EOF) and Underrun are different conditions in the USC family. There are register bits that control the response for each condition separately. This provides for automated response if the transmitter underruns inadvertently before the intended end of the frame. The transmitter reaches the Underrun condition when there is no data to load into the transmit shift register because the transmit data FIFO is empty. What the transmitter does in this condition is programmed in the Channel Mode Register (CMR15-14). The choices are to send either: an Abort (7 1's), an extended Abort (15 1's), a Flag, or accumulated CRC & Flag. The transmitter reaches the End Of Frame condition when a byte marked with EOF status is loaded into the transmit shift register. A byte can be marked with EOF status in two ways: using the command "Set EOF/EOM" (TCSR15-12=1111), or when the transmit character counter value reaches zero. When the TxCRCatEnd bit in the TMR is set to one, the byte marked with EOF status will be followed by CRC and Flag.
- Q:** When the Receive Character Count (RCC) FIFO overflows (it is four entries deep), when is the RCC FIFO overflow status bit (RCCF Ovflo) CCSR15 set?
- A:** The USC family sets the RCCF Ovflo bit is set in the RCC FIFO for the fourth RCC FIFO entry when it overwrites the previous fourth entry in the RCC FIFO. The first three entries do not have the overflow status set. Once the first three entries in the RCC FIFO are read, the overflow bit will be set in the CCSR. The overflow status is only cleared by writing a 1 to the "Clear RCC FIFO" bit (CCSR13). This also empties the RCC FIFO and clears the RCC FIFO Available bit.

- Q:** Does the Purge Rx FIFO command clear the Receive Character Counter?
- A:** No, the Purge Rx FIFO command does not clear the Receive Character Counter, but it does cause the contents of the RCLR to be loaded into the receive character counter.
- Q:** What are the wiring concerns when connecting multiple IUSCs together?
- A:** Unless addresses are multiplexed onto the AD pins with data, don't connect the /AS pins of the IUSC's to any signal from or derived from the processor or backplane bus. Instead connect them all together and connect a pullup resistor to keep the line high when the CPU has control of the bus.

The decoding logic that drives /CS should ensure that no IUSC's /CS pin can go low when another IUSC is in control of the bus. Also the /INTACK pins must stay high when an IUSC is in control of the bus.

Always connect all of the /UAS and /AS pins of the IUSC's together and use them to latch addresses from the AD15-0 lines. Put a pullup resistor on /UAS to keep the line high when the CPU has control of the bus.

Either connect all of the /DS pins together or all of the /RD and /WR pins, but not all three. If all three are interconnected, the first time one of the IUSCs becomes bus master and drives /DS and /RD or /DS and /WR low, it will inactivate all of the other IUSCs. Provide separate pullup resistors for each of the /DS pins or for each of the /RD and /WR pins, whichever signals are not used in the host bus.

- Q:** Can the /TxC pin be used for both data recovery in the Rx data stream as well as clocking the transmit data?
- A:** Typically in this situation, while the DPLL is supplying the receive clock, one of the counters (CTR0 or CTR1) will be used to supply a fixed transmit clock at the same rate. The problem with using the DPLL output to drive the transmitter is that once the receive data stream stops, the DPLL output may stop also, depending on the mode. Note that in HDLC Loop applications it is necessary to use the DPLL outputs to drive both the receiver and transmitter to prevent bit errors due to timing differences between the different stations on the loop.
- Q:** When using data encoding, the USC family specifies the /TxC to TxD output delay at 35 ns max., for both rising and falling edge of clock. What is the maximum expected difference between /TxC rise to TxD out and /TxC fall to TxD out.
- A:** These two delay times are matched very closely for any specific device, due to the inherent matching within a semiconductor device.

- Q:** When using the USC family in 16-bit multiplexed mode and directly addressing the transmit and receive data registers, is it necessary to use the D//C pin?
- A:** No, on the USC in multiplexed mode, one would tend to ground the D//C pin. But do not carry this idea over to IUSC applications, in which D//C is needed to select between the DMA channels for access to their (non-shared) registers.
- Q:** Why is the following General Timing specified:
T3 TsTxd(RxCf) RxD to /RxC Fall Setup Time?
T4 ThRxD(RxCf) RxD to /RxC Fall Hold Time?
- A:** For NRZ, NRZB, NRZI-Mark and NRZI-Space encodings, these specifications are not applicable. However, for all of the Biphase encodings, where the receive data signal may change on both edges of the clock, the receiver must sample the RxD pin on both edges of the clock. Hence these two specifications.
- Q:** Can any data encoding method be used in Async mode?
- A:** No, only NRZ can be used, for the simple reason that in Async the receiver is looking for a 1-to-0 transition to start the counting of receiver clocks to do the X16, X32 or X64 clock dividing. NRZ is the only encoding method that can guarantee this edge polarity for a start bit.
- Q:** How many receive clocks are required after the clock that samples the last zero in a closing Flag to get the last byte of data into the receive FIFO?
- A:** Three receive clocks, after receipt of the closing Flag, are required to get the last byte of data into the receive FIFO.
- Q:** What can cause the receiver to miss generating RxBound interrupts? Depending on the FIFO Request Level, the RxBound interrupt seems to be missing on either odd-length or even-length frames.
- A:** The software is not setting the WordStatus bit in the RICR. What happens is that the interrupt logic is then seeing only the status on one byte when a word is read from the receive FIFO. This leads to missing status interrupts.

SERIAL & PROTOCOL QUESTIONS AND ANSWERS (Continued)

- Q:** The Transmit Control Block is being sent as data. What am I doing wrong?
- A:** If the previous transmit frame ended normally, the TSB is automatically routed to the proper registers in the USC family. However, if you are starting up, or pro-

cessing a case where the previous frame did not terminate normally (because of an underrun, for example) it is necessary to condition the transmitter to expect a TSB instead of data. The Load TCC command in the CCAR is the easiest way to do this. Refer to the Technical Manual for more details.

DMA QUESTIONS AND ANSWERS

- Q:** While in the master mode using the IUSC, what is the timing of the Byte/Word signal?
- A:** B/W has the same timing as S/D and D/C. When the IUSC is transferring a byte the signal is High; when the IUSC is transferring a word the signal is Low.?
- Q:** The IUSC Spec shows the Memory Read timing diagram. If the DMA is in the middle of one of these cycles, the memory is driving the data bus while /RD is low. /RD will go high 25 nsec max after the falling edge of CLK (param. 141). If the next DMA cycle begins on the next rising CLK edge, then the DMA will come out of tri-state and drive the bus with the address 25 nsec max after the rising edge of CLK. With a 16 MHz DMA clock, about 30 nsec of CLK-low time exists. Going strictly from the numbers given, param 141 could be 25 nsec exactly, while param 148 could be close to zero nsec. This would give the memory only about 5 nsec in which to go tri-state before the DMA began driving the bus with the address (30 nsec CLK-low time minus 25 nsec for /RD to go high plus 0 nsec possible for the DMA to begin driving the bus after CLK goes high).

Can you provide a more realistic number to use (/RD-high to-ADbus-being-driven)? Is the next cycle really going to begin at the last rising edge (i.e., is the last rising CLK edge the same as the first rising CLK edge shown on the page)?

- A:** Yes, the next rising edge of CLK will start another DMA cycle. However, parameter #145 has been modified to also carry a minimum value. This is because on a single chip one cannot have one delay time that is at the maximum while another delay time is at the minimum; the two numbers will track. This gives the designer much more than the 5 ns that you cite above

- Q:** Is there a mode where the USC can deassert the /DMAREQ pin without using the /DMAACK (that is, /TxACK & /RxACK)?
- A:** This is just a flow through DMA transfer, which is supported by the USC. The DMA controller performs two bus cycles for each piece of data transferred between the USC and memory. The first cycle reads data from the source, be it the USC or the memory. The DMA controller captures this read data and then presents it on the data bus again in the second cycle which is a write to memory if the data came from the USC or a write to the USC if the data came from memory. The main advantage of flowthrough transfers is that they involve minimal hardware design considerations, because both cycles of each pair are similar to bus cycles performed by the host processor. The /RXREQ and /TxREQ signals will be deasserted during the bus cycle just as if /RxACK or /TxACK were being used to transfer the data. The /TxACK and /RxACK pins can be used as outputs or as polled inputs in this case.
- Q:** What's the largest memory buffer possible when using the array or linked list mode in the IUSC? In which register is it programmed?
- A:** The length of the buffer is programmed in the relevant Byte Count Register. Since these registers are 16-bits wide, there is a 64K byte limit on the size of buffers.
- Q:** When using the IUSC, what is the minimum time between /BUSREQ active and /BIN active?
- A:** There is no particular timing requirement or relationship between /BUSREQ and /BIN. The IUSC is always ready to deal with a falling edge on /BIN. If it is requesting the bus, it keeps /BUSREQ asserted while it uses the bus, which lasts until it doesn't have anything more to do, or its usage is limited by the BDCR, or /BIN goes high or /ABORT goes low. If it doesn't want to use the bus it drives /BOUT low for as long as /BIN stays low.

- Q:** Can an IUSC DMA channel that was terminated by /ABORT or /BIN going active or inactive, respectively, resume transfers where it stopped?
- A:** If the DMA transfer is stopped by negation of /BIN, the IUSC will assert /BUSREQ again automatically, as soon as 8 or 40 clocks have gone by per MinOff39 (DCR5). Then when the processor or arbiter answers with /BIN the DMA will start up exactly where it left off.
- If the DMA transfer is stopped by the assertion of /ABORT, the BUSY bit is cleared, so the DMA channel won't do anything again until the software sets it again by means of one of the Start commands. Software controls whether this restart is "in place" (Start or Start/Continue), or whether it drops back to the start of a memory buffer (Start/Init).
- Q:** In HDLC mode using DMA, can the USC notify the CPU when a closing flag is encountered by the receiver before the fill level is reached by using a pin?
- A:** When programmed as a DMA request, the /RxREQ pin goes normally active when the FIFO reaches the fill level. This function is enabled by setting the CCAR (D15-D11) for "receive DMA request." The /RxREQ signal will also go active when the receiver writes the last byte before the closing Flag of a received message into the Rx FIFO.
- Q:** Why is DMA transmit request, /TxREQ, asserted before the transmitter is enabled?
- A:** The DMA request signals are independent of the transmit and receive logic. Therefore, if the transmit FIFO is below the programmed fill level, /TxREQ will go active independent of the transmitter being enabled. This is typical when first starting up a channel since the FIFO is empty when /TxReq is enabled.
- Q:** When using the IUSC on a 16-bit bus, how is the last byte transferred to memory if there are an odd number of bytes in the received message? Is there a mechanism to handle this?
- A:** In serial protocols which result in the IUSC setting the RxBound bit in the RCSR (HDLC, 802.3, 1553B, NBIP, External Sync, Transparent Bisync) the byte with RxBound status set will be transferred to memory regardless of its byte/word boundary in the received message. The Rx DMA will continue to request transfers until the character with RxBound status is moved to memory. When only one byte remains in the Rx FIFO, the Rx DMA will complete a 16-bit transfer to memory. The fact that only one byte of the transfer is valid is indicated by the 1stBE (RCSR14), or by the odd value of the Receive Character Count (RCC).
- Q:** When the DMA in the IUSC reads external memory for array or linked-list table information, does it attempt to fetch all bytes in one burst access or does it release the bus between byte/word accesses?
- A:** The IUSC will attempt to move all the bytes in one access. Of course, if the transfer is interrupted or aborted, subsequent transfers will be required.
- Q:** In the IUSC in array and linked-list modes and in the event of a receive CRC error, is the current receive buffer reused?
- A:** No, buffers are not re-used when a CRC or any other error is detected. A buffer is only re-used when its address is explicitly given to the DMA a second time.
- Q:** When using array or linked list modes in the IUSC, can several chained data buffers be sent in one frame, or is CRC and closing Flag sent at the end of each buffer?
- A:** Yes, multiple memory buffers can be sent in one frame. The IUSC provides features which allow the data buffer boundaries to be independent of serial data packet boundaries. The IUSC uses separate counters for the size of the memory buffer and the size of the frame (TCLR). The best way to use the TCLR is to use the Transmit Control Block (TCB) feature (CCR bits D15 & D14). By putting the size of the packet in memory in the TCB, the frame length value will automatically go to the Transmit Count Limit Register (TCLR) and will cause the CRC and Flag to be appended after this number of bytes has been transmitted, independent of DMA buffer boundaries.
- Q:** When does the IUSC release the bus relative to /BUSREQ going inactive?
- A:** /BUSREQ is driven high from the same rising edge on CLK at which it releases the various other bus signals. This is shown in the IUSC Technical Manual under "Bus Acquisition and Release Timing".
- Q:** What is the function of the S//D and D//C pins when the IUSC is bus master?
- A:** The S//D and D//C pins can be configured to output the type of DMA access that is in progress. If these pins are configured as inputs only, they are ignored during the DMA transfers and the system should always drive them.
- Q:** When using Receive Status Block with 16-bit DMA transfers and an odd number of data bytes is received, will the status block be transferred to memory on odd or even memory addresses?
- A:** The data transfer which moves the last byte of data is still a word transfer of which only one byte is valid. Therefore, the status block (or next data) will be to an even address.

DMA QUESTIONS AND ANSWERS (Continued)

- Q:** Since the Receive Status Block is appended to the end of the data in memory, how does software determine where the last byte of data is?
- A:** Rather than using a two word status block, use a one word status block and then read the RCCR register for the byte count of the frame. This register is FIFO'd four deep to allow the system latency in reading out this value. An alternative solution is to fill the memory buffer with a known pattern when starting and find where the pattern stops to determine how many bytes are in the frame. The IUSC has a new feature that enables the DMA to write the Receive Status Block as part of the array table in array mode or as part of the linked-list in linked-list mode.
- Q:** The Technical Manual shows that /BUSREQ is driven high 4.5 clocks after the rising edge of the strobe for that last transfer. The specification is stated as a minimum. What is the maximum?
- A:** The /BUSREQ signal drives high 4.5 clocks after the strobe. This specification can be considered both a min and max; the delay is always 4.5 clocks.
- Q:** The IUSC AC specification #148 shows the maximum active delay for the data bus after the rising edge of clock. What is the minimum?
- A:** The minimum is 0 ns. The IUSC can begin to drive the address immediately after the rising edge of clock. A delay of 15 ns would be typical.
- Q:** Why does the IUSC insert inactive states after a bus transfer without releasing bus control?
- A:** The 'inactive' states are used by the IUSC to update the internal device status to determine if the bus should be released. For example, after completely filling the transmit FIFO, it is necessary to determine if the receive channel needs to move data and, therefore, continue to hold mastership of the bus. Another example of an 'inactive state' is the time between fetching the link address pointer and the fetching the link address in linked list mode.
- Q:** Is there a signal that can be used as a 'pre-warning' of the removal of the /BUSREQ signal? Is there a method to reduce the number of clock cycles between the last transfer to the deassertion of BUSREQ?
- A:** There is no signal to indicate the deassertion of /BUSREQ. There is no known way to shorten the bus release time. The 4.5 clocks to release the bus is a small overhead to the total time for data transfers.
- Q:** What is the advised sequence of register access to initialize the DMA controller in the IUSC?
- A:** There is a chapter in the IUSC Technical Manual which provides guidelines on the requirements for programming sequence. Those used to the SCC will find the IUSC much less sensitive to programming sequence.
- Q:** What is the advised sequence of register access in starting and continuing array chained DMA operation? Are there any tricks to do this?
- A:** Once a DMA channel is initialized and enabled, continuous operation is automatic. It is recommended to always maintain a link entry with a byte count of zero. This will prevent the IUSC from accessing memory in unexpected places if buffer processing falls too far behind the serial data. The only trick to keeping the DMAs going is for the memory management software to keep ahead of the serial channel's usage of memory buffers.
- Q:** In linked-list mode, what is the maximum number of links in the chain?
- A:** There is no maximum number of buffers that can be in the linked list. The size of the linked list is only limited by the size of system memory and memory management software.
- Q:** In Linked List or Array mode, is there a method to determine that a buffer has been started and completed?
- A:** The IUSC DMA channel can indicate that a buffer has started use by enabling the Ring Buffer feature (TDMR12 or RDMR12 set to 1). When the DMA channel reads the buffer byte count, it will write back the count value as zero. Therefore, software can check this word to see that if the byte count is zero, the buffer count has been read. Completion of the buffer can be easily determined by enabling the Linked Status Transfer feature (TDMR13 or RDMR13 set to 1). With this feature enabled the Array and Linked List entries have an unused word following the control/status words. This unused word is written with zero's when a buffer is completed. Therefore, if this word is written with any non-zero value when the array or list is set up, buffer completion can be determined by checking this word.

- Q:** Are there some rules of thumb to tune the device for performance problems?
- A:** If you are experiencing RCC FIFO overflows, try increasing the Rx DMA Trigger Level. This has the effect of diminishing the overhead of DMA transfers on the bus, which may give more bandwidth to the processor for handling the End Of Frame condition. A less desirable alternative is to increase the number of bytes per frame, which reduces the bandwidth required for handling the End Of Frame condition.

If you are experiencing Rx FIFO overruns with interrupts, either decrease the Rx FIFO Interrupt Level if the overflow is occurring as a result of long interrupt latency, or increase the Rx FIFO Interrupt Level if the overflow is occurring as a result of processing during the interrupt service routine. If the overruns are occurring with DMA operation, decrease the Rx DMA Trigger Level to better account for bus latency.

If you are experiencing Tx FIFO underruns with interrupts, either decrease the Tx FIFO Interrupt Level if the underrun is occurring as a result of long interrupt latency, or increase the Tx FIFO Interrupt Level if the underrun is occurring as a result of processing during the interrupt service routine. If the underruns are occurring with DMA operation, decrease the Tx DMA Trigger Level to better account for bus latency.

Remember that when talking about levels in the FIFO, the CPU sees the Rx side as the number of slots filled and the Tx side as the number of slots available.

- Q:** While using the IUSC, the transmitter sends all data correctly. The Rx DMA will receive bad data on every other byte. Also the /RxREQ signal will change states on every other byte. What is this a symptom of?
- A:** When using 16-bit DMA transfers, the DMA request level values in the RICR must always be programmed to at least 1, indicating 2 bytes received in the Rx FIFO. Similarly, the TICR must always be programmed to at least 1, indicating 2 empty bytes in the Tx FIFO. Otherwise the serial channel will request what the DMA thinks is a word transfer for every byte.

After programming the DMA request threshold, it is good programming practice to write the TCSR or RCSR to select the FIFO Fill Level, to prevent software from inadvertently modifying the Interrupt or Request Levels in the TICR or RICR.

- Q:** Does the Master Bus Request Enable bit (MBRE) in the DCAR need to be "1" when doing register pointer writes to the DCAR (for non-multiplexed slave accesses)?
- A:** When using indirect register addressing, software typically should include a "1" in the MBRE bit when writing a register address to the DCAR. If MBRE is cleared when writing a register address to the DCAR, the DMA channels are thereafter prevented from requesting and using the bus to transfer data to or from the serial channel.
- Q:** Is it possible to use the Receive status block in basic asynchronous mode? The customer wants to put each received character by DMA in memory associated with a status word.
- A:** No, both receive status blocks and transmit control blocks only apply to "framed" protocols like HDLC. Storing a status word with each byte can be done by reading the RCSR before each data byte. Just read the status before the data. This would have to be done under interrupt control as a DMA would only pick up the data.
- Q:** Is it possible to simultaneously use interrupts and DMA to receive characters?
- A:** Yes, because the DMA and interrupt request thresholds are programmed independently. Therefore, you could interrupt on a fill level of 2 bytes, but DMA request on 16. Such a scheme is fraught with perils, as it may happen that the CPU and DMA could inadvertently interleave FIFO reads. A better use of the DMA request would be for some higher priority interrupt since the normal interrupt had not yet been serviced.

DMA QUESTIONS AND ANSWERS (Continued)

- Q:** Why is the /BIN input sampled twice in the IUSC? /BIN is a bus grant, and if /BUSREQ is sent, why should more than one bus grant be required? It would appear that at the end of a transfer, /BIN goes high early enough so that a device does not become confused by the /BIN being low for another device's transfers.
- A:** This allows the arbitration mechanism to present a high-performance but, occasionally, metastable grant to the IUSC. The IUSC takes a while to get the state machine going. And these start-up steps occur between the two samples. You can view at the second sample as a confirming one, just before the IUSC starts active operation.
- Q:** My system sometimes locks up after trying to add entries to a Linked List. What is going on?
- A:** The most likely cause is an interlock problem with the process and DMA accessing the byte count in the last entry in the List. There is a specific way to add entries to the List under these circumstances. It is detailed in the IUSC Technical Manual.

INTERRUPT QUESTIONS AND ANSWERS

- Q:** When does the /W//RDY signal go tri-state?
- A:** The /W//RDY never goes tri-state as an output, but is only driven High or Low. When acting as an input, its AC characteristic is the same as a tri-stated output. As stated in the Tech Manual, if several devices are in the board, the hardware must logically combine the /W//RDY pins. In the IUSC the /W//RDY pin is released from the driven condition (goes tri-state at the same time that the bus control signals are driven by the IUSC. In a similar fashion, the /W//RDY pin is returned to a driven state when the bus controls are tri-stated by the IUSC. This pin will always return High; it only goes Low in response to some kind of bus cycle. For Wait mode it only goes Low during interrupt acknowledge cycles, and in Ready mode it goes Low for any access of the IUSC as a slave.
- Q:** Why is it necessary to disable interrupts (as with the SCC) to do address demultiplexing from data?
- A:** It is prudent to disable interrupts when doing the "address point" operation because if the pointer is pointing at an address and an interrupt for that channel comes, the service routine will disrupt the pointer and then return to the main program without restoring the pointer, which will disrupt the USC's normal operation. Note that because the USC contains a pointer per channel, only the channel being "pointed to" needs to have its interrupts disabled.
- Q:** When an overrun condition occurs, will the USC continue to assert the DMA request until the FIFO is purged, or will the DMA request be disabled after the maximum number of characters specified by initial value of RCLR have been transferred out of the Rx FIFO (that is in case the Rx FIFO is not able to be purged in time)?
- A:** When the overrun data enters the Rx FIFO, the USC will not recognize it until it reaches the top of the Rx FIFO. The DMA will continue to transfer data until the overrun data reaches the top of the Rx FIFO. Then the overrun interrupt is generated and the recovery process begins with software.
- Q:** Why and when should an Interrupt Pending (IP) bit be cleared?
- A:** IP bits should be cleared so that another incoming interrupt can be requested while the current interrupt is serviced. IP bits can be cleared at the beginning or the end of the interrupt routine.
- Q:** An abort is received on the 4th byte in the middle of a Rx frame. Is abort marked after the 3rd byte?
- A:** The fourth byte is tagged with both RxBound and Abort if the Abort Frame option is programmed in the RMR. Otherwise the Abort condition is reported immediately and the software must read out the Rx FIFO until the RxBound byte is found, checking the CRC results at the same time.
- Q:** What happens if the received frame is shorter than the programmed Rx Interrupt or Rx Request Level? Will the USC family request any kind of interrupt or DMA transfer?
- A:** The USC family will request an Rx data interrupt when the byte tagged with RxBound is written into the FIFO. In the interrupt routine, one must check the number of bytes in the Rx FIFO. Read those bytes out of the FIFO. When the byte tagged with RxBound is the oldest byte in the FIFO, the USC will request a Rx Status interrupt. (The Rx Stat IP in the DCCR will be set, and the RxBound bit in the RCSR will be set).

- Q:** The IUSC Technical Manual states that /DS and /INTACK should never be active at the same time. However, the nonmultiplexed Interrupt Acknowledge Cycle timing diagram shows both of these pins active at the same time.
- A:** The manual states that no two strobe signals should be active at the same time. In the case of Status Interrupt Acknowledge cycles, the /INTACK pin is a status signal and the /DS pin is the signal that strobes the interrupt vector. This is different from the case of the Pulsed or Double-Pulsed Interrupt Acknowledge cycle where the /INTACK pin is strobing in the interrupt vector.
- Q:** Explain why sometimes the reading on the fill level of the receive FIFO reports that there are 33 bytes in a 32 byte deep FIFO?
- A:** When the receive FIFO is overrun, it can read that there are 33 bytes available. This is due to the fact that there is a holding register where data is held before being put into the receive FIFO (this allows status like RxBound to be marked with the data when it loaded to the FIFO). When the receiver overruns it stops receiving data. When the last byte of data is transferred to memory, a Rx Status interrupt is generated (the interrupt is triggered by removing the byte with overrun status). The Rx FIFO Purge command is necessary to clear the overrun and re-enable receiving data. It may be desirable to also issue the command "Enter Hunt Mode" (in the RCSR register) so that reception starts at the beginning of the next frame.
- Q:** When the IUSC is operating in Linked List mode with Early Buffer Termination and the End Of Buffer (EOB) is reached somewhere in the last buffer, what is the sequence of setting EOB and EOL? Does the EOL bit get set at the same time as the EOB bit, or will the EOB become set first, and the EOL become set second after the DMA tries to fetch the next link?
- A:** The EOB bit is set during the clock cycle between the last buffer access and the first array fetch. The EOL bit is set during the clock cycles immediately after the array fetch which reads the zeros in the buffer length field, indicating no more buffers. Under normal circumstances the CPU servicing the EOB interrupt will see both of the bits set at the same time, but if the DMA releases the bus before fetching the array entry, and the CPU is able to read the status bits during this time, only the EOB bit will be set.
- Q:** If multiple interrupts occur, how many can the IUSC queue up?
- A:** There are 30 interrupt sources in the IUSC, divided into six types in the Serial section and eight DMA interrupt sources (4 of each type per channel). Each source is individually maskable; those that are armed and enabled are ORed together to assert the single /INT pin. When the CPU acknowledges the interrupt, the IUSC tells the CPU which is the highest priority type that is enabled and requesting. If all 8 types were requesting, I suppose you could say that the lower 7 types were in some sense queued. For some of the sources that involve edge detection, such as the modem control pins, there's a more meaningful answer. As noted in the "Edge Detection and Interrupts" section of IUSC Technical Manual, there is a hidden edge detection latch that can record another edge of the same polarity before software has finished handling the previous edge of that type. So for these sources the answer is "the IUSC can queue a second interrupt for some sources, besides the one it's requesting for".
- Q:** When should the Sent bits (i.e. EOF/EOM Sent, CRC Sent, All Sent) in the TCSR be reset during an interrupt service routine?
- A:** As stated in the IUSC Technical Manual, software should clear or unlatch status register bits after clearing IP and before clearing and rearming the IA bits.

© 1997 by ZiLog, Inc. All rights reserved. No part of this document may be copied or reproduced in any form or by any means without the prior written consent of ZiLog, Inc. The information in this document is subject to change without notice. Devices sold by ZiLog, Inc. are covered by warranty and patent indemnification provisions appearing in ZiLog, Inc. Terms and Conditions of Sale only. ZiLog, Inc. makes no warranty, express, statutory, implied or by description, regarding the information set forth herein or regarding the freedom of the described devices from intellectual property infringement. ZiLog, Inc. makes no warranty of merchantability or fitness for any purpose. ZiLog, Inc. shall not be responsible for any errors that may appear in this document. ZiLog, Inc. makes no commitment to update or keep current the information contained in this document.

Zilog's products are not authorized for use as critical components in life support devices or systems unless a specific written agreement pertaining to such intended use is executed between the customer and ZiLog prior to use. Life support devices or systems are those which are intended for surgical implantation into the body, or which sustains life whose failure to perform, when properly used in accordance with instructions for use provided in the labeling, can be reasonably expected to result in significant injury to the user.

Zilog, Inc. 210 East Hacienda Ave.
Campbell, CA 95008-6600
Telephone (408) 370-8000
Telex 910-338-7621
FAX 408 370-8056
Internet: <http://www.zilog.com>