

QUICK START GUIDE FOR DEMONSTRATION CIRCUIT 875 HIGH EFFICIENCY BUCK-BOOST FLASH LED DRIVER

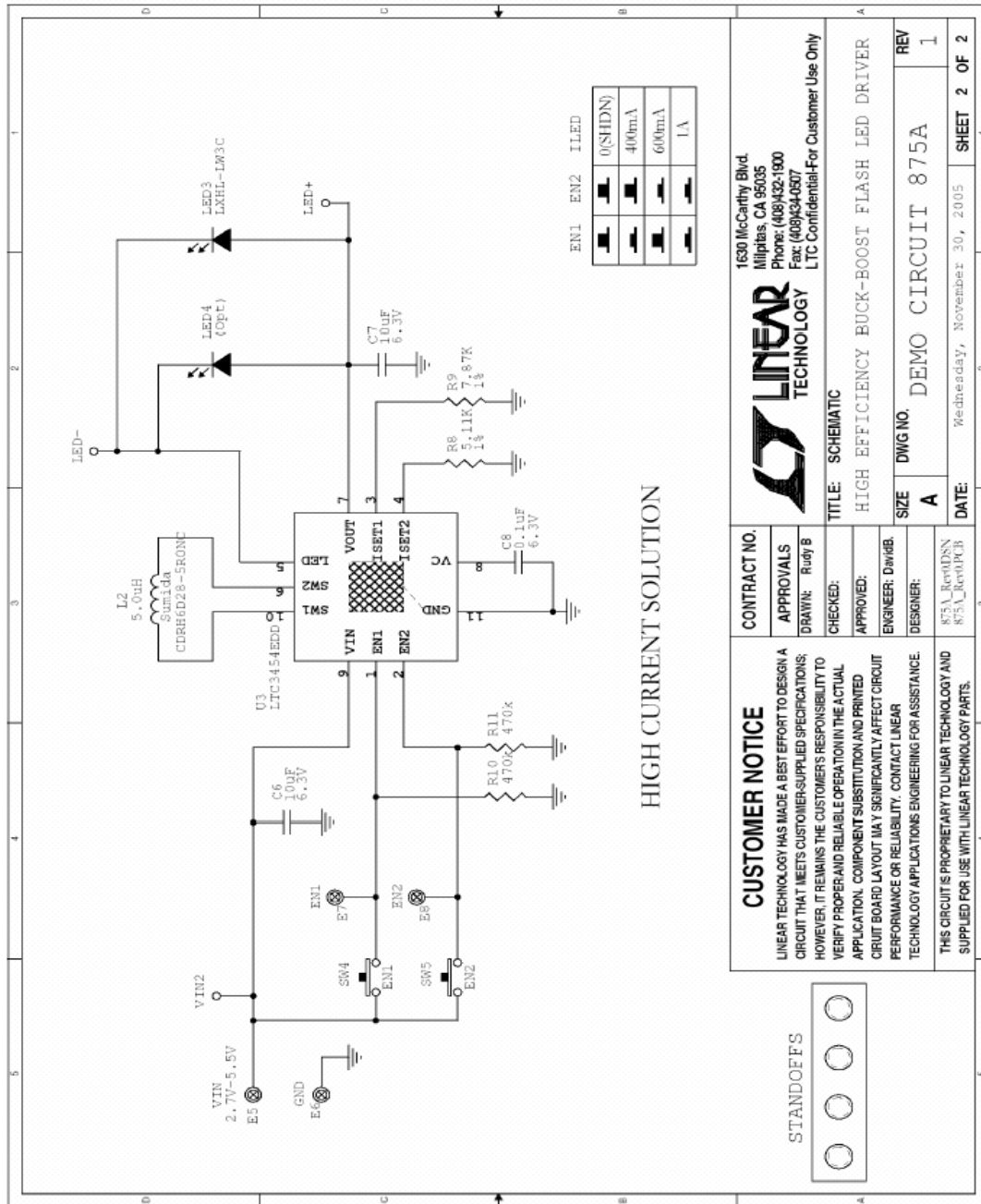


Figure 4. Schematic: High Current Solution

LINEAR TECHNOLOGY		1630 McCarthy Blvd. Milpitas, CA 95035 Phone: (408)432-1900 Fax: (408)434-0877 LTC Confidential-For Customer Use Only	
CONTRACT NO.		TITLE: SCHEMATIC	
APPROVALS		HIGH EFFICIENCY BUCK-BOOST FLASH LED DRIVER	
DRAWN: Rudy B		SIZE DWG NO. DEMO CIRCUIT 875A	
CHECKED:		REV	
APPROVED:		1	
ENGINEER: David B.		DATE: Wednesday, November 30, 2005	
DESIGNER:		SHEET 2 OF 2	
STANDOFFS			
CUSTOMER NOTICE		<p>LINEAR TECHNOLOGY HAS MADE A BEST EFFORT TO DESIGN A CIRCUIT THAT MEETS CUSTOMER-SUPPLIED SPECIFICATIONS; HOWEVER, IT REMAINS THE CUSTOMER'S RESPONSIBILITY TO VERIFY PROPER AND RELIABLE OPERATION IN THE ACTUAL APPLICATION. COMPONENT SUBSTITUTION AND PRINTED CIRCUIT BOARD LAYOUT MAY SIGNIFICANTLY AFFECT CIRCUIT PERFORMANCE OR RELIABILITY. CONTACT LINEAR TECHNOLOGY APPLICATIONS ENGINEERING FOR ASSISTANCE.</p> <p>THIS CIRCUIT IS PROPRIETARY TO LINEAR TECHNOLOGY AND SUPPLIED FOR USE WITH LINEAR TECHNOLOGY PARTS.</p>	
<p>875A_Rev01/DN 875A_Rev01/PCB</p>			