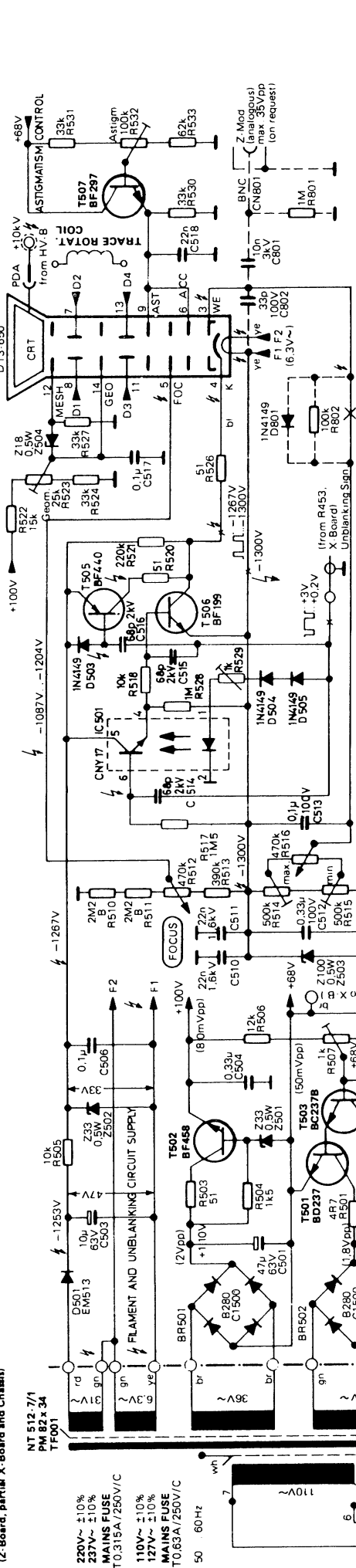


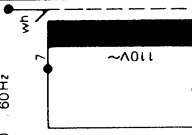
POWER SUPPLY AND CRT CIRCUIT HM 512 - 8

(Z-Board, partial X-Board and Chassis)



NT 512-7/1
PM 82 x 34
TF001

- 220V ~ ±10%
- 237V ~ ±10%
- MAINS FUSE**
T0.315A/250V/C
- 110V ~ ±10%
- 127V ~ ±10%
- MAINS FUSE**
T0.63A/250V/C
- 50 ~ 60Hz



COMPONENT LOCATIONS Z-BOARD

