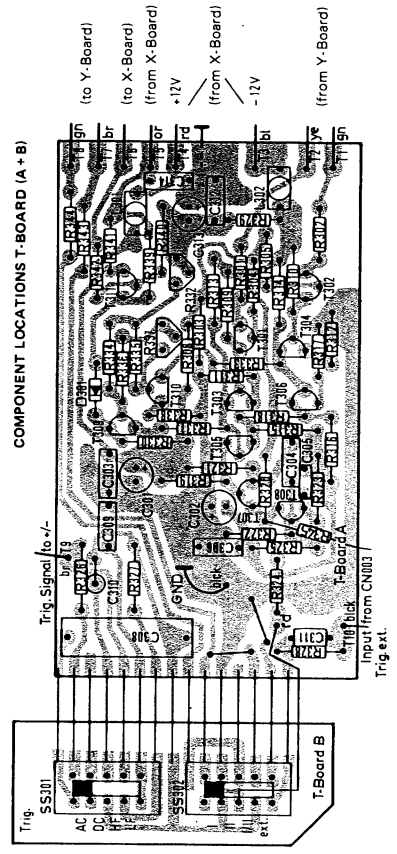
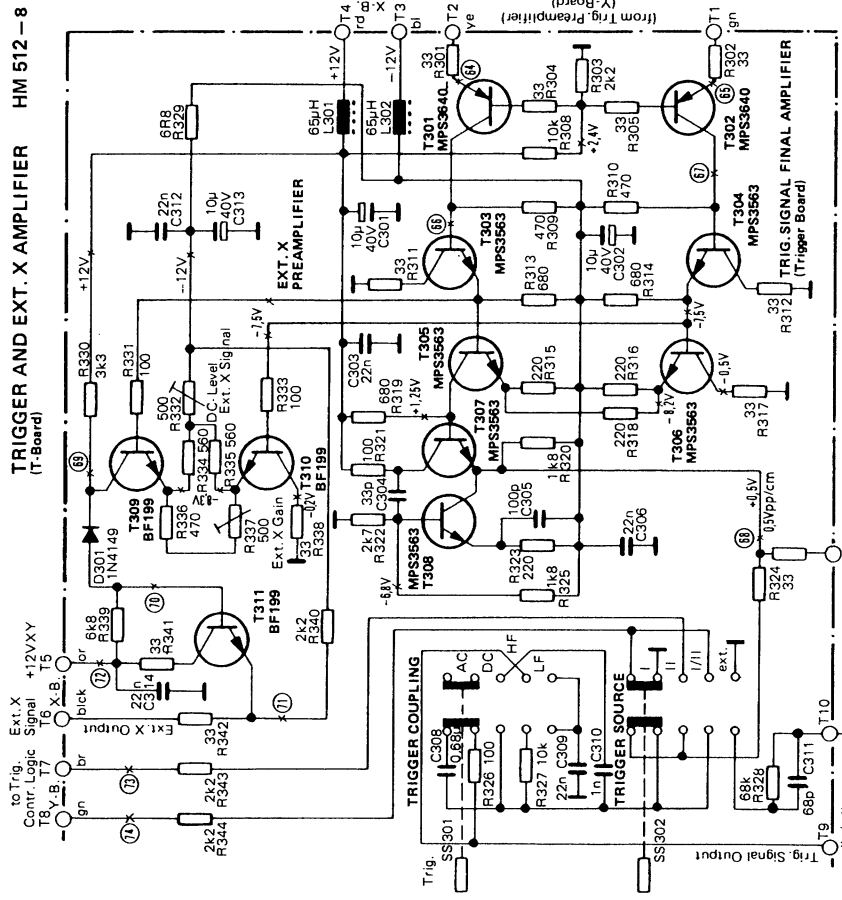
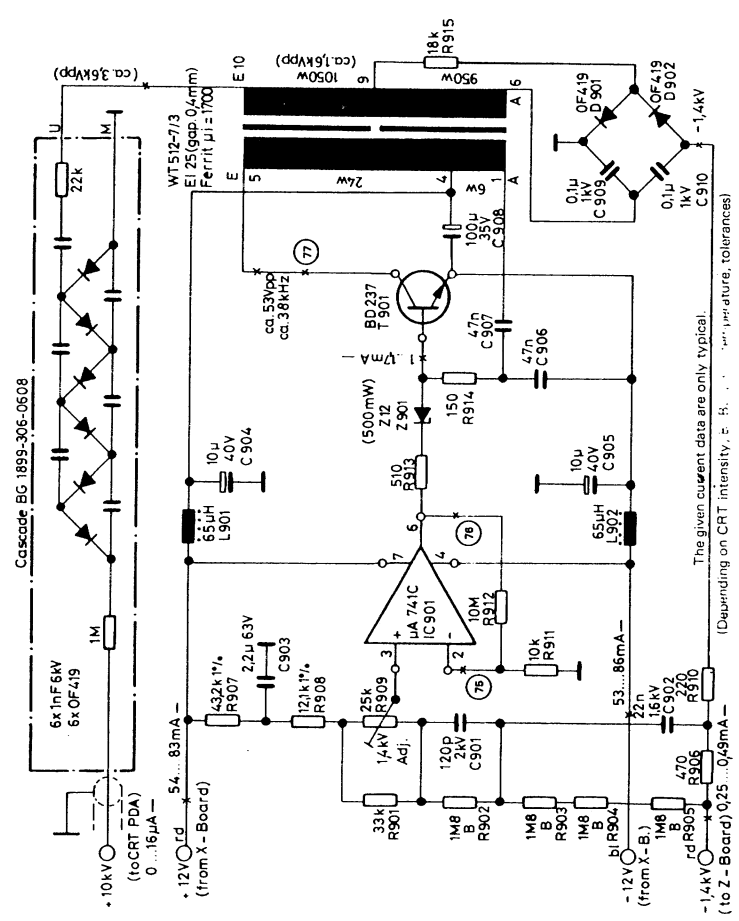


TRIGGER AND EXT. X AMPLIFIER HM 512 - 8
(T-Board)



HIGH VOLTAGE CONVERTER HM 512 - 8
(HV-Board)



The given current data are only typical. (Depending on CRT intensity, ϵ , θ , \dots , temperature, tolerances)

COMPONENT LOCATIONS HV-BOARD

