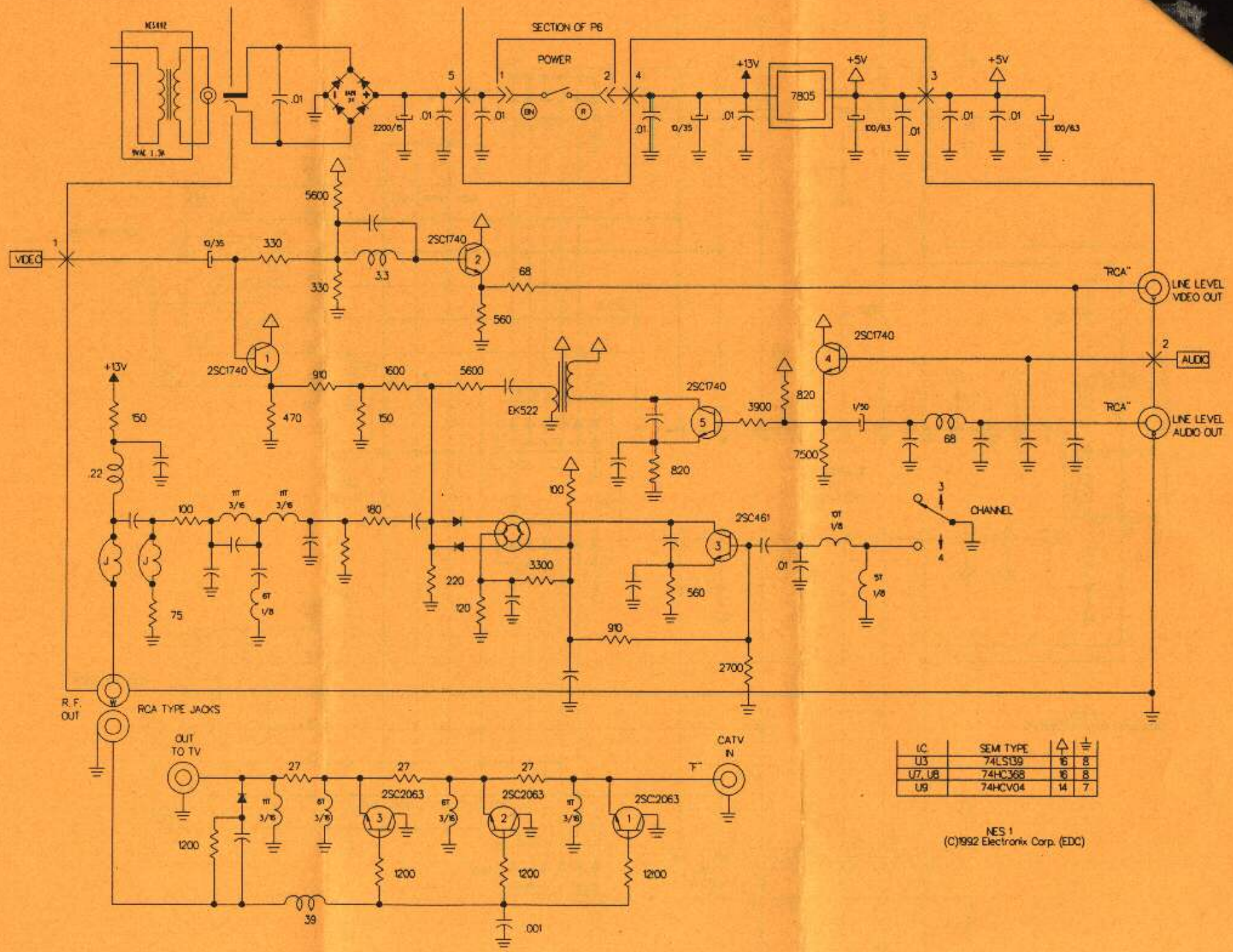


Schematic
Diagrams
for
Nintendo[™]
Entertainment System

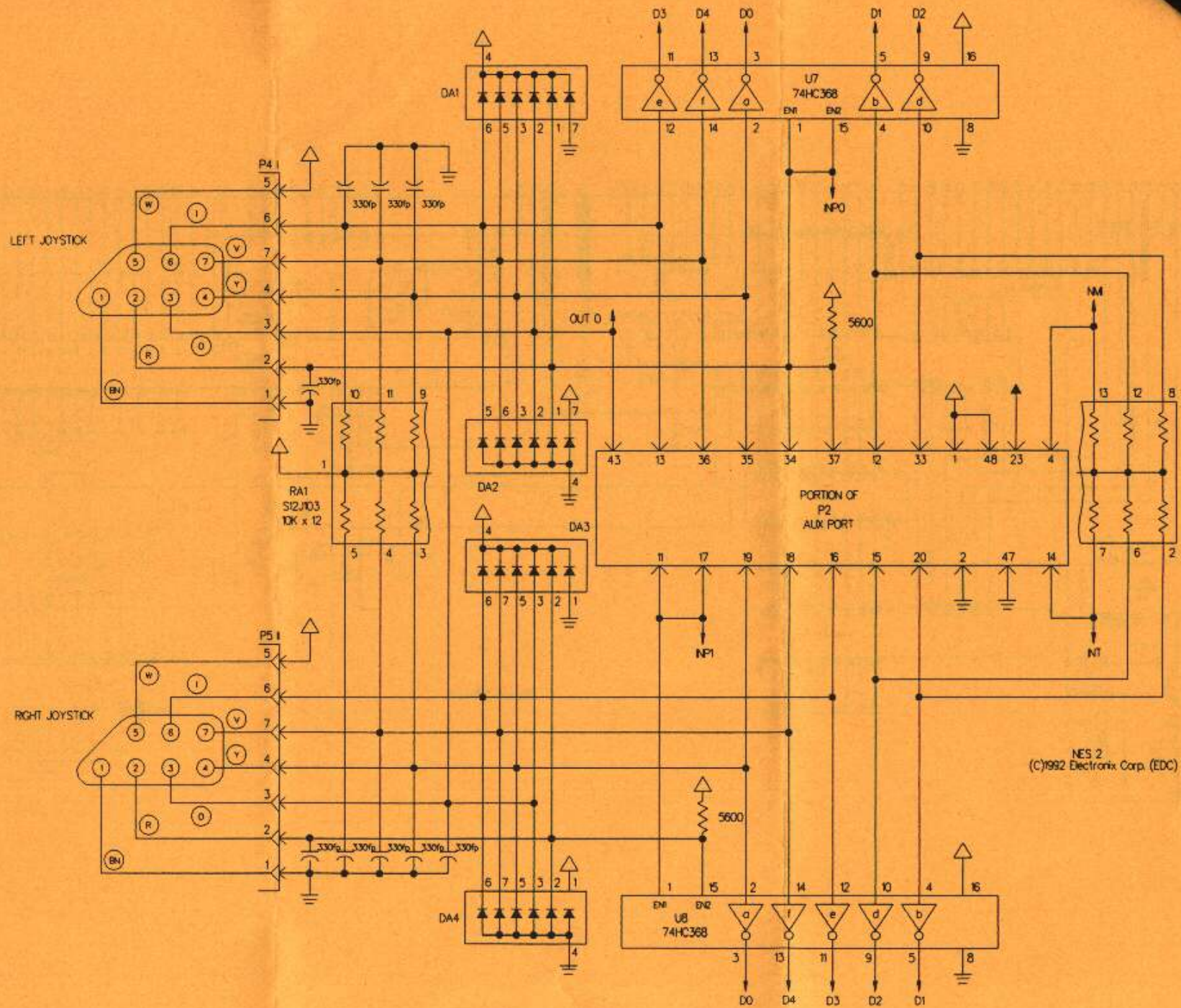
Stock# 18-600

Nintendo, Gameboy, and Nintendo Entertainment Systems are trademarks of Nintendo of America, Inc.
These diagrams were reverse engineered by Electronix Corp. and are not original Nintendo schematics.
Copyright (C)1992 Electronix Corp. Not responsible for errors or omissions.

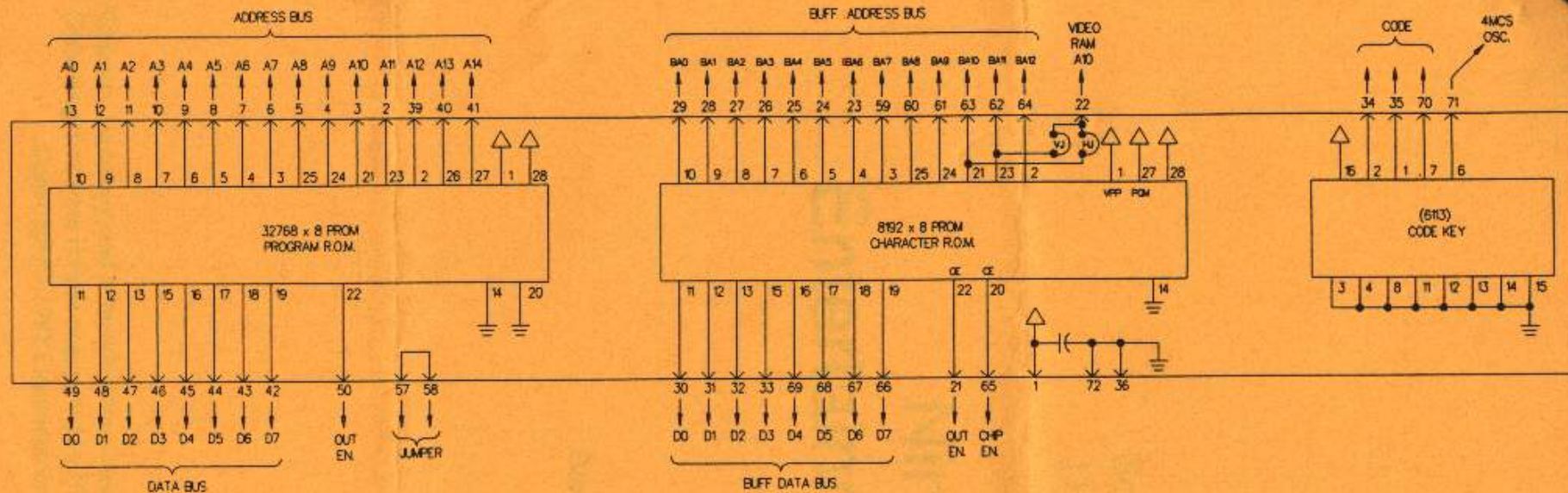


IC	SEM TYPE	△	≡
U3	74LS09	16	8
U7, U8	74HC368	16	8
U9	74HCV04	14	7

NES 1
 (C)1992 Electronix Corp. (EDC)



NES 2
(C)1992 Electronix Corp. (EDC)



GAME CARTRIDGE DISPLAYED: "MARIO BROTHERS" CARTRIDGE IS STATIC SENSITIVE. SOME CARTRIDGES CONTAIN A LITHIUM BATTERY, WHICH MUST BE OCCASIONALLY REPLACED.

NES 4
(C)1992 Electronic Corp. (EDC)

