

Features

- Small size with 16A switching capability.
- Low coil power consumption : 200mW available.

Safety Approval

UL , C-UL File No. : E179745

TUV File No.R50139459

CQC File No. : CQC02001002127

Contact Capacity

Model	SPA
Nominal switching capacity (res. load)	10A 250VAC
Max. switching current	16A
Max. switching voltage	277VAC
Max. switching power	4,432VA

Characteristic Data

Contact material	Silver alloy	
Initial contact resistance (at 6VDC 1A)	50mΩ Max.	
Operate time (at nominal volt.)	15msec. Max.	
Release time (at nominal volt.)	8msec. Max.	
Initial insulation resistance	1,000MΩ Min.(DC500V)	
Initial dielectric strength	Between open contacts : AC1,000V , 50/60Hz 1min.	
	Between coil and contact :AC2,500V , 50/60Hz 1min.	
Vibration resistance	Functional	10 ~ 55Hz at double amplitude of 1.5 mm
	Destructive	10 ~ 55Hz at double amplitude of 1.5 mm
Shock resistance	Functional	10G Min.
	Destructive	100G Min.
Endurance (operations)	Mechanical (at 10,800 ops./h)	10,000,000
	Electrical (at 1,800 ops./h)	100,000
Ambient temperature	-40°C ~ +105°C (no condensation)	
Unit weight	Approx. 8.6 g	

Coil Data (at 20°C)

Nominal voltage (VDC)	Nominal operating current ±10% (mA)	Coil resistance ±10% (Ω)	.Max allowable voltage	Pick-up voltage (Max.)	Drop-out voltage (Min.)	Nominal operating power
3	66.67	45	150 % of nominal voltage	75 % of nominal voltage	5 % of nominal voltage	.Approx 0.20W
5	40.00	125				
6	33.33	180				
9	22.22	405				
12	16.67	720				
18	11.11	1,620				
24	8.57	2,880				
48	7.09	6,770				Approx.0.34W

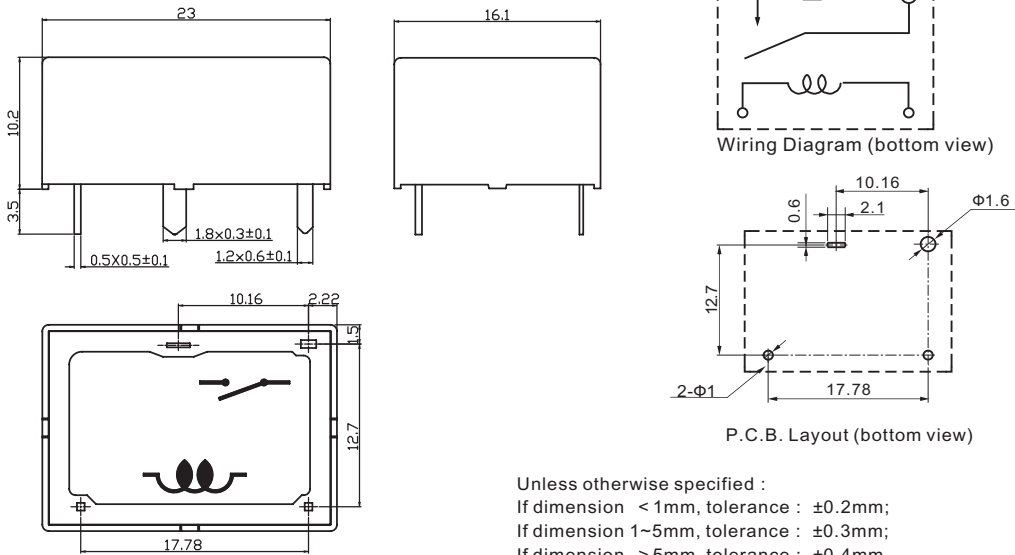
Safety Approval Ratings (Note: More detail of approval ratings, please refer to the safety certification.)

Approval	CQC	TUV	UL/CUL
File No.	CQC02001002127	R50139459	E179745
Approved ratings	10A 250VAC	10A 250VAC 10A 30VDC	15A 125VAC , Resistive 10A 250VAC , Resistive 5A 125VAC , General Use 10A 24VDC

Ordering Information

Nomenclature									
SPA	-S	-1	12	D	M	1	-F	-XX	
Special Parameter : Nil-Standard type, 01-compound contact									
Insulation System : Nil-Standard, B-Class B, F-Class F									
Contact Material : Nil-AgSnO ₂ , 1-AgCdO									
Contact Form : M-Form A									
Coil Power : D-0.20W/0.34W (48V)									
Coil Voltage (VDC) : 03, 05, 06, 09, 12, 18, 24, 48									
Number of Poles : 1-1 Pole									
Protective Construction : S-Flux proofed, SH-Sealed type washable									
Type Designation : SPA									

Outline Dimensions, Wiring Diagram, P.C. Board Layout (unit : mm)



Unless otherwise specified :
 If dimension < 1mm, tolerance : ± 0.2 mm;
 If dimension 1~5mm, tolerance : ± 0.3 mm;
 If dimension > 5mm, tolerance : ± 0.4 mm.
 Note : 1. Extended terminal dimension is dimension before soldering.
 2. Tolerance of P.C.B. layout : ± 0.1 mm.

Typical Applications

- Home appliances, office equipment, instrument

Disclaimer:

This datasheet is the customers' reference. All the specification are subject to change without notice. We could not evaluate all the performance and all the parameters for every possible application. Thus the user should in a right position to choose the suitable product for their own application. If there is any query, please contact Sanyou for the technical service. However it is the user's responsibility to determine which product should be used only.

Dongguan Sanyou Electrical appliance Co.,LTD, All rights of Sanyou to reserved