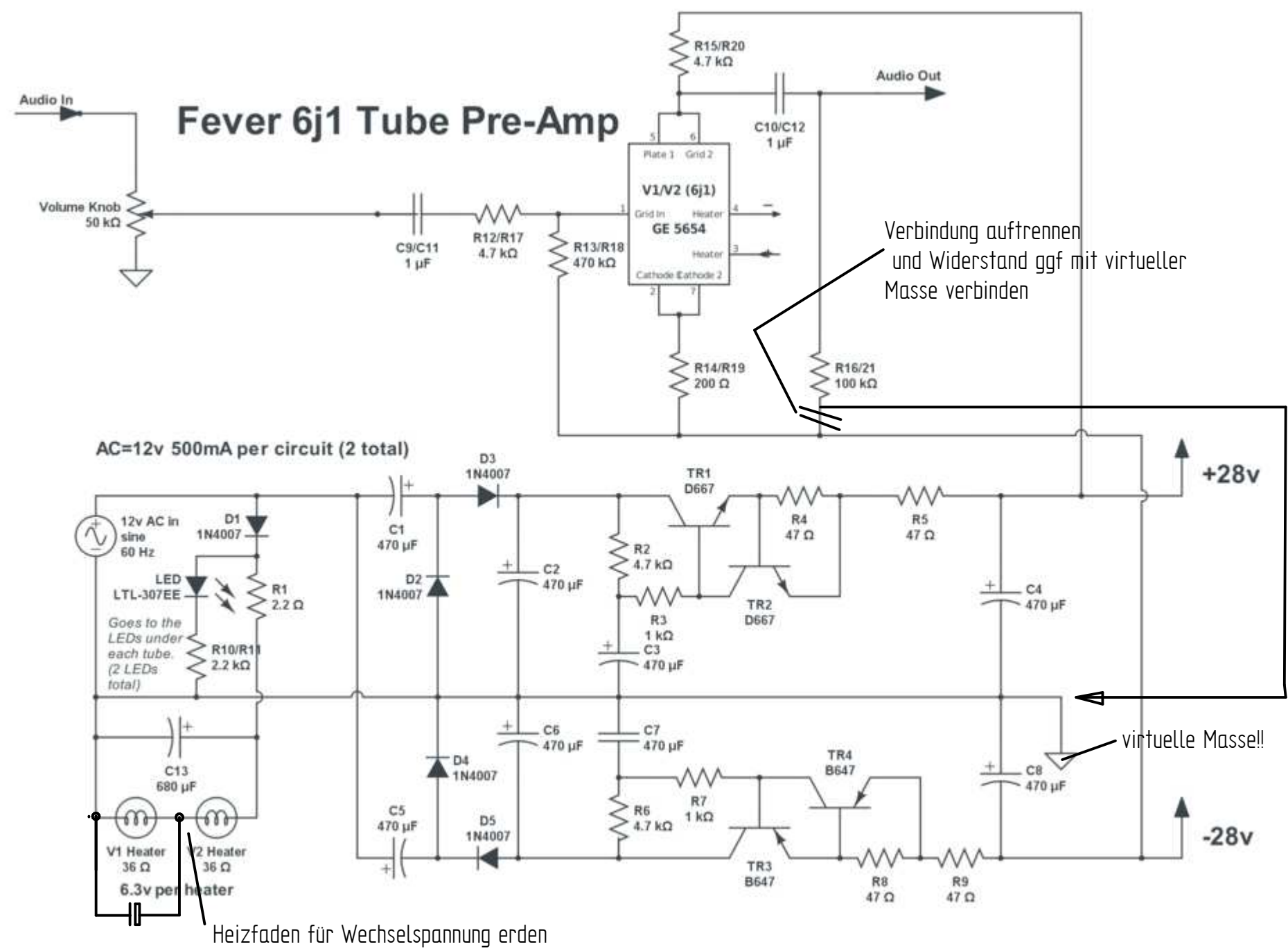


REVISION HISTORY

REV	DESCRIPTION	DATE	APPROVED



Heizfaden für Wechselspannung erden



jcolber2 / Fever 6j1 Tube Pre-amp Circuit
<http://circuitlab.com/c9vnehk>

NAME	DATE	Referenz Solid Edge
DRAWN mundhena	Fehler: Keine	
CHECKED		
ENG APPR		
MGR APPR		TITLE
UNLESS OTHERWISE SPECIFIED DIMENSIONS ARE IN MILLIMETERS ANGLES ±X.X° 2 PL ±X.XX 3 PL ±X.XXX		SIZE A3 DWG NO
		FILE NAME: Draft1
SCALE:	WEIGHT:	SHEET 1 OF 1

SOLID EDGE ACADEMIC COPY