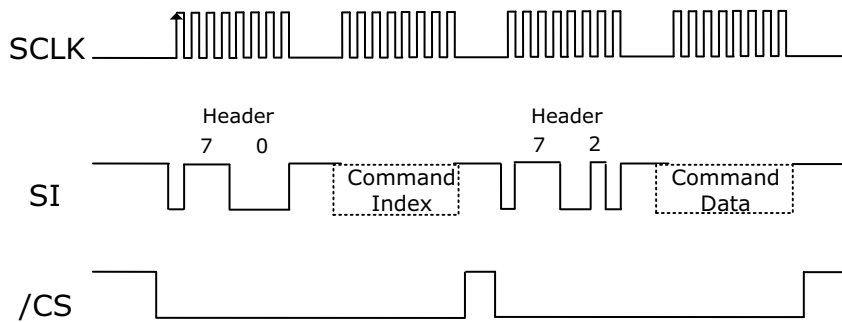
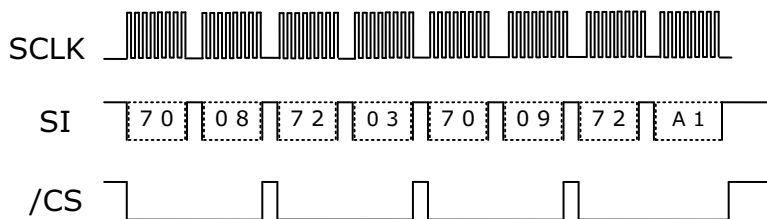


- SPI write command signals and flowchart(SPI):



Example:  
Send two continue SPI write commands  
SPI(0x08,0x03) and SPI(0x09, 0xA1)



If Command Data is larger than two bytes,  
you must input data continuously without  
setting Command Index again.

