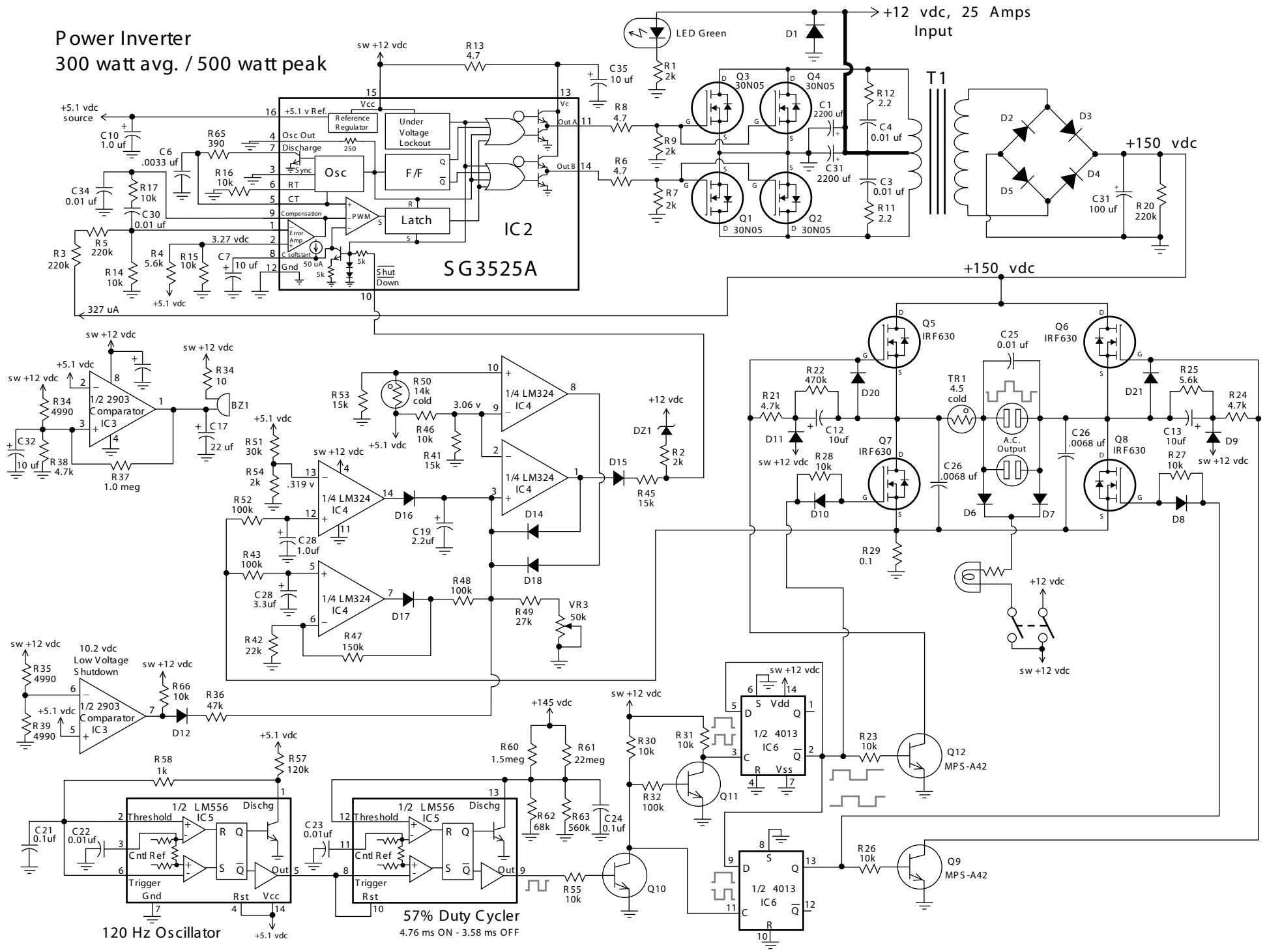


Power Inverter

300 watt avg. / 500 watt peak



120 Hz Oscillator

57% Duty Cycler
4.76 ms ON - 3.58 ms OFF

+12 vdc, 25 Amps Input

+150 vdc

+150 vdc

+12 vdc

sw +12 vdc

+145 vdc

sw +12 vdc

sw +12 vdc

+5.1 vdc

+5.1 vdc

+5.1 vdc source

sw +12 vdc

LED Green

Input

T1

SG3525A

57% Duty Cycler

4.76 ms ON - 3.58 ms OFF

Q12 MPS-A42

Q9 MPS-A42

Q7 IRF630

Q5 IRF630

Q2 30N05

Q4 30N05

Q3 30N05

Q1 30N05

Q8 IRF630

Q6 IRF630

Q4 30N05

Q2 30N05

Q5 IRF630

Q6 IRF630

Q7 IRF630

Q8 IRF630

Q9 MPS-A42

Q10 MPS-A42

Q11 MPS-A42

Q12 MPS-A42

Q13 MPS-A42

Q14 MPS-A42

Q15 MPS-A42

Q16 MPS-A42

Q17 MPS-A42

Q18 MPS-A42

Q19 MPS-A42

Q20 MPS-A42

Q21 MPS-A42

Q22 MPS-A42

Q23 MPS-A42

Q24 MPS-A42

Q25 MPS-A42

Q26 MPS-A42

Q27 MPS-A42

Q28 MPS-A42

Q29 MPS-A42

Q30 MPS-A42

Q31 MPS-A42

Q32 MPS-A42

Q33 MPS-A42

Q34 MPS-A42

Q35 MPS-A42

Q36 MPS-A42

Q37 MPS-A42

Q38 MPS-A42

Q39 MPS-A42

Q40 MPS-A42

Q41 MPS-A42

Q42 MPS-A42

Q43 MPS-A42

Q44 MPS-A42

Q45 MPS-A42

Q46 MPS-A42

Q47 MPS-A42

Q48 MPS-A42

Q49 MPS-A42

Q50 MPS-A42

Q51 MPS-A42

Q52 MPS-A42

Q53 MPS-A42

Q54 MPS-A42

Q55 MPS-A42

Q56 MPS-A42

Q57 MPS-A42

Q58 MPS-A42

Q59 MPS-A42

Q60 MPS-A42

Q61 MPS-A42

Q62 MPS-A42

Q63 MPS-A42

Q64 MPS-A42

Q65 MPS-A42

Q66 MPS-A42

Q67 MPS-A42

Q68 MPS-A42

Q69 MPS-A42

Q70 MPS-A42

Q71 MPS-A42

Q72 MPS-A42

Q73 MPS-A42

Q74 MPS-A42

Q75 MPS-A42

Q76 MPS-A42

Q77 MPS-A42

Q78 MPS-A42

Q79 MPS-A42

Q80 MPS-A42

Q81 MPS-A42

Q82 MPS-A42

Q83 MPS-A42

Q84 MPS-A42

Q85 MPS-A42

Q86 MPS-A42

Q87 MPS-A42

Q88 MPS-A42

Q89 MPS-A42

Q90 MPS-A42

Q91 MPS-A42

Q92 MPS-A42

Q93 MPS-A42

Q94 MPS-A42

Q95 MPS-A42

Q96 MPS-A42

Q97 MPS-A42

Q98 MPS-A42

Q99 MPS-A42

Q100 MPS-A42