

MECHANICAL DATA

Item	Max.	Unit
Module Size(WxHxT)	160.0x109.0x11.0	mm
Viewing Area(WxH)	121.0x93.0	mm
Dot size(WxT)	0.33x0.33	mm
Dot Pitch(WxT)	0.36x0.36	mm

ABSOLUTE MAXIMUM RATINGS

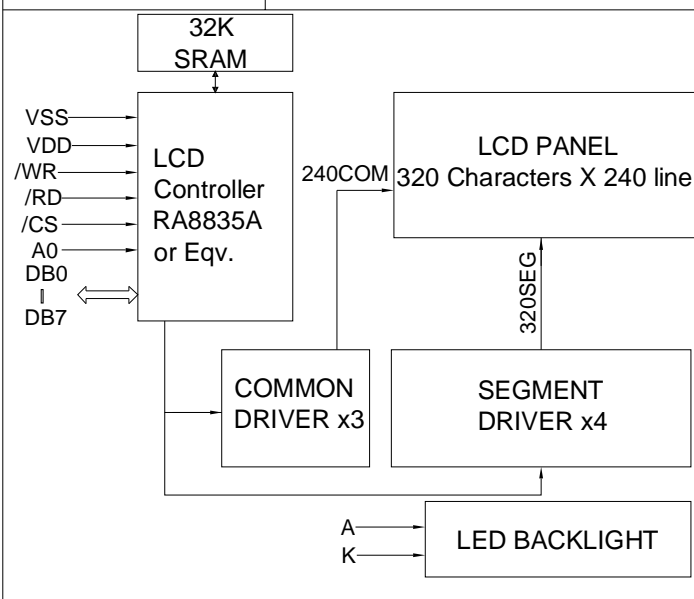
Item	Symbol	Min	Type	Max	Unit
Operating Voltage	VDD	4.7	5.0	5.2	V
Operating Current	I _{DD}	-	15.0	20.0	mA
LED Voltage	V _{LED}	4.8	5.0	5.2	V
LED Current	I _{LED}	-	120	-	mA

Description

Display Type	BLUE
View Angle	6' Clock
Color of Backlight	WHITE
Control IC	RA8835A
Operating Temp	-20°-70°C
Storage Temp	-30°-80°C

PIN J1

Pin	Symbol	Level	Function
1	VSS	0V	Power GND
2	VDD	+5V	Power supply for logic
3	V _o	--	Operat voltage for LCD
4	/WR	H/L	Write signal
5	/RD	H/L	Read signal
6	/CS	H/L	Chip enable signal
7	A0	H/L	H:instruction code L:data
8	/RST	H/L	Reset Signal(LOW)
9	DB0	H/L	Data bus line
10	DB1		
11	DB2		
12	DB3		
13	DB4		
14	DB5		
15	DB6		
16	DB7		
17	A	--	+5V for Backlight
18	VEE	--	Output voltage for LCD
19	A	--	+5V for Backlight
20	K	--	0V for Backlight



DESCRIPTION: C/D

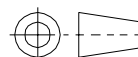
BN320240A

GENERAL TOL UNIT

±0.20

mm

DO NOT SCALE THIS DRAWING

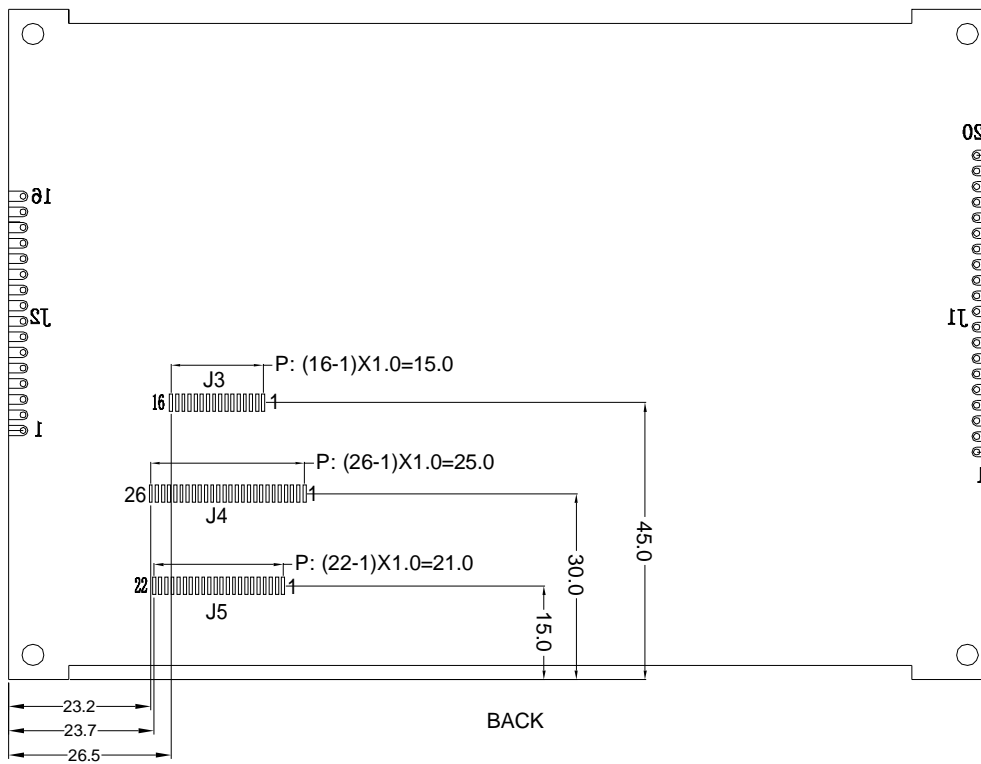


APPROVALS

DATE

APP: TSANG

2012.06.29



PIN J2/J3

Pin	Symbol
1	D0
2	D1
3	D2
4	D3
5	/DISP
6	FLM
7	M
8	LP
9	CP
10	VDD
11	VSS
12	VEE
13	Vo
14	VSS
15	LED A
16	LED K

PIN J4

Pin	Symbol
1	VSS
2	VDD
3	Vo
4	A0
5	/WR
6	/RD
7	DB0
8	DB1
9	DB2
10	DB3
11	DB4
12	DB5
13	DB6
14	DB7
15	/CS
16	/RST
17	VEE
18	LED A
19	TCLK
20	/TCS
21	TDI
22	TDO
23	/TINT
24	NC
25	NC
26	NC

PIN J5

Pin	Symbol
1	VSS
2	VDD
3	Vo
4	A0
5	/WR
6	/RD
7	DB0
8	DB1
9	DB2
10	DB3
11	DB4
12	DB5
13	DB6
14	DB7
15	/CS
16	/RST
17	VEE
18	VSS
19	NC
20	NC
21	NC
22	NC

DESCRIPTION: C/D		BN320240A	
GENERAL TOL	UNIT		
±0.20	mm	DO NOT SCALE THIS DRAWING	
		APPROVALS	DATE
		APP: TSANG	2012.06.29