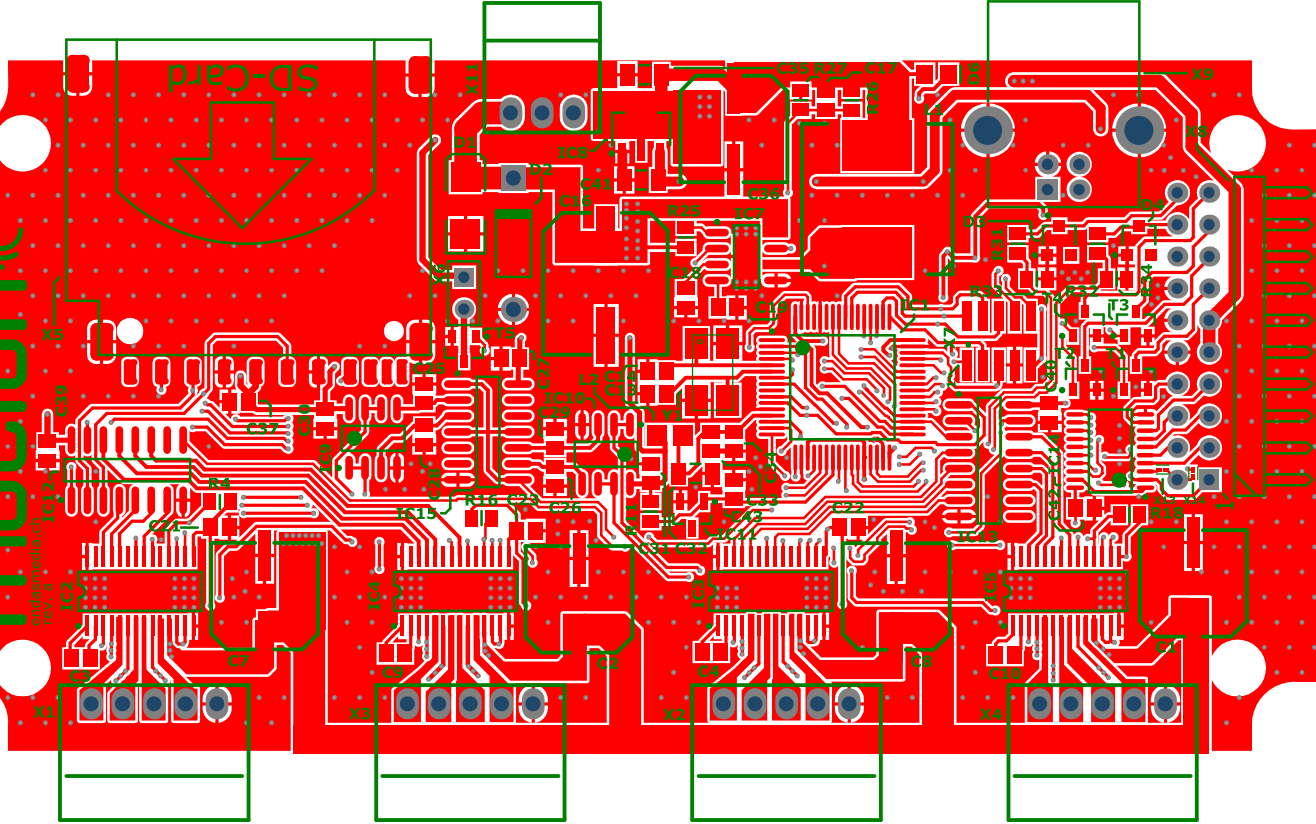
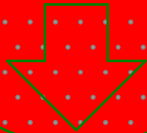
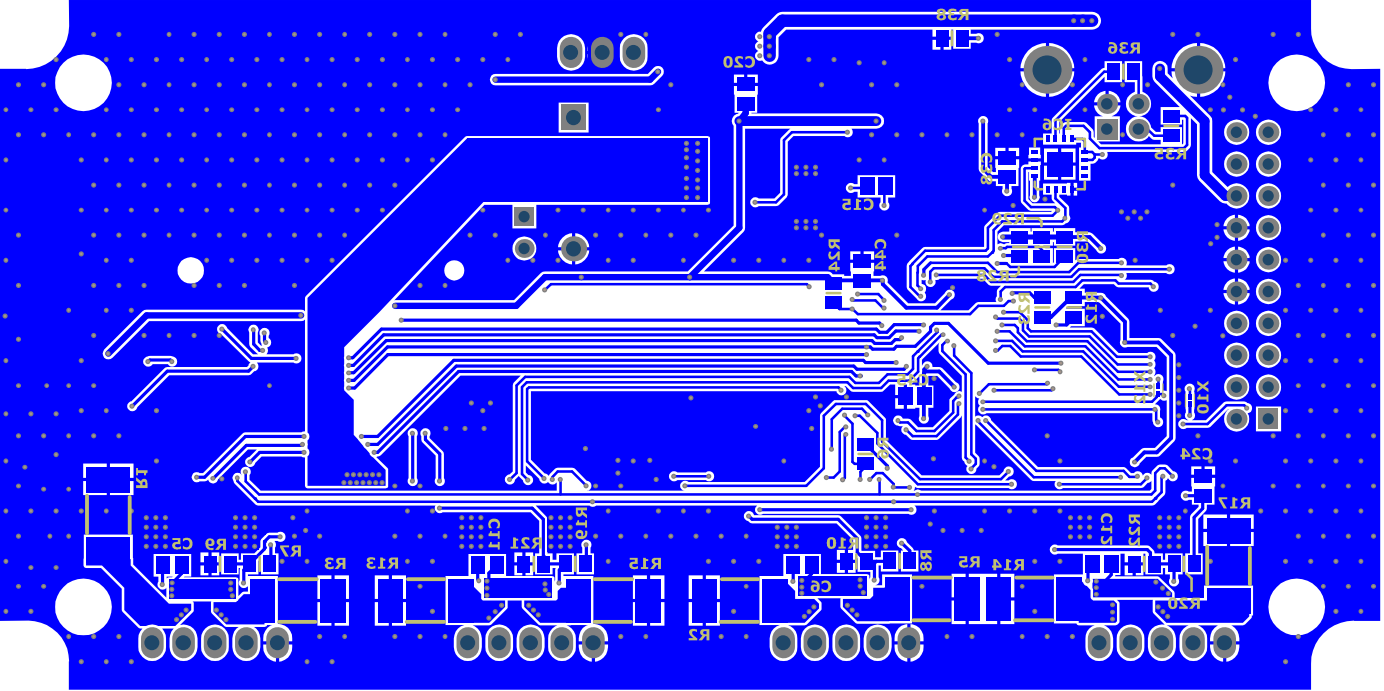


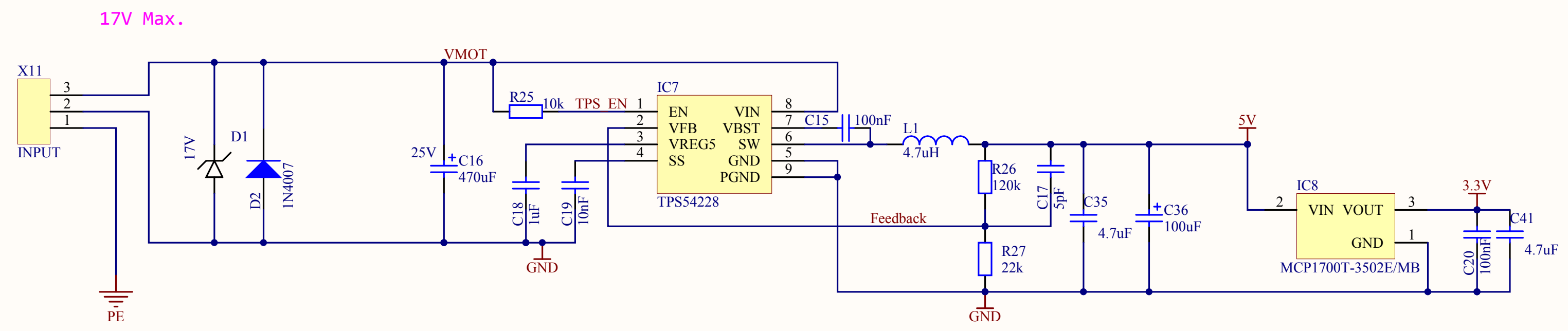
**motion**

endasmmedia.cn  
rev. a

SD-Card







Title		
Size	Number	Revision
A4		
Date:	15.08.2014	Sheet of
File:	F:\Benutzer\...\POWER.SchDoc	Drawn By:

A

B

C

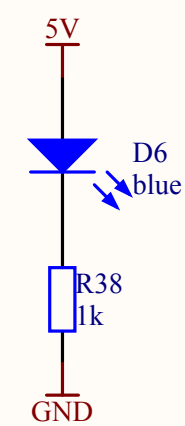
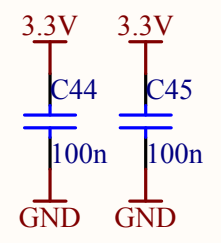
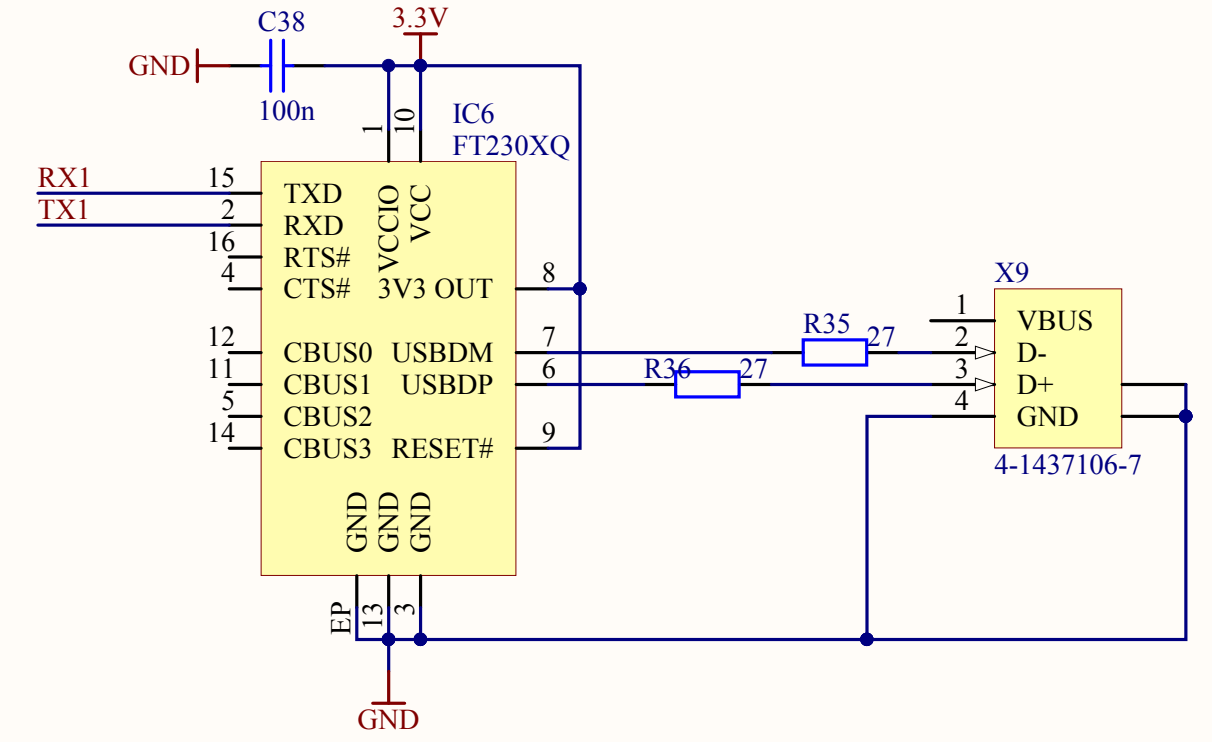
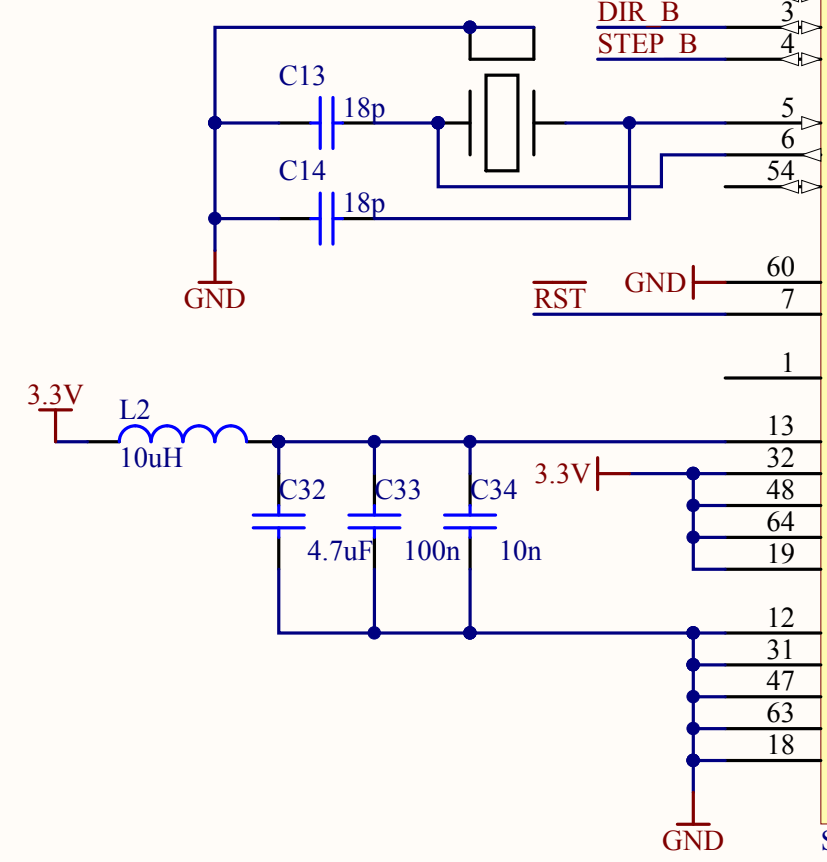
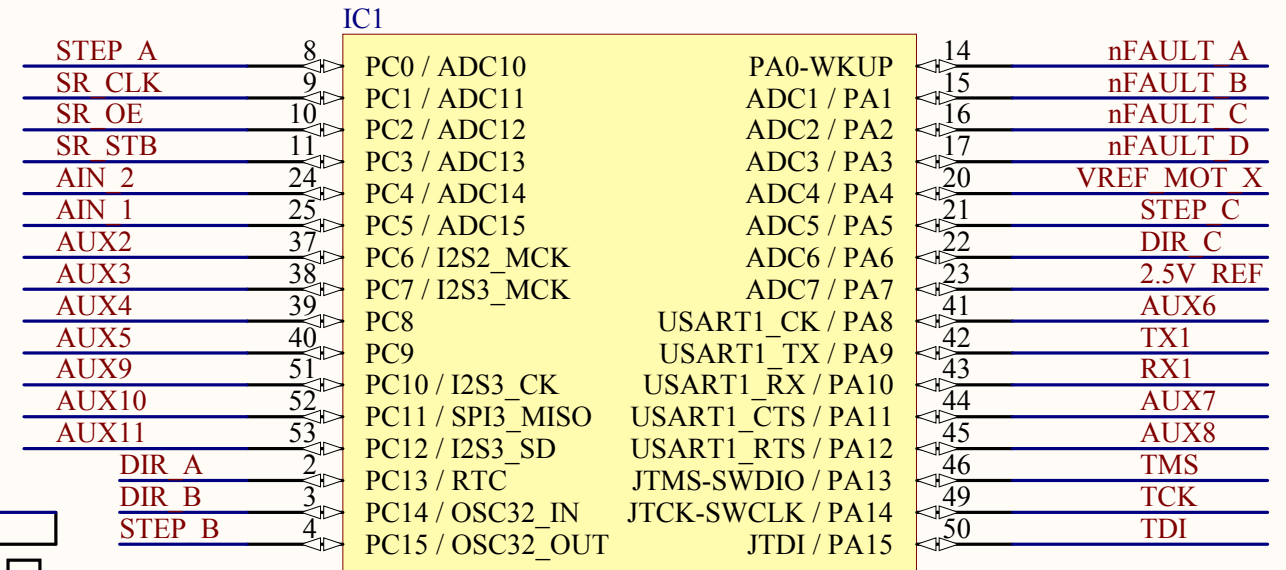
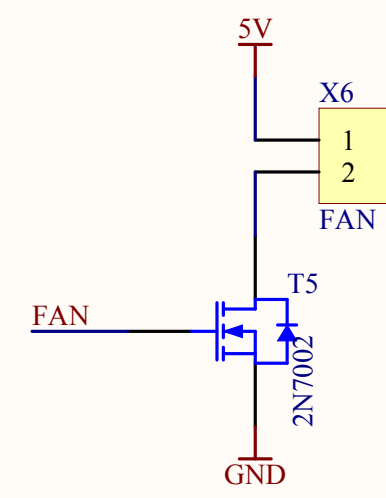
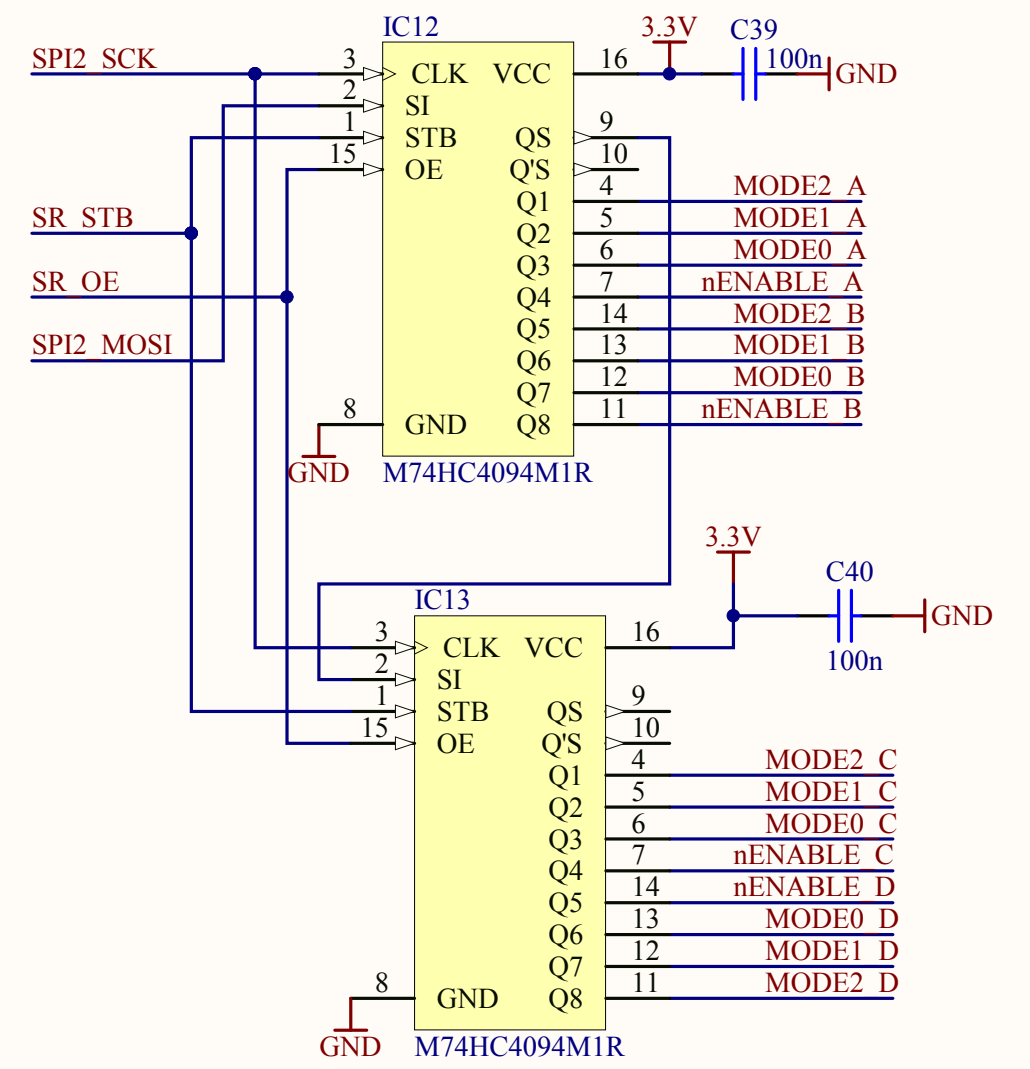
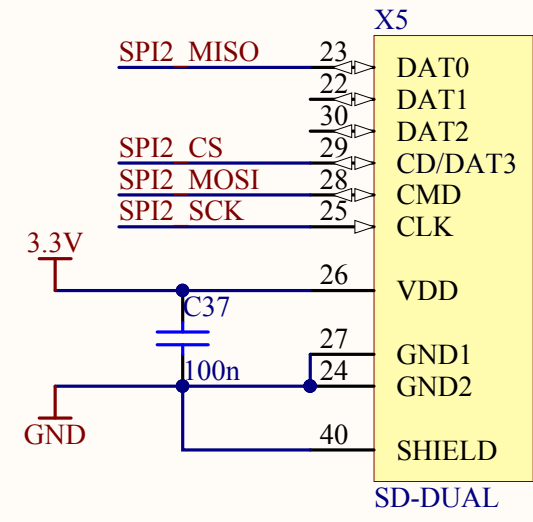
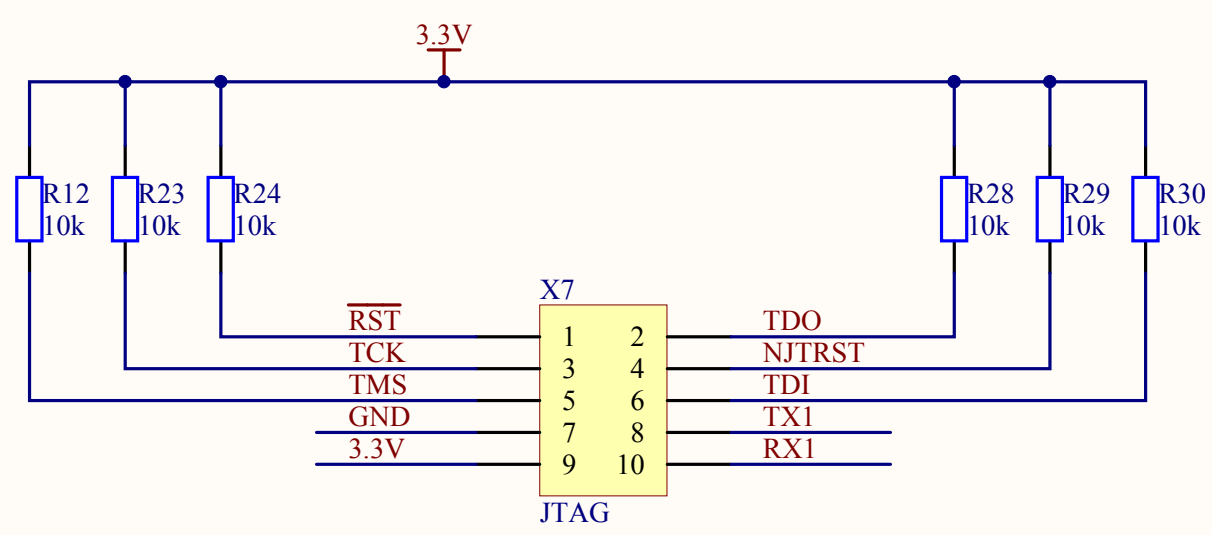
D

A

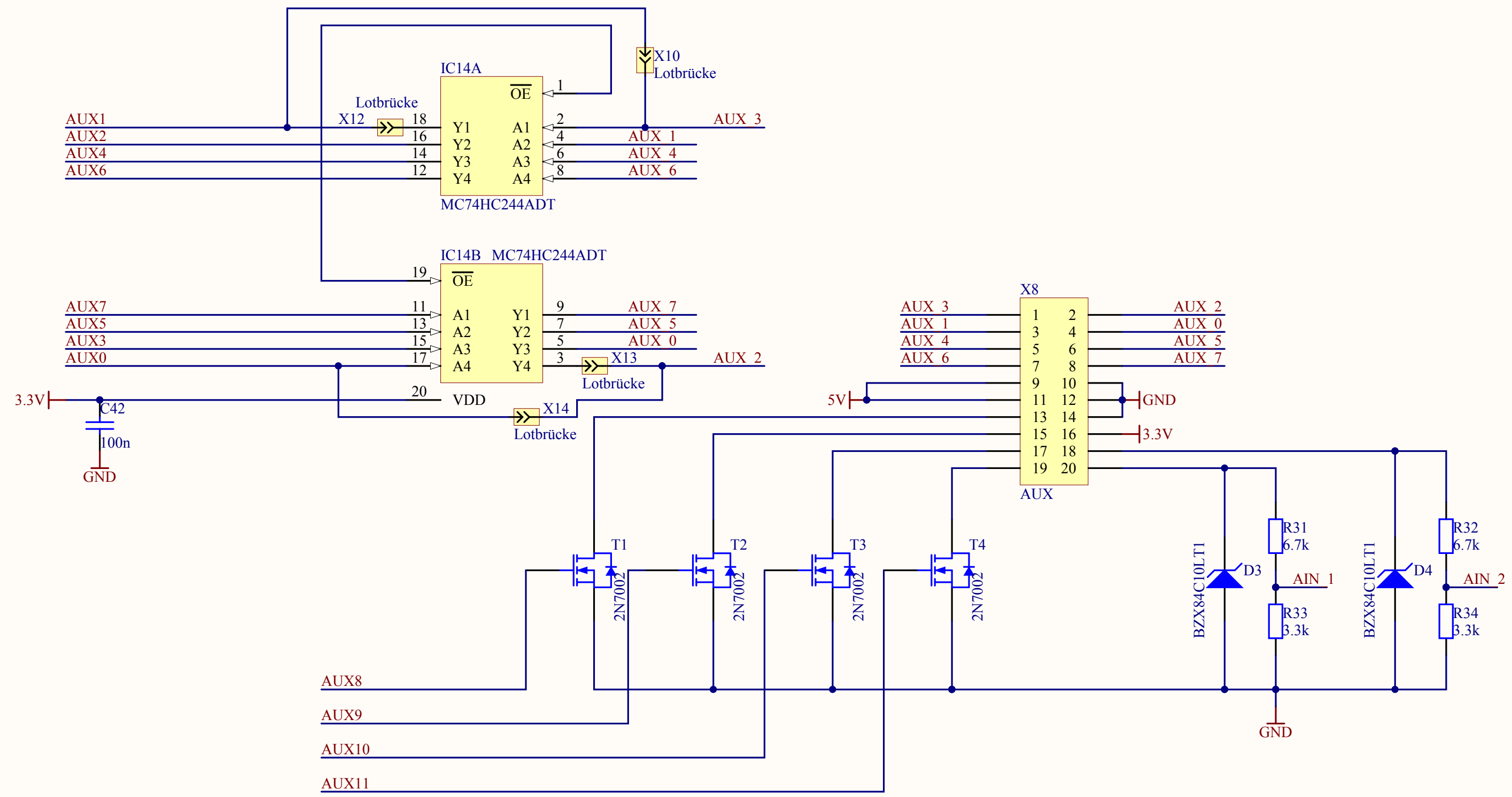
B

C

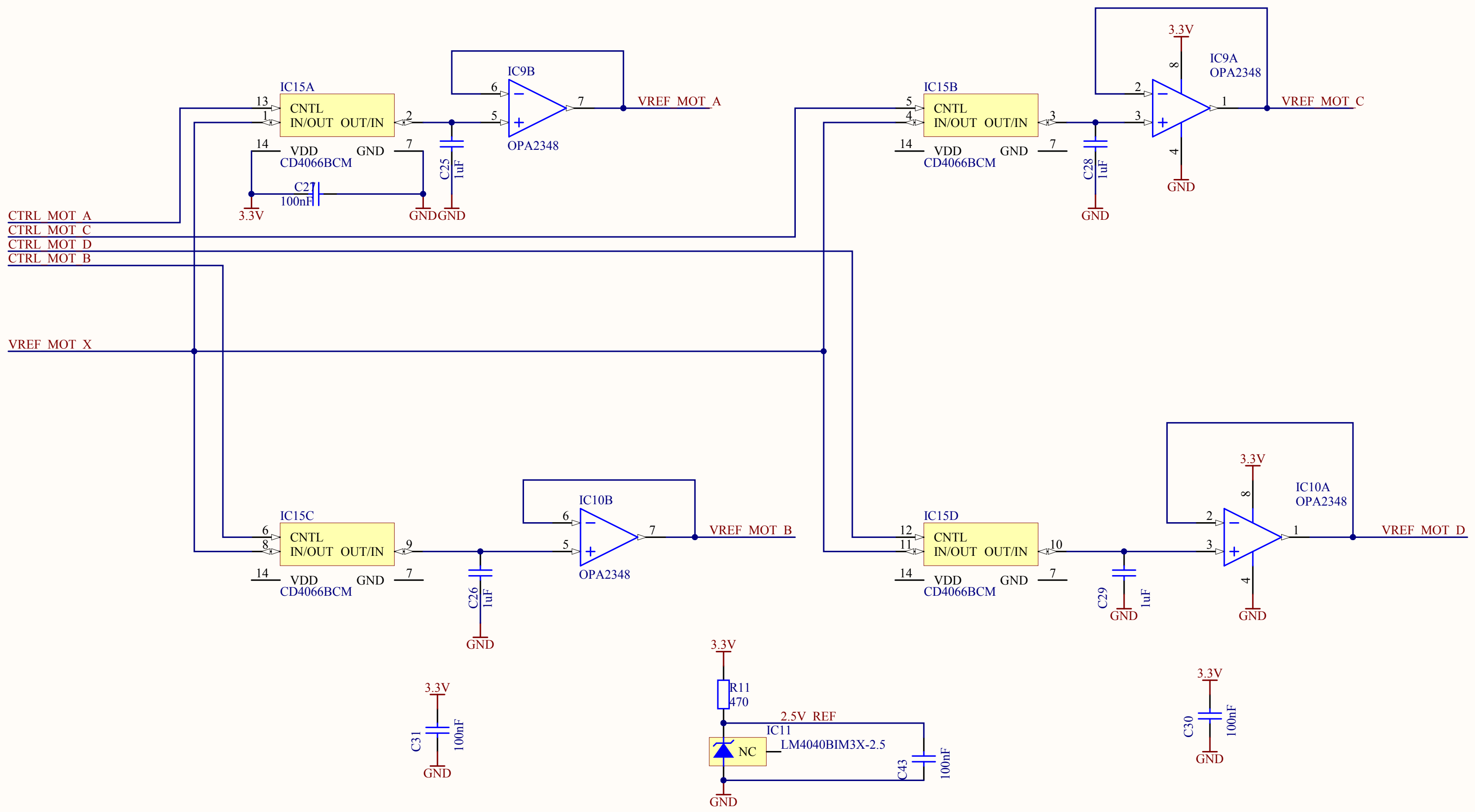
D



Title		
Size	Number	Revision
A4		
Date:	15.08.2014	Sheet of
File:	F:\Benutzer\...\MCU.SchDoc	Drawn By:



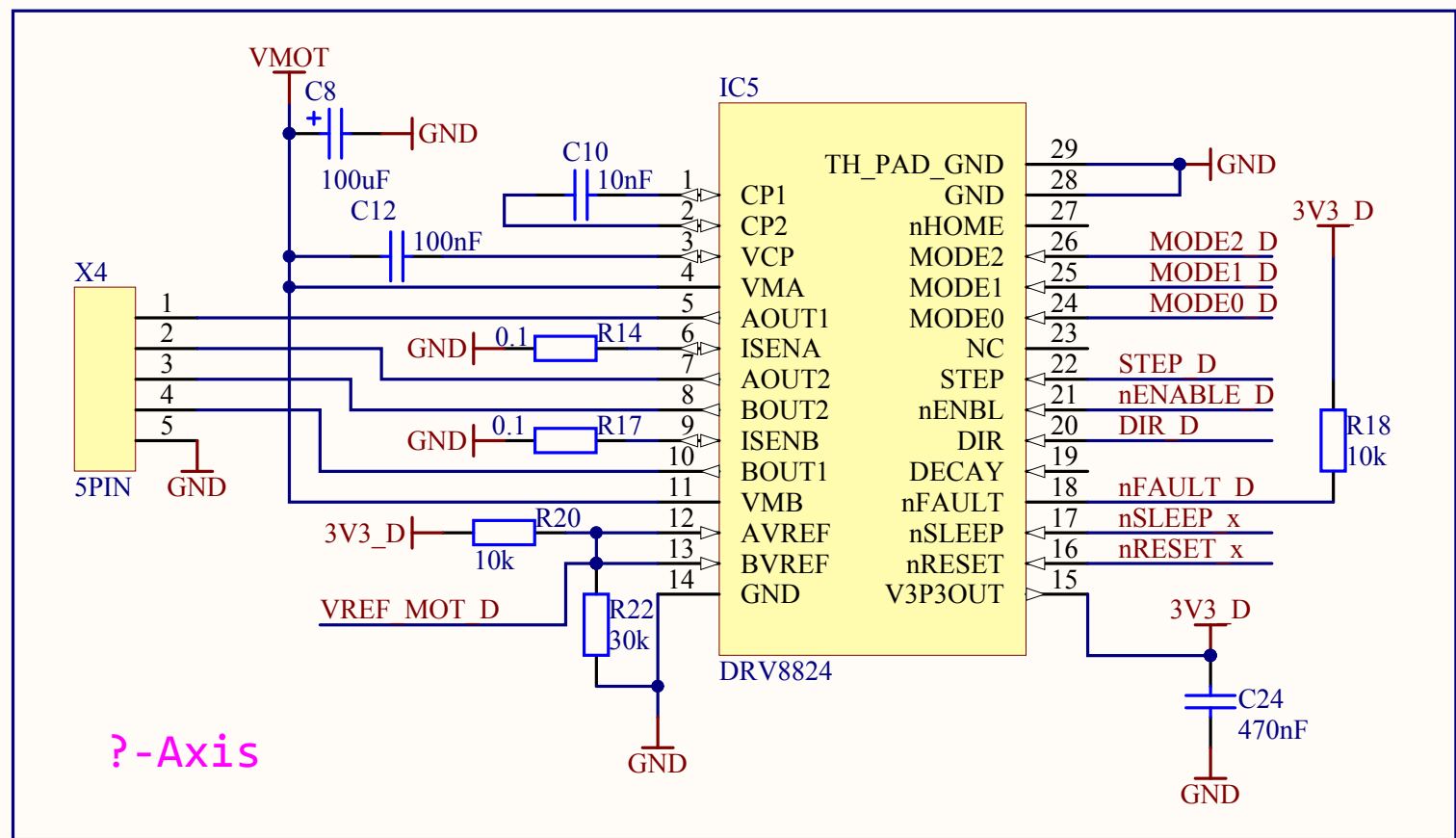
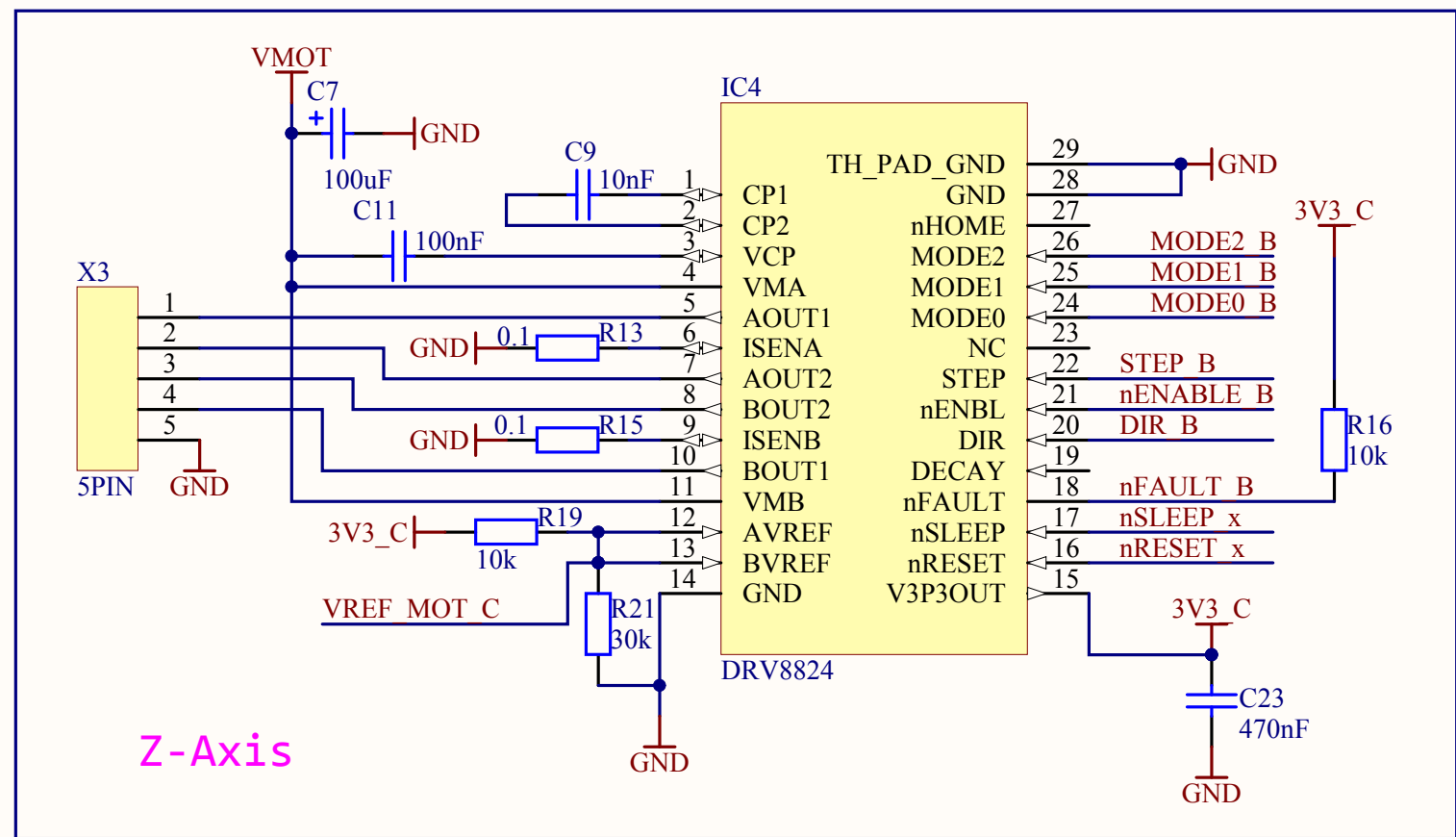
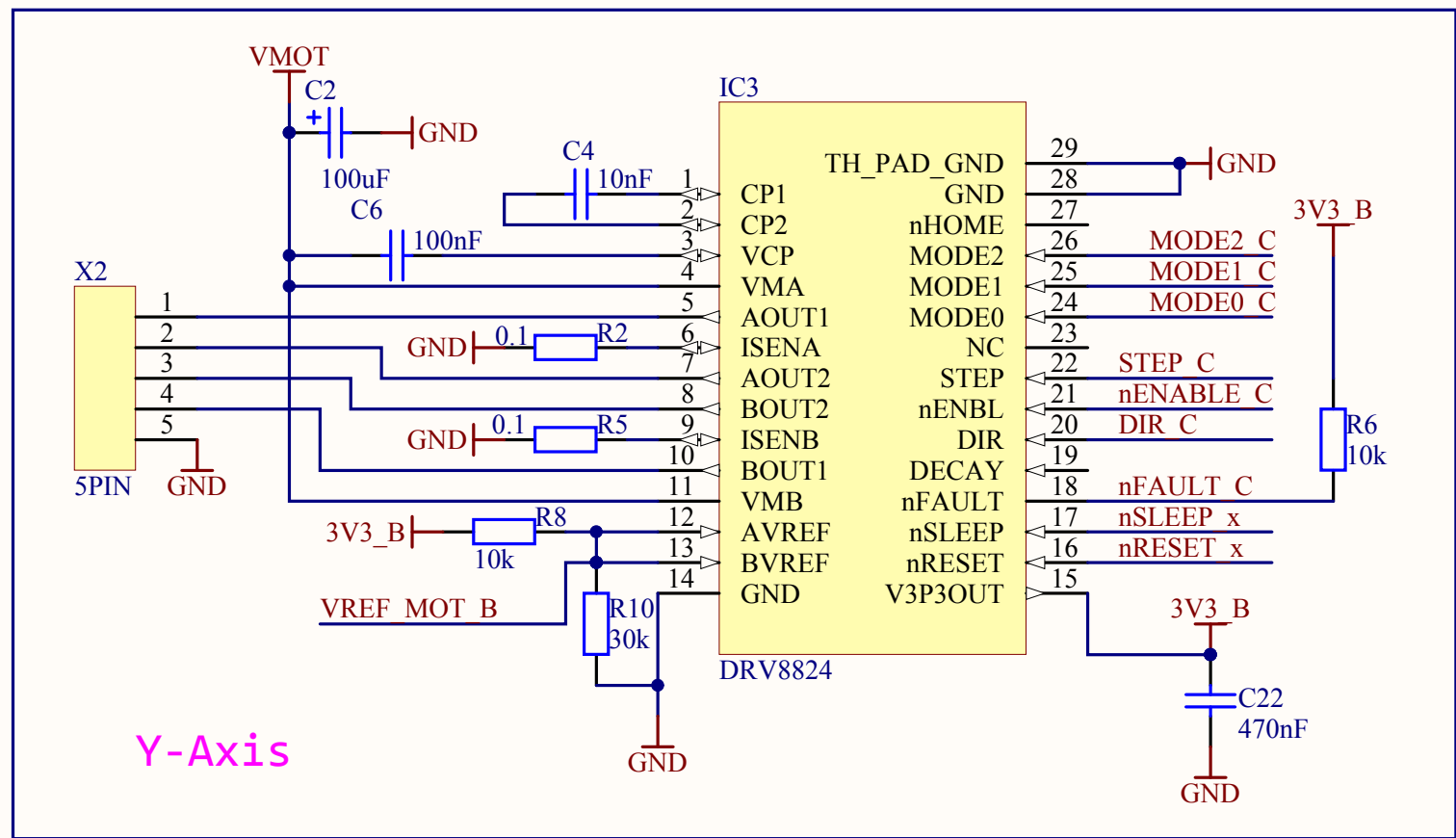
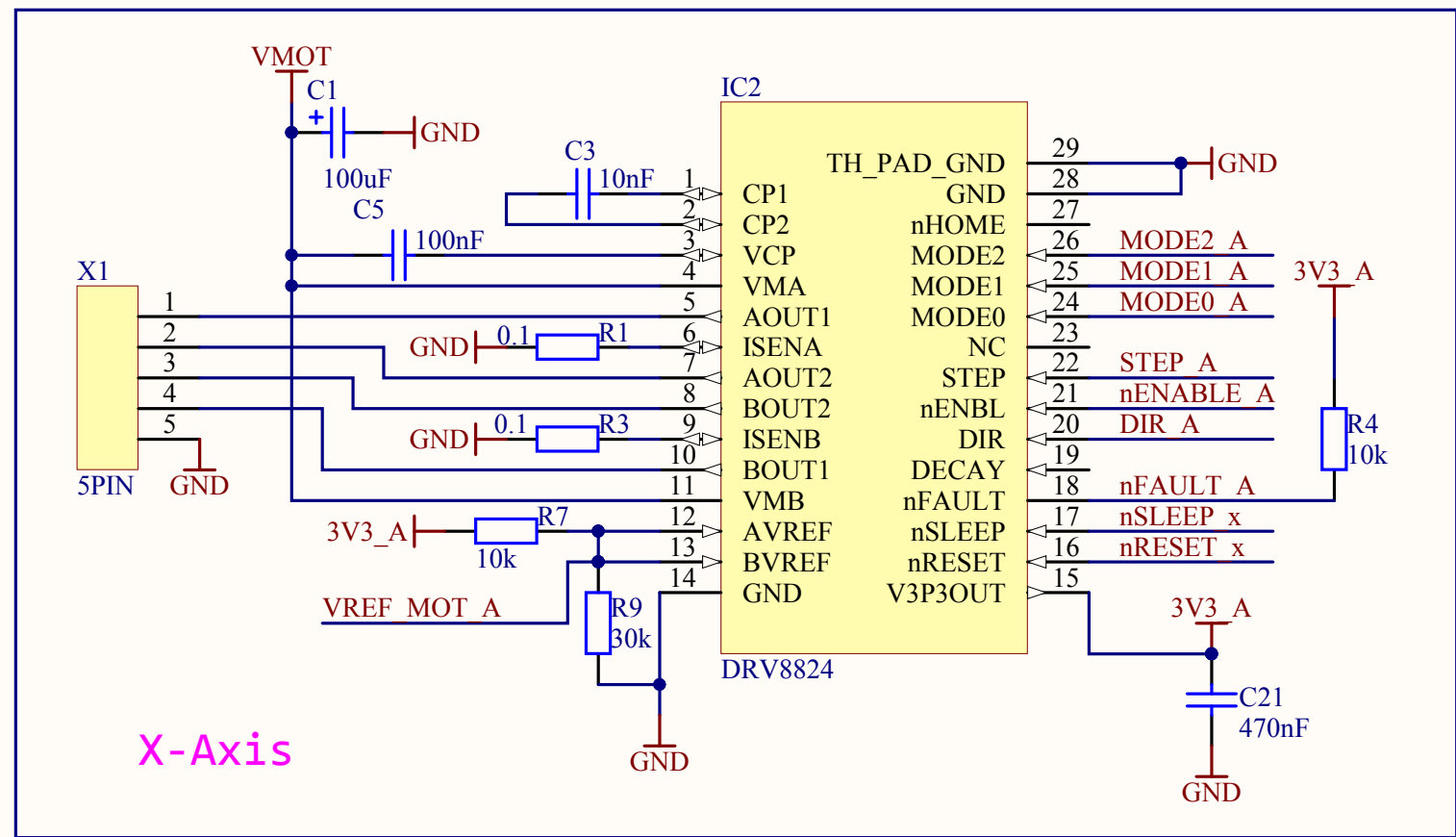
Title		
Size	Number	Revision
A4		
Date:	15.08.2014	Sheet of
File:	F:\Benutzer\...\Connectors.SchDoc	Drawn By:



CTRL MOT A  
 CTRL MOT C  
 CTRL MOT D  
 CTRL MOT B

VREF MOT X

Title		
Size	Number	Revision
A4		
Date:	15.08.2014	Sheet of
File:	F:\Benutzer\...\Analog.SchDoc	Drawn By:



Title		
Size	Number	Revision
A4		
Date:	15.08.2014	Sheet of
File:	F:\Benutzer\...\Motor.SchDoc	Drawn By:



# Stückliste

baseboard.PrjPcb

Project: baseboard.PrjPcb

Variant: None

Creation Date: 15.08.2014

Print Date: 15-Aug-14 12:06:12

Designator	Value	Footprint	Comment	Description	MPN	Quantity
C1	100uF	SMD_Elko_8x6.2	Cap Pol2	Polarized Capacitor (Axial)	UUR1E101MCL1GS	1
C2	100uF	SMD_Elko_8x6.2	Cap Pol2	Polarized Capacitor (Axial)	UUR1E101MCL1GS	1
C3	10nF	CAPC2012L	Cap	Capacitor		1
C4	10nF	CAPC2012L	Cap	Capacitor		1
C5	100nF	CAPC2012L	Cap	Capacitor		1
C6	100nF	CAPC2012L	Cap	Capacitor		1
C7	100uF	SMD_Elko_8x6.2	Cap Pol2	Polarized Capacitor (Axial)	UUR1E101MCL1GS	1
C8	100uF	SMD_Elko_8x6.2	Cap Pol2	Polarized Capacitor (Axial)	UUR1E101MCL1GS	1
C9	10nF	CAPC2012L	Cap	Capacitor		1
C10	10nF	CAPC2012L	Cap	Capacitor		1
C11	100nF	CAPC2012L	Cap	Capacitor		1
C12	100nF	CAPC2012L	Cap	Capacitor		1
C13	18p	CAPC2012L	Cap	Capacitor		1
C14	18p	CAPC2012L	Cap	Capacitor		1
C15	100nF	CAPC2012L	Cap	Capacitor		1
C16	470uF	SMD_Elko_G_Panasonic	25V	Polarized Capacitor (Axial)		1
C17	5pF	CAPC2012L	Cap	Capacitor		1
C18	1uF	CAPC2012L	Cap	Capacitor		1
C19	10nF	CAPC2012L	Cap	Capacitor		1
C20	100nF	CAPC2012L	Cap	Capacitor		1
C21	470nF	CAPC2012L	Cap	Capacitor		1
C22	470nF	CAPC2012L	Cap	Capacitor		1
C23	470nF	CAPC2012L	Cap	Capacitor		1
C24	470nF	CAPC2012L	Cap	Capacitor		1
C25	1uF	CAPC2012L	Cap	Capacitor		1
C26	1uF	CAPC2012L	Cap	Capacitor		1
C27	100nF	CAPC2012L	Cap	Capacitor		1
C28	1uF	CAPC2012L	Cap	Capacitor		1
C29	1uF	CAPC2012L	Cap	Capacitor		1
C30	100nF	CAPC2012L	Cap	Capacitor		1
C31	100nF	CAPC2012L	Cap	Capacitor		1
C32	4.7uF	CAPC3216L_3D	Cap	Capacitor		1
C33	100n	CAPC2012L	Cap	Capacitor		1
C34	10n	CAPC2012L	Cap	Capacitor		1
C35	4.7uF	CAPC3216L_3D	Cap	Capacitor		1
C36	100uF	SMD_Elko_8x6.2	Cap Pol2	Polarized Capacitor (Axial)	UUR1E101MCL1GS	1
C37	100n	CAPC2012L	Cap	Capacitor		1
C38	100n	CAPC2012L	Cap	Capacitor		1
C39	100n	CAPC2012L	Cap	Capacitor		1
C40	100n	CAPC2012L	Cap	Capacitor		1
C41	4.7uF	CAPC3216L_3D	Cap	Capacitor		1
C42	100n	CAPC2012L	Cap	Capacitor		1
C43	100nF	CAPC2012L	Cap	Capacitor		1
C44	100n	CAPC2012L	Cap	Capacitor		1
C45	100n	CAPC2012L	Cap	Capacitor		1
D1		DSO-C2/X2.3	17V		SMBJ10A-E3	1
D2		DO-41	1N4007	1.0 Ampere General Purpose Rectifier		1
D3		318-07	BZ84C10LT1	Zener Voltage Regulator Diode		1
D4		318-07	BZ84C10LT1	Zener Voltage Regulator Diode		1
D6		LED_0805	blue	Typical INFRARED GaAs LED		1
IC1		TSQFP50P1200X1200-64M	STM32F105RB			1
IC2		PWP028	DRV8824			1
IC3		PWP028	DRV8824			1
IC4		PWP028	DRV8824			1
IC5		PWP028	DRV8824			1
IC6		QFN_16_FTDI	FT230XL			1
IC7		D008_L_Power	TPS54228			1
IC8		SOT-89-MB3_N	MCP1700T-3502E/MB	Low Quiescent Current LDO, 3-Pin SOT-89, Extended Temperature, Tape and Reel		1
IC9		SOIC_8_N	OPA2348		OPA2348AIDR	1
IC10		SOIC_8_N	OPA2348		OPA2348AIDR	1
IC11		MF03A_N	LM4040BIM3X-2.5	Precision Micropower Shunt Voltage Reference, 3-pin SOT-23		1
IC12		SO16_N	M74HC4094M1R	8 Bit SIPO Shift Latch Register (3-State)		1
IC13		SO16_N	M74HC4094M1R	8 Bit SIPO Shift Latch Register (3-State)		1
IC14		948E-02_L	MC74HC244ADT	Octal 3-State Non-Inverting Buffer/Line Driver/Line Receiver		1
IC15		M14A_N	CD4066BCM	Quad Bilateral Switch		1
L1	4.7uH	MSS1260	Inductor	Inductor		1
L2	10uH	INDC2012M	Inductor	Inductor		1
R1	0.1	RES_2512	Res2	CRL2512-JW-R100ELF	CRL2512-JW-R100ELF	1
R2	0.1	RES_2512	Res2	CRL2512-JW-R100ELF	CRL2512-JW-R100ELF	1
R3	0.1	RES_2512	Res2	Resistor	CRL2512-JW-R100ELF	1
R4	10k	RESC2012L	Res2	Resistor		1
R5	0.1	RES_2512	Res2	Resistor	CRL2512-JW-R100ELF	1
R6	10k	RESC2012L	Res2	Resistor		1
R7	10k	RESC2012L	Res2	Resistor		1
R8	10k	RESC2012L	Res2	Resistor		1
R9	30k	RESC2012L	Res2	Resistor		1
R10	30k	RESC2012L	Res2	Resistor		1
R11	470	RESC2012L	Res2	Resistor		1
R12	10k	RESC2012L	Res2	Resistor		1
R13	0.1	RES_2512	Res2	CRL2512-JW-R100ELF	CRL2512-JW-R100ELF	1
R14	0.1	RES_2512	Res2	CRL2512-JW-R100ELF	CRL2512-JW-R100ELF	1
R15	0.1	RES_2512	Res2	Resistor	CRL2512-JW-R100ELF	1
R16	10k	RESC2012L	Res2	Resistor		1
R17	0.1	RES_2512	Res2	Resistor	CRL2512-JW-R100ELF	1
R18	10k	RESC2012L	Res2	Resistor		1
R19	10k	RESC2012L	Res2	Resistor		1
R20	10k	RESC2012L	Res2	Resistor		1
R21	30k	RESC2012L	Res2	Resistor		1
R22	30k	RESC2012L	Res2	Resistor		1
R23	10k	RESC2012L	Res2	Resistor		1
R24	10k	RESC2012L	Res2	Resistor		1
R25	10k	RESC2012L	Res2	Resistor		1
R26	120k	RESC2012L	Res2	Resistor		1
R27	22k	RESC2012L	Res2	Resistor		1
R28	10k	RESC2012L	Res2	Resistor		1
R29	10k	RESC2012L	Res2	Resistor		1
R30	10k	RESC2012L	Res2	Resistor		1
R31	6.7k	RESC2012L	Res2	Resistor		1
R32	6.7k	RESC2012L	Res2	Resistor		1
R33	3.3k	RESC2012L	Res2	Resistor		1
R34	3.3k	RESC2012L	Res2	Resistor		1
R35	27	RESC2012L	Res2	Resistor		1
R36	27	RESC2012L	Res2	Resistor		1
R38	1k	RESC2012L	Res2	Resistor		1
T1		SOT23_L	2N7002	N-channel Enhancement Mode Field-effect Transistor		1
T2		SOT23_L	2N7002	N-channel Enhancement Mode Field-effect Transistor		1
T3		SOT23_L	2N7002	N-channel Enhancement Mode Field-effect Transistor		1
T4		SOT23_L	2N7002	N-channel Enhancement Mode Field-effect Transistor		1
T5		SOT23_L	2N7002	N-channel Enhancement Mode Field-effect Transistor		1
X1		1881477_PHOENIX	5PIN			1
X2		1881477_PHOENIX	5PIN			1
X3		1881477_PHOENIX	5PIN			1
X4		1881477_PHOENIX	5PIN			1
X5		SD-Card_A-SD-09-C-0-7-3	SD-DUAL			1
X6		HDR1X2	FAN	Header, 2-Pin		1
X7		HARWIN_5x2x1.27mm	JTAG	Stiftleiste, 2x5, 1.27mm		1
X8		HDR2X10H	AUX	Header, 10-Pin, Dual row, Right Angle	90122-0770, Molex	1
X9		USB_Typ_B	4-1437106-7	USB 1.1, Right Angle, Thru-Hole, B Type, Receptacle, 4 Position, White		1
X10		LOETBRUECKE	Lotbrücke			1
X11		1881451_PHOENIX	INPUT			1
X12		LOETBRUECKE	Lotbrücke			1
X13		LOETBRUECKE	Lotbrücke			1
X14		LOETBRUECKE	Lotbrücke			1
Y1		Crystal_6035	crystal			1

124

Freigegeben	Bemerkungen