



# LC78211, 78212, 78213

## Analog Function Switch

### Applications

Function switching under serial data control in amplifiers, receivers, and other electronic equipment

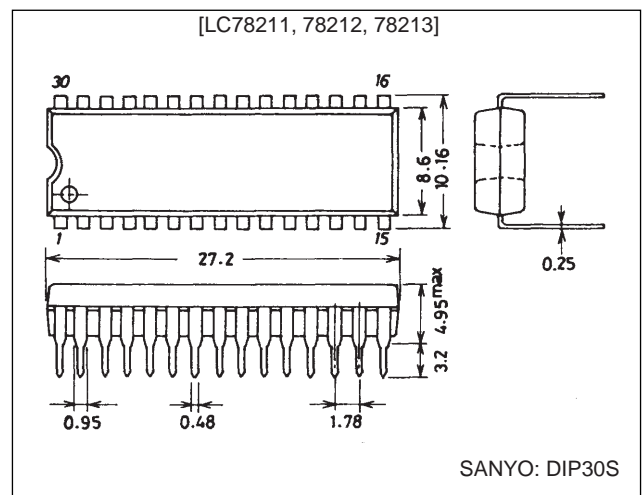
### Features

- Two sets of eight (or in the LC78213, seven) built-in circuits with three switching configurations available based on differing internal connections
- Control according to serial data sent from a microprocessor, and easy connection to 5 V microprocessors
- Two identical products can be connected to a shared bus due to the provision of a select pin (S).
- A reset pin that turns off all analog switches
- A  $\pm 20$  V withstand voltage rating allows these products to provide a wide dynamic range.

### Package Dimensions

unit: mm

3061-DIP30S

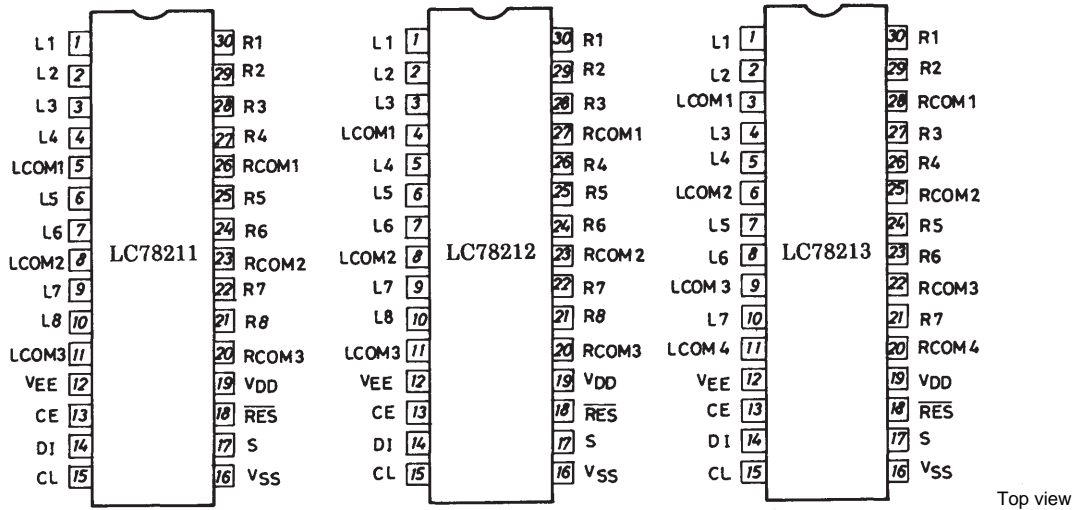


### Specifications

#### Absolute Maximum Ratings at $T_a = 25^\circ\text{C}$

Parameter	Symbol	Conditions	Ratings	Unit
Maximum supply voltage	$V_{DD \text{ max}}$	$V_{DD}$	-0.3 to +20	V
	$V_{EE \text{ max}}$	$V_{EE}$	-20 to +0.3	V
Maximum input voltage	$V_{I1}$	DI, CL, CE, S, $\overline{\text{RES}}$	-0.3 to +20	V
	$V_{I2}$	L1 to L8, R1 to R8, LCOM1 to LCOM4, RCOM1 to RCOM4	$V_{EE} - 0.3$ to $V_{DD} + 0.3$	V
Analog switch potential difference when on	$\Delta V_{ON}$	With the switch on	0.5	V
Allowable power dissipation	$P_d \text{ max}$	$T_a \leq 75^\circ\text{C}$	100	mW
Operating temperature range	$T_{opr}$		-30 to +75	$^\circ\text{C}$
Storage temperature range	$T_{stg}$		-40 to +125	$^\circ\text{C}$

Pin Assignments

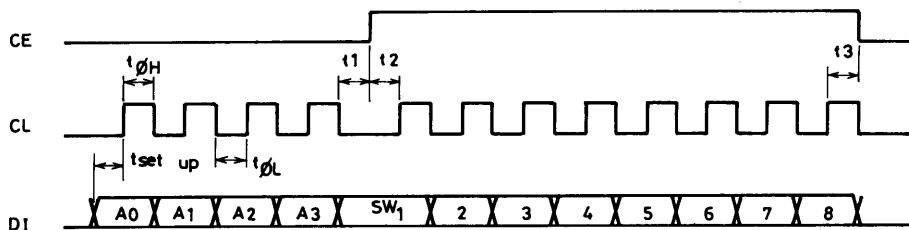


Top view

Allowable Operating Ranges at  $T_a = 25^\circ\text{C}$ ,  $V_{SS} = 0\text{ V}$ ,  $|V_{DD}| \geq |V_{EE}|$

Parameter	Symbol	Conditions	min	typ	max	Unit
Maximum supply voltage	$V_{DD}$	$V_{DD} - V_{EE} \geq 12\text{ V}$ ; $V_{DD}$	6.0		18.5	V
	$V_{EE}$	$V_{DD} - V_{EE} \geq 12\text{ V}$ ; $V_{EE}$	-18.5		0	V
Input high level voltage	$V_{IH1}$	DI, CL, CE	4.0		18.5	V
	$V_{IH2}$	S, RES	$0.7 V_{DD}$		$V_{DD}$	V
Input low level voltage	$V_{IL1}$	DI, CL, CE	0		0.7	V
	$V_{IL2}$	S, RES	0		$0.3 V_{DD}$	V
Analog switch input voltage range	$V_{IN}$	L1 to L8, R1 to R8, LCOM1 to LCOM4, RCOM1 to RCOM4	$V_{EE}$		$V_{DD}$	V
Low level clock pulse width	$t_{\phi L}$	CL	0.5			$\mu\text{s}$
High level clock pulse width	$t_{\phi H}$	CL	0.5			$\mu\text{s}$
Setup time	$t_{\text{set up}}$	CL, DI	0.5			$\mu\text{s}$
	$t1^*$	CL, CE	0.5			$\mu\text{s}$
	$t2^*$	CL, CE	0.5			$\mu\text{s}$
	$t3^*$	CL, CE	0.5			$\mu\text{s}$
Minimum reset pulse width	$t_{wRES}$	$V_{DD} \geq 6\text{ V}$ ; $\overline{\text{RES}}$	1.0			$\mu\text{s}$
Hysteresis	$V_H$	CL, CE, DI	0.3			V

Note: \* CE, CL and DI waveforms

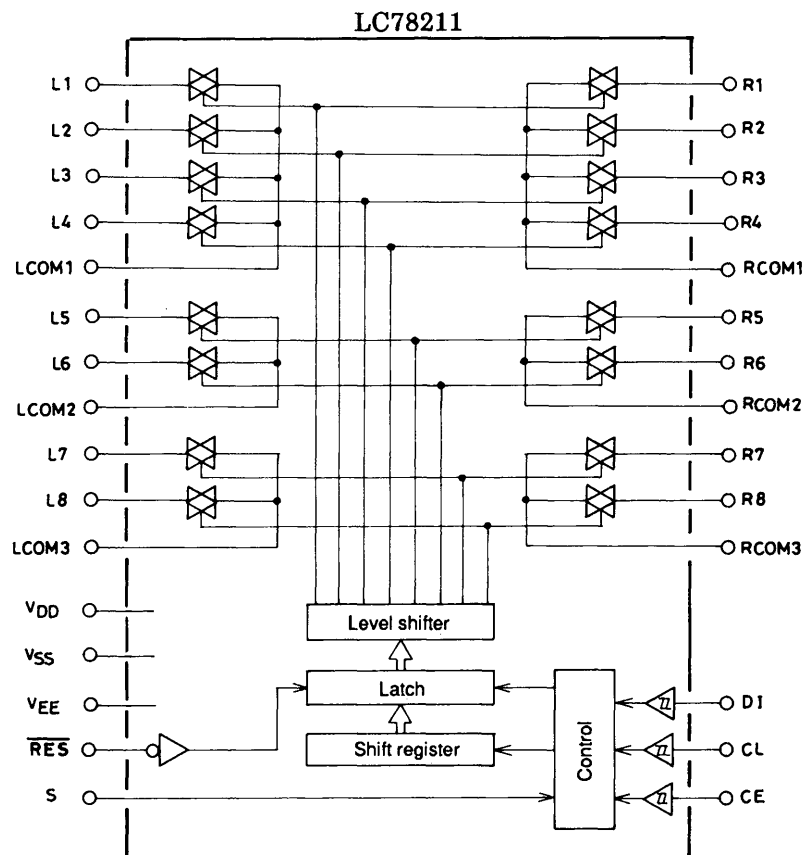


## LC78211, 78212, 78213

### Electrical Characteristics at $T_a = 25^\circ\text{C}$ , $V_{SS} = 0\text{ V}$

Parameter	Symbol	Conditions	min	typ	max	Unit
Analog switch on resistance	$R_{ON1}$	$I = 1\text{ mA}$ , $V_{DD} - V_{EE} = 12\text{ V}$ : L1 to L8, R1 to R8, LCOM1 to LCOM4, RCOM1 to RCOM4		150		$\Omega$
	$R_{ON2}$	$I = 1\text{ mA}$ , $V_{DD} - V_{EE} = 37\text{ V}$ : L1 to L8, R1 to R8, LCOM1 to LCOM4, RCOM1 to RCOM4		70		$\Omega$
Total harmonic distortion	THD1	$V_{IN} = 1\text{ V}_{rms}$ , $f = 1\text{ kHz}$ , $V_{DD} - V_{EE} = 37\text{ V}$ : L1 to L8, R1 to R8, LCOM1 to LCOM4, RCOM1 to RCOM4		0.0015	0.01	%
	THD2	$V_{IN} = 0.1\text{ V}_{rms}$ , $f = 1\text{ kHz}$ , $V_{DD} - V_{EE} = 37\text{ V}$ : L1 to L8, R1 to R8, LCOM1 to LCOM4, RCOM1 to RCOM4		0.01	0.05	%
Feedthrough	$F_{TH}$	$V_{IN} = 0\text{ dBV}$ , $f = 10\text{ kHz}$ , $V_{DD} - V_{EE} = 37\text{ V}$ : L1 to L8, R1 to R8, LCOM1 to LCOM4, RCOM1 to RCOM4		55		dB
Crosstalk	CT	$V_{IN} = 0\text{ dBV}$ , $f = 10\text{ kHz}$ , $V_{DD} - V_{EE} = 37\text{ V}$ : L1 to L8, R1 to R8, LCOM1 to LCOM4, RCOM1 to RCOM4		75		dB
Input high level current	$I_{IH}$	$V_I = 18.5\text{ V}$ : DI, CL, CE, S, $\overline{\text{RES}}$			+10	$\mu\text{A}$
Input low level current	$I_{IL}$	$V_I = 0\text{ V}$ : DI, CL, CE, S, RES	-10			$\mu\text{A}$
Analog switch leakage current (off state)	$I_{OFF}$	$V_I = V_{EE}$ to $V_{EE} + 37\text{ V}$ : L1 to L8, R1 to R8, LCOM1 to LCOM4, RCOM1 to RCOM4	-10		+10	$\mu\text{A}$
Current drain	$I_{DD}$	$V_{DD}$			1.0	mA

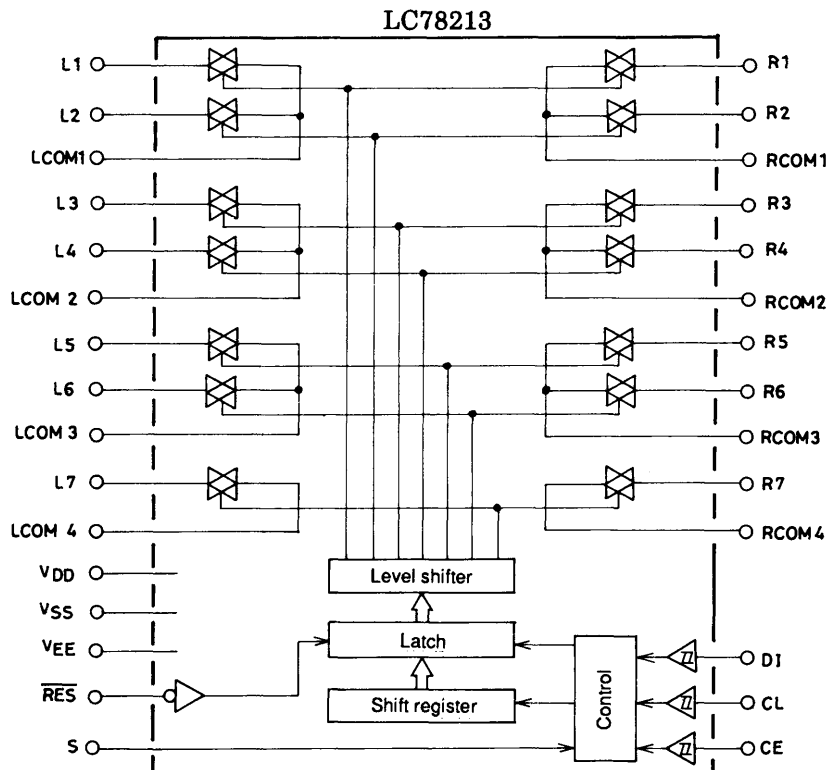
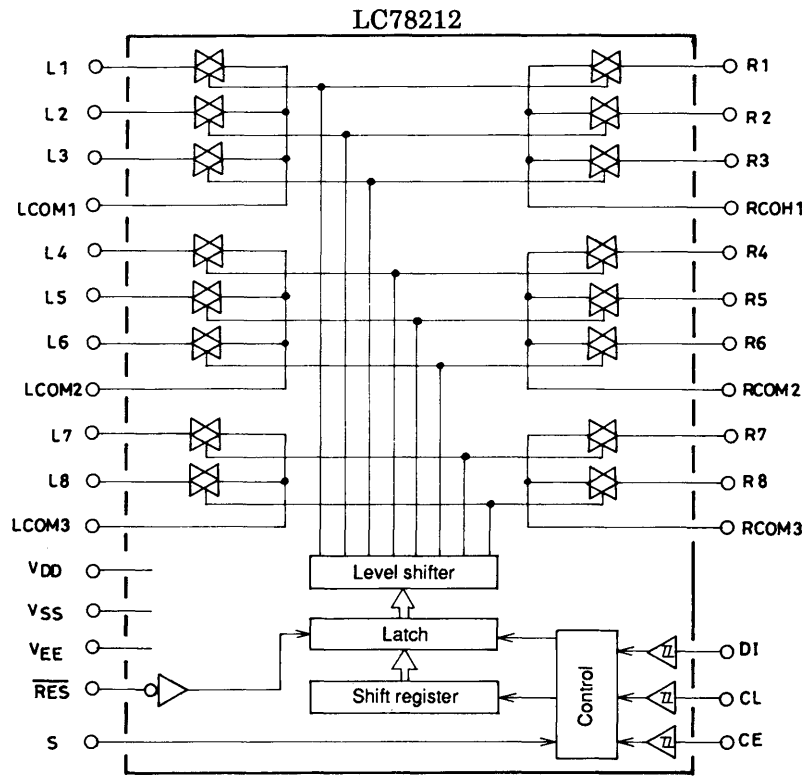
### Equivalent Circuit Block Diagrams



Continued on next page.

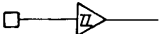

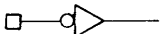
LC78211, 78212, 78213

Continued from preceding page.



## LC78211, 78212, 78213

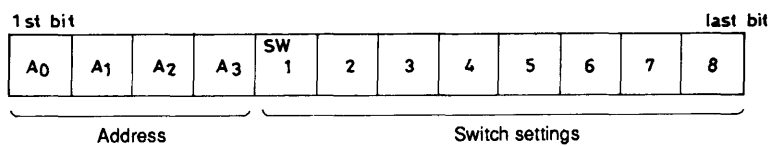
### Pin Functions

Pin	I/O	Internal equivalent circuit	Pin function																																											
V <sub>DD</sub> , V <sub>SS</sub> , V <sub>EE</sub>			Power supply																																											
L1 to L8, R1 to R8, LCOM1 to LCOM4, RCOM1 to RCOM4		See the block diagram.	Analog switch input and output																																											
CL, DI, CE	I		Serial data input (Schmitt buffer) CL.....Clock input DI.....Data input CE.....Chip enable																																											
S	I		Selection of one of two chips The address is set to the values shown in the table below according to the level input to the S pin. <table border="1" style="margin-left: 20px;"> <thead> <tr> <th rowspan="2">Product</th> <th rowspan="2">S pin level</th> <th colspan="4">Address</th> </tr> <tr> <th>A<sub>0</sub></th> <th>A<sub>1</sub></th> <th>A<sub>2</sub></th> <th>A<sub>3</sub></th> </tr> </thead> <tbody> <tr> <td rowspan="2">LC78211</td> <td>L</td> <td>0</td> <td>1</td> <td>0</td> <td>1</td> </tr> <tr> <td>H</td> <td>1</td> <td>1</td> <td>0</td> <td>1</td> </tr> <tr> <td rowspan="2">LC78212</td> <td>L</td> <td>0</td> <td>0</td> <td>1</td> <td>1</td> </tr> <tr> <td>H</td> <td>1</td> <td>0</td> <td>1</td> <td>1</td> </tr> <tr> <td rowspan="2">LC78213</td> <td>L</td> <td>0</td> <td>1</td> <td>1</td> <td>1</td> </tr> <tr> <td>H</td> <td>1</td> <td>1</td> <td>1</td> <td>1</td> </tr> </tbody> </table>	Product	S pin level	Address				A <sub>0</sub>	A <sub>1</sub>	A <sub>2</sub>	A <sub>3</sub>	LC78211	L	0	1	0	1	H	1	1	0	1	LC78212	L	0	0	1	1	H	1	0	1	1	LC78213	L	0	1	1	1	H	1	1	1	1
Product	S pin level	Address																																												
		A <sub>0</sub>	A <sub>1</sub>	A <sub>2</sub>	A <sub>3</sub>																																									
LC78211	L	0	1	0	1																																									
	H	1	1	0	1																																									
LC78212	L	0	0	1	1																																									
	H	1	0	1	1																																									
LC78213	L	0	1	1	1																																									
	H	1	1	1	1																																									
$\overline{\text{RES}}$	I		Reset input The states of the analog switches are undefined when power is first applied. Setting this pin low will force all switches the off state.																																											

### Operation

#### 1. Data Input Procedure

The LC78211, LC78212 and LC78213 are controlled by inputting specified data to the CL, DI and CE pins. The input data consists of 12 bits, of which four bits are address and eight bits are data.



Bits correspond to the L1 to L8 and R1 to R8 analog switches, and a value of one turns the corresponding switch on, and a value of zero turns it off.

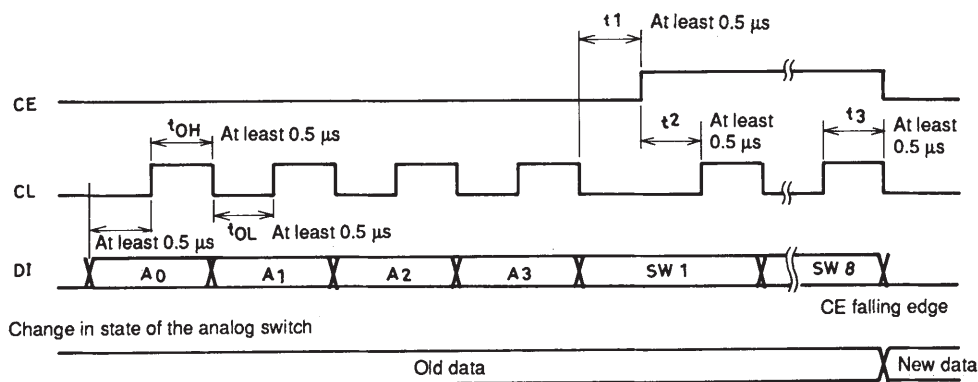
- 0.....Off
- 1.....On

The address is used when the chip is connected to a shared bus. The data (address) that must be transmitted depends on the S pin and the particular product as shown in the table below.

Product	S pin level	Address			
		A <sub>0</sub>	A <sub>1</sub>	A <sub>2</sub>	A <sub>3</sub>
LC78211	L	0	1	0	1
	H	1	1	0	1
LC78212	L	0	0	1	1
	H	1	0	1	1
LC78213	L	0	1	1	1
	H	1	1	1	1

Note: The bit for switch eight in the LC78213 is a “don’t care” bit, that is it can be either 0 or 1 without affecting chip function. This is because the LC78213 has two sets of seven (not eight) circuits.

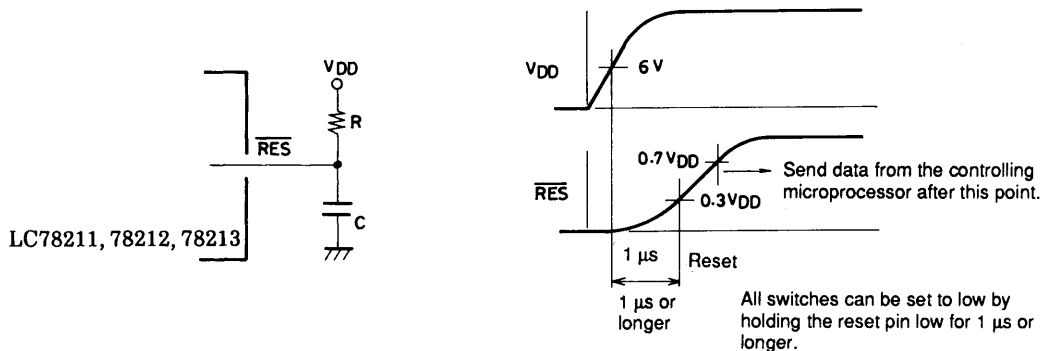
2. DI, CL and CE Timing



Data is read in on the rising edge of CL and latched on the falling edge of CE.

3. Notes on the Reset Pin

The states of the analog switches are undefined when power is first applied. However, it is possible to use the reset pin to force all switches to the off state by connecting an RC circuit to this pin.



4. Using a CCB Bus with Multiple ICs

The LC78211, LC78212 and LC78213 retain their prior state until they receive data with a matching address.

5. Replacing Earlier Models

Caution is required when replacing an LC7821N, LC7823N and LC7823N with an LC78211, LC78212 and LC78213, since the S pin threshold levels differ.

6. Handling of Unused Input Pins

We recommend connecting any unused switch pin to  $V_{SS}$  through a resistor of up to a few 100 k $\Omega$  to prevent damage from static electricity.

- No products described or contained herein are intended for use in surgical implants, life-support systems, aerospace equipment, nuclear power control systems, vehicles, disaster/crime-prevention equipment and the like, the failure of which may directly or indirectly cause injury, death or property loss.
- Anyone purchasing any products described or contained herein for an above-mentioned use shall:
  - ① Accept full responsibility and indemnify and defend SANYO ELECTRIC CO., LTD., its affiliates, subsidiaries and distributors and all their officers and employees, jointly and severally, against any and all claims and litigation and all damages, cost and expenses associated with such use:
  - ② Not impose any responsibility for any fault or negligence which may be cited in any such claim or litigation on SANYO ELECTRIC CO., LTD., its affiliates, subsidiaries and distributors or any of their officers and employees jointly or severally.
- Information (including circuit diagrams and circuit parameters) herein is for example only; it is not guaranteed for volume production. SANYO believes information herein is accurate and reliable, but no guarantees are made or implied regarding its use or any infringements of intellectual property rights or other rights of third parties.

This catalog provides information as of July, 1996. Specifications and information herein are subject to change without notice.