

Li-SO₂ primary battery system

BA 5590 High capacity

20% more capacity than regular BA 5590 B/U battery

10 LO 26 SXC cells connected in 2 groups of 5 cells in series providing 2 nominal 12 V sections at connector. These sections can be connected in series (for 24 V) in parallel (for 12 V) or used as two separate 12 V units.



Key features

- A non-replaceable fuse is incorporated in the negative leg of each series group of cells.
- A normally closed high temperature switch or thermal fuse is incorporated into each series group of cells to protect against overheating.
- A diode is incorporated into the positive leg of each series group of cells to prevent charging or flow of current into the battery.
- A device consisting of a manually activated pull tab and resistors designed to discharge the battery to 0 V is built into the battery.

Typical applications

- AN/PRC-104 Radio
- AN/PRC-113 Radio
- AN/PRC-117 Radio
- AN/PRC-119 Singcars Radio
- KY-57, KY-65 Encryption Set
- REMBASS Remotely Monitored Battlefield Surveillance System
- PLRS Position Locator and Reporting System
- RT-991 Buoy Radio
- RT-1175 Buoy Radio
- AN/TAS-4A TOW Night Sight

December 2005

For inquiries and orders, contact:
MICROBATTERY.COM 7350 NW 35th Terrace, Miami, Florida 33122
Customer Service: 1-866-999-2355 Phone 1-305-371-9200 FAX 1-305-371-9400
www.microbattery.com

Electrical characteristics

| | |
|--|---|
| Typical OCV (V) | 15.0 or 30.0 |
| Nominal voltage (at 500 mA) (V) | 13.5 or 27.0 |
| Cut-off (V) | 10.0 or 20.0 |
| Typical capacity +21°C/ +70°F (at 250 mA discharge current) | 18.2 Ah at 12 V 9.1 Ah at 24 V |
| Operating temperature | -40°C to +71°C -40°F to +160°F |
| Storage | Recommended max Possible |
| | +35°C / +95°F -40°C to +71°C / -40°F to +160°F |

Physical characteristics

| | |
|------------------------------------|--------------|
| Typical Weight (g/ oz) | 1000 / 35.3 |
| Weight of Li metal content (g/ oz) | 27 / 0.95 |
| Width (mm/ in) | 62.2 / 2.45 |
| Height (mm/ in) | 111.8 / 4.40 |
| Depth (mm/ in) | 127.0 / 5.00 |
| Battery Case | Plastic |

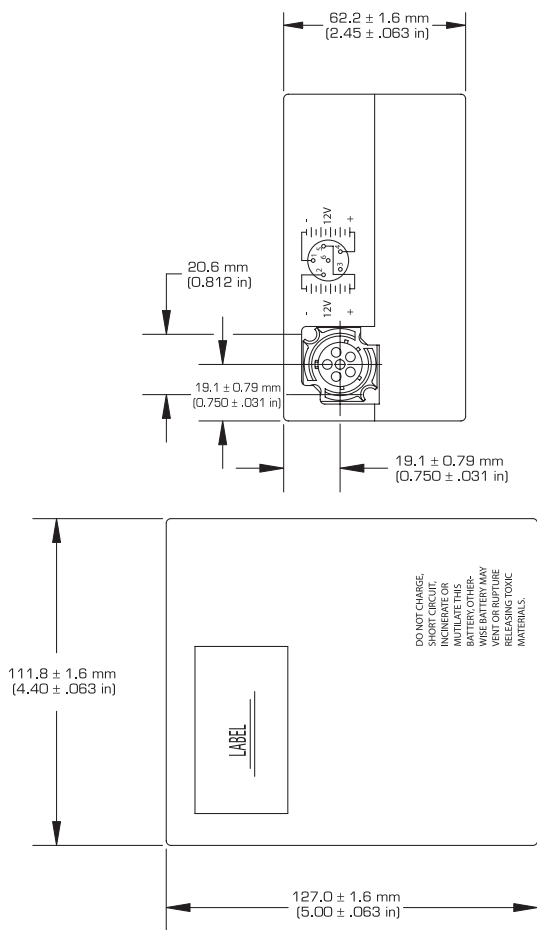
References

| | |
|--------------------------|---|
| Mating connector | ITT Cannon CA 110821- 6 |
| Reference specifications | MIL PRF 49471B or Saft Standard Specification |

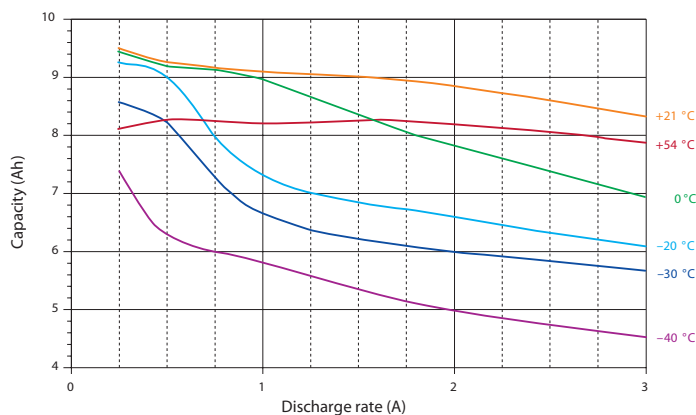


SAFT

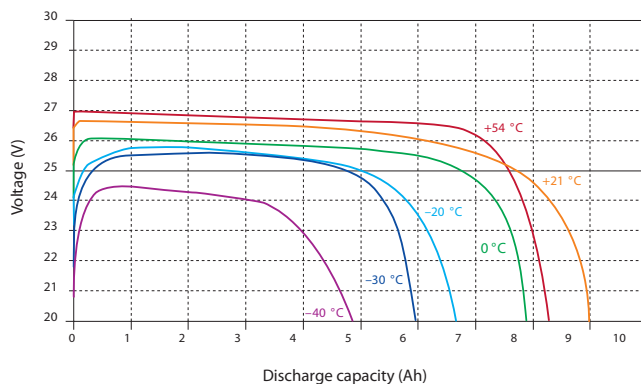
BA 5590 HC dimensions



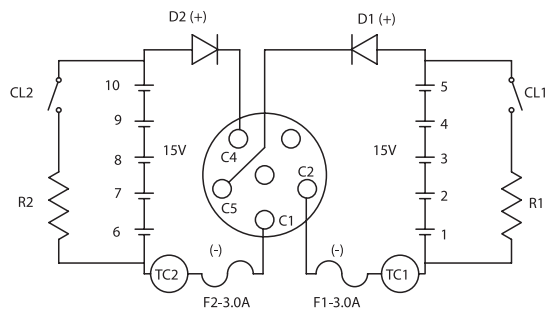
Capacity vs rate at various temperatures



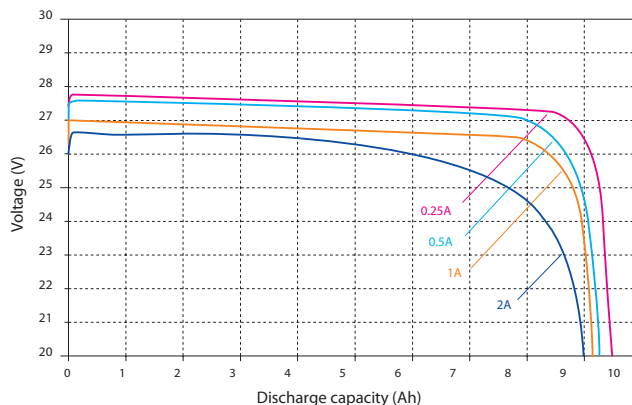
2 A discharge typical curves at various temperatures (24 V mode)



Electrical schematic



Typical discharge curves at various rates at +21 °C/+70 °F



Distributed by:

MICROBATTERY.COM

7350 NW 35th Terrace, Miami, Florida 33122

Customer Service: 1-866-999-2355

Phone: 1-305-371-9200 Fax: 1-305-371-9400

www.microbattery.com

Doc N ° 31067-2-1205

Data in this document is subject to change without notice and becomes contractual only after written confirmation.

Soci été anonyme au capital de 31 944 000 €
RCS Bobigny B 383 703 873

Pragma - Printed in France - 3k



SAFT