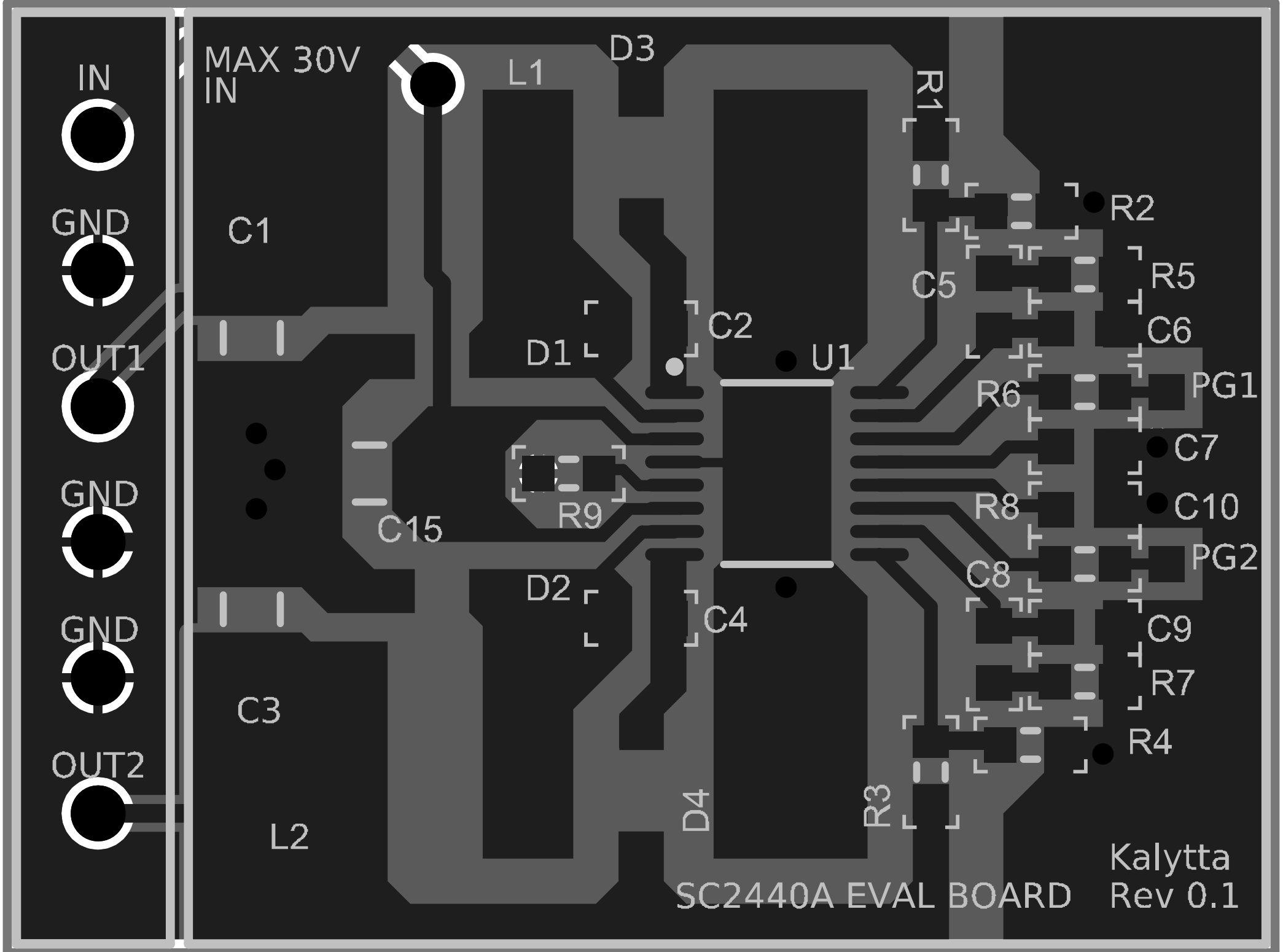


Title		
Size	Number	Revision
A4		
Date:	12.06.2018	Sheet of
File:	D:\Daten\...\Main.SchDoc	Drawn By:

Item #	Manufacturer Part Number	Quantity	Designator	Footprint
1	GRM31CR71A226KE15L, GRM31CR71A226KE15L, CL31B475KBHNNNE	3	C1, C3, C15	CAPC3216N
2		8	C2, C4, C5, C6, C7, C8, C9, C10	CAPC1608N
3	PMEG40T20ERX	2	D1, D2	SOD-123W
4	BAS16GWJ	2	D3, D4	SOD-123
5	NR6045T100M, NRS6045T150MMGK	2	L1, L2	NR6045
6		9	R1, R2, R3, R4, R5, R6, R7, R8, R9	RESC1608N
7	SC2440A	1	U1	TSOP65P640_HS-16N



MAX 30V
IN

IN

GND

OUT1

GND

GND

OUT2

C1

L1

D3

D1

C2

U1

R1

R2

R5

C6

R6

PG1

C7

C15

R9

R8

C10

PG2

D2

C4

C8

C9

C3

L2

D4

R3

R7

R4

SC2440A EVAL BOARD

Kalytta
Rev 0.1