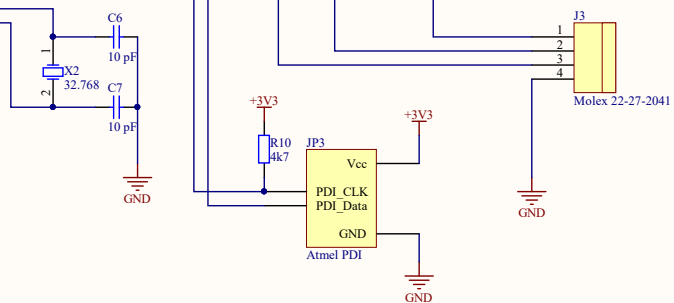
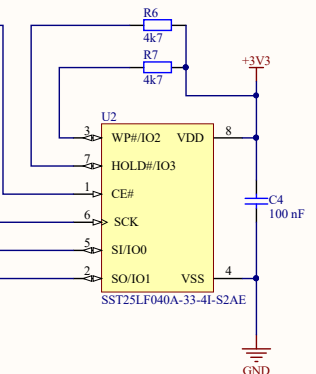
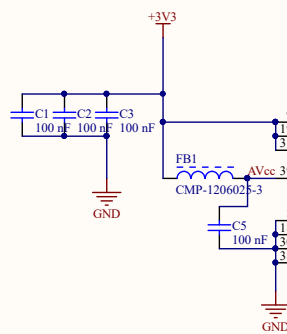
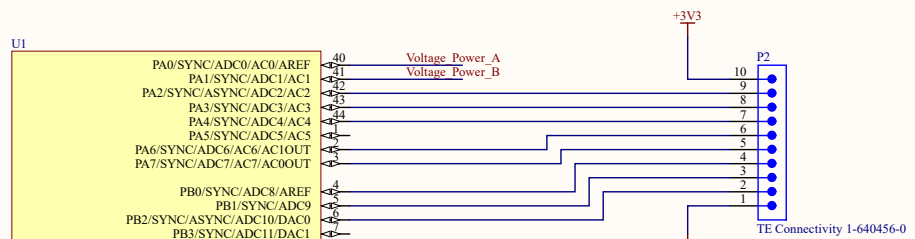
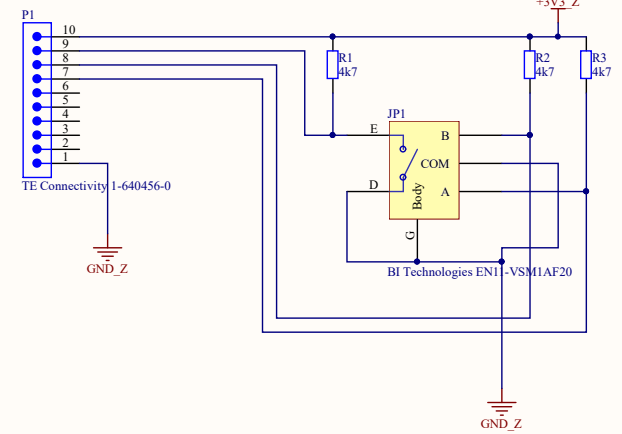
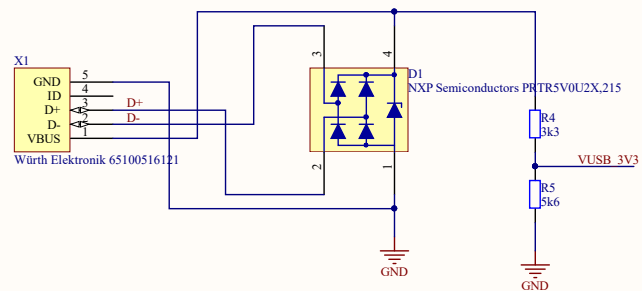
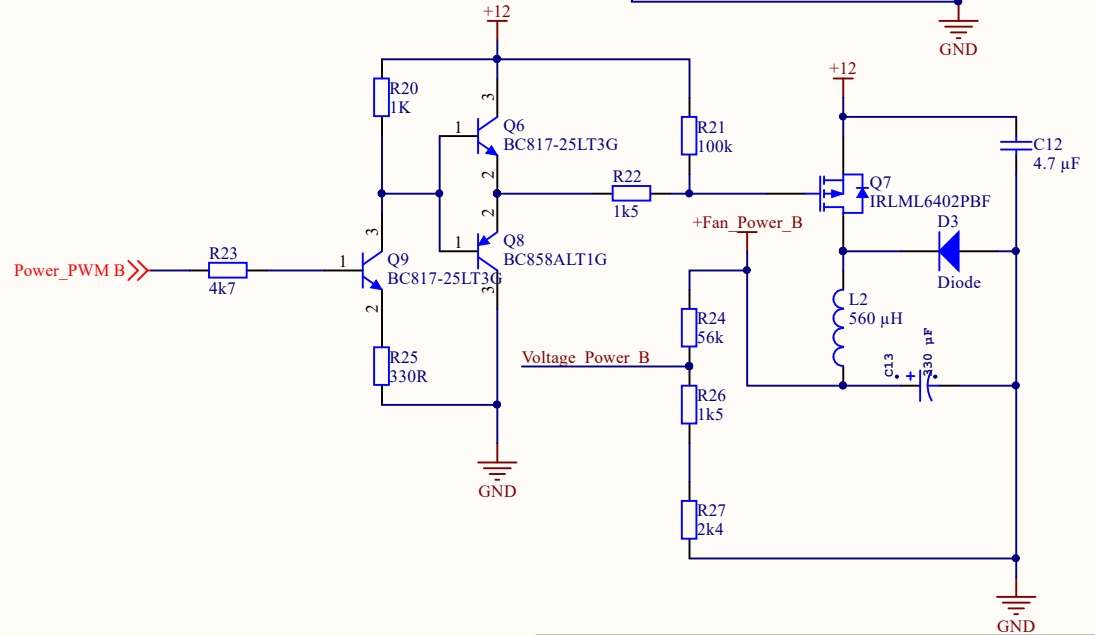
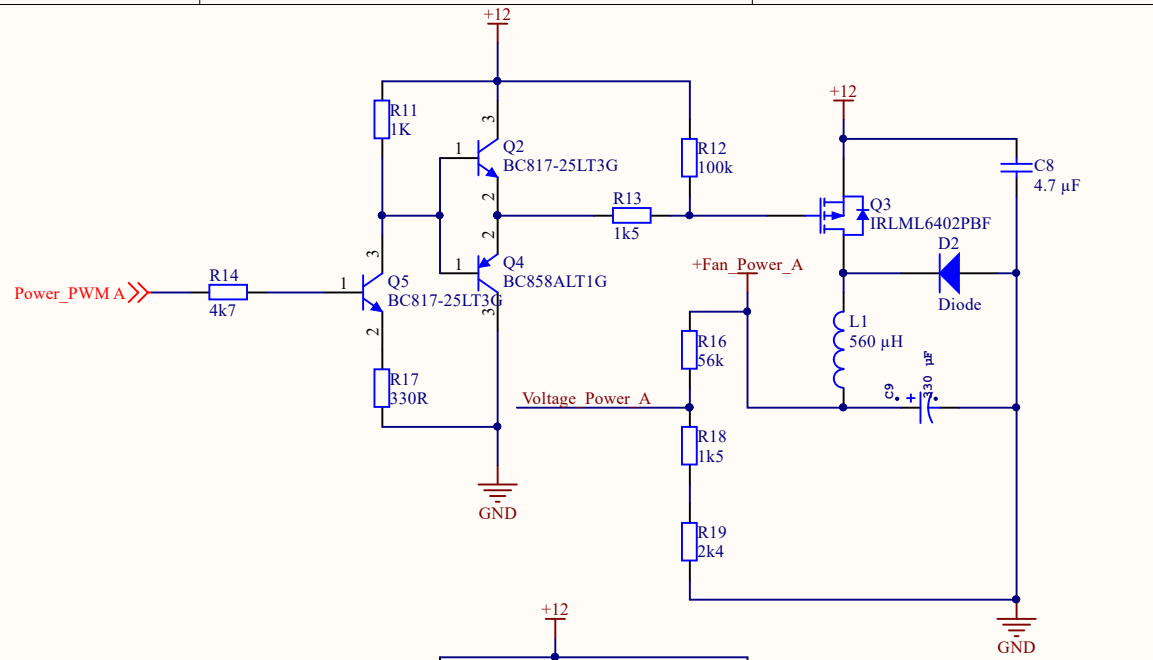
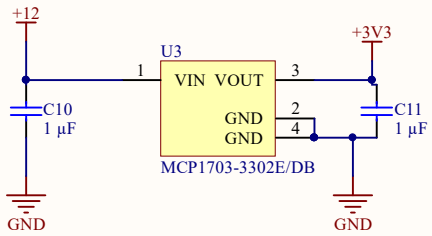
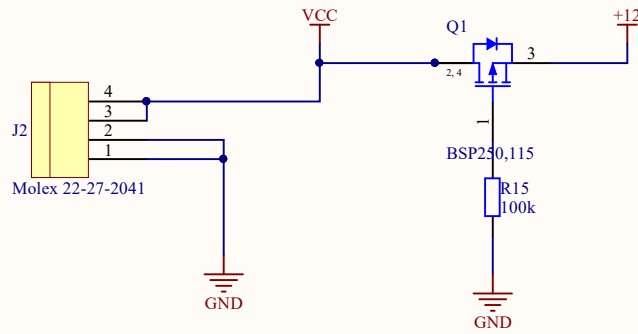


Title		
Size	Number	Revision
A4		
Date:	04.07.2018	Sheet of
File:	Output.SchDoc	Drawn By:



Title		
Size	Number	Revision
A3		
Date:	04.07.2018	Sheet of
File:	PCB.SchDoc	Drawn By:

Verpolungsschutz



Title		
Size	Number	Revision
A4		
Date:	04.07.2018	Sheet of
File:	Power.SchDoc	Drawn By:

