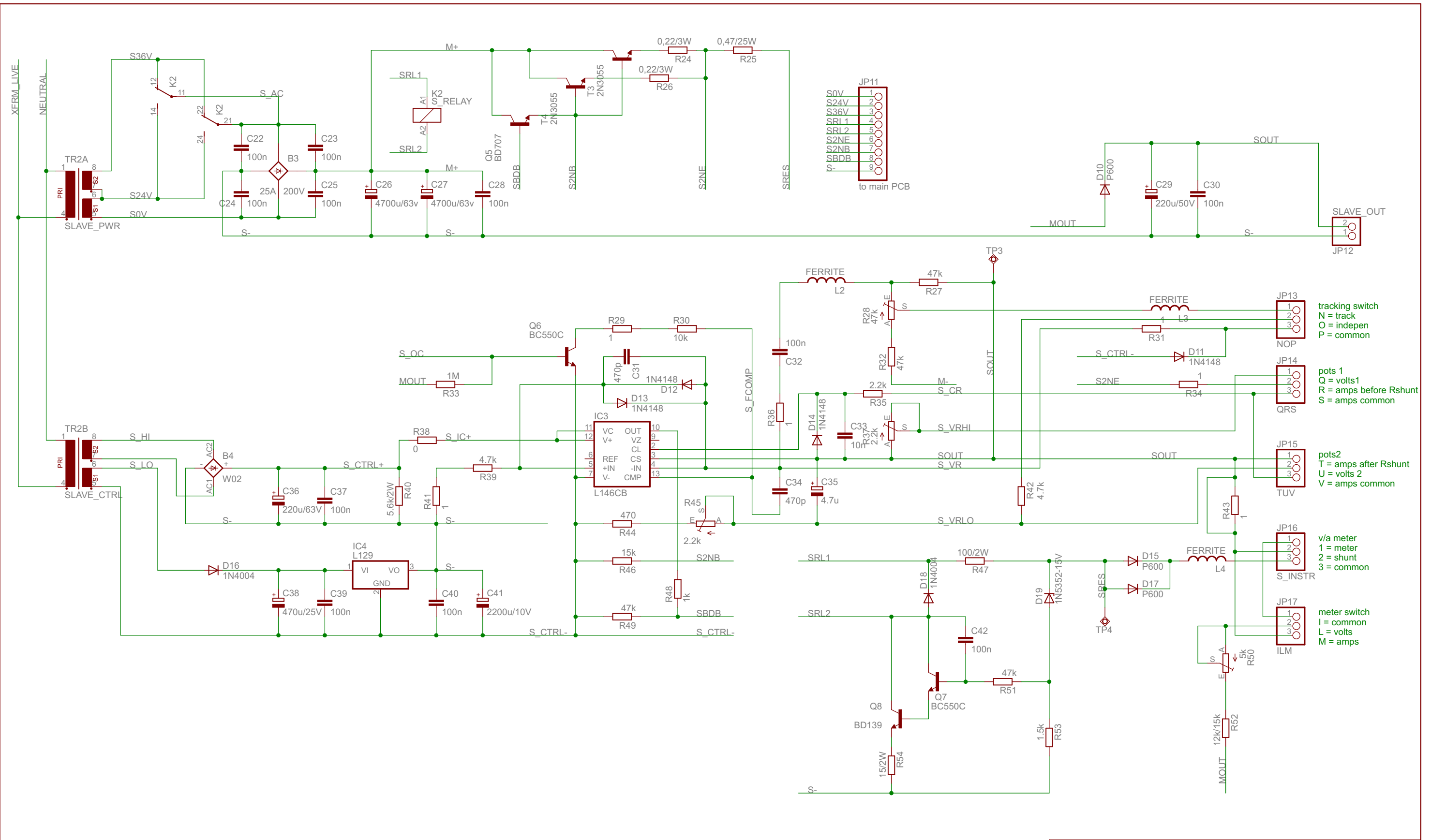


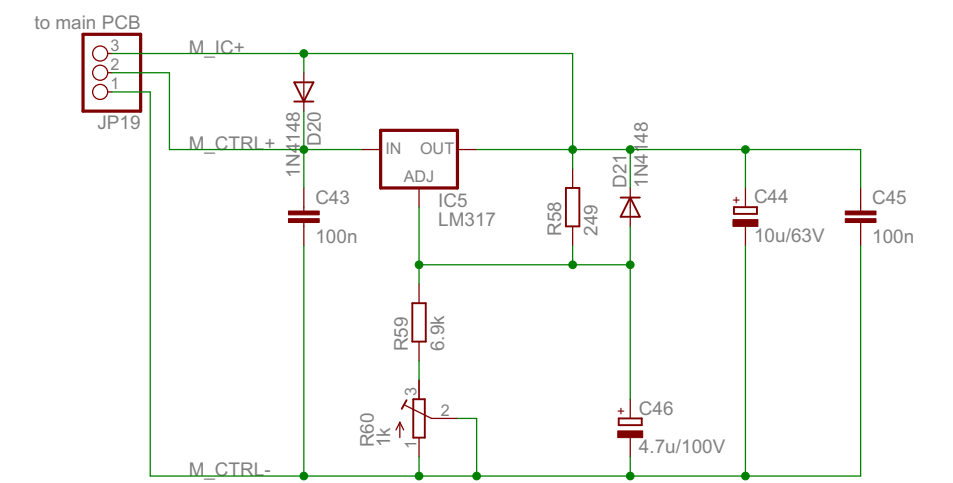
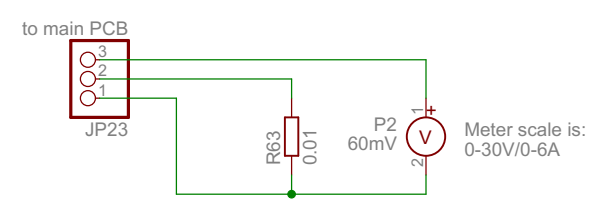
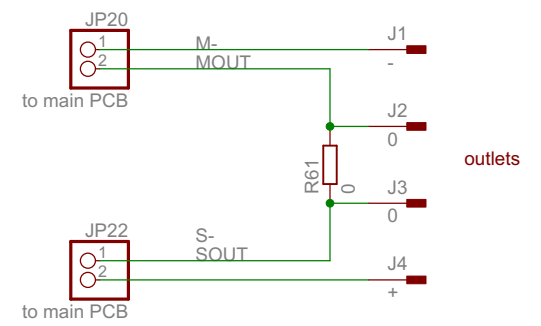
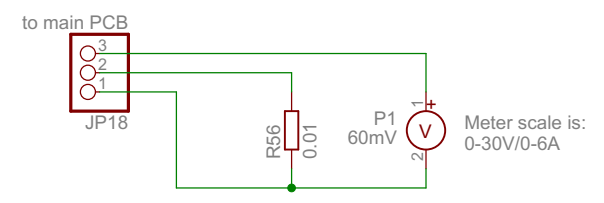
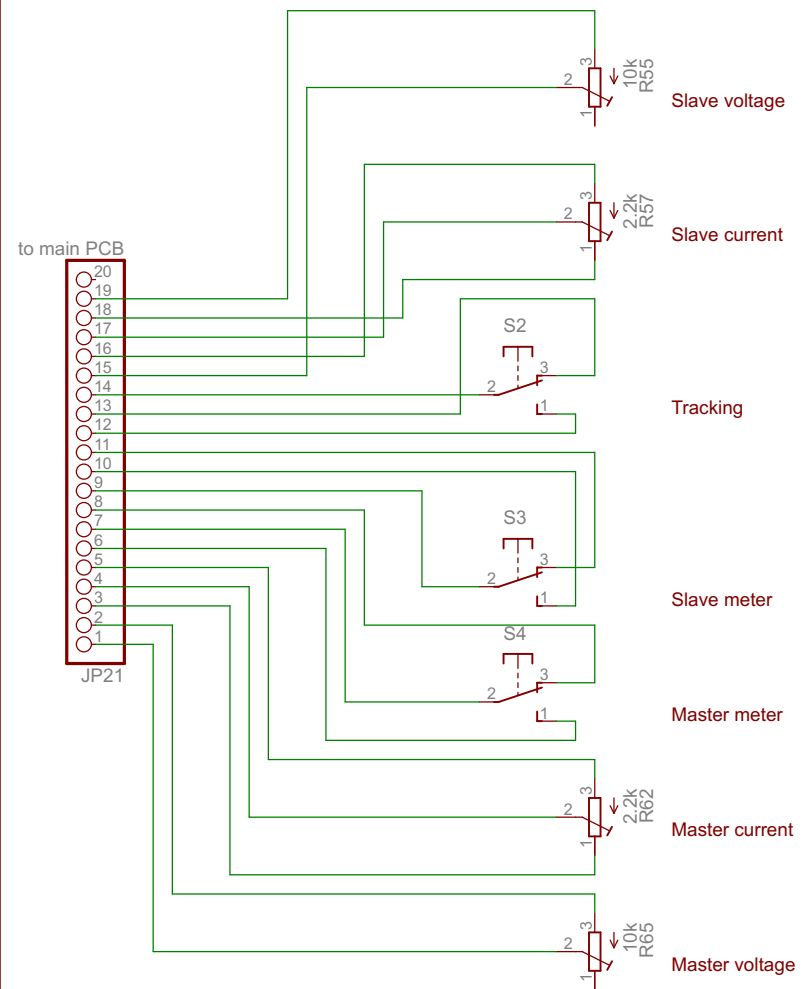
Drawn by Diego Moimas Master and AC sections
 All std resistors are 1% 1/4W metal film
 TITLE: full_brs_36
 Document Number: 0222 REV: A
 Date: 17/11/2013 16:50:51 Sheet: 1/3

Notes:
 1. all original resistors were carbon film 5%
 2. BD139 was 2N1711, BC550Cs were BC239 and BC560C was BC415
 3. all zeners were 2watt models

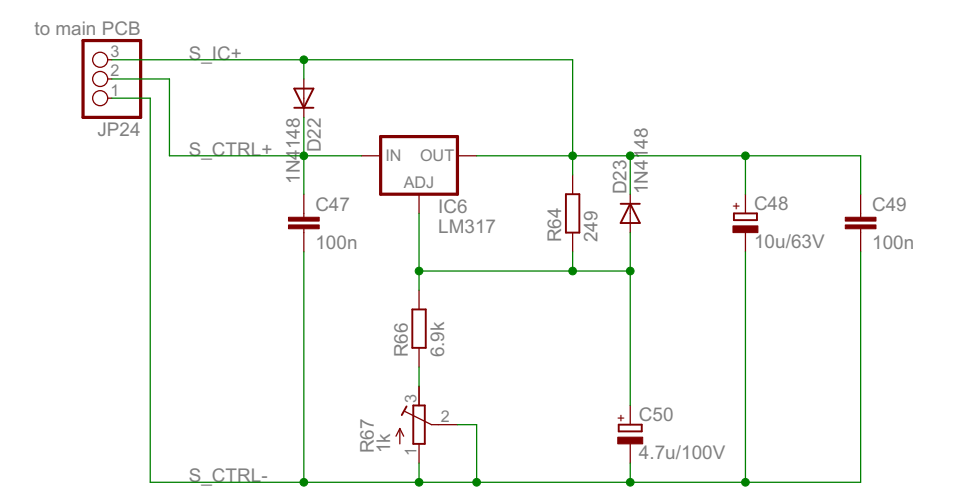


Drawn by Diego Moimas		Slave section	
All std resistors are 1% 1/4W metal film			
TITLE: full_brs_36			
Document Number:		0222	REV: A
Date: 17/11/2013 16:50:51		Sheet: 2/3	

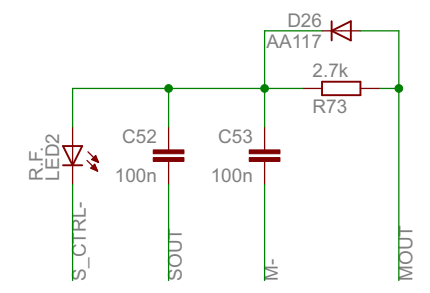
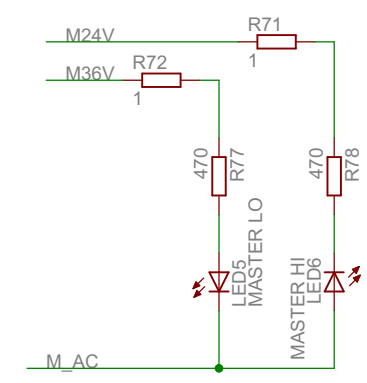
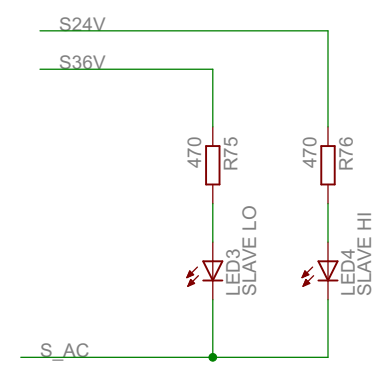
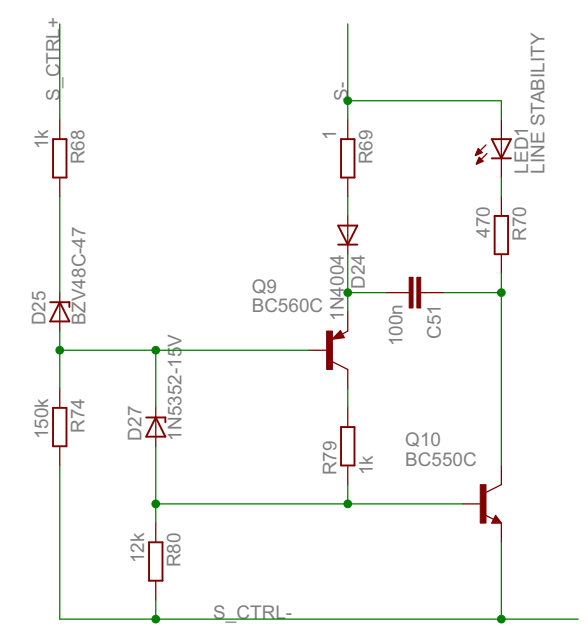
Notes:
 1. all original resistors were carbon film 5%
 2. BD139 was 2N1711, BC550Cs were BC239 and BC560C was BC415
 3. all zeners were 2watt models



Set to 40V to supply L146's VC/V+ (now replaceable with uA723/LM723)



Set to 40V to supply L146's VC/V+ (now replaceable with uA723/LM723)



Notes:
 1. all original resistors were carbon film 5%
 2. BD139 was 2N1711, BC550Cs were BC239 and BC560C was BC415
 3. all zeners were 2watt models

Drawn by Diego Moimas		Front panel and mods	
All std resistors are 1% 1/4W metal film			
TITLE: full_brs_36			
Document Number:		0222	REV: A
Date: 17/11/2013 16:50:51		Sheet: 3/3	