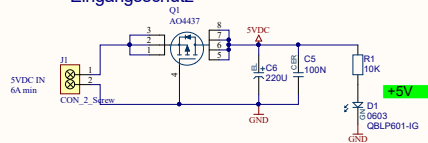
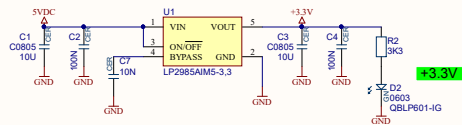


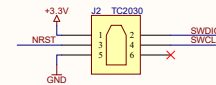
Eingangsschutz



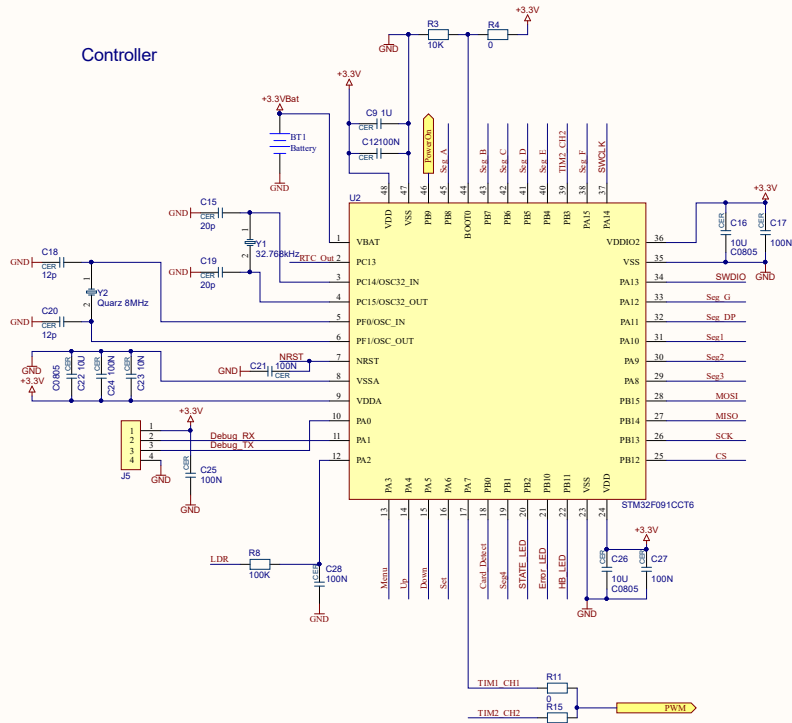
3.3V Spisierung



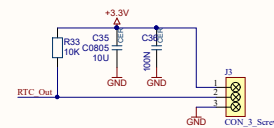
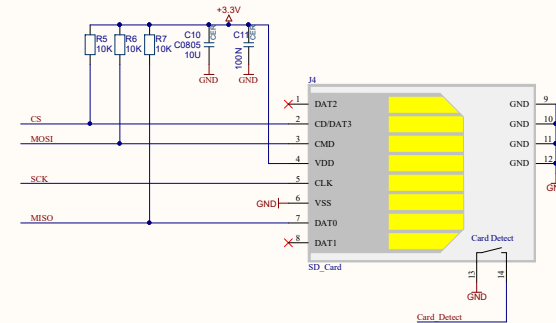
Prog. Stecker



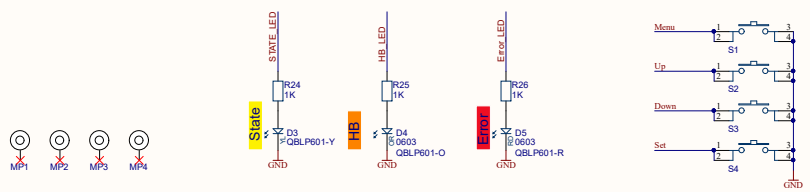
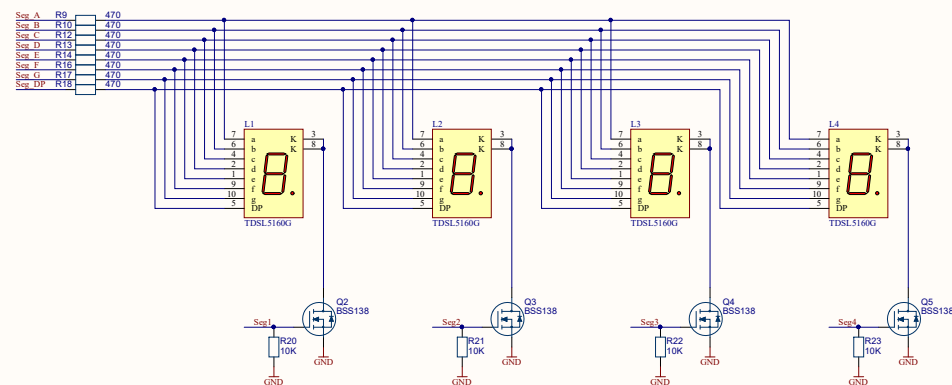
Controller



Micro SD Card



7 Segment Display



Title			
Size:	A2	Number	
Date:	02.10.2018	Sheet of	
File:	C:\Users\... \Controller_SchDoc	Drawn By:	