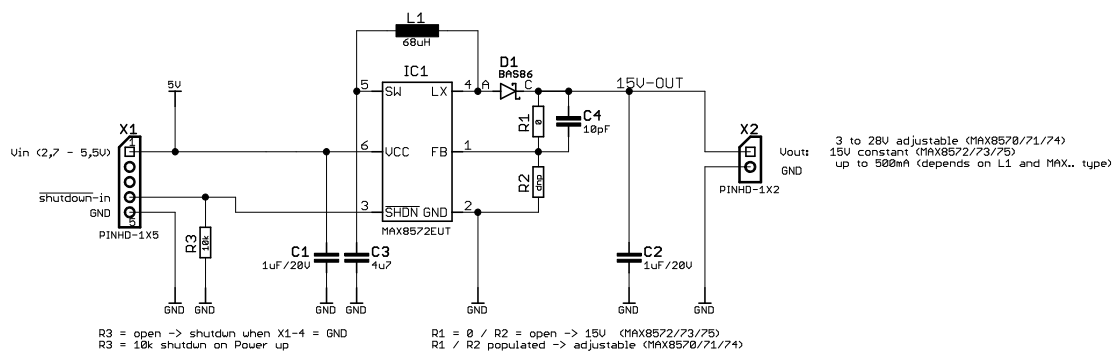
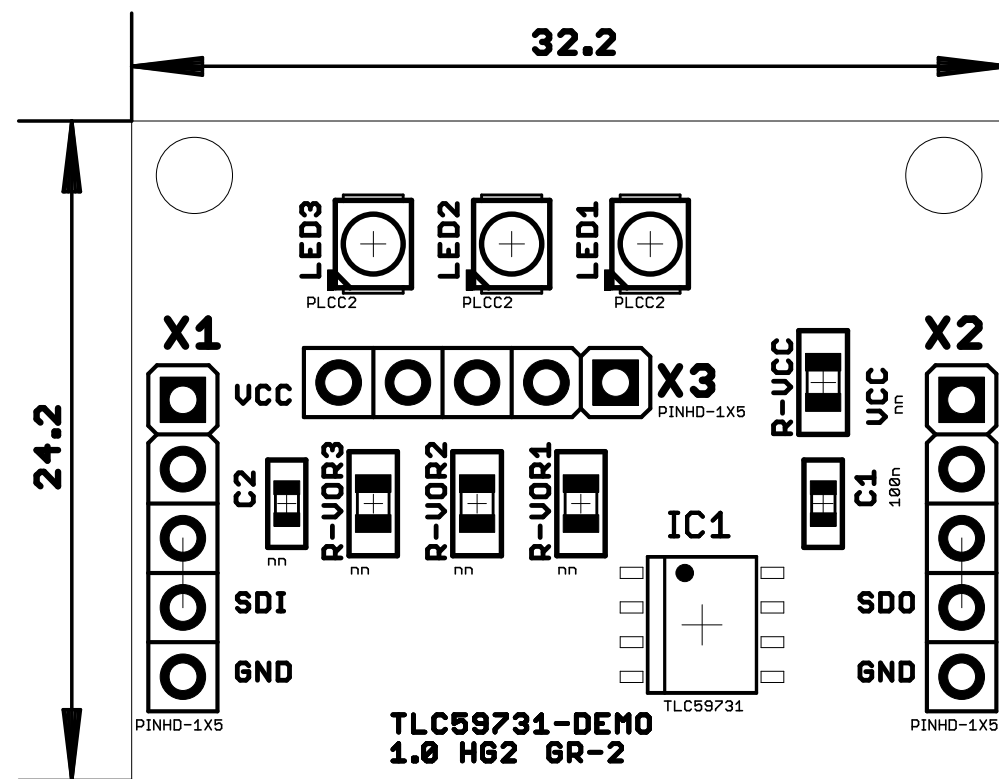


add in next version
----- jumper VCC-MC/IC1-UCC/R-UCC



R3 = open -> shutdown when X1-4 = GND
R3 = 10k shutdown on Power up

R1 = 0 / R2 = open -> 15V (MAX8572/73/75)
R1 / R2 populated -> adjustable (MAX8570/71/74)

