

1

2

3

4

A

A

B

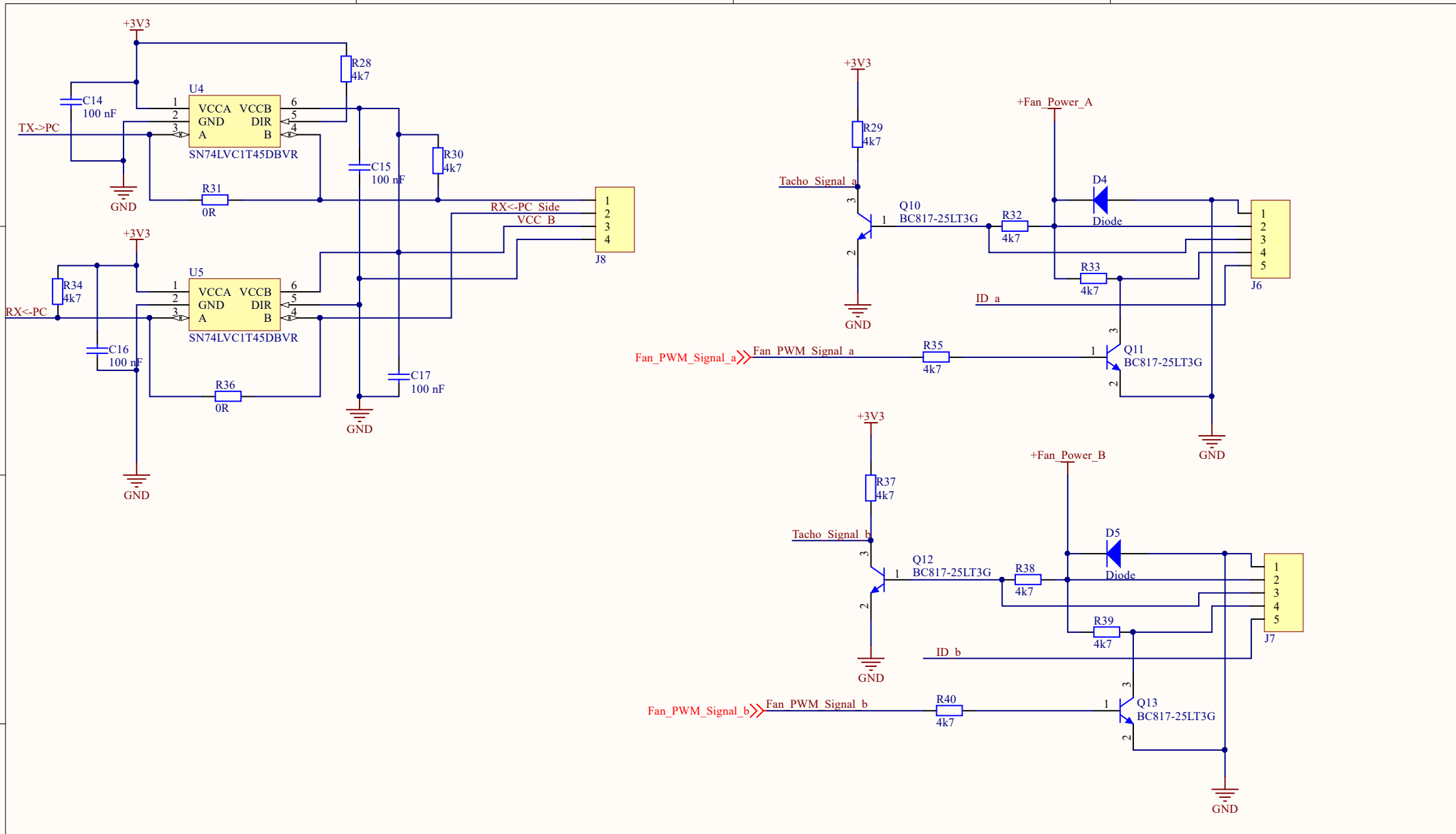
B

C

C

D

D



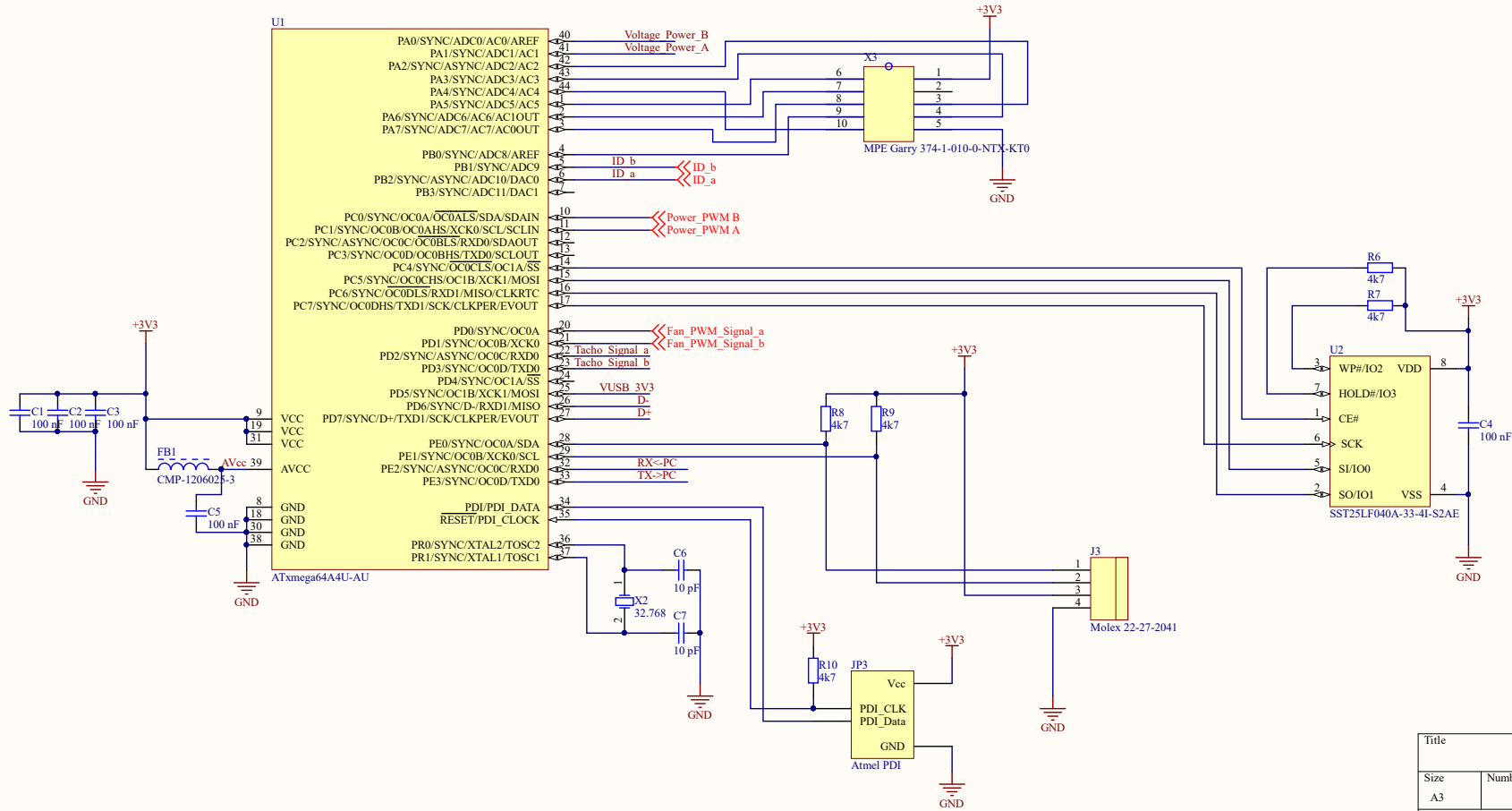
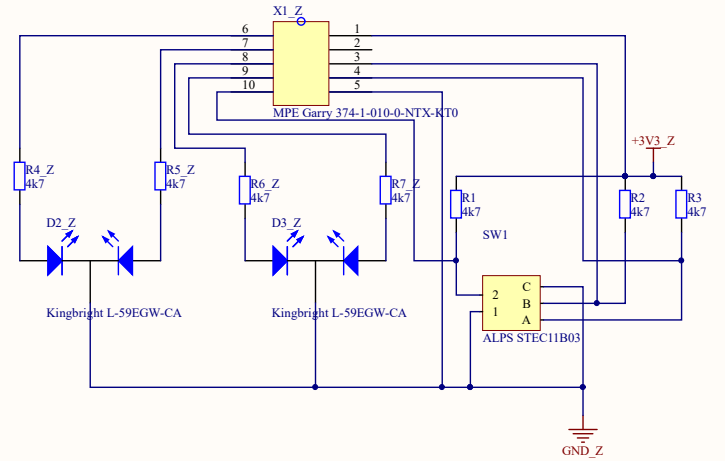
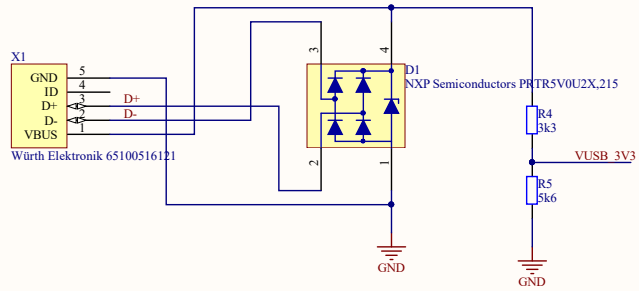
Title		
Size	Number	Revision
A4		
Date:	22.12.2018	Sheet of
File:	Output.SchDoc	Drawn By:

1

2

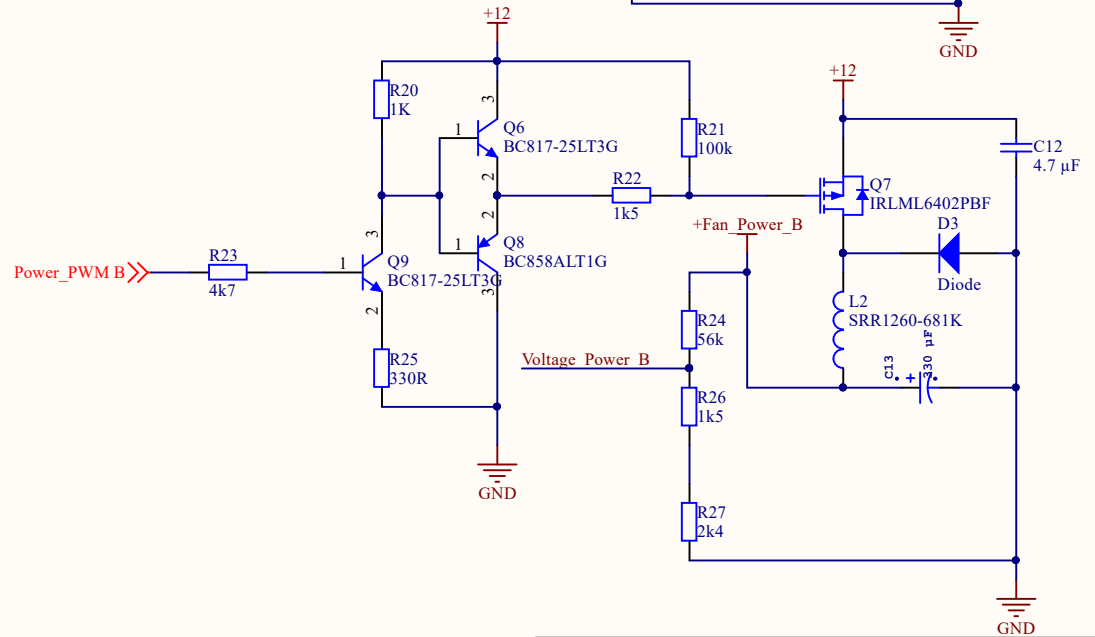
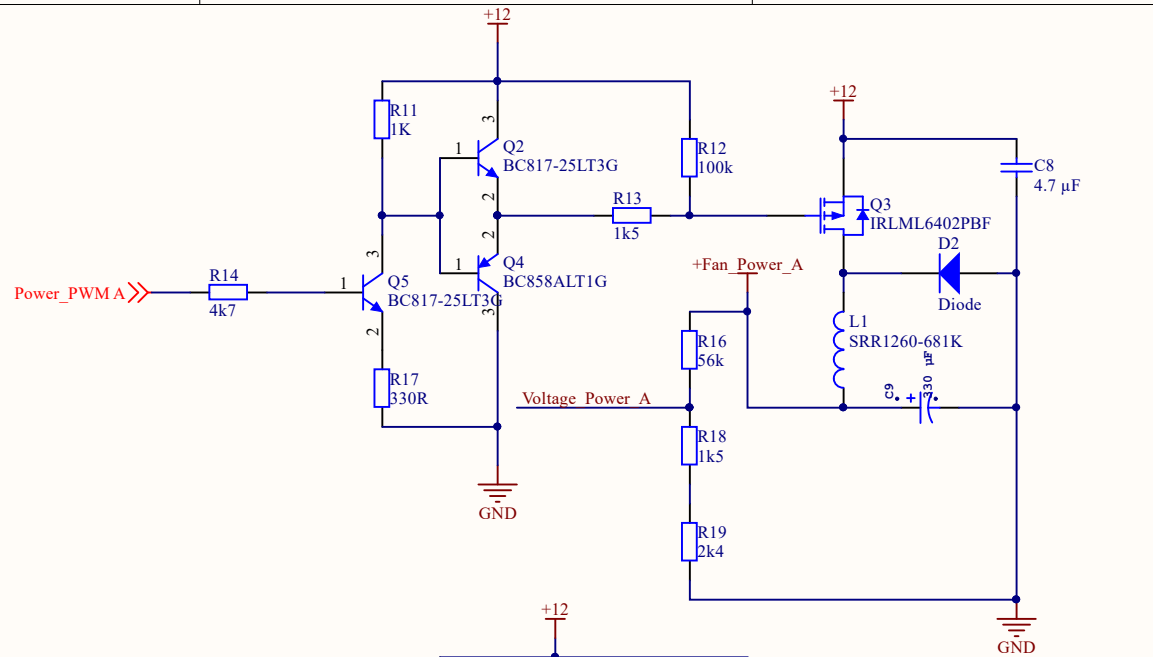
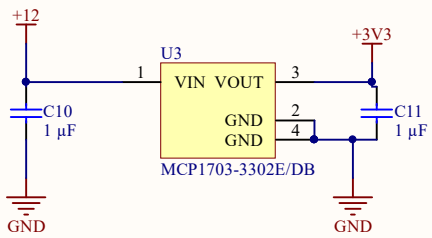
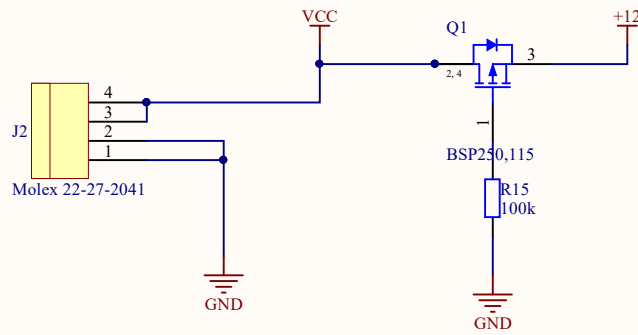
3

4



Title		
Size	Number	Revision
A3		
Date:	22.12.2018	Sheet of
File:	PCB_SchDoc	Drawn By:

Verpolungsschutz



Title		
Size	Number	Revision
A4		
Date:	22.12.2018	Sheet of
File:	Power.SchDoc	Drawn By:

