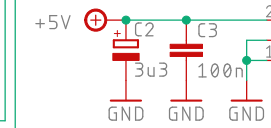
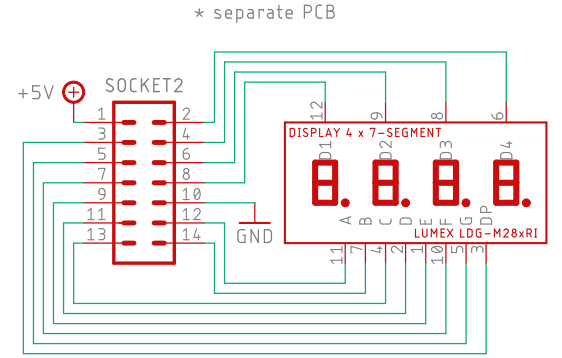
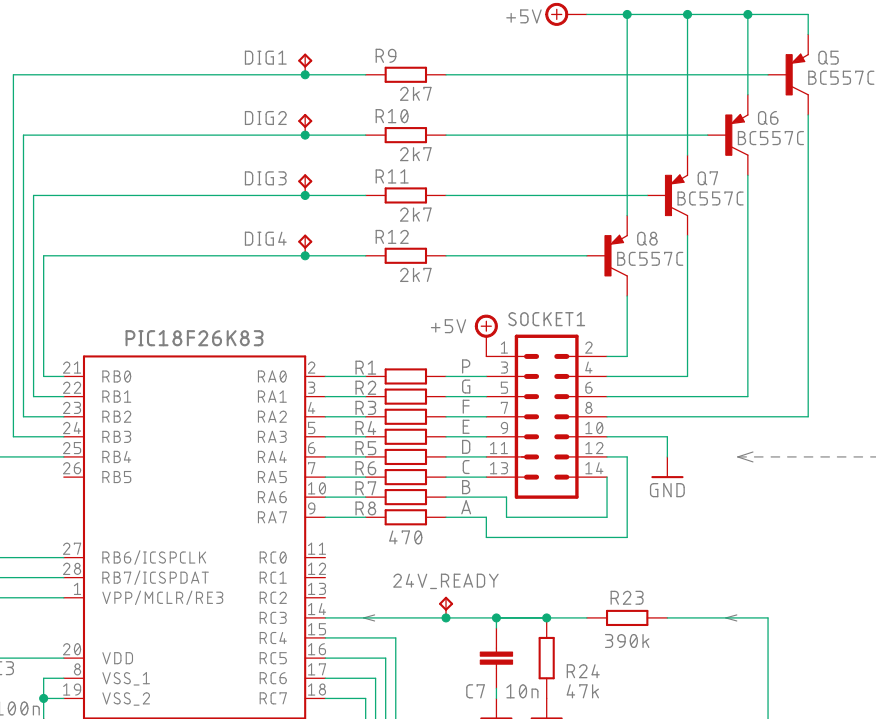
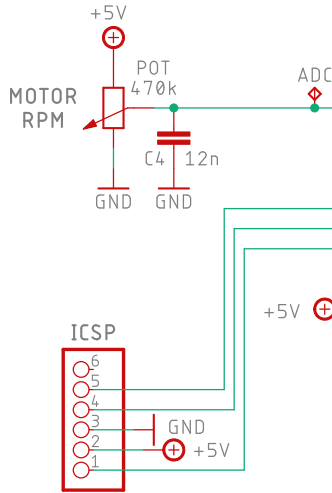
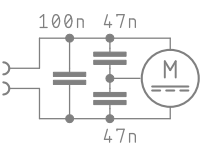
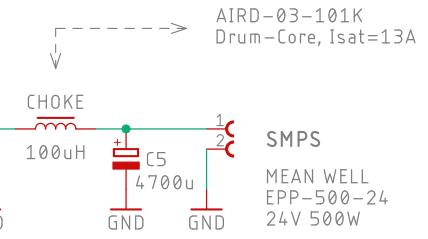
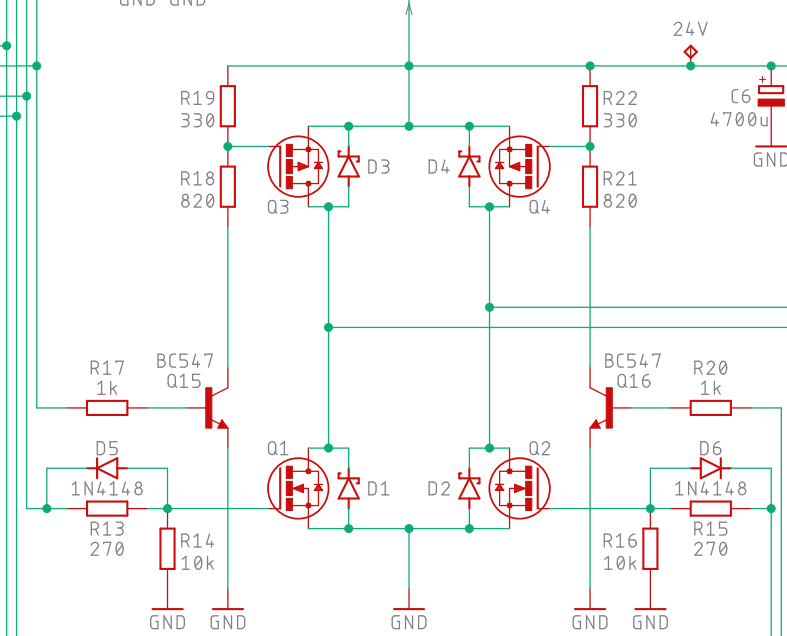
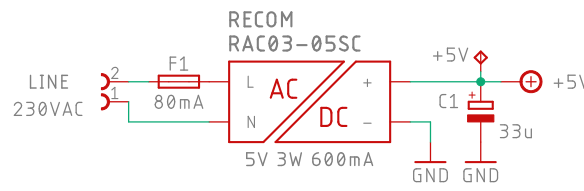


12-bit ADC	MODE
0256-1024	Forward 0-2700rpm
0128-0256	OFF
0000-0128	Reverse 0-500rpm



BRIDGE	Q1	Q2	Q3	Q4
Forward	PWM	0	0	1
Reverse	0	PWM	1	0
OFF	x	x	0	0



Full-Bridge PWM Controller | 7-Segment Display

Brushed-DC-Motor | MY1016 | 24V 250W

N-MOSFET : SQP120N10-3M8
 P-MOSFET : SQP90P06-07L
 Schottky : V301100S-E3