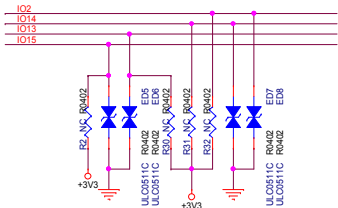
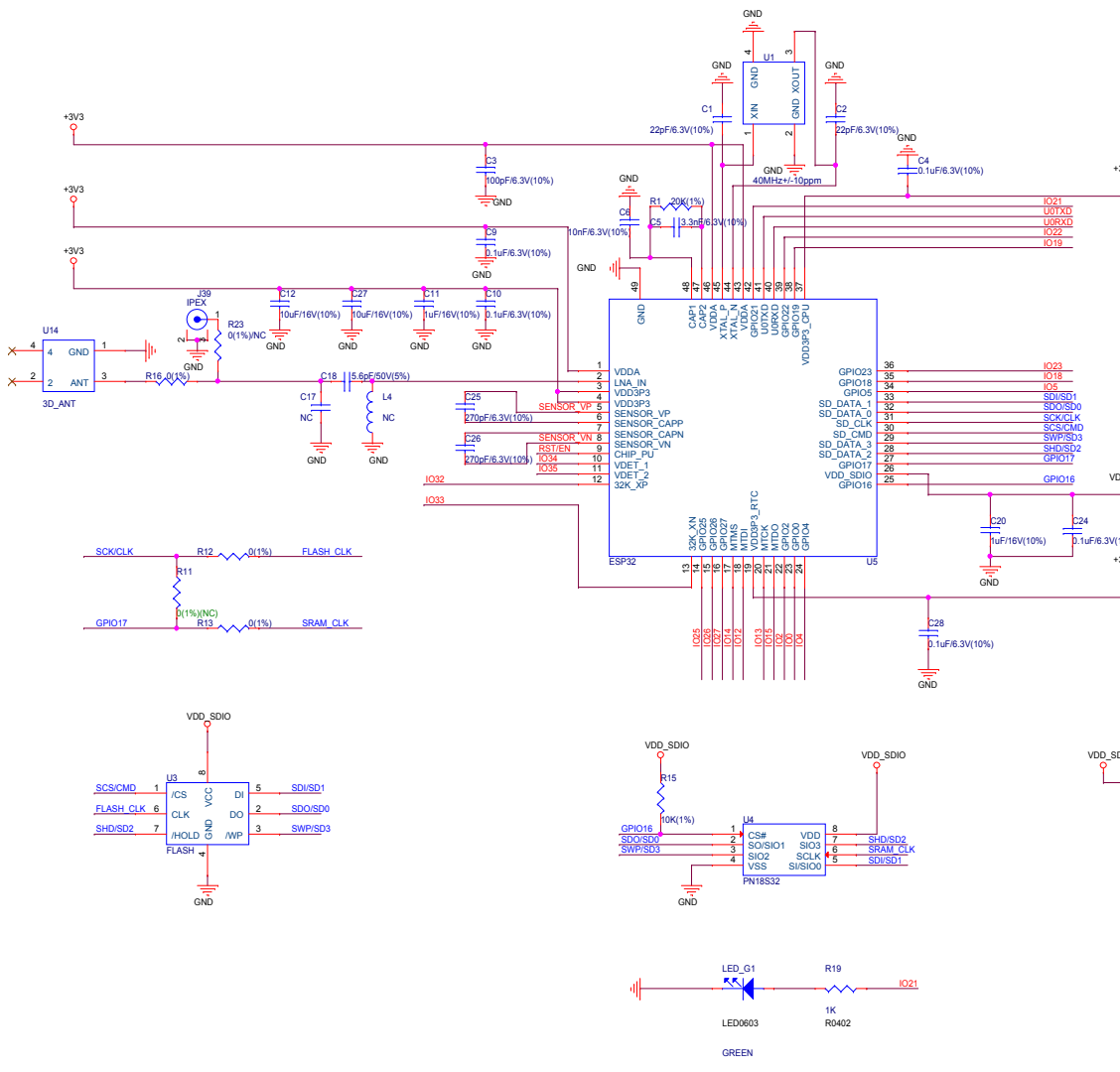


**ESP32 Module:with 1.8V Flash & SRAM**  
**The operating voltage for signals marked in blue is 1.8V.**



FF 卡接法  
 SD3-CS-1013  
 CMD-M081-1015  
 CLK-S028-1014  
 SD3-M020-1022

