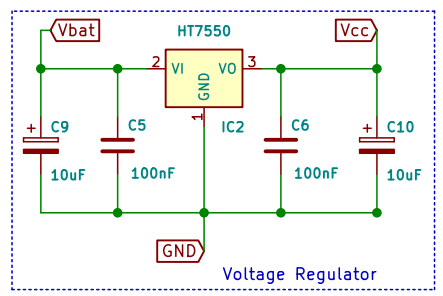
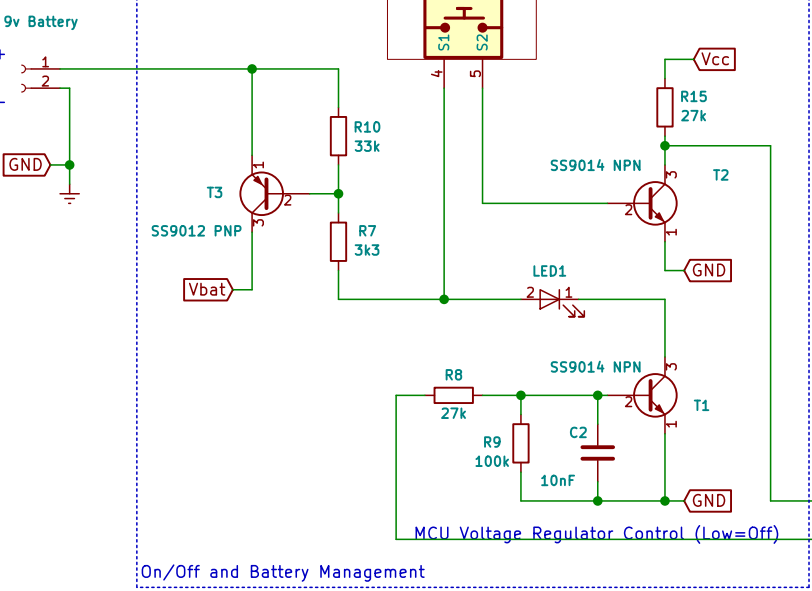
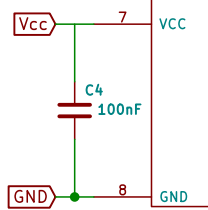
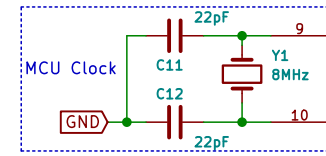
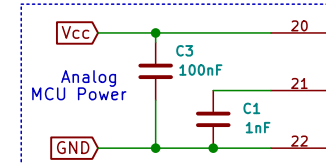
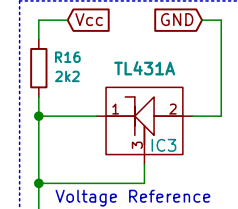
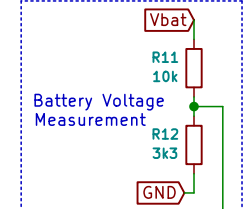
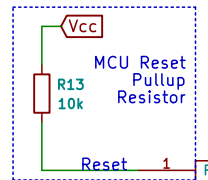
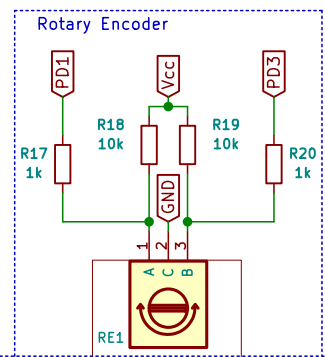


# The 'Little t' device fails to meet the minimum system design specifications

Note: This clone version does not have either of the circuit protection options, TVS or relay.

- 1.) Incorrect Voltage Reference (IC3= 1% (0.1% Recommended))
  - 2.) Incorrect Probing Resistors in Most Kits (R1-R6)
- These errors are significant, and will impact the usefulness of this device. The software can not correct for these errors.



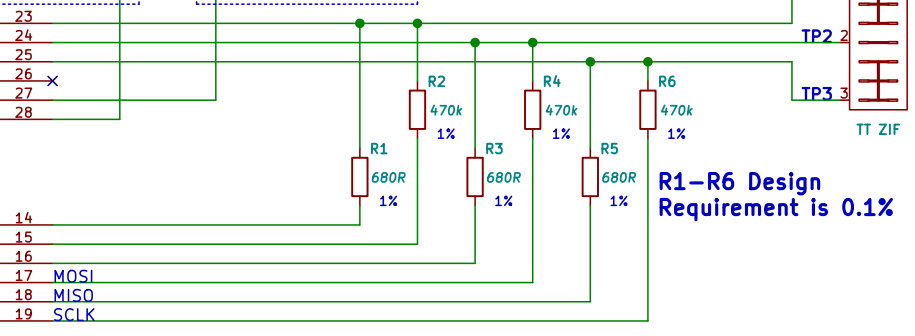
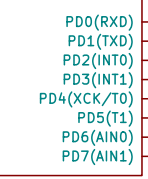
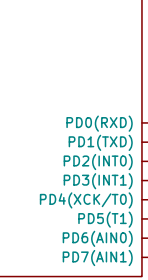
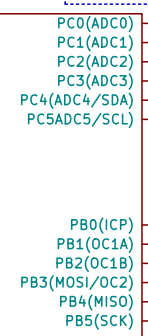
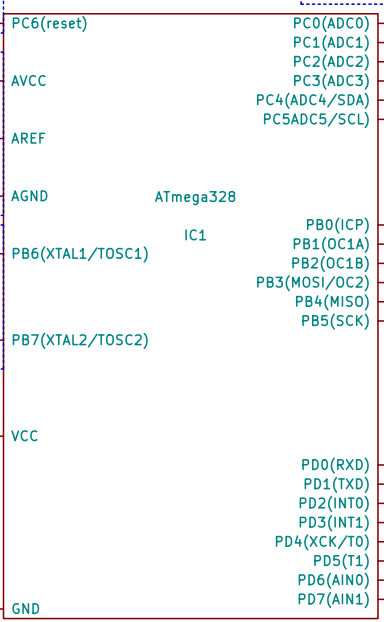
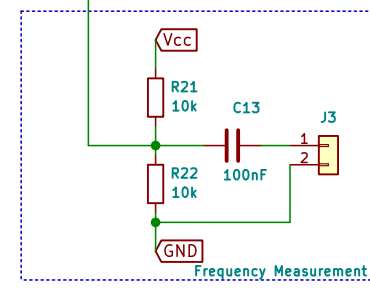
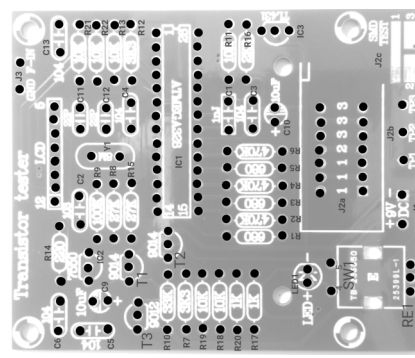
**Little t Clone - The Proper Mods**

- 1.) 0.1% Probing Resistors
- 2.) 16 or 20MHz Crystal
- 3.) Correct LDO Vreg
- 4.) Correct Vref

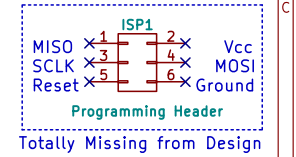
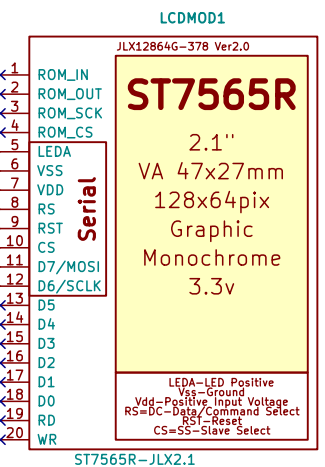
+Spare MCU

**Mouser Part Numbers**

279-H8470KBZA  
 279-H8680RBYA  
 774-ATS16A and/or 774-ATS20A  
 926-LM4040AIZ25NOPB  
 579-MCP1702-5002E/TO  
 556-ATMEGA328-PU



R1-R6 Design Requirement is 0.1%



Totally Missing from Design

OSHW [www.mikrocontroller.net/articles/AVR\\_Transistortester](http://www.mikrocontroller.net/articles/AVR_Transistortester)

Sheet: /  
 File: TT-Clone-littlet2.sch

**Title: Transistor Tester Little t2 full**

Size: User Date: 2017-11-30  
 KiCad E.D.A. kicad 4.0.7-e2-637658ubuntu16.04.1

Rev: Jake L 1.2  
 Id: 1/1