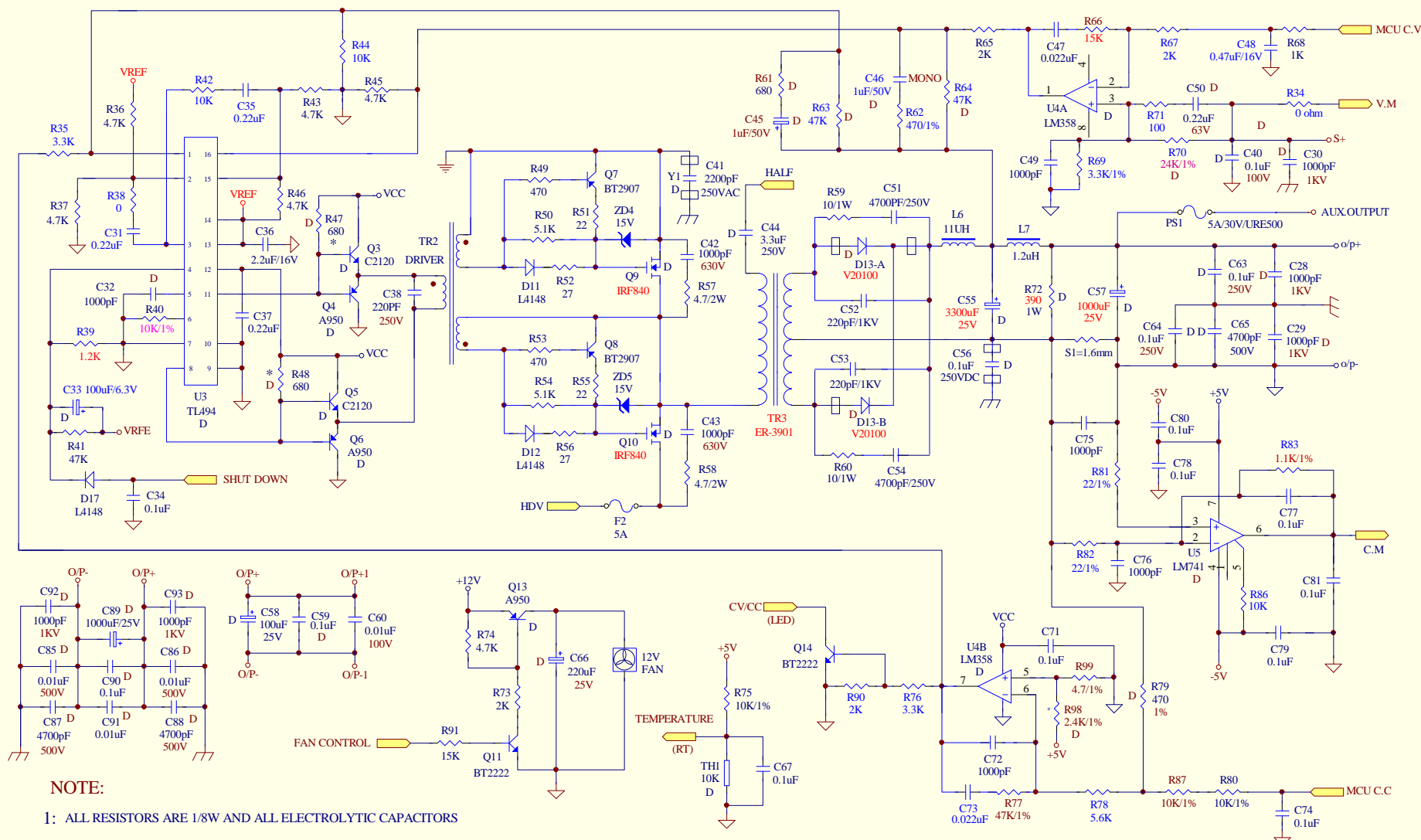


NOTE:

- 1: ALL RESISTORS ARE 1/8W AND ALL ELECTROLYTIC CAPACITORS AND NP CAPACITORS ARE 50V UNLESS OTHERWISE SPECIFIED
- 2: * ——— 1/4W RESISTORS
- 3: S----- SMT
- 4: 此PFC电路与HCS-3100, 3102, 3104共用。

TITLE: HCS-3100 PFC		DWG.NO.: 9800-3100-0000	
DRAWN BY: TJM	CHECKED BY:	APPROVED BY:	SHEET 1 OF 2 REVISION: 1.3 DATE:30-Nov-2011



NOTE:

- 1: ALL RESISTORS ARE 1/8W AND ALL ELECTROLYTIC CAPACITORS AND NP CAPACITORS ARE 50V UNLESS ORTHERWISE SPECIFIED
- 2: * ——— 1/4W RESISTORS

TITLE : HCS-3100-0000 DC-DC CONVERTER (Output:1-18VDC/10A)		DWG.NO. : 9800-3100-0000	
DRAWN BY : TJM	CHECKED BY :	APPROVED BY :	SHEET 2 OF 2
		REVISION: 1.1	DATE: 15-Mar-2011