



Service Manual



EUROLIVE B112D

Active 2-Way 12" PA Speaker System with Wireless Option and Integrated Mixer

Specifications	2
PCB Schematic	3
Parts List	8
Exploded Drawing	22

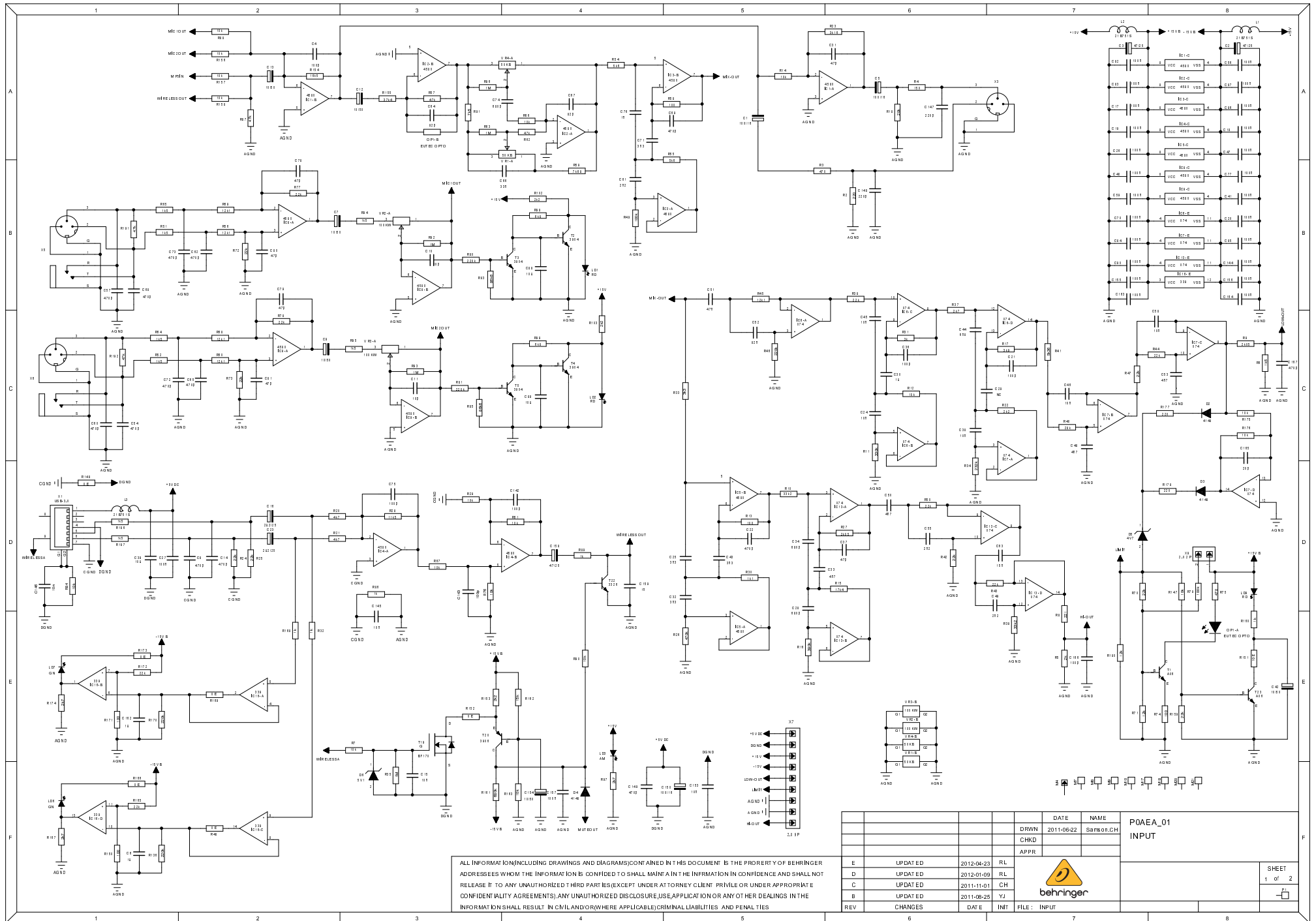
behringer.com



EUROLIVE B112D

Specifications

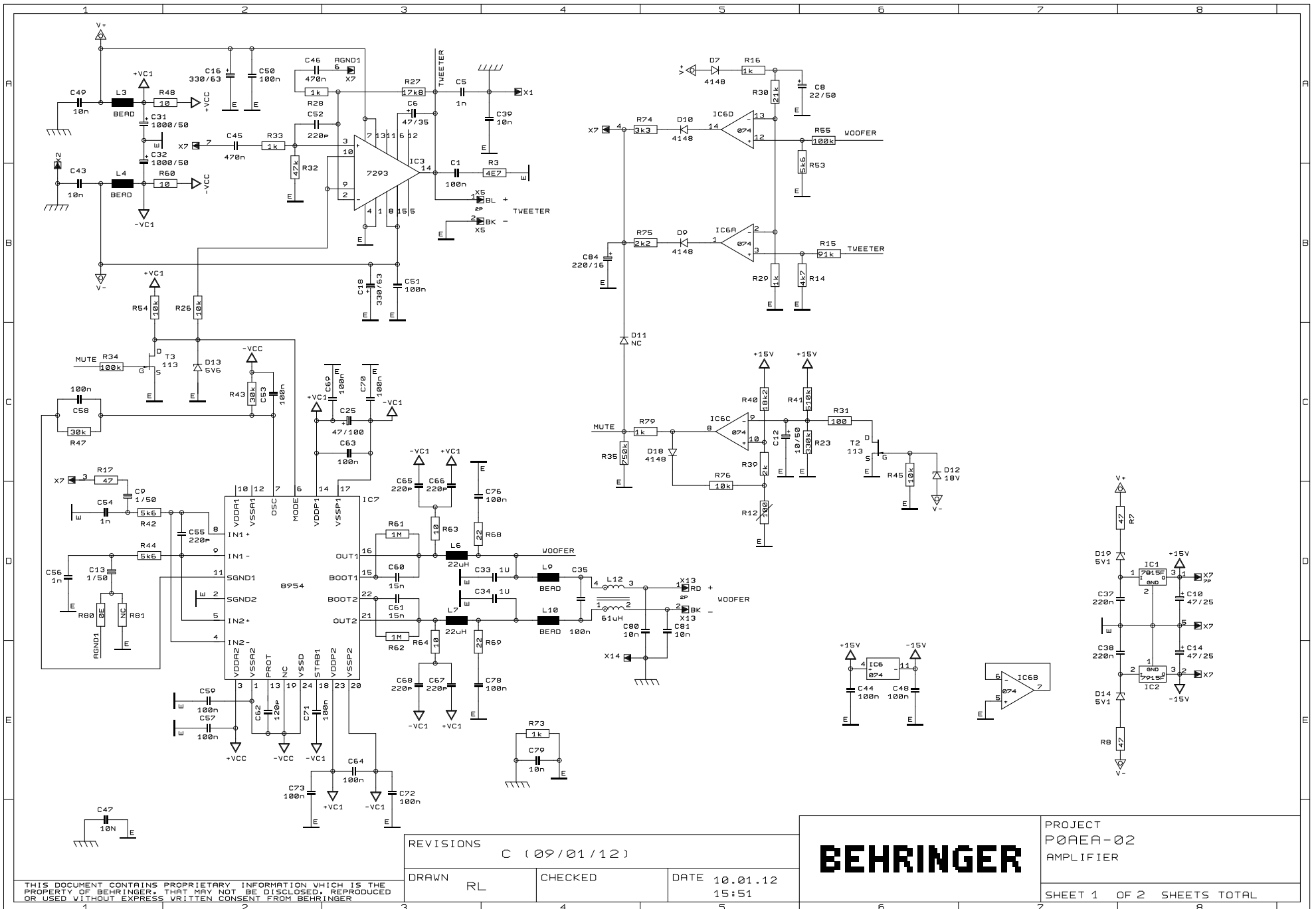
- High-Power 1000-Watt 2-way PA sound reinforcement speaker system for live and playback applications
- Ultra-compact and lightweight system delivers excellent sound even at extreme sound pressure levels
- "Wireless-ready" for high-quality BEHRINGER digital wireless system (not included)
- 2-channel mixer with individual Mic/Line inputs, Volume controls and Clip LEDs
- Dedicated 2-band EQ plus integrated sound processor for ultimate system control and speaker protection
- Revolutionary Class-D amplifier technology: enormous power, incredible sonic performance and super-light weight
- Extremely powerful 12" long-excursion driver provides incredibly deep bass and acoustic power
- State-of-the-art 1.35" aluminum-diaphragm compression driver for exceptional high-frequency reproduction
- Ultra-wide dispersion, large-format exponential horn
- Additional Line output allows linking of additional speaker systems
- Versatile trapezoidal enclosure design allows different positioning:
 - Stand mounting with 35-mm pole socket
 - Tilts on its side for use as a floor monitor
- Ergonomically shaped handles for easy carrying and setup
- High-quality components and exceptionally rugged construction ensure long life
- Conceived and designed by BEHRINGER Germany

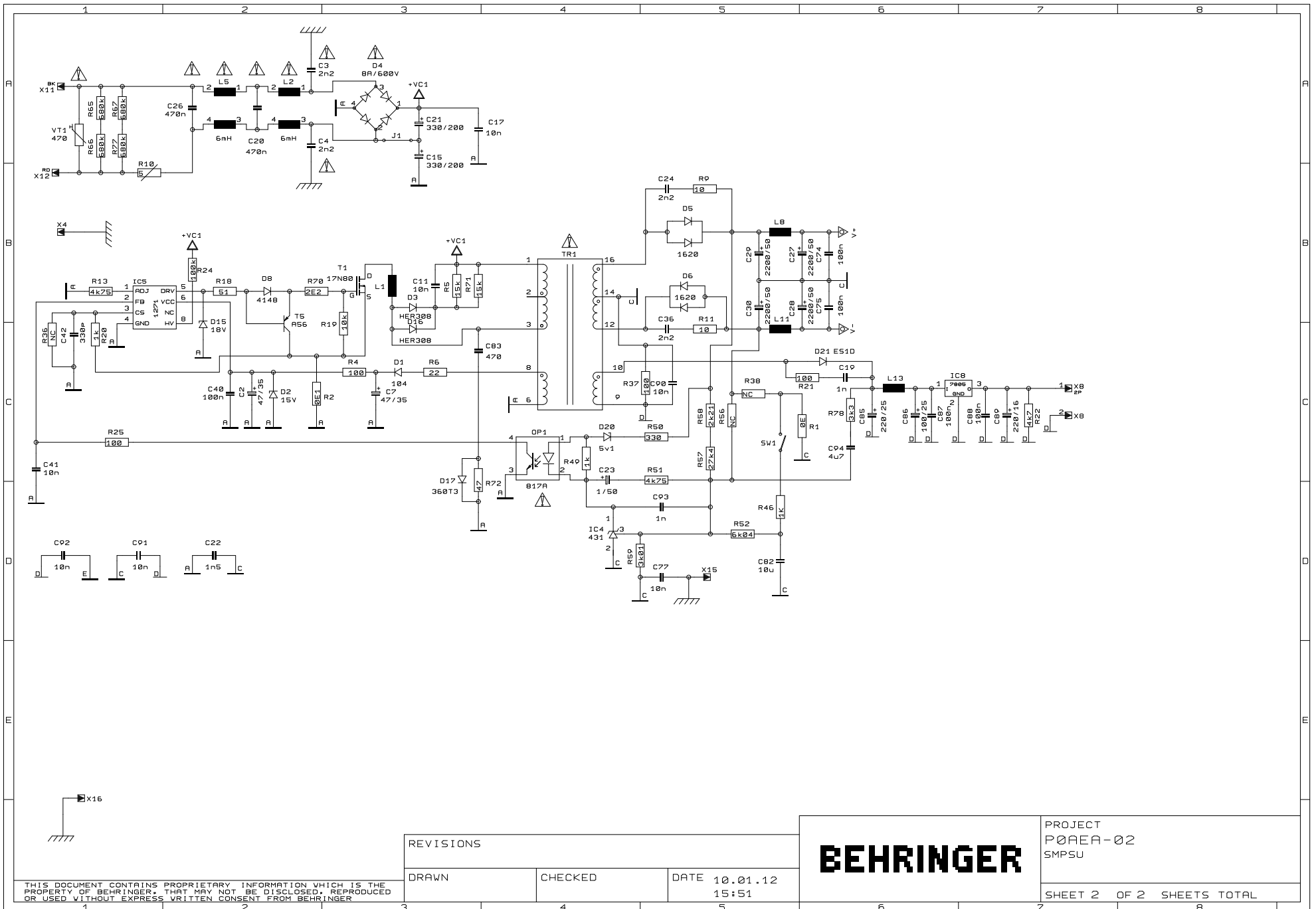


ALL INFORMATION (INCLUDING DRAWINGS AND DIAGRAMS) CONTAINED IN THIS DOCUMENT IS THE PROPERTY OF BEHRINGER ADDRESSES WHOM THE INFORMATION IS CONFIDED TO SHALL MAINTAIN THE INFORMATION IN CONFIDENCE AND SHALL NOT RELEASE IT TO ANY UNAUTHORIZED THIRD PARTIES (EXCEPT UNDER ATTORNEY CLIENT PRIVILEGE OR UNDER APPROPRIATE CONFIDENTIALITY AGREEMENTS). ANY UNAUTHORIZED DISCLOSURE, USE, APPLICATION OR ANY OTHER DEALINGS IN THE INFORMATION SHALL RESULT IN CIVIL AND/OR (WHERE APPLICABLE) CRIMINAL LIABILITIES AND PENALTIES.

DATE	2011-08-22	NAME	Sambor, CH
DRWN	2011-08-22	NAME	POAEA_01
CHKD		NAME	INPUT
APPR		NAME	
REV	CHANGES	DATE	INIT
E	UPDATED	2012-04-23	RL
D	UPDATED	2012-01-09	RL
C	UPDATED	2011-11-01	CH
B	UPDATED	2011-08-25	YJ
REV	CHANGES	DATE	INIT







Pcbs

	Quantity	Item	Rev	Description	Reference Designators	Notes
1	1.0000	G40-00000-51134		PCB;2 LAYER;P0AEA;2;C;210011;AMP	[P0AEA:02: {1.0}]	
2	1.0000	G40-00000-51163		PCB;2 LAYER;P0AEB;1;B;210011;INPUT	[P0AJN:01: {1.0}]	

Cable

	Quantity	Item	Rev	Description	Reference Designators	Notes
1	1.0000	A77-07027-20208		CABLE;STRANDWIRE;LENGTH:70mm;AWG:18;UL1015;STRIP-TIN/LUG 4mm3;S/T LENGTH:7mm;COLOR:YEL/GRN		
2	1.0000	A77-07027-92208		CABLE;STRANDWIRE;LENGTH:70mm;ZEE;AWG:18;UL1015;STRIP-TIN/LUG 4mm3;S/T LENGTH:7mm;COLOR:YEL/GRN		
3	1.0000	A77-07037-00201		CABLE;STRANDWIRE;LENGTH:70mm;AWG:18;UL1672;S/T LENGTH:7mm;COLOR:BLK		
4	1.0000	A77-07037-79201		CABLE;STRANDWIRE;LENGTH:70mm;ZEE;AWG:18;UL1672;S/T LENGTH:7mm;COLOR:BLK		
5	1.0000	A81-00000-41175		WIRE HARNESS;AWG:26;UL2547;2 MM;9;PIN1 RED;UL1007;340 MM;P1018-2P;P1018-7P;A2006H-9P;PIN7 SHIELD;special	[POAEA:02: {1.0}]	for X7,X8
6	1.0000	A88-00000-60244		CABLE;SPEAKER;AWG:18;UL1007;3.96 MM;2;BLUE;450 MM;JS4008-2P;BLUE AMP:5.2mm;BLACK AMP:5.2mm		
7	1.0000	A88-00000-43501		CABLE;SPEAKER;AWG:18;UL1007;3.96 MM;2;COMMON;PIN1 RED;360MM;JS4008;5.2mm x 0.5mm AMP;Lock tape	[POAEA:02: {1.0}(X13)]	(EU, UL, JP, UK, SAA, CCC, BR, AR, HL, SH)
8	1.0000	A76-18050-47490		CABLE;AC-CORD;LENGTH:180cm;VERSION:SAA;PLUG:HE105 ISOLATED;SAA H05VV-F 3x0.75mm2;CONN.HP-3;SPEC.NO:47490		(SAA)
9	1.0000	A77-20037-79201		CABLE;STRANDWIRE;LENGTH:200mm;ZEE;AWG:18;UL1672;S/T LENGTH:7mm;COLOR:BLK	[POAEA:02: {1.0}()]	(EU, UL, JP, UK, SAA, CCC, BR, AR, HL, SH)
10	1.0000	A77-20037-79201		CABLE;STRANDWIRE;LENGTH:200mm;ZEE;AWG:18;UL1672;S/T LENGTH:7mm;COLOR:BLK	[POAEA:02: {1.0}(X11)]	
11	1.0000	A76-15032-55649		CABLE;AC-CORD;CLASS II;W/POLYBAG;JAPAN;LENGTH:150cm;POLES:3;APPROVAL:PSE;JS15S3 + VCTF 3x0.75mm2 + V1528		(JP, HL, SH)
12	1.0000	A76-18050-06505		CABLE;AC-CORD;LENGTH:180cm;VERSION:SAA;PLUG:HE105 ISOLATED;SAA H05VV-F 3x0.75mm2;CONN.HP-3;PANYU		(SAA)
13	1.0000	A76-15212-03119		CABLE;AC-CORD;W/POLYBAG;LENGTH:152cm;H05VV-F 3G 0.75MM2;VERSION;EU;SPEC.NO:03119		(EU)
14	1.0000	A76-15222-06417		CABLE;AC-CORD;W/POLYBAG;LENGTH:152cm;AWG:18;VERSION;UL;SPEC.NO:06417		(UL)
15	1.0000	A76-15042-05624		CABLE;AC-CORD;W/POLYBAG;LENGTH:150cm;H05VV-F3G0.75MM2;VERSION;UK;SPEC.NO:05624		(UK)
16	1.0000	A88-00000-43501		CABLE;SPEAKER;AWG:18;UL1007;3.96 MM;2;COMMON;PIN1 RED;360MM;JS4008;5.2mm x 0.5mm AMP;Lock tape	[POAEA:02: {1.0}()]	
17	1.0000	A76-15062-45714		CABLE;AC-CORD;W/POLYBAG;LENGTH:150cm;POLES:3;APPROVAL:		(CCC)

	Quantity	Item	Rev	Description	Reference Designators	Notes
				CCC;HC103 + 227 IEC 53 (RVV) 3x0.75mm ² + HE109B		
18	1.0000	A76-00000-13573		CABLE;AC-CORD;3;AR;1500 MM;Plug + Connector:321+730;H05VV-F 3G0.75		(AR)
19	1.0000	A77-20037-65205		CABLE;STRANDWIRE;LENGTH:200mm;AWG:18;UL1672; S/T LENGTH:7mm;COLOR:RED	[POAEA:02: {1.0}{}]	(EU, UL, JP, UK, SAA, CCC, BR, AR, HL, SH)
20	1.0000	A76-00000-05305		CABLE;AC-CORD;3;BR;1500 MM;Plug + Connector:375+730;H05VV-F 3G0.75		(BR)
21	1.0000	A77-20037-65205		CABLE;STRANDWIRE;LENGTH:200mm;AWG:18;UL1672; S/T LENGTH:7mm;COLOR:RED	[POAEA:02: {1.0}{X12}]	

Circuit Protector

	Quantity	Item	Rev	Description	Reference Designators	Notes
1	1.0000	B22-01513-31501		FUSE;3A15;250V;SLOW BLOW;H-TYPE;5mm x 20mm		(EU, UK, SAA, CCC, AR)
2	1.0000	B22-01516-30001		FUSE;6A3;250V;SLOW BLOW;H-TYPE;5mm x 20mm		(UL, JP, BR, HL, SH)

Coil

	Quantity	Item	Rev	Description	Reference Designators	Notes
1	2.0000	B37-00000-27563		COIL;CHOKE;6 mH;ET24;L:6mH MIN1KHZ,0.25V.SG	[P0AEA:02: {2.0}{}]	
2	1.0000	B37-00000-33854		COIL;CHOKE;6 mH;ET24 L:6mH MIN1KHZ,0.25V CLICK	[P0AEA:02: {1.0}{}]	
3	5.0000	B44-30000-03404		COIL;BEAD;6A;(MURATA BL01RN1A1F1J))	[P0AEA:02: {4.0}{}] [P0AEA:02: {1.0}{}]	
4	3.0000	B39-00000-03394		COIL;SMD;BEAD;SMD0805;(BLM21BD751SN1D)	[P0AJN:01: {3.0}{}]	(EU, UL, JP, UK, SAA, CCC, BR, AR, HL, SH)
5	2.0000	B33-12200-03030		COIL;22uH;PITCH:7mm52;TURNS:11.5;RAD;(3L:FS1618-220K-B3.5)	[P0AEA:02: {2.0}(L6-L7)]	(EU, UL, JP, UK, SAA, CCC, BR, AR, HL, SH)
6	1.0000	B37-76100-05127		COIL;CHOKE;61uH;P:6MM;T10X6X5	[P0AEA:02: {1.0}{}]	(EU, UL, JP, UK, SAA, CCC, BR, AR, HL, SH)
7	2.0000	B37-08002-04144		COIL;CHOKE;8uH;15%;CORE:29 x 13mm;PITCH:10mm;6300mA	[P0AEA:02: {2.0}{}]	(EU, UL, JP, UK, SAA, CCC, BR, AR, HL, SH)
8	1.0000	B37-01603-04435		COIL;CHOKE;1uH6;UL TUBE:5 x 16m;WIRE DIA:2UEW0mm6;9.5TURNS	[P0AEA:02: {1.0}{}]	(EU, UL, JP, UK, SAA, CCC, BR, AR, HL, SH)
9	2.0000	B37-08002-04144		COIL;CHOKE;8uH;15%;CORE:29 x 13mm;PITCH:10mm;6300mA	[P0AEA:02: {2.0}(L8, L11)]	CUTOFF: IDENTIFIED FROM L-CHK-008U00-A6300
10	1.0000	B37-01603-04435		COIL;CHOKE;1uH6;UL TUBE:5 x 16m;WIRE DIA:2UEW0mm6;9.5TURNS	[P0AEA:02: {1.0}(L13)]	
11	3.0000	B39-00000-03394		COIL;SMD;BEAD;SMD0805;(BLM21BD751SN1D)	[P0AJN:01: {3.0}(L1-L3)]	
12	2.0000	B33-12200-03030		COIL;22uH;PITCH:7mm52;TURNS:11.5;RAD;(3L:FS1618-220K-B3.5)	[P0AEA:02: {2.0}{}]	
13	1.0000	B37-76100-05127		COIL;CHOKE;61uH;P:6MM;T10X6X5	[P0AEA:02: {1.0}(L12)]	

Connector

	Quantity	Item	Rev	Description	Reference Designators	Notes
1	1.0000	B95-14310-00169		CONNECTOR;XLR;PLUG;MALE;STRAIGHT;POLES:3;NO:4;(CHUNSHENG CT3-05HM)	[P0AJN:01: {1.0}(X3)]	(EU, UL, JP, UK, SAA, CCC, BR, AR, HL, SH)
2	1.0000	B83-00000-35510		COMPUTER;9;NICKEL;SOCKET;USB3.0;VERTICAL;H:24mm	[P0AJN:01: {1.0}(X1)]	(EU, UL, JP, UK, SAA, CCC, BR, AR, HL, SH)
3	2.0000	B95-14330-04222		CONNECTOR;XLR;POLES:3;COMBO JACK;FEMALE;STRAIGHT;NO:9;(CHUNSHENG CT/PJ-01H-07EP)	[P0AJN:01: {2.0}{}]	(EU, UL, JP, UK, SAA, CCC, BR, AR, HL, SH)
4	1.0000	B93-60700-03161		CONNECTOR;BARE JUMPER;WIRE DIAMETER:0mm7;LENGTH:7mm	J1]	(UL, JP, BR, HL, SH)
5	1.0000	B93-60700-03161		CONNECTOR;BARE JUMPER;WIRE DIAMETER:0mm7;LENGTH:7mm		
6	1.0000	B95-14310-00169		CONNECTOR;XLR;PLUG;MALE;STRAIGHT;POLES:3;NO:4;(CHUNSHENG CT3-05HM)	[P0AJN:01: {1.0}{}]	
7	2.0000	B95-14330-04222		CONNECTOR;XLR;POLES:3;COMBO JACK;FEMALE;STRAIGHT;NO:9;(CHUNSHENG CT/PJ-01H-07EP)	[P0AJN:01: {2.0}(X5-X6)]	
8	1.0000	B83-00000-35510		COMPUTER;9;NICKEL;SOCKET;USB3.0;VERTICAL;H:24mm	[P0AJN:01: {1.0}{}]	

Diode

	Quantity	Item	Rev	Description	Reference Designators	Notes
1	1.0000	C11-03500-10400		DIODE;HER104;DO41	[POAEA:02: {1.0}{}]	
2	2.0000	C11-17001-62050		DIODE;MUR1620CT;ULTRAFAST RECTIFIER 8A;200V;TO220AB;BRAND:ON SEMICONDUCTOR	[POAEA:02: {2.0}{}]	
3	1.0000	C12-03300-15043		DIODE;ZD15V0;BZX85C15;DO41	[POAEA:02: {1.0}{}]	
4	2.0000	C13-08210-30802		DIODE;RECTIFIER;1000V;HER308 REEL;3A;DO201AD	[POAEA:02: {2.0}{}]	
5	2.0000	C12-03300-05103		DIODE;ZD5V1;DO41	[POAEA:02: {1.0}{}] [POAEA:02: {1.0}{}]	(EU, UL, JP, UK, SAA, CCC, BR, AR, HL, SH)
6	1.0000	C12-03300-18043		DIODE;ZD18V0;BZX85C18;DO41	[POAEA:02: {1.0}(D15)]	(EU, UL, JP, UK, SAA, CCC, BR, AR, HL, SH)
7	1.0000	C13-32330-36050		DIODE;ULTRAFAST RECTIFIER;MURS360T3;600V;3A;SMC;ON-SEMI	[POAEA:02: {1.0}{}]	(EU, UL, JP, UK, SAA, CCC, BR, AR, HL, SH)
8	1.0000	C13-32330-36050		DIODE;ULTRAFAST RECTIFIER;MURS360T3;600V;3A;SMC;ON-SEMI	[POAEA:02: {1.0}(D17)]	
9	3.0000	C12-14200-05103		DIODE;ZMM05V1;SMD1206	[POAJN:01: {1.0}{}] [POAEA:02: {2.0}{}]	(EU, UL, JP, UK, SAA, CCC, BR, AR, HL, SH)
10	1.0000	C12-14200-18003		DIODE;ZMM18V0;SMD1206	[POAEA:02: {1.0}{}]	(EU, UL, JP, UK, SAA, CCC, BR, AR, HL, SH)
11	1.0000	C12-14200-05603		DIODE;ZMM05V6;SMD1206	[POAEA:02: {1.0}(D13)]	(EU, UL, JP, UK, SAA, CCC, BR, AR, HL, SH)
12	1.0000	C12-14200-18003		DIODE;ZMM18V0;SMD1206	[POAEA:02: {1.0}(D12)]	
13	2.0000	C12-03300-05103		DIODE;ZD5V1;DO41	[POAEA:02: {1.0}(D14)] [POAEA:02: {1.0}(D19)]	
14	1.0000	C14-20430-00024		DIODE;SUPERFAST;ES1D;200V;1A;15NS;DO-214AC;SMD	[POAEA:02: {1.0}(D21)]	(EU, UL, JP, UK, SAA, CCC, BR, AR, HL, SH)
15	1.0000	C14-20430-00024		DIODE;SUPERFAST;ES1D;200V;1A;15NS;DO-214AC;SMD	[POAEA:02: {1.0}{}]	
16	10.0000	C11-09014-14802		DIODE;LL4148;LL34;TEMIC OR FC	[POAJN:01: {5.0}{}] [POAEA:02: {5.0}{}]	(EU, UL, JP, UK, SAA, CCC, BR, AR, HL, SH)
17	1.0000	C12-03300-18043		DIODE;ZD18V0;BZX85C18;DO41	[POAEA:02: {1.0}{}]	
18	3.0000	C12-14200-05103		DIODE;ZMM05V1;SMD1206	[POAJN:01: {1.0}(D1)] [POAEA:02: {2.0}(D20, R79)]	
19	1.0000	C12-14200-05603		DIODE;ZMM05V6;SMD1206	[POAEA:02: {1.0}{}]	
20	1.0000	C12-14200-04703		DIODE;ZMM04V7;SMD1206;SMD	[POAJN:01: {1.0}{}]	(EU, UL, JP, UK, SAA, CCC, BR, AR, HL, SH)
21	1.0000	C12-14200-04703		DIODE;ZMM04V7;SMD1206;SMD	[POAJN:01: {1.0}(D5)]	
22	10.0000	C11-09014-14802		DIODE;LL4148;LL34;TEMIC OR FC	[POAJN:01: {5.0}(D2-D4, D10-D11)] [POAEA:02: {5.0}{}]	

Hardware

	Quantity	Item	Rev	Description	Reference Designators	Notes
1	2.0000	F83-04000-00021		CABLE TIE;NYLON;4in;COLOR:		
2	3.6900	F84-01800-09286		THERM-GREASE;COLOR:WHT;SPEC.NO:09286	[POAEA:02: {1.69}]	
3	0.1000	F84-03000-01090		SCREWLOCK;SPEC.NO:01090		
4	4.0000	F85-00000-09365		NUT;M;3 MM;3.2 MM;HEX WASHER;7.3 MM;ZINC;BLUE;HEXAGON REC.;0.5 MM;M3*0.5mm NUT WITH TEETH EXTERNAL WASHER		
5	2.0000	F87-00000-42527		RUBBER;BLACK;RUBBER FOOT;POAEA CABINET;70D		
6	1.0000	F87-00000-42533		SILICON RUBBER;BLACK;CABLE BUSHING;POAEA CABINET;30D		
7	1.0000	F87-00100-14686		GAP PAD;SIZE:35.5*27*3mm;P0813;DST.NO:001;DPT.NO:14686;(I00508P-GAP_PAD-REVA)		
8	2.0000	F88-00000-57845		SCREW;A;4 MM;35 MM;OVAL;ZINC;BLACK;PHILIPS REC.;1.63 MM;SC;A4*35mm;HEAD:OVAL;BLK/ZNC		
9	15.0000	F88-30080-50291		SCREW;M3mm*8mm;HEAD:FLAT;INSERT:PHILLIPS REC.;SURFACE:SILVER/ZINC		
10	2.0000	F88-30080-50297		SCREW;M3mm*8mm;HEAD:FLAT;INSERT:PHILLIPS REC.;SURFACE:ZINC/BLACK		
11	10.0000	F88-30081-20291		SCREW;M03mm*08mm;HEAD:PAN SPRING WASHER;INSERT:PHILIPS REC.;SURFACE:SILVER/ZINC		
12	10.0000	F88-30100-30217		SCREW;A3mm*10mm;HEAD:PAN;INSERT:PHILIPS REC.;SURFACE:BLACK/ZINC		
13	1.0000	F88-30103-20293		SCREW;M3mm*10mm;PITCH:0mm5;HEAD:FLAT;HEAD DIA:6mm;INSERT:PHILIPS REC.;SURFACE:CR(III)		
14	2.0000	F88-30180-50297		SCREW;M3mm*18mm;HEAD:FLAT;INSERT:PHILIPS REC.;SURFACE:BLACK/ZINC		
15	1.0000	F88-40080-20291		SCREW;M4mm*8mm;HEAD:BINDING;INSERT:PHILIPS REC.;SURFACE:SILVER/ZINC		
16	4.0000	F88-40100-20297		SCREW;M4mm*10mm;HEAD:BINDING;INSERT:PHILIPS REC.;SURFACE:BLACK/ZINC		
17	15.0000	F88-40180-20217		SCREW;A4mm*18mm;HEAD:BINDING;INSERT:PHILIPS REC.;SURFACE:BLACK/ZINC		
18	11.0000	F88-40190-40217		SCREW;A4mm*19mm;HEAD:TRUSS;INSERT:PHILIPS REC.;SURFACE:BLACK/ZINC		
19	12.0000	F88-40310-20217		SCREW;A4mm*31mm;HEAD:BINDING;INSERT:PHILIPS REC.;SURFACE:BLACK/ZINC		
20	4.0000	F88-50180-30217		SCREW;A5mm*18mm;HEAD:PAN;INSERT:PHILIPS REC.;SURFACE:BLACK/ZINC		
21	1.0000	F89-00000-42538		INSULATION SHEET;P0000;CERAMIC SHEET;28X22X1MM;REVA		
22	1.0000	F89-00000-45335		INSULATION SHEET;SILICON SHEET;23X48X0.5;REVA		

	Quantity	Item	Rev	Description	Reference Designators	Notes
23	1.0000	F89-00000-45459		SILICON SHEET;24X42X0.5;HOLE 3.2;REVA		
24	1.0000	F89-00000-49269		INSULATION SHEET;CERAMIC AL2O3;21.5X19X2MM;REVA		
25	1.0000	F89-00000-54708		INSULATION SHEET;WHITE;CERAMIC SHEET;ALO3,TO7294;T=0.6MM		
26	1.0000	F91-02020-05792		SILICA GEL;MASS;20g;SPEC.NO:20QB-BB2001-4		
27	0.0130	F95-00000-17025		SHRINKING TUBE;BLACK;HEAT SHRINK;EARTH	[POAEA:02: {0.013}]	
28	0.0900	F95-01000-43217		SHRINKING TUBE;INNER DIA;1mm;SPEC.NO:43217	[POAEA:02: {0.09}]	
29	0.0600	F95-05200-16898		SHRINKING TUBE;INNER DIA:5mm2;SPEC.NO:16898;		
30	0.0900	F95-06000-01099		SHRINKING TUBE;INNER DIA;6mm;SPEC.NO:01099	[POAEA:02: {0.09}]	
31	1.0000	F96-00000-53947		WASHER;GASKET;POAJM;TWEETER;BLACK EVA		
32	1.0000	F96-10300-80105		WASHER;PLAIN;INNER DIA:3mm;OUTER DIA:8mm;THICKNESS;1mm;PLATING;NICKEL		
33	4.0000	F96-10401-00109		WASHER;PLAIN;INNER DIA:4mm;OUTER DIA:10mm;THICKNESS;1mm;PLATING;BLACK/ZINC		
34	4.0000	F96-20420-70177		WASHER;SPRING;INNER DIA:4mm2;OUTER DIA:7mm;THICKNESS:1mm7;PLATING:BLACK/ZINC		
35	1.0000	F96-30400-80080		WASHER;INTERNAL TEETH;INNER DIA:4mm;OUTER DIA:8mm;THICKNESS;0mm8		
36	1.0000	F97-00000-46732		INSULATION SHEET;TRANSPARENT;PC SHEET;POAEA SMPSU;94V0;REVB		
37	1.0000	F97-00000-53721		ACOUSTICAL FOAM;WHITE;PLASTIC;POAJM;SHEET;4000#;T=20MM		
38	1.0000	F97-00000-53749		OTHER;RUBBER GASKET;POAJM;CABINET;3.2x2.0x1730mm;BLACK		
39	1.0000	F98-04400-27886		BUSHING;MINIATURE;NYLON;DWG.NO:27886;(R20-SC- PLA_NYLBUSHM3x1_4.DWG)		

Ic

	Quantity	Item	Rev	Description	Reference Designators	Notes
1	1.0000	C61-00000-25289		IC;POWER AMP;SOP;P-AMP;TDA8954TH;HSOP24;SMD	[P0AEA:02: {1.0}{}]	CUTOFF: IDENTIFIED FROM IC-P/AMP/TDA8954TH/*
2	1.0000	C61-43729-36315		IC;POWER-AMP;TDA7293;100W;MULTIWATT-15	[P0AEA:02: {1.0}{}]	
3	1.0000	C74-09043-10803		IC;VOLT.REGULATOR;TL431C;TO92;TAPING	[P0AEA:02: {1.0}{}]	
4	1.0000	C75-00127-12207		IC;PWM CONTROLLER;NCP1271D65R2G;SOIC	[P0AEA:02: {1.0}{}]	
5	1.0000	C77-05107-03110		IC;VOLT.REGULATOR;7805F;FULLPACK;TO220	[P0AEA:02: {1.0}{}]	
6	1.0000	C77-15107-03110		IC;VOLT.REGULATOR;7815F;FULLPACK;TO220	[P0AEA:02: {1.0}{}]	
7	1.0000	C77-15207-03110		IC;VOLT.REGULATOR;7915F;FULLPACK;TO220	[P0AEA:02: {1.0}{}]	
8	4.0000	C73-31007-40514		IC;OPAMP OPAMP;TL074;SOP;BRAND:ST ONLY	[P0AJN:01: {3.0}{IC6-IC7, IC13}] [P0AEA:02: {1.0}{}]	(EU, UL, JP, UK, SAA, CCC, BR, AR, HL, SH)
9	1.0000	C78-55133-90514		IC;COMPARATOR;(SGS ONLY);LM339;SOP;SMD	[P0AJN:01: {1.0}{IC16}]	(EU, UL, JP, UK, SAA, CCC, BR, AR, HL, SH)
10	7.0000	C73-00000-29050		IC;OPAMP;SMD;SOP;8;BA4580RF	[P0AJN:01: {7.0}{}]	(EU, UL, JP, UK, SAA, CCC, BR, AR, HL, SH)
11	4.0000	C73-31007-40514		IC;OPAMP OPAMP;TL074;SOP;BRAND:ST ONLY	[P0AJN:01: {3.0}{}] [P0AEA:02: {1.0}{}]	
12	1.0000	C78-55133-90514		IC;COMPARATOR;(SGS ONLY);LM339;SOP;SMD	[P0AJN:01: {1.0}{}]	
13	7.0000	C73-00000-29050		IC;OPAMP;SMD;SOP;8;BA4580RF	[P0AJN:01: {7.0}{IC1-IC5, IC8-IC9}]	

Led

	Quantity	Item	Rev	Description	Reference Designators	Notes
1	1.0000	E10-57630-05113		LED;HIGH BRIGHT;RD	[P0AJN:01: {1.0}]	
2	3.0000	E12-57630-00590		LED;3mm ROUND;RD	[P0AJN:01: {3.0}{LD1-LD2, LD9}]	(EU, UL, JP, UK, SAA, CCC, BR, AR, HL, SH)
3	2.0000	E10-53565-00588		LED;HIGH BRIGHT;3mm ROUND;GN	[P0AJN:01: {2.0}{}]	(EU, UL, JP, UK, SAA, CCC, BR, AR, HL, SH)
4	3.0000	E12-57630-00590		LED;3mm ROUND;RD	[P0AJN:01: {3.0}{}]	
5	2.0000	E10-53565-00588		LED;HIGH BRIGHT;3mm ROUND;GN	[P0AJN:01: {2.0}{LD6-LD7}]	
6	1.0000	E10-00000-28401		LED;3mm0 ROUND;AMBER;BULK;NORMAL BRIGHT;W/RING;lv:Typ.60mcd	[P0AJN:01: {1.0}{LD3}]	(EU, UL, JP, UK, SAA, CCC, BR, AR, HL, SH)
7	1.0000	E10-00000-28401		LED;3mm0 ROUND;AMBER;BULK;NORMAL BRIGHT;W/RING;lv:Typ.60mcd	[P0AJN:01: {1.0}{}]	

Manual

	Quantity	Item	Rev	Description	Reference Designators	Notes
1	1.0000	A56-00000-56789		SERVICE INFORMATION SHEET;P0000;EN;Contact Information Sheet;EN;REV:002		
2	1.0000	A57-00003-12001		PRODUCT LEAFLET;FOR 2008 FULL LINE CATALOG		
3	1.0000	A52-00000-42338		WARRANTY CARD;P0000;EN;REV:001		(AR)
4	1.0000	A54-00000-52350		QUICK START GUIDE;P0AEB;WW;REV:001		(EU, UL, UK, SAA, BR, AR)
5	1.0000	A54-00000-52352		QUICK START GUIDE;P0AEB;ZH;REV:001		(CCC)
6	1.0000	A52-00000-40142		WARRANTY CARD;P0000;JA;DATE:01.07.2011;REVD		(JP, HL, SH)
7	1.0000	A54-00000-52354		QUICK START GUIDE;P0AEB;JA;REV:001		(JP, HL, SH)

Metal Part

	Quantity	Item	Rev	Description	Reference Designators	Notes
1	1.0000	A63-00000-38485		METAL;P0AEA;ALU 3.0mm;HEATSINK;PUNCHING AND BENDING;MET;SMPS;REVA		
2	1.0000	A63-00000-38497		METAL;P0AEA;ALU 2.0mm;HEATSINK;EXTRUSION, CUTTING;MET;SMPS;TRANSFORMER;REVA		
3	1.0000	A63-00000-46789		METAL;P0AEA;ALU 2.0mm;COVER;BENDING + STAMPING;MET;HEATSINK COVER;SMPS;REVB		
4	1.0000	A65-00000-45599		METAL;P0AJM;SPCC 0.8mm;GRILL;BENDING + PUNCHING;SPRAYING;PANTONE 8402C METTALIC;SPEAKER GRILL;REVA		
5	1.0000	A65-00100-12959		METAL;BRACKET IC;P0642;DST.NO:001;DPT.NO:12959;(P0642-BRACKET_IC-REVA.DWG)		
6	2.0000	A65-00100-15617		METAL IC CLIP;P0957;METAL;DST.NO:001;DPT.NO:15617;(P0957-IC_CLIP-REVA.DWG)		
7	1.0000	A65-00200-04931		METAL CLIP;IC RETAINER 03;LM3886;DST.NO:002;DPT.NO:04931;(BXL450A-RETAINER_SPRING-LM3886-REVB.DWG)		
8	1.0000	A65-00200-05039		METAL CLIP;IC RETAINER 05;I00023P;TO247;DST.NO:002;DPT.NO:05039;(I00023P-RETAINER_SPRING_TO247-REVB.DWG)		
9	1.0000	J00-00000-63507		METAL;P0AJN;SECC 1.5mm;PANEL;BENDING + STAMPING;SPRAYING;BLACK;REAR;B004		

Packaging Part

	Quantity	Item	Rev	Description	Reference Designators	Notes
1	1.0000	G25-00000-49799		POLYFOAM;P0AJM;P0AJM-POLYFOAM-TOP_LEFT		
2	1.0000	G25-00000-49821		POLYFOAM;P0AJM;P0AJM-POLYFOAM-TOP_RIGHT		
3	1.0000	G25-00000-49829		POLYFOAM;P0AJM;P0AJM-POLYFOAM-BOTTOM_LEFT		
4	1.0000	G25-00000-49832		POLYFOAM;P0AJM;P0AJM-POLYFOAM-BOTTOM_RIGHT		
5	1.0000	G28-20090-14010		PE BAG;SIZE:9in*14in;W/WARNING		
6	1.0000	G28-20400-25239		PE BAG;BX300;SIZE:40cm+25cm*85cm;W/WARNING AND PUNCHING HOLES		
7	1.0000	I40-00000-56549		MASTER CARTON;P0AJN;A000		

Plastic Part

	Quantity	Item	Rev	Description	Reference Designators	Notes
1	2.0000	G52-00100-13392		PLASTIC ROTARY KNOB;I00470P;CAP:WHITE;DST.NO:001;DPT.NO:13392;(I00470P-KNOB_ROTARY-REVA.DWG)		
2	2.0000	G52-00100-13393		PLASTIC ROTARY KNOB;I00470P;CAP:289C;DST.NO:001;DPT.NO:13393;(I0470P-KNOB_ROTARY-REVA.DWG)		
3	1.0000	G56-00000-41457		PLASTIC;P0AJM;GXPP HG168A150;CABINET;INJECTION;BLACK;FRONT CABINET		
4	1.0000	G56-00000-41465		PLASTIC;P0AJM;GXPP HG168A150;CABINET;INJECTION;BLACK;REAR CABINET		
5	1.0000	G58-00000-14199		PLASTIC;P0A2E;HOUSING;BLACK;LD-OPT01;DIM:8*10mm;LDOPT01HOUSING-REVE	[P0AJN:01: {1.0}]	
6	1.0000	G58-00000-32124		PLASTIC;P0AEA;ABS 765A;COVER;BLACK;AC COVER;94V0;REVA		
7	1.0000	G58-00000-58191		PLASTIC;P0AEA;HIPS SG-910;HANDLE;INJECTION;YS2280;GREY;TOP HANDLE;REVB		
8	2200.0000	G58-00100-03986		GASKET;SPEAKER;RGA10EVA1_5A;10in;MATERIAL:EVA;BLACK;WIDTH:10mm;HEIGHT:1mm5;DST.NO:001;DPT.NO:03986;(LS-RGA10EVA1_5A-REVA.DWG)		for woofer
9	6.0000	G58-00100-12110		PLASTIC;LED SPACER;P0739;DST.NO:001;DPT.NO:12110;(P0739-LED_SPACER-REVA.DWG)	[P0AJN:01: {6.0}]	
10	1.0000	I63-00000-45313		PLASTIC;P0000;BEHLOGO12;68.38mm;A001		

Plug Socket

	Quantity	Item	Rev	Description	Reference Designators	Notes
1	1.0000	G67-40103-55373		SOCKET;AC;SCREW MOUNT;FUSED;UL94V-0;15A/250VAC;FOR AMP CONN;COLOR:BLK;POLES:03;(SUPERCOR SC-9F-21)		
2	1.0000	G71-23109-04748		PLUG;WAFER;P:2mm;1 ROW;STRAIGHT;POLES:09;TYPE:A2006WV-9P	[POAJN:01: {1.0}(X7)]	(EU, UL, JP, UK, SAA, CCC, BR, AR, HL, SH)
3	1.0000	G71-23109-04748		PLUG;WAFER;P:2mm;1 ROW;STRAIGHT;POLES:09;TYPE:A2006WV-9P	[POAJN:01: {1.0}()]	

Power Supply

	Quantity	Item	Rev	Description	Reference Designators	Notes
1	1.0000	J69-00000-42608		TRAFO;SWITCH MODE;P0AEA;EU 120/230V;350uH;SUPERWORLD PN:R17-19-00992	[P0AEA:02: {1.0}]	CUTOFF: 2POSSIBLE CHOICES
2	1.0000	J69-00000-45010		TRAFO;SWITCH MODE;P0AEA;EU 120/230;EU;350uH;DA XIN PN:KB1332-17285	[P0AEA:02: {1.0}(TR1)]	(EU, UL, JP, UK, SAA, CCC, BR, AR, HL, SH)
3	1.0000	J69-00000-45010		TRAFO;SWITCH MODE;P0AEA;EU 120/230;EU;350uH;DA XIN PN:KB1332-17285	[P0AEA:02: {1.0}()]	

Raw Material

	Quantity	Item	Rev	Description	Reference Designators	Notes
1	7.8000	E41-50088-50456		HOTMELT;ZL;HS-88A	[P0AEA:02: {0.8}]	
2	7.0000	E41-60116-04068		GLUE;SUN-DA;SILCONE;SW-116-A	[P0AEA:02: {7.0}]	
3	2.9500	E41-60268-50457		GLUE;SUNYES;820		
4	0.1000	E48-30100-09267		EPOXY COATING TRANSPARENT(DP-100 PLUS) 50ML/PAK	[POAJN:01: {0.1}]	
5	0.1000	E48-30270-05114		EPOXY COATING BLACK (DP-270) 50ML/PAK	[POAJN:01: {0.1}]	
6	1.0000	E49-01025-05466		CORE;FERRITE;TOROID;OUTER DIA;25mm;SPEC.NO:05466;FCORE25MM		
7	0.0020	E64-01000-09284		MIXING NOZZLE;TO PLACE DP-270 EPOXY;SPEC.NO:09284	[POAJN:01: {0.0020}]	

Potentiometer

	Quantity	Item	Rev	Description	Reference Designators	Notes
1	2.0000	I03-87951-01889		POTENTIOMETER;100Kohm;TAPER:W;MONO;SHAFT:30 MM;W/O CC;HIGH TORQUE;(TOPROOT RK093NVA01-F30B12-W100K(300)-O-H)	[P0AJN:01: {2.0}(VR2-VR3)]	(EU, UL, JP, UK, SAA, CCC, BR, AR, HL, SH)
2	2.0000	I03-85245-01974		POTENTIOMETER;50Kohm;TAPER:B;MONO;SHAFT:30M M;W/ CC;HIGH TORQUE;(TOPROOT RK093NVA01-F30B12-B50K(300)-CC-O-H)	[P0AJN:01: {2.0}(VR1, VR4)]	(EU, UL, JP, UK, SAA, CCC, BR, AR, HL, SH)
3	2.0000	I03-85245-01974		POTENTIOMETER;50Kohm;TAPER:B;MONO;SHAFT:30M M;W/ CC;HIGH TORQUE;(TOPROOT RK093NVA01-F30B12-B50K(300)-CC-O-H)	[P0AJN:01: {2.0}()]	
4	2.0000	I03-87951-01889		POTENTIOMETER;100Kohm;TAPER:W;MONO;SHAFT:30 MM;W/O CC;HIGH TORQUE;(TOPROOT RK093NVA01-F30B12-W100K(300)-O-H)	[P0AJN:01: {2.0}()]	

Speaker Part

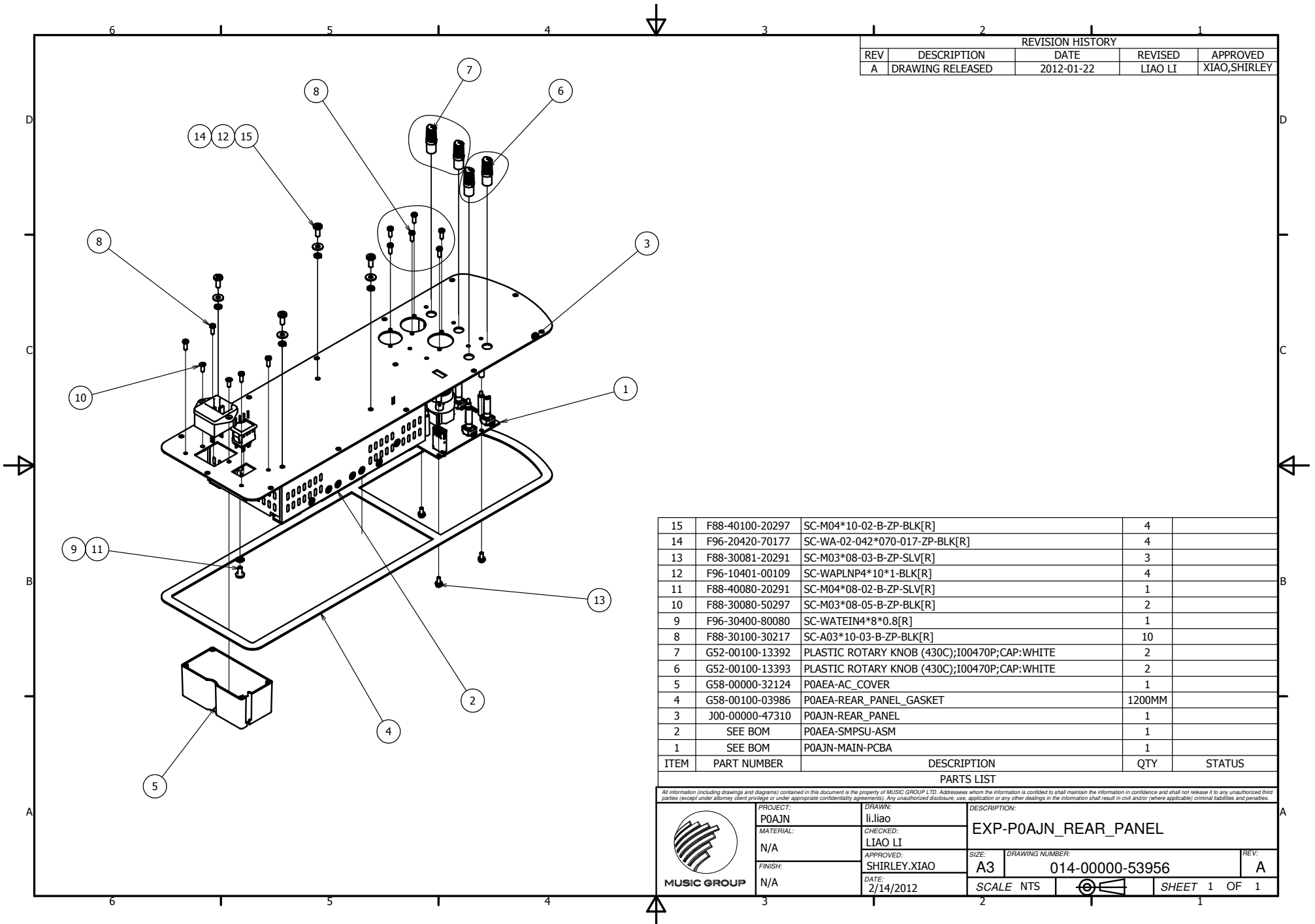
	Quantity	Item	Rev	Description	Reference Designators	Notes
1	1.0000	H76-00000-54468		TWEETER;8 OHMS;LS-25T100A8		
2	1.0000	H77-00000-56145		WOOFER;6.8 OHMS;P0ARX;12W800A8;12in;8ohm;800W;REV:A		

Switch

	Quantity	Item	Rev	Description	Reference Designators	Notes
1	1.0000	I84-02211-00140		SWITCH;ROCKER;1P1T;WHITE LINE MARKING RADIAL;LOCKING;NONSHORT;APPROVAL: UL94V0;(SOLTEAM MR22-FBBB-F2		

Transistor

	Quantity	Item	Rev	Description	Reference Designators	Notes
1	1.0000	J71-40178-03203		TRANSISTOR;SPW17N80C2;TO247	[P0AEA:02: {1.0}{}]	
2	1.0000	J73-08005-61703		TRANSISTOR;MBTA56;SOT	[P0AEA:02: {1.0}{}]	
3	2.0000	J74-10011-31703		TRANSISTOR;SST113;SOT	[P0AEA:02: {2.0}{}]	
4	2.0000	J73-08000-61703		TRANSISTOR;MBTA06;SOT	[P0AJN:01: {2.0}{}]	(EU, UL, JP, UK, SAA, CCC, BR, AR, HL, SH)
5	1.0000	J73-56017-01703		TRANSISTOR;MMBF170LT1;SOT	[P0AJN:01: {1.0}{T19}]	(EU, UL, JP, UK, SAA, CCC, BR, AR, HL, SH)
6	2.0000	J73-16390-62803		TRANSISTOR;MMBT3906;SOT23;SMD	[P0AJN:01: {2.0}{T10, T20}]	(EU, UL, JP, UK, SAA, CCC, BR, AR, HL, SH)
7	1.0000	J70-15332-61703		TRANSISTOR;2SC3326B;SOT	[P0AJN:01: {1.0}{}]	(EU, UL, JP, UK, SAA, CCC, BR, AR, HL, SH)
8	4.0000	J73-16390-46603		TRANSISTOR;MMBT3904LT1;SOT23;SMD	[P0AJN:01: {4.0}{}]	(EU, UL, JP, UK, SAA, CCC, BR, AR, HL, SH)
9	4.0000	J73-16390-46603		TRANSISTOR;MMBT3904LT1;SOT23;SMD	[P0AJN:01: {4.0}{T2-T5}]	
10	1.0000	J70-15332-61703		TRANSISTOR;2SC3326B;SOT	[P0AJN:01: {1.0}{T22}]	
11	2.0000	J73-16390-62803		TRANSISTOR;MMBT3906;SOT23;SMD	[P0AJN:01: {2.0}{}]	
12	1.0000	J73-56017-01703		TRANSISTOR;MMBF170LT1;SOT	[P0AJN:01: {1.0}{}]	
13	2.0000	J73-08000-61703		TRANSISTOR;MBTA06;SOT	[P0AJN:01: {2.0}{T1, T23}]	



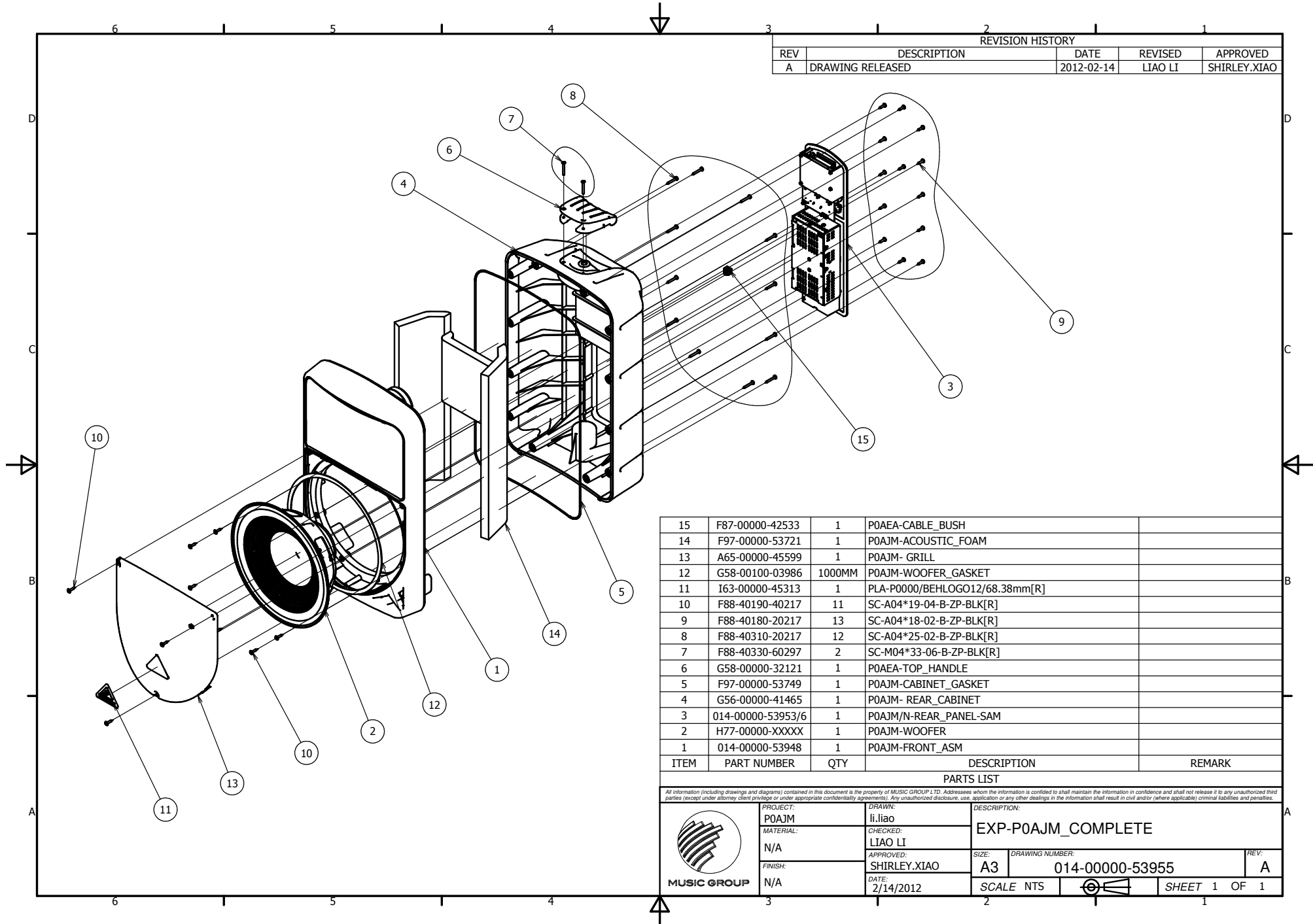
REVISION HISTORY				
REV	DESCRIPTION	DATE	REVISED	APPROVED
A	DRAWING RELEASED	2012-01-22	LIAO LI	XIAO,SHIRLEY

ITEM	PART NUMBER	DESCRIPTION	QTY	STATUS
15	F88-40100-20297	SC-M04*10-02-B-ZP-BLK[R]	4	
14	F96-20420-70177	SC-WA-02-042*070-017-ZP-BLK[R]	4	
13	F88-30081-20291	SC-M03*08-03-B-ZP-SLV[R]	3	
12	F96-10401-00109	SC-WAPLNP4*10*1-BLK[R]	4	
11	F88-40080-20291	SC-M04*08-02-B-ZP-SLV[R]	1	
10	F88-30080-50297	SC-M03*08-05-B-ZP-BLK[R]	2	
9	F96-30400-80080	SC-WATEIN4*8*0.8[R]	1	
8	F88-30100-30217	SC-A03*10-03-B-ZP-BLK[R]	10	
7	G52-00100-13392	PLASTIC ROTARY KNOB (430C);I00470P;CAP:WHITE	2	
6	G52-00100-13393	PLASTIC ROTARY KNOB (430C);I00470P;CAP:WHITE	2	
5	G58-00000-32124	POAEA-AC_COVER	1	
4	G58-00100-03986	POAEA-REAR_PANEL_GASKET	1200MM	
3	J00-00000-47310	POAJN-REAR_PANEL	1	
2	SEE BOM	POAEA-SMP5U-ASM	1	
1	SEE BOM	POAJN-MAIN-PCBA	1	

PARTS LIST

All information (including drawings and diagrams) contained in this document is the property of MUSIC GROUP LTD. Addresseees whom the information is confided to shall maintain the information in confidence and shall not release it to any unauthorized third parties (except under attorney-client privilege or under appropriate confidentiality agreements). Any unauthorized disclosure, use, application or any other dealings in the information shall result in civil and/or (where applicable) criminal liabilities and penalties.

	PROJECT:	li.liao	DESCRIPTION:	
	MATERIAL:	N/A	EXP-POAJN_REAR_PANEL	
	FINISH:	N/A	SIZE:	A3
	DATE:	2/14/2012	DRAWING NUMBER:	014-00000-53956
DRAWN:		SHIRLEY.XIAO	REV:	A
CHECKED:		LIAO LI	SCALE	NTS
APPROVED:			SHEET 1 OF 1	



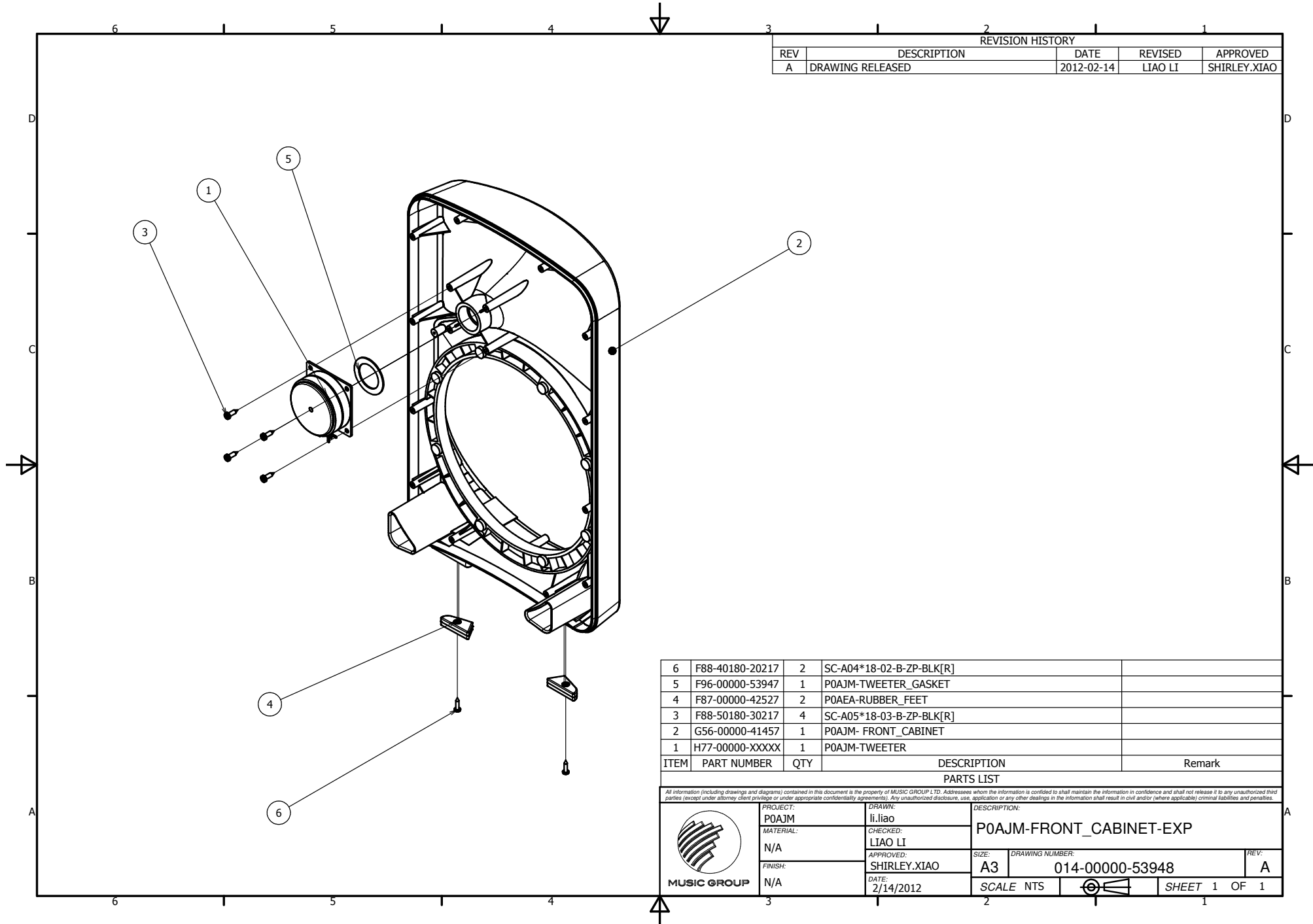
REVISION HISTORY				
REV	DESCRIPTION	DATE	REVISED	APPROVED
A	DRAWING RELEASED	2012-02-14	LIAO LI	SHIRLEY.XIAO

ITEM	PART NUMBER	QTY	DESCRIPTION	REMARK
15	F87-00000-42533	1	P0AEA-CABLE_BUSH	
14	F97-00000-53721	1	P0AJM-ACOUSTIC_FOAM	
13	A65-00000-45599	1	P0AJM- GRILL	
12	G58-00100-03986	1000MM	P0AJM-WOOFER_GASKET	
11	I63-00000-45313	1	PLA-P0000/BEHLOGO12/68.38mm[R]	
10	F88-40190-40217	11	SC-A04*19-04-B-ZP-BLK[R]	
9	F88-40180-20217	13	SC-A04*18-02-B-ZP-BLK[R]	
8	F88-40310-20217	12	SC-A04*25-02-B-ZP-BLK[R]	
7	F88-40330-60297	2	SC-M04*33-06-B-ZP-BLK[R]	
6	G58-00000-32121	1	P0AEA-TOP_HANDLE	
5	F97-00000-53749	1	P0AJM-CABINET_GASKET	
4	G56-00000-41465	1	P0AJM- REAR_CABINET	
3	014-00000-53953/6	1	P0AJM/N-REAR_PANEL-SAM	
2	H77-00000-XXXXX	1	P0AJM-WOOFER	
1	014-00000-53948	1	P0AJM-FRONT_ASM	

PARTS LIST

All information (including drawings and diagrams) contained in this document is the property of MUSIC GROUP LTD. Addressees whom the information is confided to shall maintain the information in confidence and shall not release it to any unauthorized third parties (except under attorney-client privilege or under appropriate confidentiality agreements). Any unauthorized disclosure, use, application or any other dealings in the information shall result in civil and/or (where applicable) criminal liabilities and penalties.

	PROJECT:	POAJM	DRAWN:	li.liao	DESCRIPTION:		EXP-POAJM_COMPLETE	
	MATERIAL:	N/A	CHECKED:	LIAO LI	SIZE:	A3		
	FINISH:	N/A	APPROVED:	SHIRLEY.XIAO	DRAWING NUMBER:	014-00000-53955	REV:	A
	DATE:	2/14/2012	SCALE:	NTS	SHEET 1 OF 1			

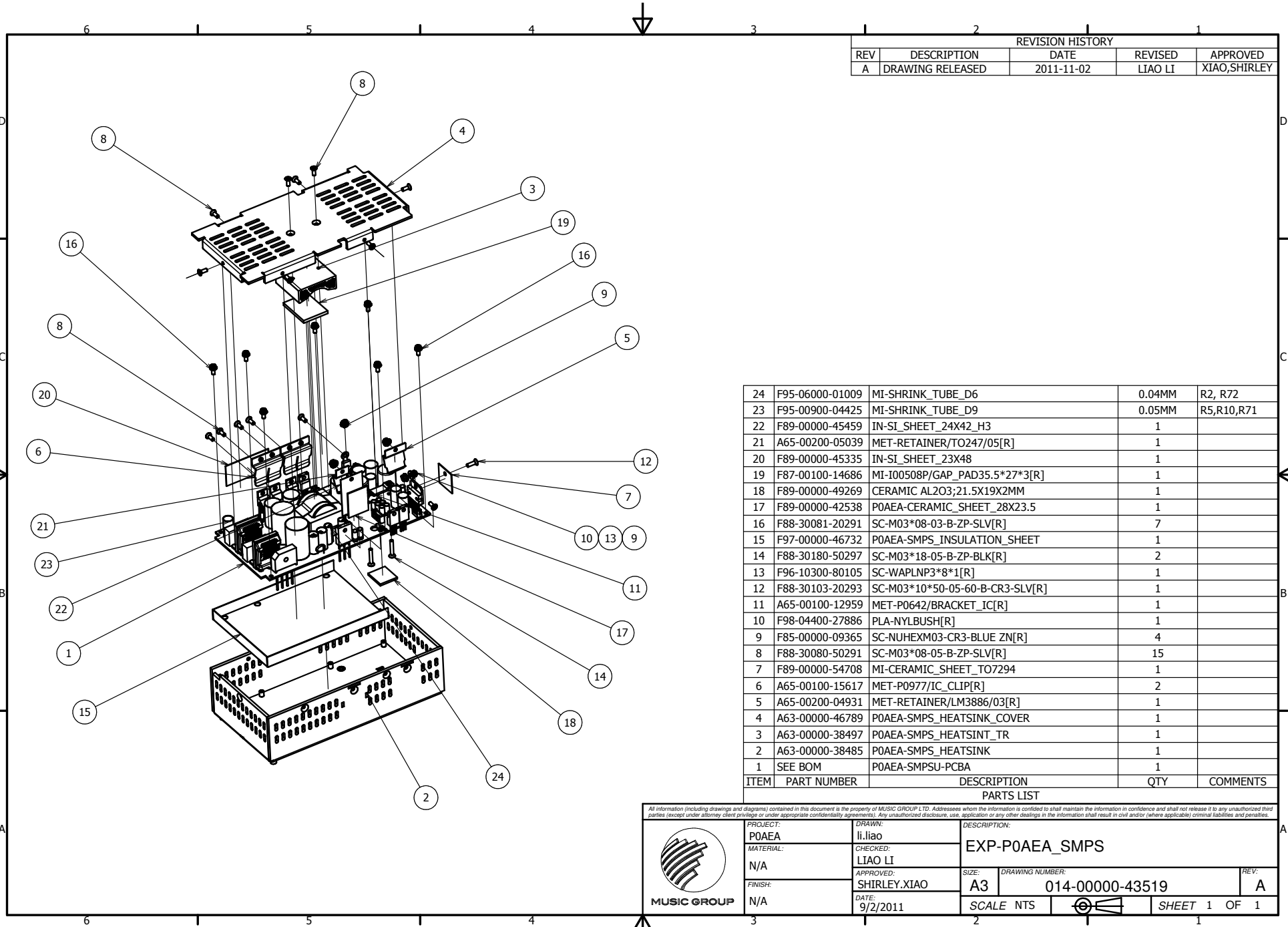


REVISION HISTORY				
REV	DESCRIPTION	DATE	REVISED	APPROVED
A	DRAWING RELEASED	2012-02-14	LIAO LI	SHIRLEY.XIAO

ITEM	PART NUMBER	QTY	DESCRIPTION	Remark
6	F88-40180-20217	2	SC-A04*18-02-B-ZP-BLK[R]	
5	F96-00000-53947	1	POAJM-TWEETER_GASKET	
4	F87-00000-42527	2	POAEA-RUBBER_FEET	
3	F88-50180-30217	4	SC-A05*18-03-B-ZP-BLK[R]	
2	G56-00000-41457	1	POAJM- FRONT_CABINET	
1	H77-00000-XXXXX	1	POAJM-TWEETER	

PARTS LIST

<small>All information (including drawings and diagrams) contained in this document is the property of MUSIC GROUP LTD. Addresseees whom the information is confided to shall maintain the information in confidence and shall not release it to any unauthorized third parties (except under attorney-client privilege or under appropriate confidentiality agreements). Any unauthorized disclosure, use, application or any other dealings in the information shall result in civil and/or (where applicable) criminal liabilities and penalties.</small>							
	PROJECT:	POAJM	DRAWN:	li.liao			
	MATERIAL:	N/A	CHECKED:	LIAO LI			
	FINISH:	N/A	APPROVED:	SHIRLEY.XIAO			
	DATE:	2/14/2012	DESCRIPTION:	POAJM-FRONT_CABINET-EXP			
		SIZE:	A3	DRAWING NUMBER:	014-00000-53948	REV:	A
		SCALE	NTS			SHEET 1 OF 1	



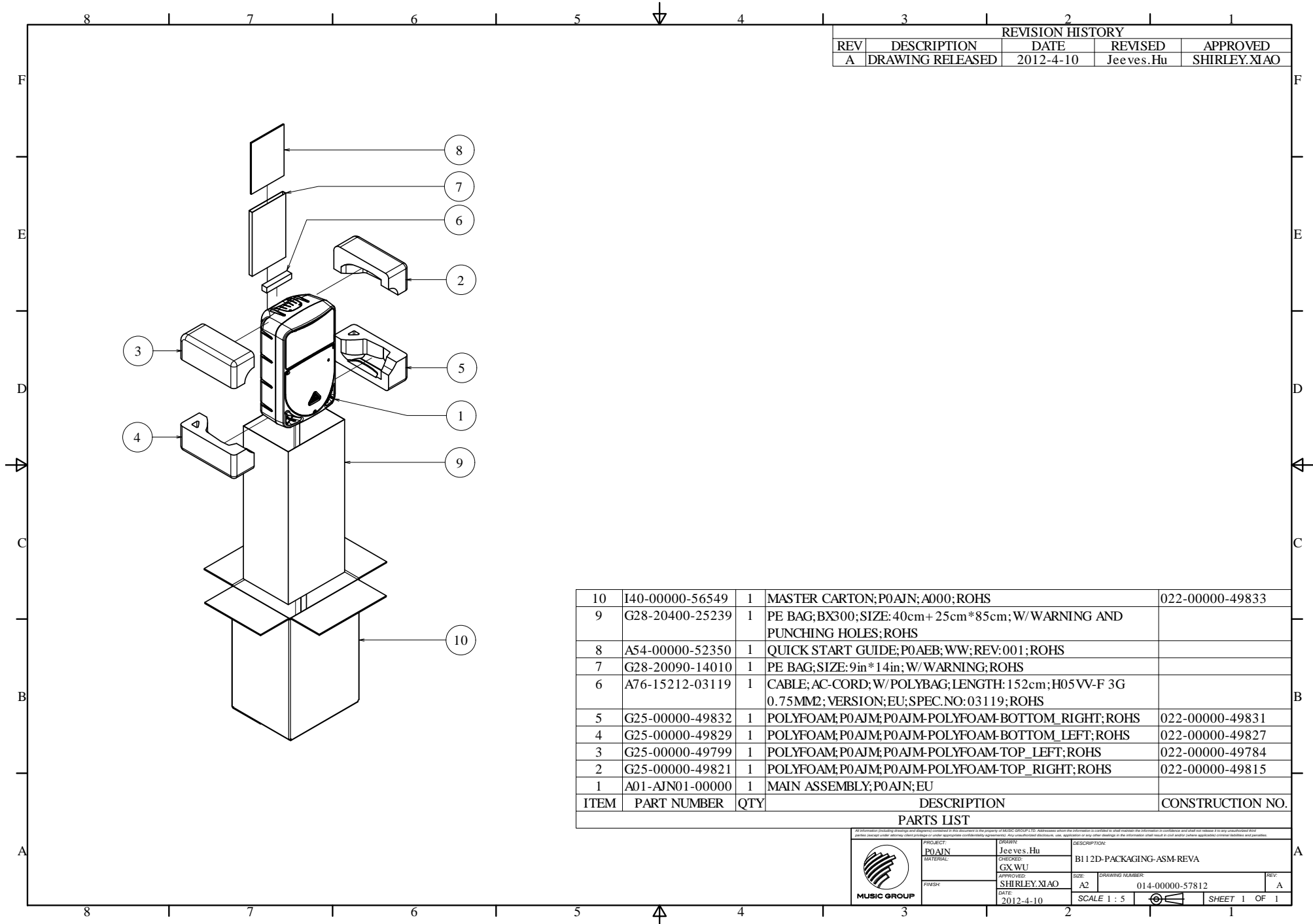
REVISION HISTORY				
REV	DESCRIPTION	DATE	REVISED	APPROVED
A	DRAWING RELEASED	2011-11-02	LIAO LI	XIAO,SHIRLEY

ITEM	PART NUMBER	DESCRIPTION	QTY	COMMENTS
24	F95-06000-01009	MI-SHRINK_TUBE_D6	0.04MM	R2, R72
23	F95-00900-04425	MI-SHRINK_TUBE_D9	0.05MM	R5,R10,R71
22	F89-00000-45459	IN-SI_SHEET_24X42_H3	1	
21	A65-00200-05039	MET-RETAINER/TO247/05[R]	1	
20	F89-00000-45335	IN-SI_SHEET_23X48	1	
19	F87-00100-14686	MI-I00508P/GAP_PAD35.5*27*3[R]	1	
18	F89-00000-49269	CERAMIC AL2O3;21.5X19X2MM	1	
17	F89-00000-42538	POAEA-CERAMIC_SHEET_28X23.5	1	
16	F88-30081-20291	SC-M03*08-03-B-ZP-SLV[R]	7	
15	F97-00000-46732	POAEA-SMPS_INSULATION_SHEET	1	
14	F88-30180-50297	SC-M03*18-05-B-ZP-BLK[R]	2	
13	F96-10300-80105	SC-WAPLNP3*8*1[R]	1	
12	F88-30103-20293	SC-M03*10*50-05-60-B-CR3-SLV[R]	1	
11	A65-00100-12959	MET-P0642/BRACKET_IC[R]	1	
10	F98-04400-27886	PLA-NYLBUSH[R]	1	
9	F85-00000-09365	SC-NUHEXM03-CR3-BLUE ZN[R]	4	
8	F88-30080-50291	SC-M03*08-05-B-ZP-SLV[R]	15	
7	F89-00000-54708	MI-CERAMIC_SHEET_TO7294	1	
6	A65-00100-15617	MET-P0977/IC_CLIP[R]	2	
5	A65-00200-04931	MET-RETAINER/LM3886/03[R]	1	
4	A63-00000-46789	POAEA-SMPS_HEATSINK_COVER	1	
3	A63-00000-38497	POAEA-SMPS_HEATSINT_TR	1	
2	A63-00000-38485	POAEA-SMPS_HEATSINK	1	
1	SEE BOM	POAEA-SMPSU-PCBA	1	

PARTS LIST

All information (including drawings and diagrams) contained in this document is the property of MUSIC GROUP LTD. Addressees whom the information is confided to shall maintain the information in confidence and shall not release it to any unauthorized third parties (except under attorney-client privilege or under appropriate confidentiality agreements). Any unauthorized disclosure, use, application or any other dealings in the information shall result in civil and/or (where applicable) criminal liabilities and penalties.

	PROJECT:	li.liao	DESCRIPTION:	
	MATERIAL:	N/A	EXP-POAEA_SMPS	
	FINISH:	N/A	SIZE:	A3
	DATE:	9/2/2011	DRAWING NUMBER:	014-00000-43519
		APPROVED:	SHIRLEY.XIAO	REV:
		CHECKED:	LIAO LI	A
		SCALE:	NTS	SHEET 1 OF 1

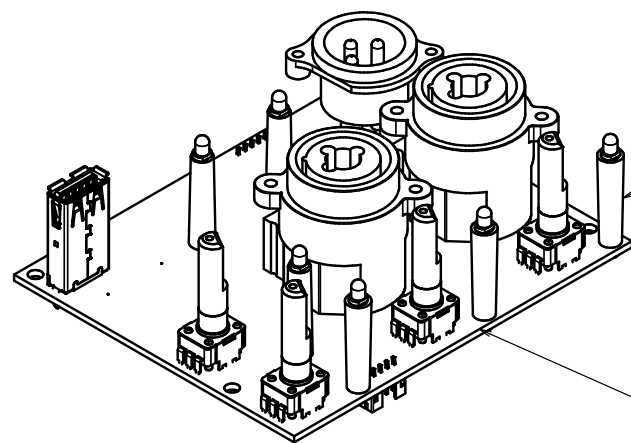


REVISION HISTORY				
REV	DESCRIPTION	DATE	REVISED	APPROVED
A	DRAWING RELEASED	2012-4-10	Jeeves.Hu	SHIRLEY.XIAO

10	I40-00000-56549	1	MASTER CARTON;P0AJN;A000;ROHS	022-00000-49833
9	G28-20400-25239	1	PE BAG;BX300;SIZE: 40cm+ 25cm*85cm; W/ WARNING AND PUNCHING HOLES; ROHS	
8	A54-00000-52350	1	QUICK START GUIDE; P0AEB; WW; REV:001; ROHS	
7	G28-20090-14010	1	PE BAG;SIZE: 9in * 14in; W/ WARNING; ROHS	
6	A76-15212-03119	1	CABLE; AC-CORD; W/ POLYBAG; LENGTH: 152cm; H05VV-F 3G 0.75MM2; VERSION; EU; SPEC. NO: 03119; ROHS	
5	G25-00000-49832	1	POLYFOAM; P0AJM; P0AJM-POLYFOAM-BOTTOM_RIGHT; ROHS	022-00000-49831
4	G25-00000-49829	1	POLYFOAM; P0AJM; P0AJM-POLYFOAM-BOTTOM_LEFT; ROHS	022-00000-49827
3	G25-00000-49799	1	POLYFOAM; P0AJM; P0AJM-POLYFOAM-TOP_LEFT; ROHS	022-00000-49784
2	G25-00000-49821	1	POLYFOAM; P0AJM; P0AJM-POLYFOAM-TOP_RIGHT; ROHS	022-00000-49815
1	A01-AJN01-00000	1	MAIN ASSEMBLY; P0AJN; EU	
ITEM	PART NUMBER	QTY	DESCRIPTION	CONSTRUCTION NO.

PARTS LIST


		PROJECT: P0AJN CHECKED: GX WU APPROVED: SHIRLEY.XIAO DATE: 2012-4-10	DRAWING: Jeeves.Hu DESCRIPTION: B112D-PACKAGING-ASM-REVA SIZE: A2 DRAWING NUMBER: 014-00000-57812 SCALE: 1:5	REV: A SHEET 1 OF 1
--	--	---	--	------------------------



REVISION HISTORY				
REV	DESCRIPTION	DATE	REVISED	APPROVED
A	DRAWING RELEASED	2011-11-22	LIAO LI	XIAO,SHIRLEY

2	G58-00100-12110	PLA-P0739/LED_SPACER[R]	6	
1	SEE BOM	POAEB-INPUT_PCB	1	
ITEM	PART NUMBER	DESCRIPTION	QTY	STATUS

PARTS LIST

All information (including drawings and diagrams) contained in this document is the property of MUSIC GROUP LTD. Addresseees whom the information is confided to shall maintain the information in confidence and shall not release it to any unauthorized third parties (except under attorney-client privilege or under appropriate confidentiality agreements). Any unauthorized disclosure, use, application or any other dealings in the information shall result in civil and/or (where applicable) criminal liabilities and penalties.				
 MUSIC GROUP	PROJECT:	DRAWN:	DESCRIPTION:	
	POAEB	li.liao	EXP-POAEB_INPUT_PCBA-REVA	
	MATERIAL:	CHECKED:	SIZE: DRAWING NUMBER: REV:	
	N/A	LIAO LI	A3	014-00000-48364
FINISH:	APPROVED:	DATE:	SCALE	SHEET
N/A	SHIRLEY.XIAO	11/23/2011	NTS	1 OF 1



We Hear You