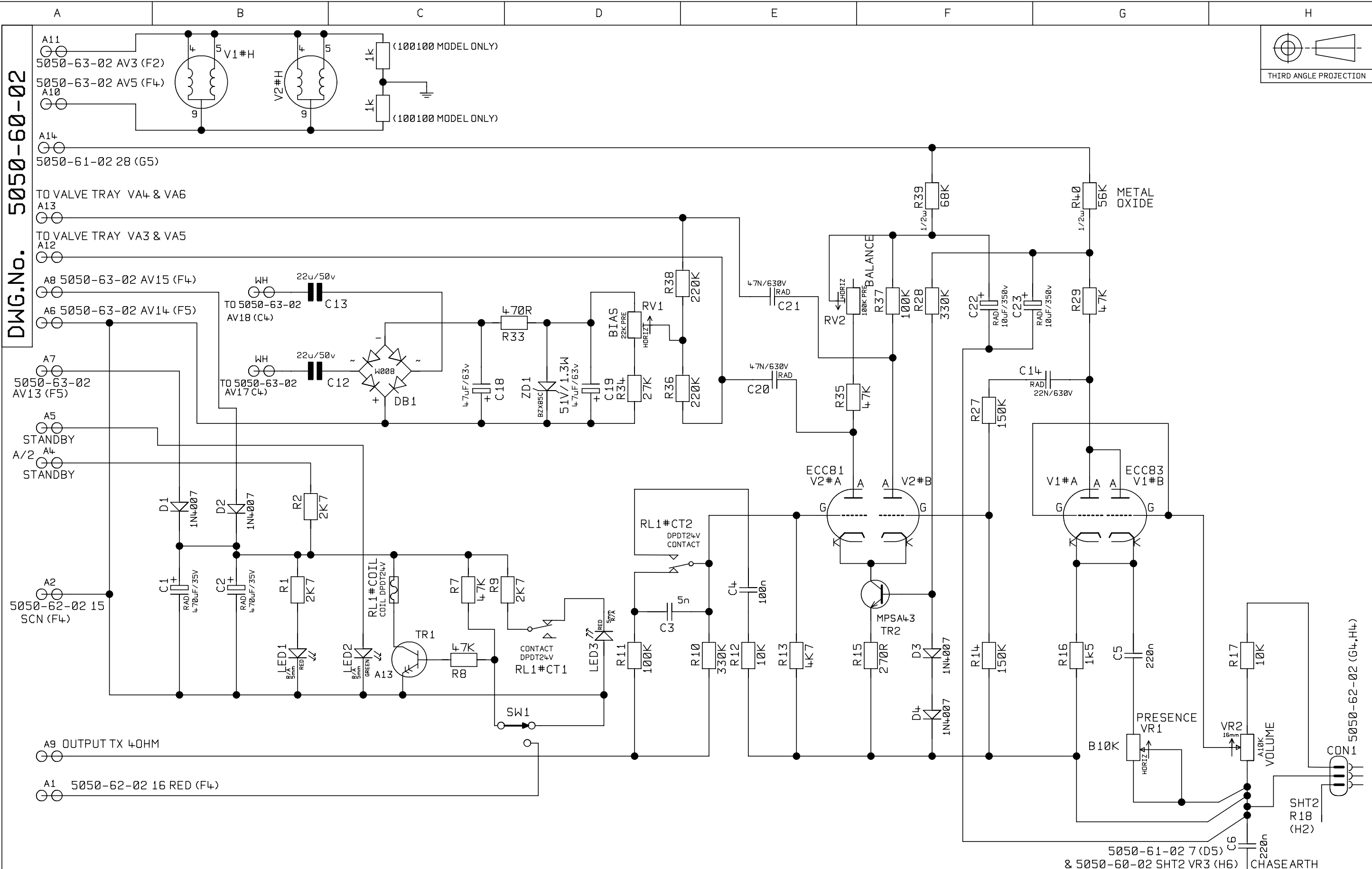
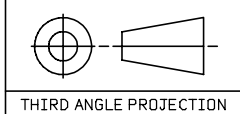


DWG.No. 5050-60-02

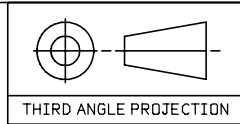
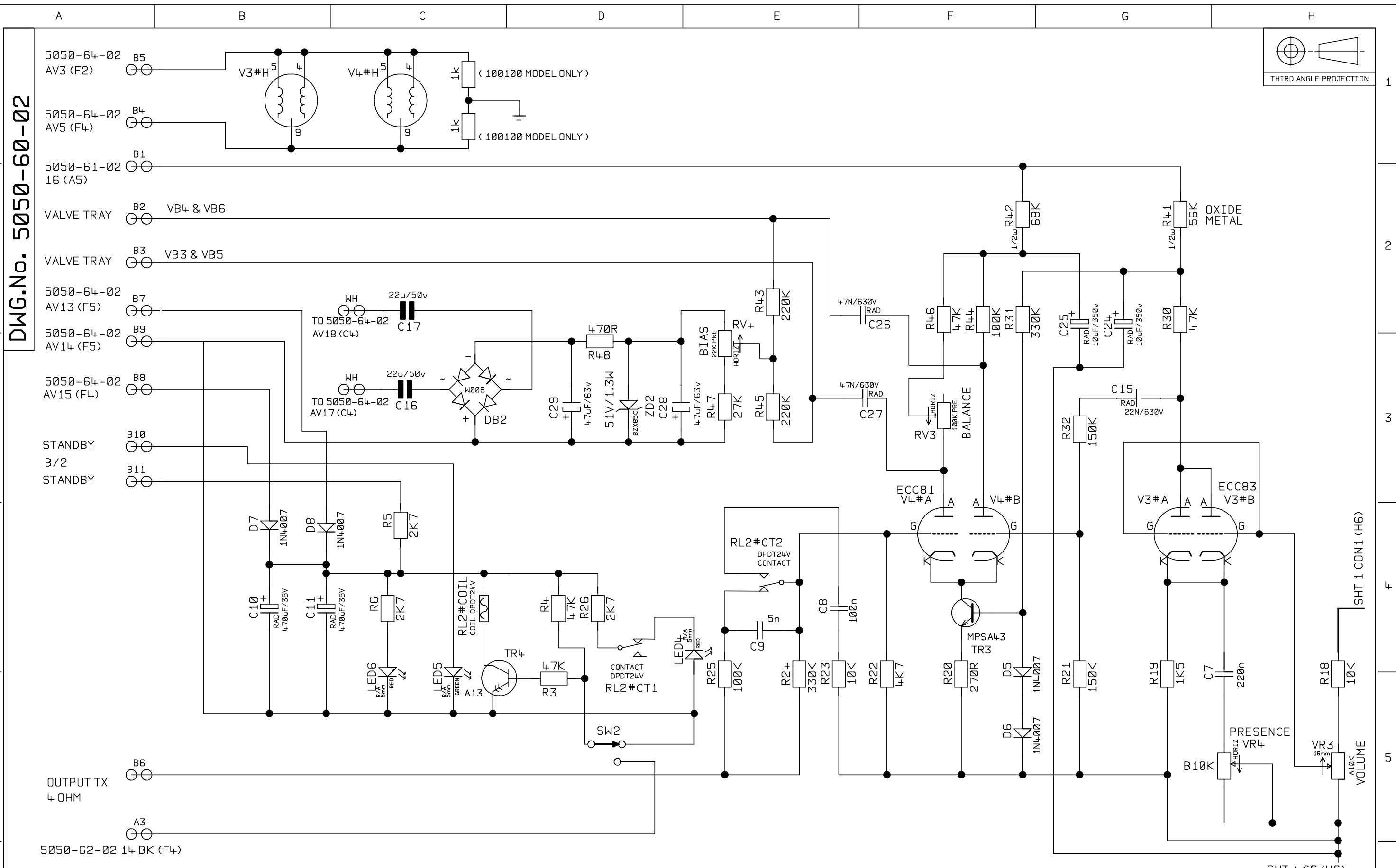


UNSPECIFIED HOLE DATA				MATERIAL		DIMENSIONS IN		TITLE	
	A		H	MATERIAL THICKNESS	TOLERANCE (UNLESS OTHERWISE STATED)		CCT DIAG SHEET 1 OF 2		
	B		J	INTERNAL BEND RADII	DIMENSIONAL		DRIVER PCB		
	C		K	EXTERNAL B/A	CENTRES		DWG.No. 5050-60-02		
	D		L	BEND DIE	ANGULAR		ISSUE 2		
	E		M	DRAWN A.G.	DATE	MODEL	5050 / 100100		
2	2332	20-2-03	F	CHECKED	DATE				
ISS	ECO NUMBER	DATE	G	APPROVED	DATE				



COPYRIGHT EXISTS ON THIS DOCUMENT. IT MUST NOT BE USED FOR ANY PURPOSE THAN THAT FOR WHICH IT IS SUPPLIED AND MUST NOT BE COPIED (IN WHOLE OR IN PART) WITHOUT WRITTEN PERMISSION FROM MARSHALL AMPLIFICATION PLC. DENBIGH ROAD, BLETCHLEY, MILTON KEYNES, MK1 1DQ. TEL: (0900) 375411 FAX: (0900) 375118

DWG.No. 5050-60-02



UNSPECIFIED HOLE DATA				MATERIAL		DIMENSIONS IN		TITLE	
A			H	MATERIAL THICKNESS	TOLERANCE (UNLESS OTHERWISE STATED)		CCT DIAG SHEET 2 OF 2		
B			J	INTERNAL BEND RADII	DIMENSIONAL		DRIVER PCB		
C			K	EXTERNAL B/A	CENTRES		DWG.No 5050-60-02		
D			L	BEND DIE	ANGULAR		ISSUE 2		
E			M	DRAWN A.G.	DATE 8-6-93	MODEL 5050/100100		MARSHALL	
F	2332	20-2-03	N	CHECKED	DATE	COPYRIGHT EXISTS ON THIS DOCUMENT. IT MUST NOT BE USED FOR ANY PURPOSE THAN THAT FOR WHICH IT IS SUPPLIED AND MUST NOT BE COPIED (IN WHOLE OR IN PART) WITHOUT WRITTEN PERMISSION FROM MARSHALL AMPLIFICATION PLC. DENBIGH ROAD, BLETCHLEY, MILTON KEYNES, MK1 10Q. TEL: (0908)375411 FAX: (0908)376118		2	
G	ECO NUMBER	DATE	P	APPROVED	DATE				