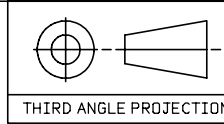
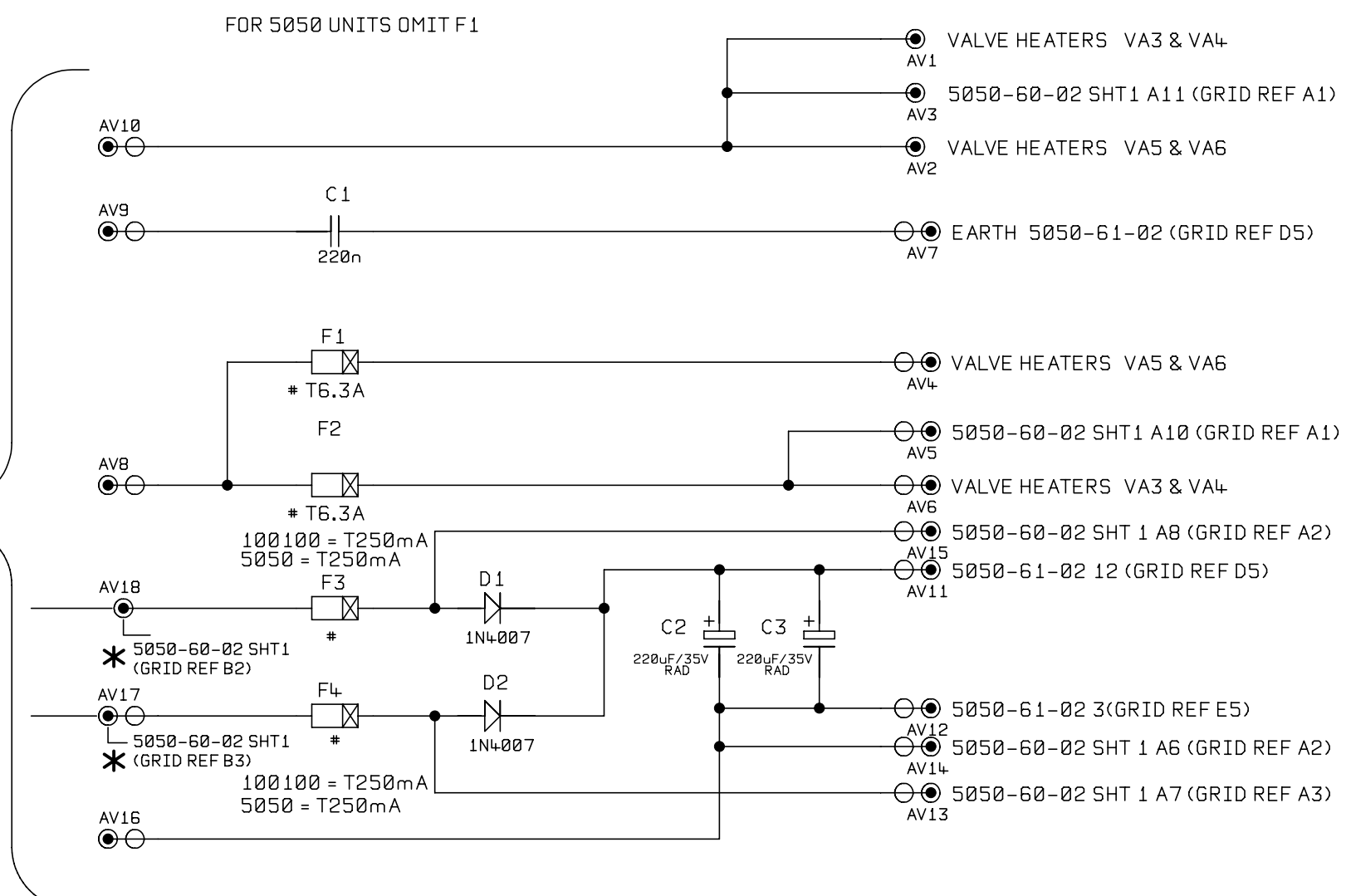


DWG.No. 5050-63-02



MAINS TRANSFORMER



* SEMKO ONLY

UNSPECIFIED HOLE DATA				MATERIAL		DIMENSIONS IN		TITLE	
8	2332	20-2-03	A	H	MATERIAL THICKNESS	TOLERANCE (UNLESS OTHERWISE STATED)			
7	0725	27-10-94	B	J	INTERNAL BEND RADIUS	DIMENSIONAL			
6	0659	8-6-94	C	K	EXTERNAL B/A	CENTRES			
5	0606	19-4-94	D	L	BEND DIE	ANGULAR		DWG.No 5050-63-02	
4	0502	16-12-93	E	M	DRAWN A.G.	DATE 8-6-93	MODEL	ISSUE 8	
3	0467	12-11-93	F	N	CHECKED	DATE	5050/100100	MARSHALL AMPLIFICATION PLC. DENBIGH ROAD, BLETCHELY, MILTON KEYNES, MK1 1DQ. TEL (0900)375411 FAX (0900)376110	
ISS	ECO NUMBER	DATE	G	P	APPROVED	DATE			

COPYRIGHT EXISTS ON THIS DOCUMENT. IT MUST NOT BE USED FOR ANY PURPOSE THAN THAT FOR WHICH IT IS SUPPLIED AND MUST NOT BE COPIED (IN WHOLE OR IN PART) WITHOUT WRITTEN PERMISSION FROM