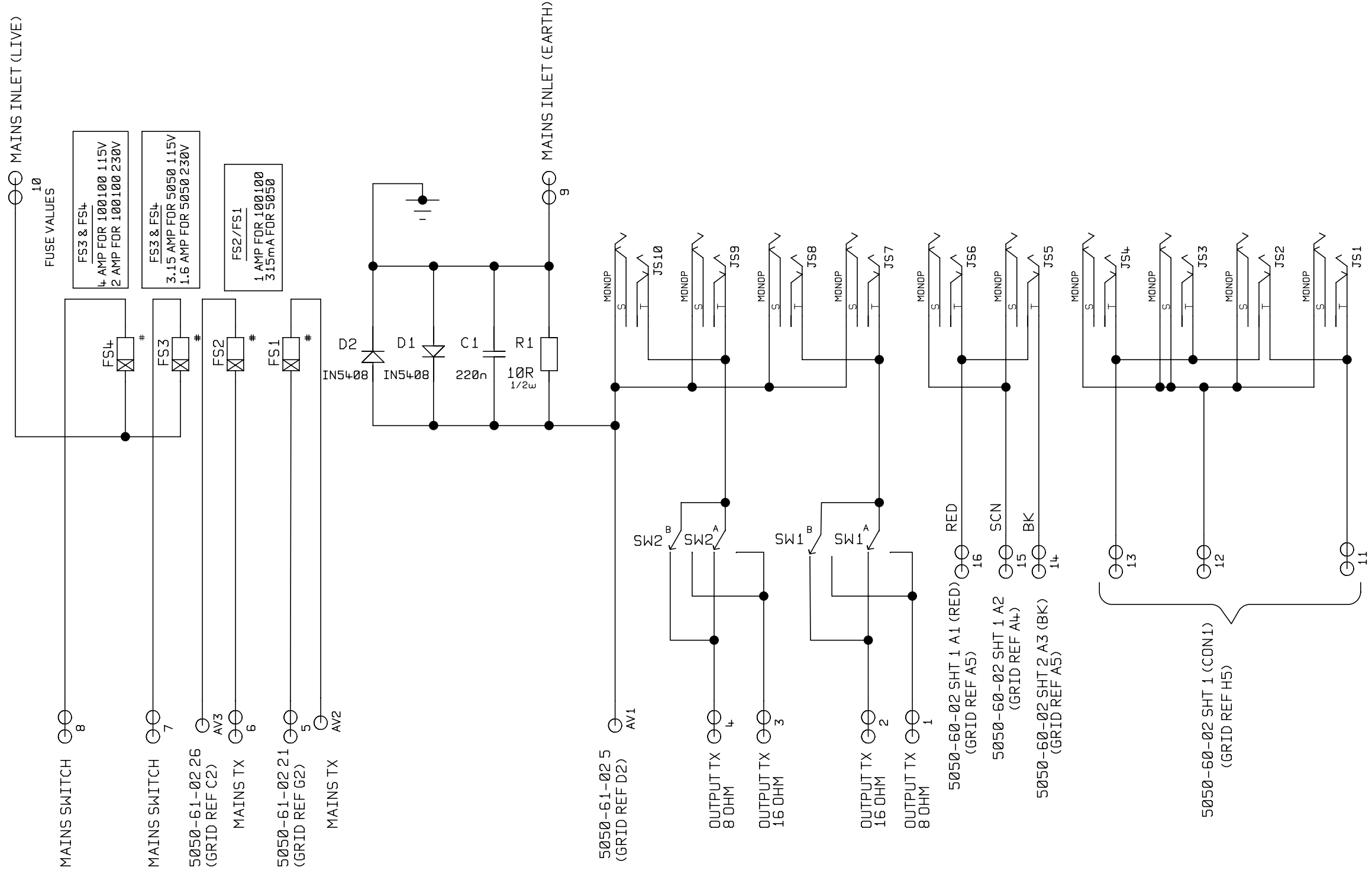
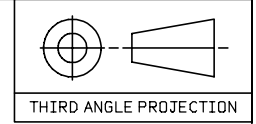


DWG.No. 5050-62-02



FUSE VALUES

FS3 & FS4	4 AMP FOR 100100 115V 2 AMP FOR 100100 230V
FS3 & FS4	3.15 AMP FOR 5050 115V 1.6 AMP FOR 5050 230V
FS2/FS1	1 AMP FOR 100100 315mA FOR 5050

5	2332	20-2-03	A	H
4	0725	27-10-94	B	J
3	0659	8-6-94	C	K
ISS	ECO NUMBER	DATE	D	L
			E	M
			F	N
			G	P

UNSPECIFIED HOLE DATA

A	H
B	J
C	K
D	L
E	M
F	N
G	P

MATERIAL		DIMENSIONS IN	
MATERIAL THICKNESS		TOLERANCE (UNLESS OTHERWISE STATED)	
INTERNAL BEND RADII		DIMENSIONAL	
EXTERNAL B/A		CENTRES	
BEND DIE		ANGULAR	
DRAWN	A.G.	DATE	8-6-93
CHECKED		DATE	
APPROVED		DATE	

MODEL	5050/100100
-------	-------------

Marshall

COPYRIGHT EXISTS ON THIS DOCUMENT. IT MUST NOT BE USED FOR ANY PURPOSE THAN THAT FOR WHICH IT IS SUPPLIED AND MUST NOT BE COPIED (IN WHOLE OR IN PART) WITHOUT WRITTEN PERMISSION FROM

© MARSHALL AMPLIFICATION PLC.
DENBIGH ROAD, BLETCHLEY, MILTON KEYNES, MK1 1DG.
TEL: (0908)375411 FAX: (0908)376118

TITLE	
CCT DIAG INPUT/OUTPUT PCB	
DWG.No	ISSUE
5050-62-02	5