


# ONKYO® SERVICE MANUAL

## Integrated Stereo Amplifier MODEL A-8067

### Silver and Black models

UDN, UD	120V AC, 60Hz
UG	220V AC, 50Hz
UW	120V or 220V AC, 50/60Hz

### SAFETY-RELATED COMPONENT WARNING!!

COMPONENTS IDENTIFIED BY MARK  ON THE SCHEMATIC DIAGRAM AND IN THE PARTS LIST ARE CRITICAL FOR RISK OF FIRE AND ELECTRIC SHOCK. REPLACE THESE COMPONENTS WITH ONKYO PARTS WHOSE PARTS NUMBERS APPEAR AS SHOWN IN THIS MANUAL.

MAKE LEAKAGE-CURRENT OR RESISTANCE MEASUREMENTS TO DETERMINE THAT EXPOSED PARTS ARE ACCEPTABLY INSULATED FROM THE SUPPLY CIRCUIT BEFORE RETURNING THE APPLIANCE TO THE CUSTOMER.

### TABLE OF CONTENTS

Item	Page
Specifications	2
Block diagram	2
Precautions	4
Main amplifier adjustment	4
Front panel facilities	5
System connections	5
Exploded view	6
Parts list	7
Printed circuit board parts list	8
Packing procedures	10
Printed circuit board view	11
Schematic diagram	13, 17

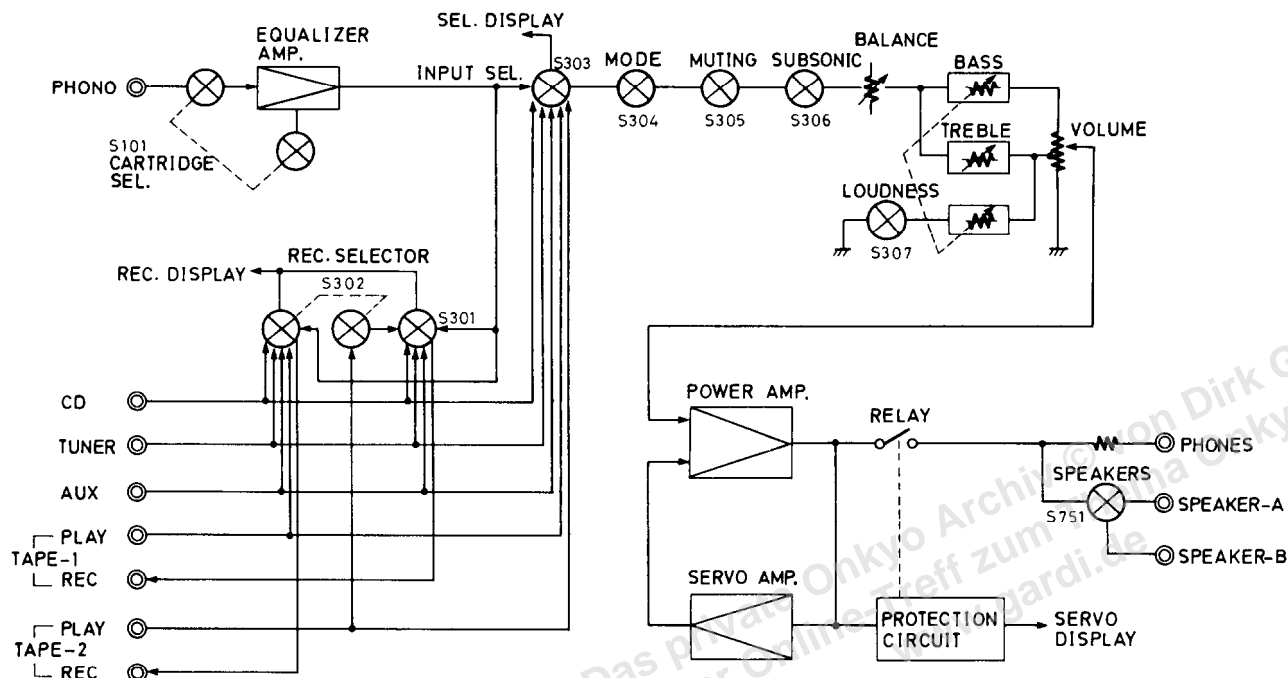


## SPECIFICATIONS

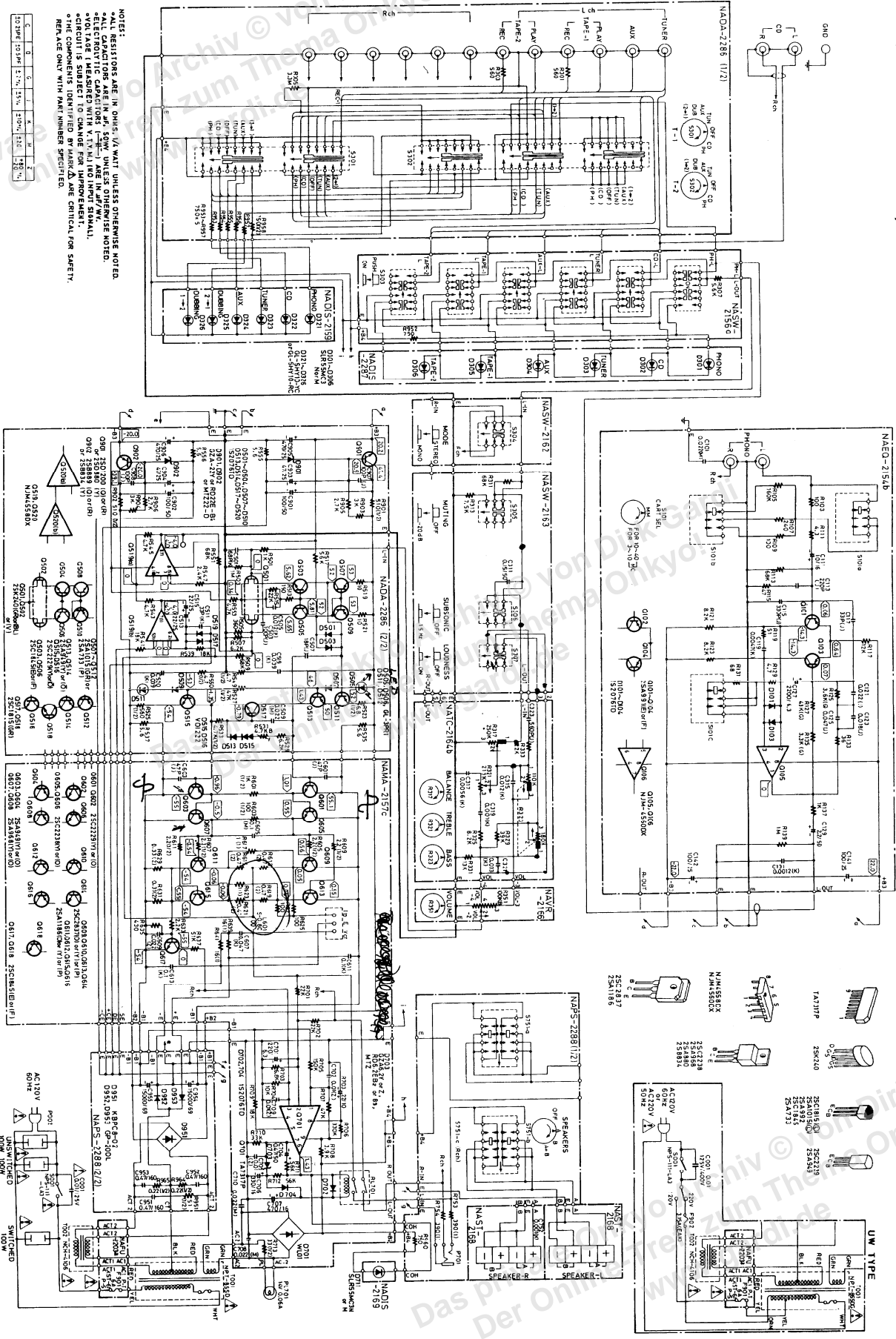
Power Output:	80 watts per channel, min. RMS, at 8 ohms, both channels driven, from 20Hz to 20kHz with no more than 0.015% THD.
Total Harmonic Distortion:	0.015% at rated power
IM Distortion:	0.005% at rated power
Damping Factor:	50 at 8 ohms
Frequency Response:	2–50,000Hz $\pm$ 1dB
RIAA Deviation (MM):	20–20,000Hz $\pm$ 0.3dB
Sensitivity and Impedance:	Phono (MM): 2.5mV/50 kohms Phono (MC): 160 $\mu$ V/100/220 ohms Tuner: 150mV/50 kohms Tape Play: 150mV/50 kohms Tape Rec: 150mV/1.5 kohms (phono)
Phono Overload:	200mV RMS at 1kHz, 0.015% THD
Bass Control:	$\pm$ 8dB at 70Hz
Treble Control:	$\pm$ 8dB at 20,000Hz
Signal to Noise Ratio:	Phono (MM): 80dB (IHF A-202, 5mV input, 1 watt output) Phono (MC): 72dB (IHF A-202, 0.5mV input, 1 watt output) Tuner & Tape: 84dB (IHF A-202, 0.5V input, 1 watt output)
Muting:	–20dB
Loudness Control:	+6dB at 70Hz, +5dB at 20kHz
Subsonic Filter:	15Hz (6dB/Octave)
High Cut (TREBLE MIN):	6kHz (6dB/Octave)
Power Supply:	AC 120V, 60Hz [D model] AC 220V, 50Hz [G model] AC 120V or 220V, 50/60Hz [W model]
Semiconductors:	IC: 5 TR: 42 Diode: 46
Dimensions:	435(W) x 144(H) x 391(D) mm 17-1/8" x 5-5/8" x 15-3/8"
Weight:	12kg. (26.5 lbs.)

Specifications and features are subject to change without notice.

## BLOCK DIAGRAM



# SCHEMATIC DIAGRAM (120V Model, 120V/220V Model)



**NOTES:**  
 ALL RESISTORS ARE IN OHMS, 1/4 WATT UNLESS OTHERWISE NOTED.  
 ALL CAPACITORS ARE IN P.F. 50WV UNLESS OTHERWISE NOTED.  
 RECTIFYING CAPACITORS V.I.T.M. NO INPUT SIGNAL.  
 CIRCUIT IS SUBJECT TO CHANGE FOR IMPROVEMENT.  
 THE COMPONENTS IDENTIFIED BY MARK Δ ARE CRITICAL FOR SAFETY.  
 REMAKE ONLY WITH PART NUMBER SPECIFIED.

10	100	1K	10K	100K	1M	10M	100M
100P	100N	1000P	1000N	10000P	10000N	100000P	100000N
1000000P	1000000N	10000000P	10000000N	100000000P	100000000N	1000000000P	1000000000N

## PRECAUTIONS

### 1. Replacing the fuses

For continued protection against risk fire, replace only with same type and same rating fuse.

CIRCUIT NO.	PARTS NO.	DESCRIPTION
F901	252051	6A (ST-6), Primary fuse (120V model)
F901	252076	3.15A-SE-EAK, Primary fuse (220V, 120V/220V model)
F701	252070	1A-SE-EAK, Secondary fuse (220V model)

### 2. Replacing the lamp

This unit uses the lamp listed below.

CIRCUIT NO.	PARTS NO.	DESCRIPTION
PL701	210172	PL14V0.06AW-2.0

### 3. Insulation resistance measurement (Only U.S.A. model)

Connect the insulating-resistance tester between the plug of power supply cable and the terminal GND on the back panel. Specification; 500V more than 10M $\Omega$ .

### 4. Voltage selector (rear panel)

Worldwide models are equipped with a voltage selector to conform with local power supplies. Be sure to set this switch to match the voltage of the power supply in your area before turning the power switch on. Voltage is changed by sliding the groove in the switch with a screwdriver or similar instrument to the up or down position. Confirm that the switch has been moved all the way to the up or down before turning the power switch on. If there is no voltage selector switch on the unit you have purchased, it can only be used in areas where the power supply voltage is the same as that of the unit.



## MAIN AMPLIFIER ADJUSTMENT

Set the all control knobs to standard position

Standard knob position

INPUT SELECTOR	CD
CARTRIDGE SELECTOR	MM
REC. SELECTOR	OFF
MODE	STEREO
MUTING	OFF
SUBSONIC FILTER	OFF
BALANCE	Center
VOLUME	Minimum
LOUDNESS	OFF
BASS	DEFEAT
TREBLE	DEFEAT
SPEAKERS	A

### IDLING CURRENT ADJUSTMENT

1. Connect the DC voltmeter between  $I_{ID}$  and  $V_{CT}$  terminals.
2. Adjust the voltage to 15V  $\pm$  5mV with semi-fixed resistor of R531 and R532.

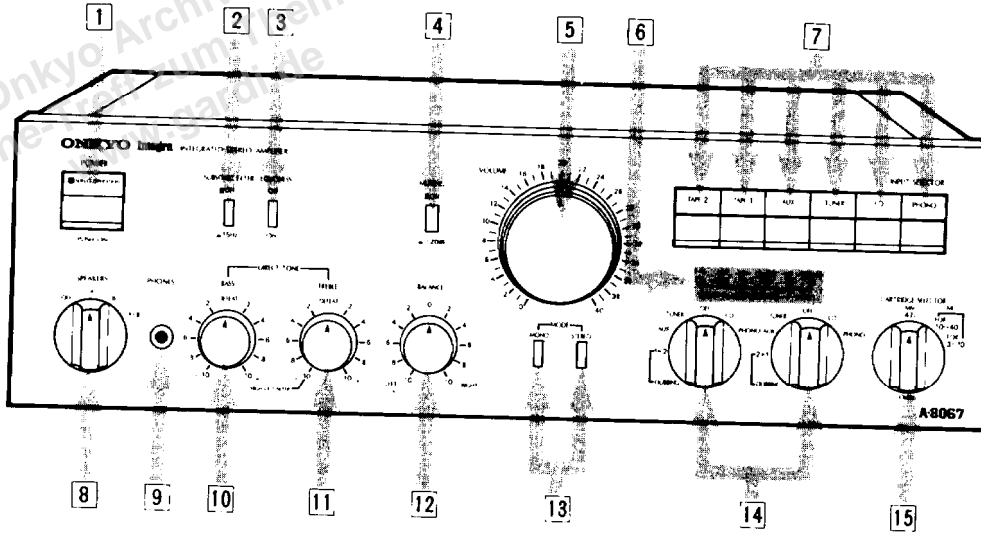
### NOTES.

Adjust after switching on for 5 minutes.

VOLUME . . . . . Minimum

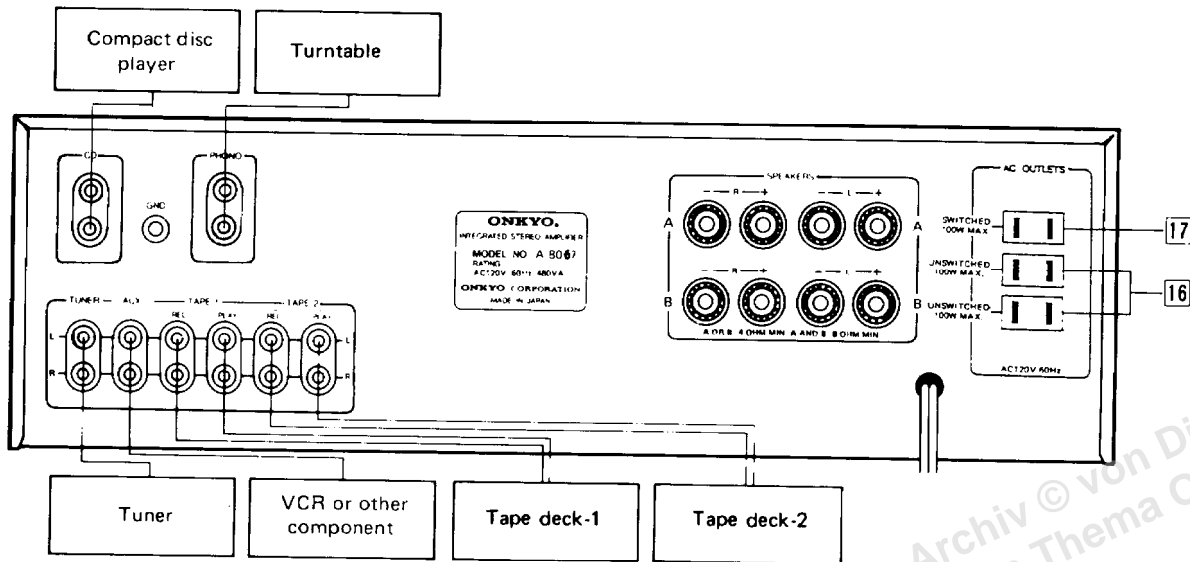
LOAD . . . . . Open

# FRONT PANEL FACILITIES

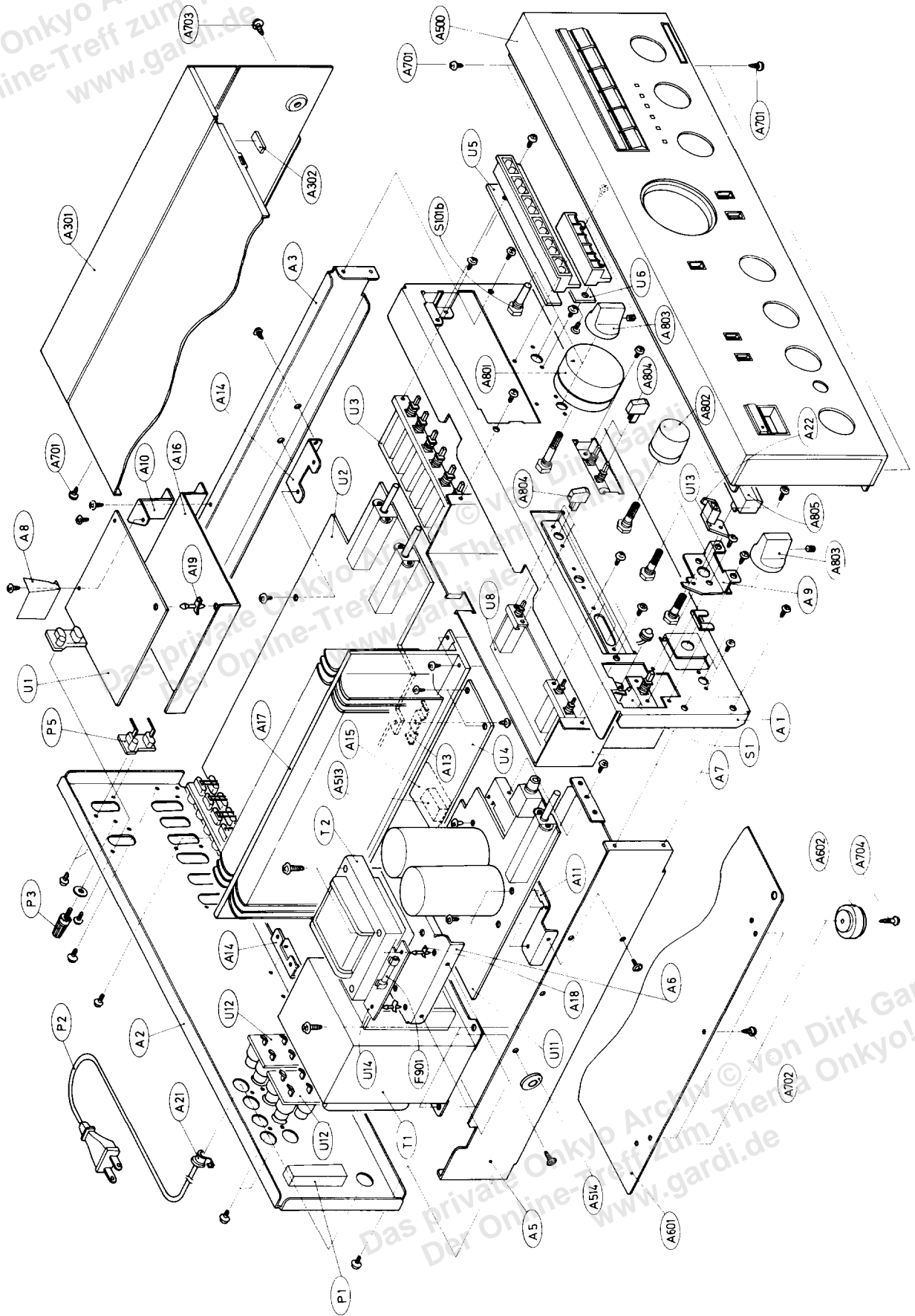


1. Power switch (POWER)
2. Subsonic filter (SUBSONIC FILTER)
3. Loudness control (LOUDNESS)
4. Muting switch (MUTING)
5. Volume control (VOLUME)
6. Recording mode indicator
7. Input selector switches (INPUT SELECTOR)
8. Speaker selector (SPEAKERS)
9. Headphones jack (PHONES)
10. Bass control (BASS)
11. Treble control (TREBLE)
12. Balance control (BALANCE)
13. Mode selector (MODE)
14. Recording source selectors (REC. SELECTOR)
15. Cartridge selector (CARTRIDGE SELECTOR)

# SYSTEM CONNECTIONS



# CHASSIS-EXPLODED VIEW



## CHASSIS-EXPLODED VIEW-PARTS LIST

REF. NO.	PARTS NO.	DESCRIPTION	REF. NO.	PARTS NO.	DESCRIPTION	REF. NO.	PARTS NO.	DESCRIPTION
A1	27110227C	Front bracket	A803	28321726A	Knob (SP)	U2	12028586	pc board ass'y [G]
A2	27120664A	Back panel [D]	A804	28321908	Knob (SP), [BLACK] [D]			
	27120665A	Back panel [G]		28322010	Knob (SP), [BLACK] [G] [W]			
	27120667A	Back panel [W]	A805	28322023	Knob (PUSH)			
A3	27115132C	Side bracket (R)		28321909	Knob (PUSH), [BLACK]			
A5	27130371A	Bracket (L)		28321904	Knob (POW)			
A6	27130386	Bracket (TP)		28321905B	Knob (POW), [BLACK]	U3	12028556A	board ass'y 1 [G]
A7	27130370	Bracket, shield	Q609, Q610	2201533	2SC2837 (O), Transistors			
A8	27130392	Shield plate (EQ)	Q613, Q614	2201534 or 2201535	2SC2837 (Y) or 2SC2837 (P)			
A9	27140944B	Bracket (POW)	Q611, Q612	2201523	2SA1186 (O), Transistors			
A10	27140819	Bracket (PC)	Q615, Q616	2201524 or 2201525	2SA1186 (Y) or 2SA1186 (P)			
A11	27140945	Bracket (K)	▲ T1	230872	NPT-855D, Power transformer [D]	U4	12028557C	board ass'y 2 [D] [W]
A13	27140948	Bracket (TR)		230873	NPT-855G, Power transformer [G]			
A14	27140693	Bracket (BP)		230874	NPT-855DG, Power transformer [W]			
A15	28175105	Insulator plate (H)	▲ T2	231061	NCH-4106, Choke coil			
A16	27150168A	Shield plate (B)	▲ S1	25035015A	NPS-111LA3, Power switch	U5	12028587	board ass'y 2 [G]
A17	27160154	Radiator	▲ C1	3500065A	0.01µF, AC400V, Capacitor	U6	12913559	NADIS-2287, LED pc board ass'y
A18	27190349	Holder (PC)	S101b	25030262	NRSM-103-30BU, Cartridge selector, operation section	U7	12913562	NADIS-2159, LED pc board ass'y
A19	27190011	LCBS-8NS, Holder	▲ P1	25050139	NSCT-6P38, AC outlet [D]	U8	12913563	NASW-2162, Mode switch pc board ass'y
A21	27300750	Strainrelief	▲ P2	25108010	LG-2C, Terminal [G] [W]			
A22	28140457	Cushion		25065123	NSS-1258P, Slide switch [W]			
A301	28184269	Top cover		253112	AS-UC-4 #18, Power supply cable [D]			
A302	28184270	Top cover [BLACK]		253127	AS-CEE, Power supply cable [G]			
A500	28140020	4 x 10 x 40, Cushion		253092-1	AS-CEE-2, Power supply cable [W]	U9	12028564B	NASW-2163, Switch circuit pc board ass'y
	12008121	Front panel ass'y [BLACK]		25060044	Ground terminal	U10	12913566	NATC-2164b, Tone controle pc board ass'y
	28140570A	Cushion, input selector switch [BLACK]		25045086	NPI-2PRBL43, Input terminal			
	28140532A	Cushion, Rec selector switch [BLACK]		252051	ST-6, 6A, Primary fuse [D]	U11	12028588	NAPS-2288, Speaker switch & Power supply pc board ass'y
	28140205A	Cushion, Tone controle switch [BLACK]		252076	3.15A-SE-EAK, Primary fuse [G] [W]	U12	12913568	NATS-2168, Speaker terminal pc board ass'y [D] [W]
	28140185	Cushion, speaker switch [BLACK]	P3					
A513	28140206B	Cushion, volume [BLACK]	P5					
A514	28140265	Cushion	▲ F901			U13	12913569	NADIS-2169, LED pc board ass'y board ass'y [G]
A601	27170187B	Bottom board				U14	12028503F	NAFU-2203f, Fuse pc board ass'y [D]
A602	27175044	Bottom leg						
A701	834430068	3TTS+6B (BC), Tapping screw						
A702	831430088	3TTW+8B (BC), Tapping screw						
A703	838440089	4TTB+8C (BC), Tapping screw						
A704	834430168	3TTS+16B (BC), Tapping screw						
A801	28321731A	Knob (VOL)						
	28321906	Knob (VOL), [BLACK]						
A802	28321723	Knob (BAL)						
	283220101	Knob (BAL), [BLACK]						

NOTE: [D]: Only 120V model  
[G]: Only 220V model  
[W]: Only 120V/220V model  
[Black]: Black model

NOTE: THE COMPONENTS IDENTIFIED BY MARK ▲ ARE CRITICAL FOR RISK OF FIRE AND ELECTRIC SHOCK. REPLACE ONLY WITH PARTS NUMBER SPECIFIED.

# PRINTED CIRCUIT BOARD PARTS LIST

## EQUALIZER AMPLIFIER PC BOARD (NAEQ-2154b) – PARTS LIST

CIRCUIT NO.	PART NO.	DESCRIPTION
Q105, Q106	222570	NJM4560DX
<b>ICs</b>		
Q101~Q104	2211783	2SA991 (E) or
	2211782	2SA991 (F)
<b>Transistors</b>		
D101~D104	223145	1S2076TD
<b>Diodes</b>		
<b>Capacitors</b>		
C101	379122237	0.022 $\mu$ F (M), 50V, DEW
C111, C112	392841007	10 $\mu$ F, 16V, Elect.
C113, 114	372122214	220pF, 50V, Styrene
C115, 116	372124705	47pF, 50V, Styrene
C119, C120	379124725	0.0047 $\mu$ F, 50V, DEW
C121, C122	379122234	0.022 $\mu$ F (J), 50V, DEW
C123, C124	379121834	0.018 $\mu$ F, 50V, DEW
C125, C126	379124734	0.047 $\mu$ F, 50V, DEW
C127, C128	352722229	2200 $\mu$ F, 6.3V, Elect.
C129, C130	392880227	2.2 $\mu$ F, 50V, Elect.
C131, C132	379121225	0.0012 $\mu$ F, 50V, DEW
C141, C142	392851017	100 $\mu$ F, 25V, Elect.
<b>Etc.</b>		
S101a	25065229	NSS-63100, Remote switch
	25045034	NPJ-2PDBL10, INPUT Terminal

## EQUALIZER AMPLIFIER PC BOARD (NAEQ-2154c) – PARTS LIST

CIRCUIT NO.	PART NO.	DESCRIPTION
Q105, Q106	222570	NJM4560DX
<b>ICs</b>		
Q101~Q104	2211783	2SA991 (E) or
	2211782	2SA991 (F)
<b>Transistors</b>		
D101~D104	223145	1S2076TD
<b>Diodes</b>		
<b>Capacitors</b>		
C101	379121037	0.01 $\mu$ F, 50V, DEW
C103, C104	372123314	330pF, 50V, Styrene
C107~C110	379128225	0.0082, 50V, DEW
C111, C112	392841007	10 $\mu$ F, 16V, Elect.
C115, C116	372122214	220pF, 50V, Styrene
C119, C120	379124725	0.0047 $\mu$ F, 50V, DEW
C121, C122	379122234	0.022 $\mu$ F (J), 50V, DEW
C123, C124	379121834	0.018 $\mu$ F, 50V, DEW
C125, C126	379124734	0.047 $\mu$ F, 50V, DEW
C127, C128	352722229	2200 $\mu$ F, 6.3V, Elect.
C129, C130	392880227	2.2 $\mu$ F, 50V, Elect.
C131, C132	379121225	0.0012 $\mu$ F, 50V, DEW
C141, C142	392851017	100 $\mu$ F, 25V, Elect.
<b>Coils</b>		
L101, L102	231030	NCH-1070
<b>Etc.</b>		
S101a	25065229	NSS-63100, Remote switch
	25045034	NPJ-2PDBL10, INPUT Terminal

## POWER AMPLIFIER PC BOARD 1 (NADA-2286, NADA-2286a) – PARTS LIST

CIRCUIT NO.	PART NO.	DESCRIPTION
Q519, Q520	222502	NJM4558DX
<b>ICs</b>		
Q501, Q502	2211915	2SK240 (GR) or
	2211916	2SK240 (BL) or
	2211917	2SK240 (V)
Q503~Q506	2211733	2SC1845 (E) or
	2211732	2SC1845 (F)
Q507~Q512	2211455	2SA1015 (GR) or
	2210803	2SA733 (P)
Q513, Q514	2211354	2SA949 (Y) or
	2211353	2SA949 (O)
Q515, Q516	2211634	2SC2229 (Y) or
	2211633	2SC2229 (O)
Q517, Q518	2211255	2SC1815 (GR)
Q901	2201512	2SD1200 (Q) or
	2201513	2SD1200 (R) or
	2201074	2SD880 (Y)
Q902	2201502	2SB889 (Q) or
	2201503	2SB889 (R) or
	2201244	2SB834 (Y)
<b>Diodes</b>		
D501~D504	223145	1S2076TD
D507~D510		
D513, D514,		
D517		
D518~D520		
D505, D506,	225126	GL-3PR1, LED
D511, D512		
D515, D516	4000068	VD1222, Varistor
D901, D902	2241232	GZA-22Y or
	2239754	RD22E-B4 or
	2243294	MTZ22-D, Zener
<b>Capacitors</b>		
C301~C308	372121014	100pF, 50V, Styrene
C503, C504		
C501, C502	372126805	68pF, 50V, Styrene
C505, C506	379121235	0.012 $\mu$ F, 50V, DEW
C509, C510	379122237	0.022 $\mu$ F, 50V, DEW
C511, C512	372123305	33pF, 50V, Styrene
C513~C516	352752209	22 $\mu$ F, 25V, Elect.
C519, C520	379123935	0.039 $\mu$ F, 50V, DEW
C901, C902	352781019	100 $\mu$ F, 50V, Elect.
C903, C904	352754709	47 $\mu$ F, 25V, Elect.
C905, C906	352754719	470 $\mu$ F, 25V, Elect.
<b>Resistors</b>		
R523, R524	442520684	6.8 $\Omega$ , 1/2W, Metal oxide film
R525, R526	442525614	560 $\Omega$ , 1/2W, Metal oxide film
R527, R528	442524734	47k $\Omega$ , 1/2W, Metal oxide film
R531, R532	5225072	N10HR4.7KBDM, Semi-fixed
R533, R534	442523724	4.7k $\Omega$ , 1/2W, Metal oxide film
R549, R550	442520474	4.7 $\Omega$ , 1/2W, Metal oxide film
R901, R902	441525114	510 $\Omega$ , 1/2W, Metal oxide film
R958	442527514	750 $\Omega$ , 1/2W, Metal oxide film
<b>Etc.</b>		
S301	25030195	NRSM-146-30SS, Switch
S302	25030258	NRSM-166-30SS, Switch
	25045137	NPJ-6PDBL52, INPUT Terminal
P304, P306	25050140	NJPS-3P-S, Socket



### INPUT SELECTOR SWITCH PC BOARD (NASW-2156a) – PARTS LIST

CIRCUIT NO.	PART NO.	DESCRIPTION
S303	25035442	NPS-642-L406, Switch
P303, P305	25050140	NJPS-3P-S, Sockets

### INPUT SELECTOR SWITCH PC BOARD (NASW-2156b) – PARTS LIST

CIRCUIT NO.	PART NO.	DESCRIPTION
C331, C332	372122214	220pF, 50V, Capacitors, Styrene
S303	25035442	NPS-642-L406, Switch
P303, P305	25050140	NJPS-3P-S, Sockets

### POWER AMPLIFIER PC BOARD 2 (NAMA-2157c, NAMA-2157d) – PARTS LIST

CIRCUIT NO.	PART NO.	DESCRIPTION
Q701	222584	TA7317P
<b>Transistors</b>		
Q601, Q602	2211634	2SC2229 (Y) or
	2211633	2SC2229 (O)
Q603, Q604	2211354	2SA949 (Y) or
	2211353	2SA949 (O)
Q605, Q606	2200864	2SC2238 (Y) or
	2200863	2SC2238 (O)
Q607, Q608	2200874	2SA968 (Y) or
	2200873	2SA968 (O)
Q617, Q618	2211733	2SC1845 (E) or
	2211732	2SC1845 (F)
<b>Diodes</b>		
D701	223862	WL-01
D702, D704	223145	1S2076TD
D703	2240972	GZA6.2Y,
	2240973	GZA6.2Z,
	2239492	RD6.2E-B2,
	2239493	RD6.2E-B3,
	2243162	MTZ6.2-B or
	2243163	MTZ6.2-C, Zener
<b>Coils</b>		
L601, L602	231015	S-0.8C
L603, L604	230904	B-20L-44, Core (FR)
<b>Capacitors</b>		
C605, C606	379121047	0.1 $\mu$ F, 50V, DEW
C607, C608	379124735	0.047 $\mu$ F, 50V, DEW
C611 ~ C614	379121045	0.1 $\mu$ F, 50V, DEW
C701	352722219	220 $\mu$ F, 6.3V, Elect.
C703	352732209	22 $\mu$ F, 10V, Elect.
C704	352784799	0.47 $\mu$ F, 50V, Elect.
C706	352743319	330 $\mu$ F, 16V, Elect.
C707	352744719	470 $\mu$ F, 16V, Elect.
C708, C710	379122237	0.022 $\mu$ F, 50V, DEW
<b>Resistors</b>		
R601, C602	442521024	1k $\Omega$ , 1/2W, Metal oxide film
R603, R604	442521014	100 $\Omega$ , 1/2W, Metal oxide film
R605 ~ R612	442520224	2.2 $\Omega$ , 1/2W, Metal oxide film
R613 ~ R616	4000063	0.47 $\Omega$ , 2W, Metal plate
R619 ~ R622		
R617, R618	441620104	1 $\Omega$ , 1W, Metal oxide film
R623, R624		
R629 ~ R632	4000061	0.33 $\Omega$ , 2W, Metal plate
R639 ~ R642	441621604	16 $\Omega$ , 1W, Metal oxide film
R713	442523304	33 $\Omega$ , 1/2W, Metal oxide film
<b>Etc.</b>		
PL701	210172	PL14V 0.06A W-2.0, Lamp
RL701	25065036	NRL-4P3A-DC12-01, Relay

### LED CIRCUIT PC BOARD (NADIS-2287) – PARTS LIST

CIRCUIT NO.	PART NO.	DESCRIPTION
D301 ~ D306	225174	SLR55MC3N or
	225173	SLR55MC3M, LED
	27190316A	Holder LED

### LED CIRCUIT PC BOARD (NADIS-2159) – PARTS LIST

CIRCUIT NO.	PART NO.	DESCRIPTION
D321 ~ D326	225167RB or	GL-5HY10-RB or
	225167RC	GL-5HY10-RC, LED
	27190317	Holder LED

### MODE SWITCH PC BOARD (NASW-2162) – PARTS LIST

CIRCUIT NO.	PART NO.	DESCRIPTION
S304	25035443	NPS-122-100-L407, Switch

### SWITCH CIRCUIT PC BOARD (NASW-2163) – PARTS LIST

CIRCUIT NO.	PART NO.	DESCRIPTION
C311, C312	352781599	0.15 $\mu$ F, 50V, Capacitor, Elect.
S305	25035266	NPS-122-L230, Switch
S306, (S307)	25035265	NPS-222-L229, Switch

### tone CONTROL PC BOARD (NATC-2164b) – PARTS LIST

CIRCUIT NO.	PART NO.	DESCRIPTION
<b>Capacitors</b>		
C315, C316	379121235	0.012 $\mu$ F, 50V, DEW
C317, C318	379125625	0.0056 $\mu$ F, 50V, DEW
C319, C320	379121025	0.001 $\mu$ F, 50V, DEW
C321, C322	379123335	0.033 $\mu$ F, 50V, DEW
<b>Resistors</b>		
R317	5148044	N16RGMC250KMN30, Variable
R321	5148046A	N16RGM11C219K30, Variable
R323	5148045A	N16RQM11C110K180K30, Variable

### VOLUME CONTROL PC BOARD (NAVR-2166) – PARTS LIST

CIRCUIT NO.	PART NO.	DESCRIPTION
R351	5172062	N16RGL100KBTP30, Variable resistor

### SPEAKER SWITCH & POWER SUPPLY PC BOARD (NAPS-2288) – PARTS LIST

CIRCUIT NO.	PART NO.	DESCRIPTION
<b>Diodes</b>		
D951	223884	KBPC8-02
	223845	GP-20DL
<b>Capacitors</b>		
C951 ~ C953	380504745	0.47 $\mu$ F, 160V, CF
C954, C955	3504174	15000 $\mu$ F, 69V, Elect.
<b>Resistors</b>		
R753, R754	441623914	390 $\Omega$ , 1W, Metal oxide film
R951	442525104	51 $\Omega$ , 1/2W, Metal oxide film
R964, R965	441522294	0.22 $\Omega$ , 1/2W, Metal oxide film
<b>Etc.</b>		
	25030257	NRSM-164-30SS, Switch
	25045164	HLJ4317-01-3020, Headphone jack
	27300731	Plate (C)
	27300732	Plate (P)

**SPEAKER TERMINAL PC BOARD (NATS-2168) – PARTS LIST**

CIRCUIT NO.	PART NO.	DESCRIPTION
	25060039	NTM-4PDMN10, Terminal

**SPEAKER TERMINAL PC BOARD (NATS-2168a) – PARTS LIST**

CIRCUIT NO.	PART NO.	DESCRIPTION
C751, C753	379121025	0.001 $\mu$ F, 50V, Capacitor DEW
	25060039	NTM-4PDMN10, Terminal

**LED CIRCUIT PC BOARD (NADIS-2169) – PARTS LIST**

CIRCUIT NO.	PART NO.	DESCRIPTION
D711	225174	SLR55MC3N, LED
	225173	SLR55MC3M, LED
	27190319A	Holder LED

**FUSE PC BOARD (NAFU-2203f) – PARTS LIST**

CIRCUIT NO.	PART NO.	DESCRIPTION
	250113	S-N5051, Fuse holder
	29355118	Label

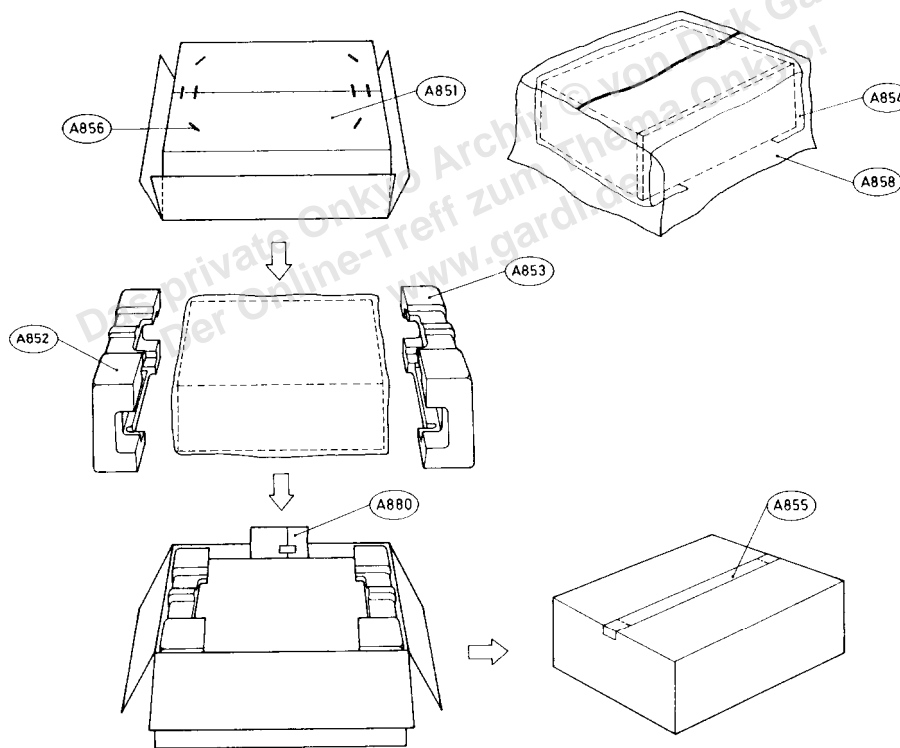
**FUSE PC BOARD (NAFU-2203b) – PARTS LIST**

CIRCUIT NO.	PART NO.	DESCRIPTION
	25050065	YSH403T, Fuse holder

**FUSE PC BOARD (NAFU-2203g) – PARTS LIST**

CIRCUIT NO.	PART NO.	DESCRIPTION
	250113	S-N5051, Fuse holder
	29360783	6A/125V, Label

**PACKING PROCEDURES**



REF. NO.	PART NO.	DESCRIPTION
A851	29051060A	Master carton box
	29051061A	Master carton box [BLACK]
A852	29090488C	Pad, left
A853	29090489B	Pad, right
A854	29095012-1	500x800, Protection sheet
A855	260021	Damplon tape
A856	282301	Sealing hook
A858	29100038A	720x950, Poly bag
A880	Accessory bag ass'y	
	29340845	Instruction manual [D]
	29340846	Instruction manual [G] [W]
	29365006-6	Warranty card [U]
	29358002C	Service station list [U]
	29360778	Label, flush [U]
	29100006A	350x250, Poly bag
	25055018	CV-K-1, Conversion plug [W]

NOTE: [U] : Only U.S.A. model  
 [G] : Only 220V model  
 [W] : Only 120V/220V model  
 [BLACK] : Black model

CHANGE OF PARTS

Dec., 28, 1985  
ONKYO CORPORATION  
SERVICE DIVISION  
M. YOKOCHI

MODEL A-8067

TYPE	CIRCUIT NO.	DESCRIPTION	AFTER CHANGE SPECIFICATIONS		BEFORE CHANGE SPECIFICATIONS		PART NO.	CHANGE DESCRIPTION	APPLI- CATION
			PART NO.	DESCRIPTION	PART NO.	DESCRIPTION			
UDN	P001 P002	AC outlet Power supply cord	NSCT-6P44 AS-UC-6#18 Label UL	25050216 253123 29360708	NSCT-6P38 AS-UC-4#18 Label LA	25050139 253112 29360168	UL:To polar from non- polar.	2417-	
NADA-2 286/a	P304 P306	Socket	NSCT-3P95	25050267	NJPS-3P-S	25050140	Cost down	2417-	
Silver Black	A801	Knob, volume		28321731B 28321906A		28321731A 28321906	Prevention to touch the pointer of knob.	From Sep. 85	
UD	T001	Power transformer	NPT-855D	230872A	NPT-855D	230872	UL:Change of second voltage.	1017-	
NAMA-2 157C	PL701	Lamp	PL14V 0.06A W-2.0	210183		210172	UL:Change to silicon rubber.	1017-	