

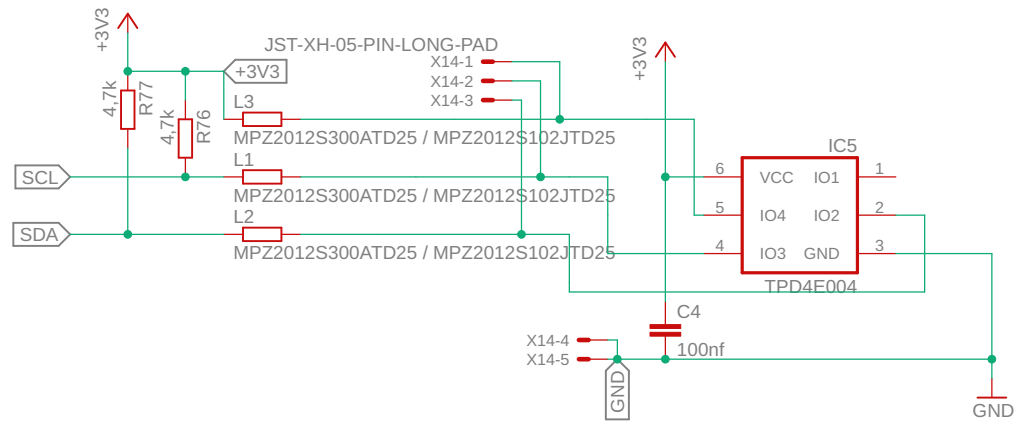
TITLE: HMI\_board

Document Number:

REV:

Date: 18.04.2020 17:50

Sheet: 1/1



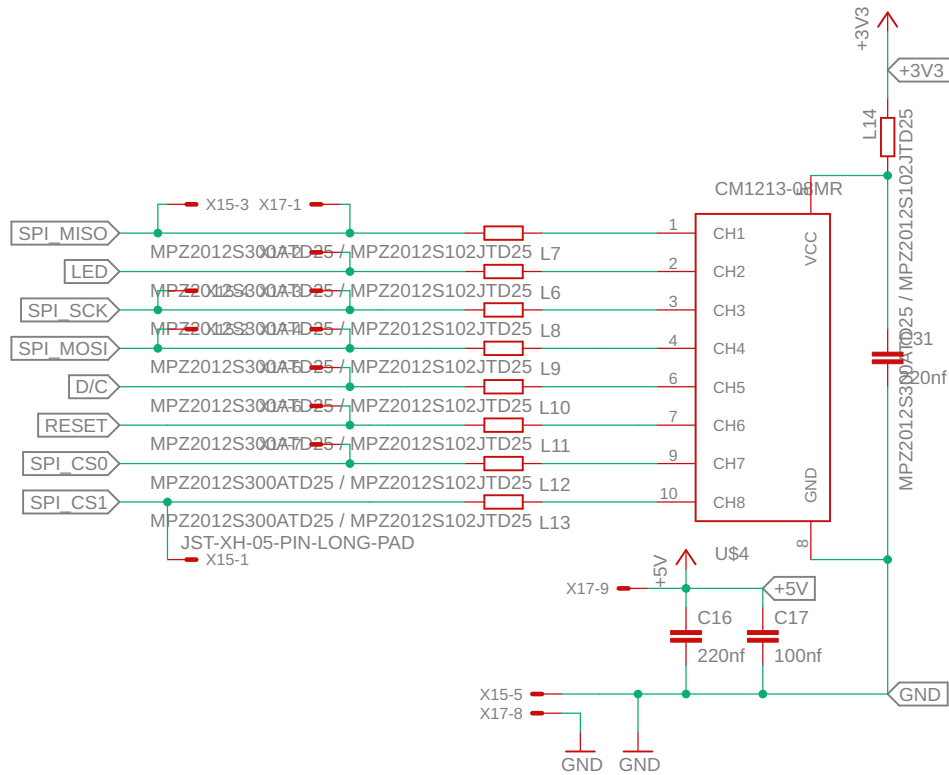
TITLE: HMI\_board

Document Number:

REV:

Date: 18.04.2020 17:50

Sheet: 1/1



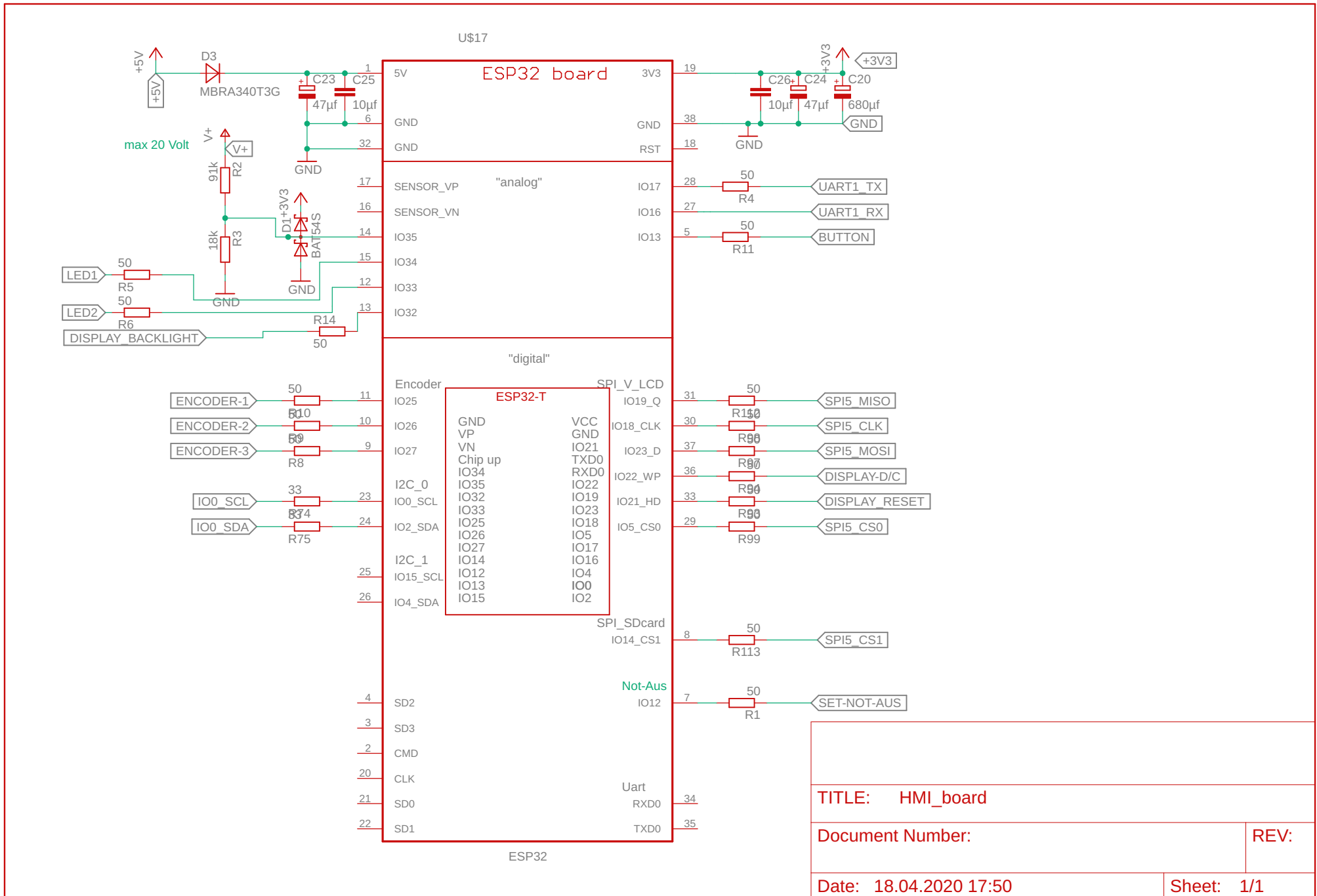
TITLE: HMI\_board

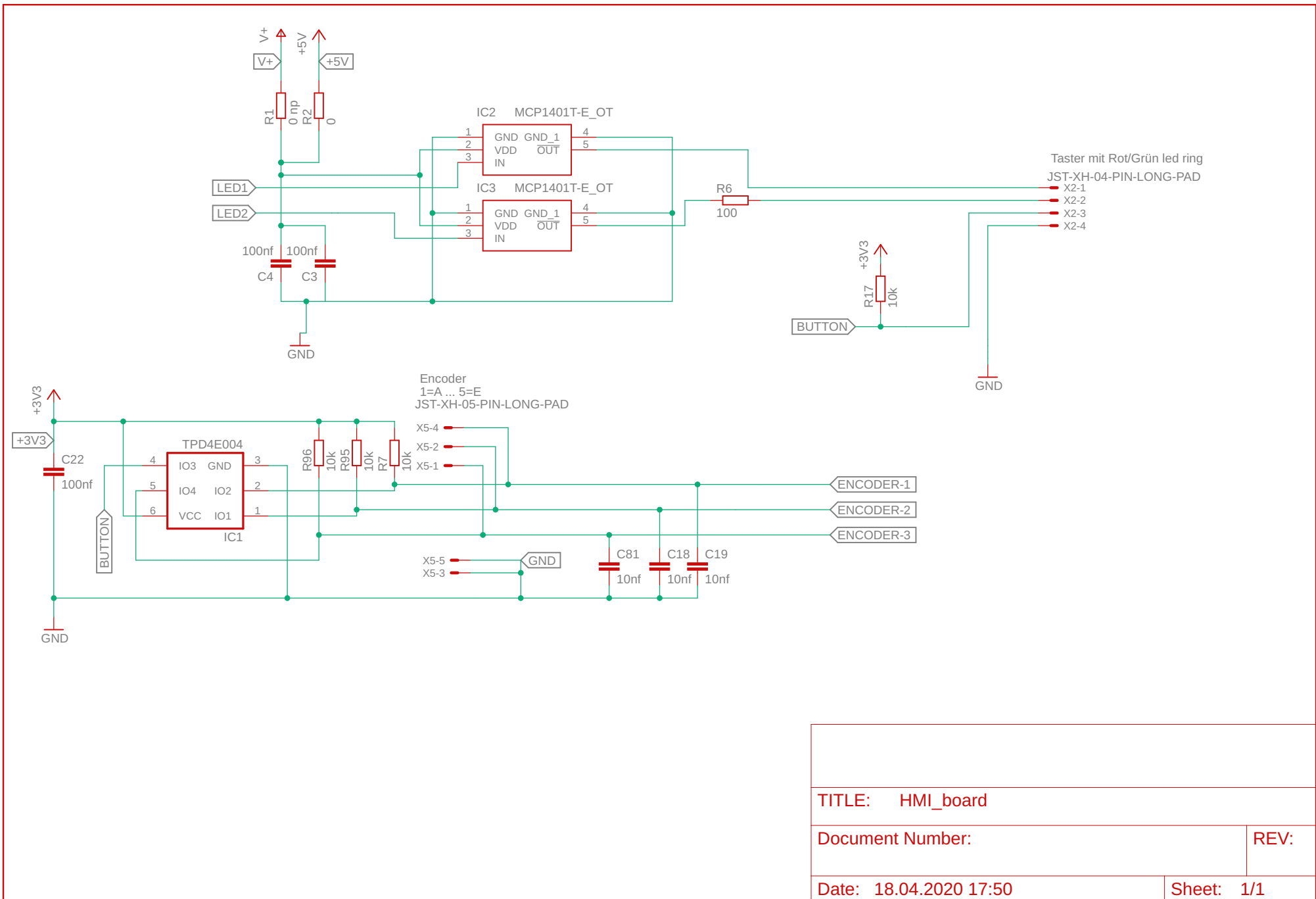
Document Number:

REV:

Date: 18.04.2020 17:50

Sheet: 1/1





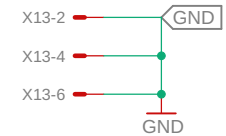
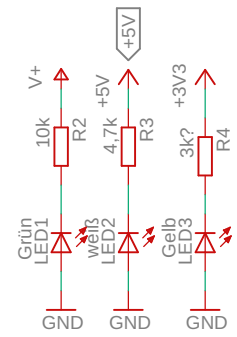
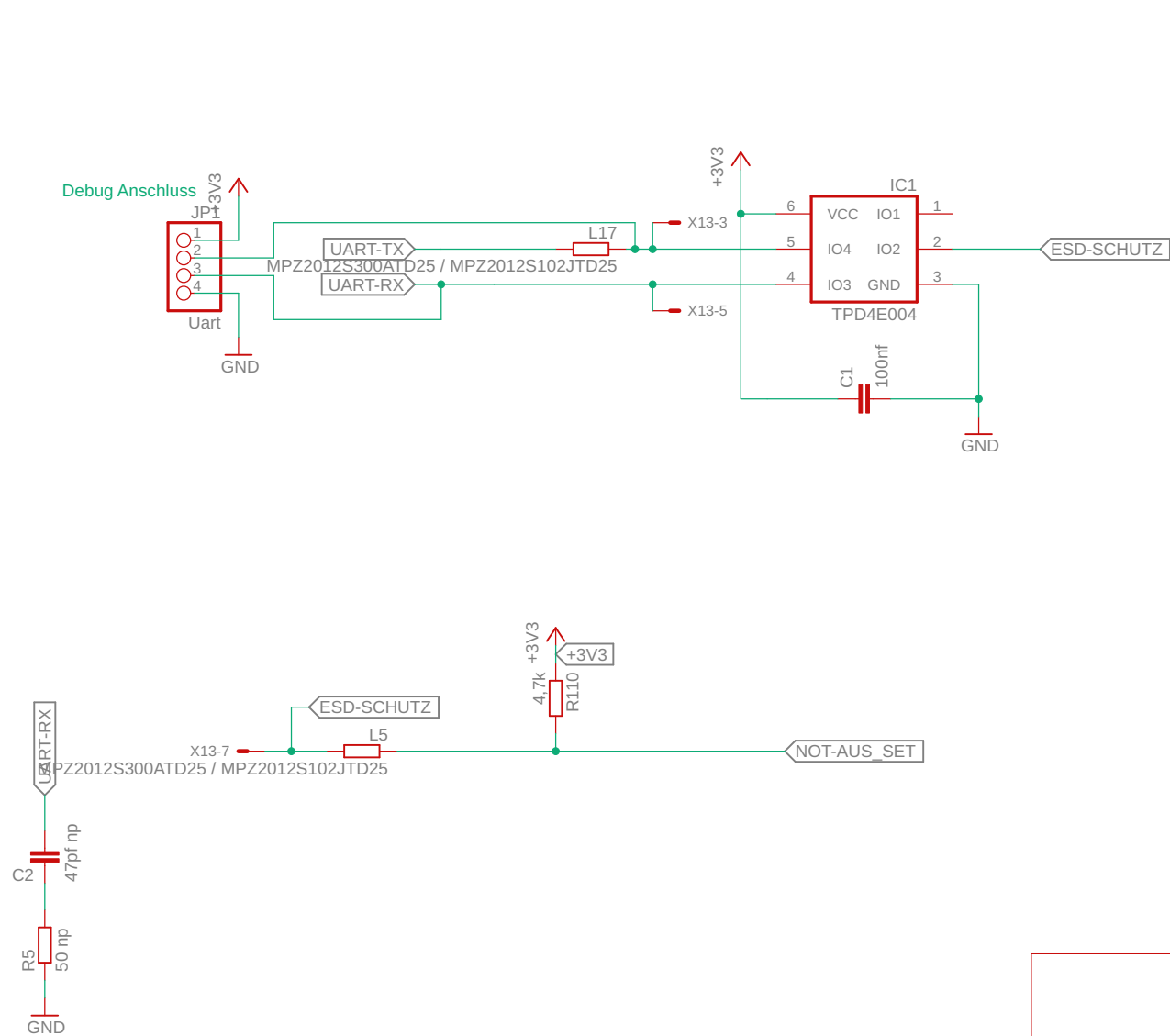
TITLE: HMI\_board

Document Number:

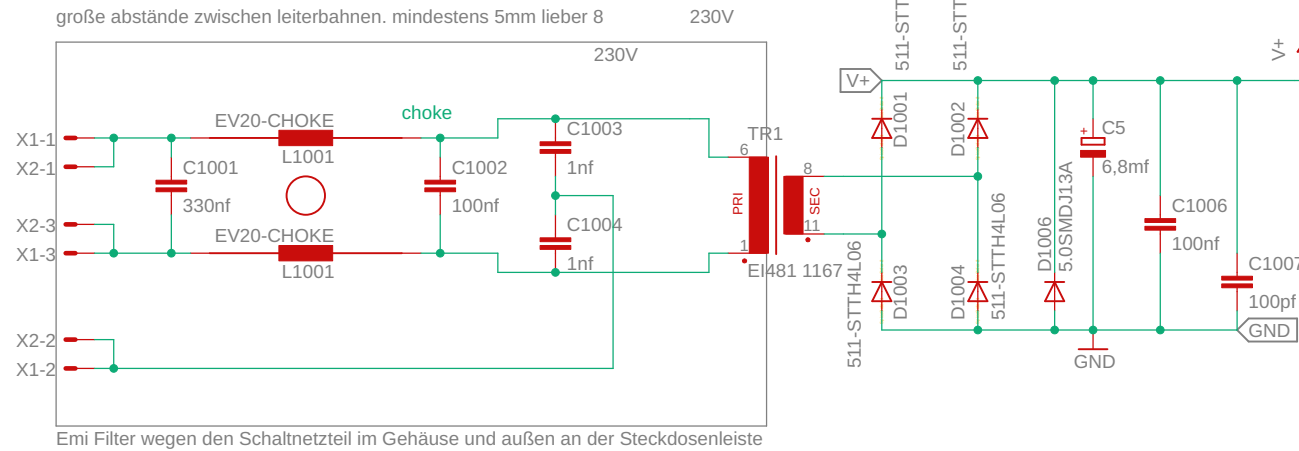
REV:

Date: 18.04.2020 17:50

Sheet: 1/1



TITLE: HMI_board	
Document Number:	REV:
Date: 18.04.2020 17:50	Sheet: 1/1



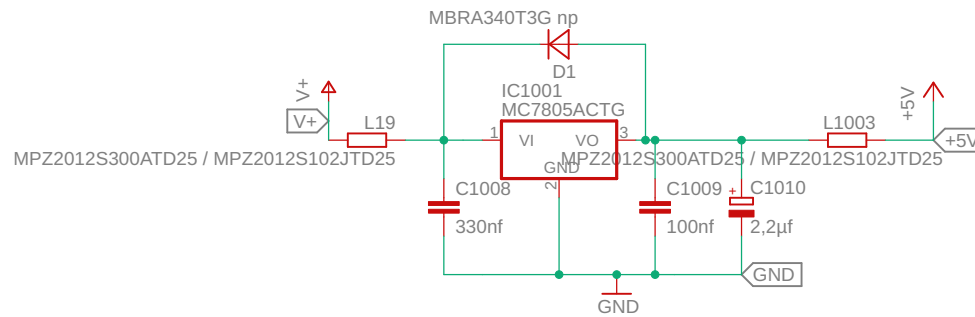
TITLE: HMI\_board

Document Number:

REV:

Date: 18.04.2020 17:50

Sheet: 1/1



TITLE: HMI_board	
Document Number:	REV:
Date: 18.04.2020 17:50	Sheet: 1/1