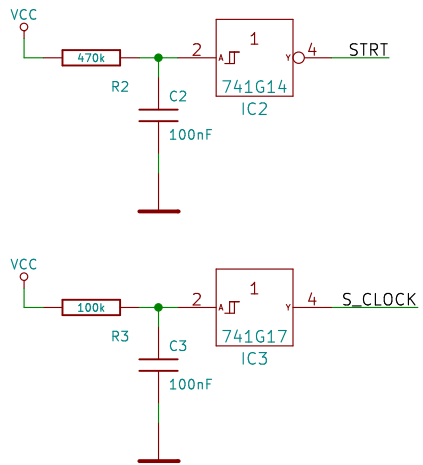


Sheet: POWER



File: power.sch

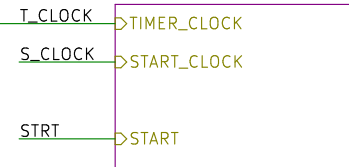


Sheet: TIMER

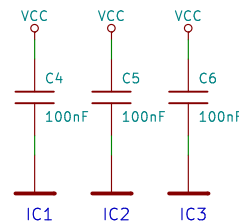


File: timer.sch

Sheet: REGISTER



File: register.sch



Boris

Sheet: /
File: Haus_Beleuchtung.sch

Title: Zufallsgenerator

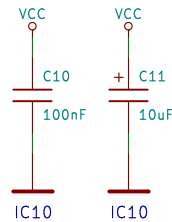
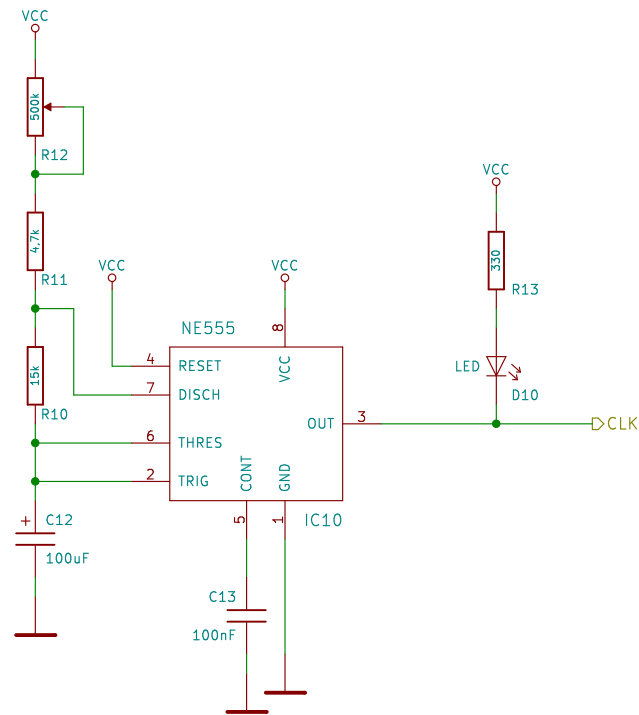
Size: A4 Date: 2017-01-08

KiCad E.D.A. kicad (5.1.2)-1

Rev: V1.1

Id: 1/4

Zeit 50k – Zyklus 5,5s
Zeit 550k – Zyklus 40,0s
LOW-Zeit 1s



Boris

Sheet: /TIMER/
File: timer.sch

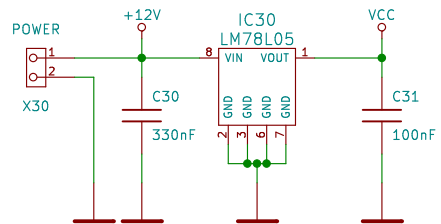
Title: Zufallsgenerator

Size: A4 Date: 2017-01-08

KiCad E.D.A. kicad (5.1.2)-1

Rev: V1.1

Id: 2/4



Boris

Sheet: /POWER/
File: power.sch

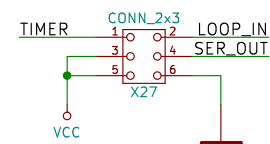
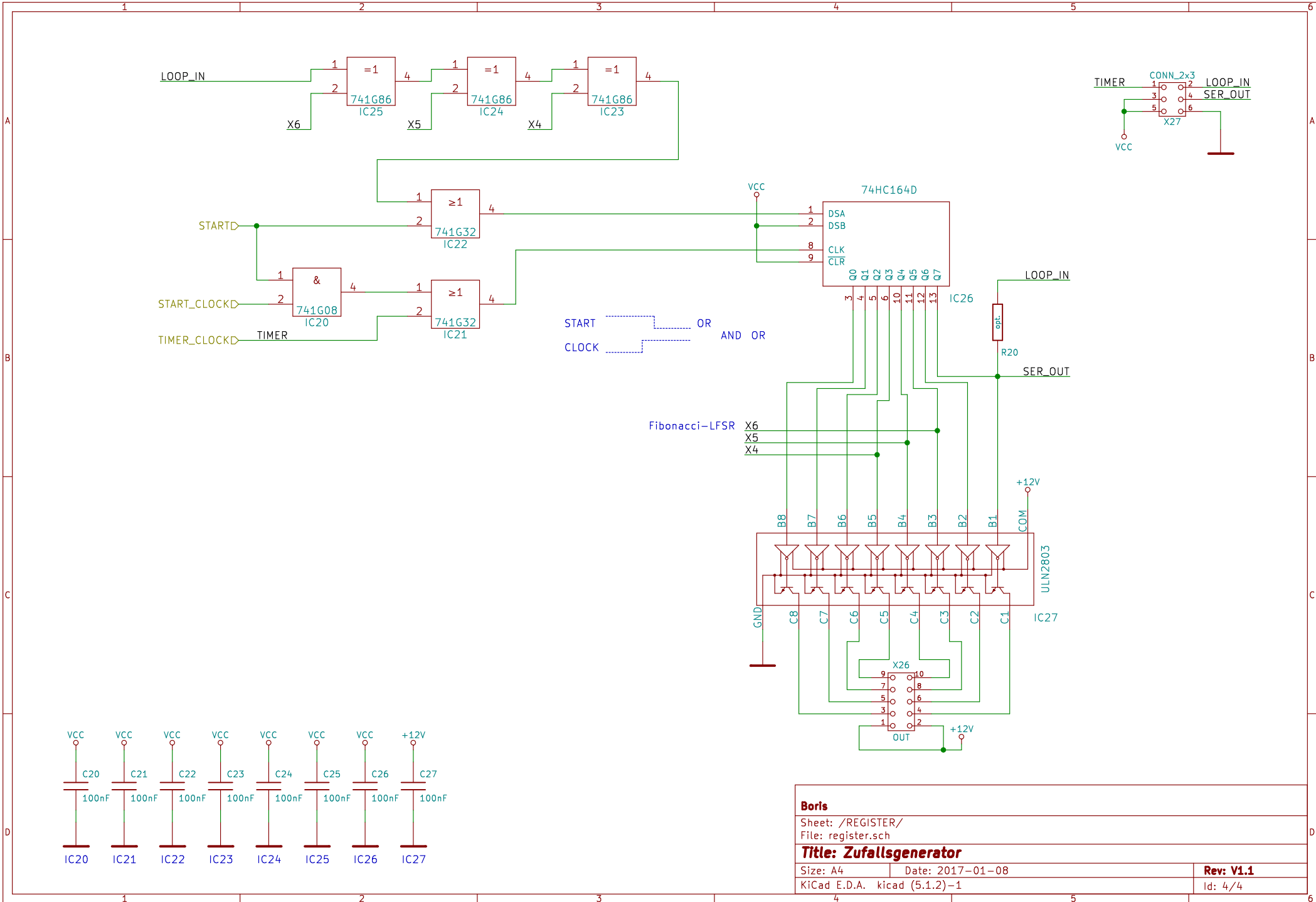
Title: Zufallsgenerator

Size: A4 Date: 2017-01-08

Rev: V1.1

KiCad E.D.A. kicad (5.1.2)-1

Id: 3/4



| | |
|--------------------------------|------------------|
| Boris | |
| Sheet: /REGISTER/ | |
| File: register.sch | |
| Title: Zufallsgenerator | |
| Size: A4 | Date: 2017-01-08 |
| KiCad E.D.A. kicad (5.1.2)-1 | Rev: V1.1 |
| | Id: 4/4 |