

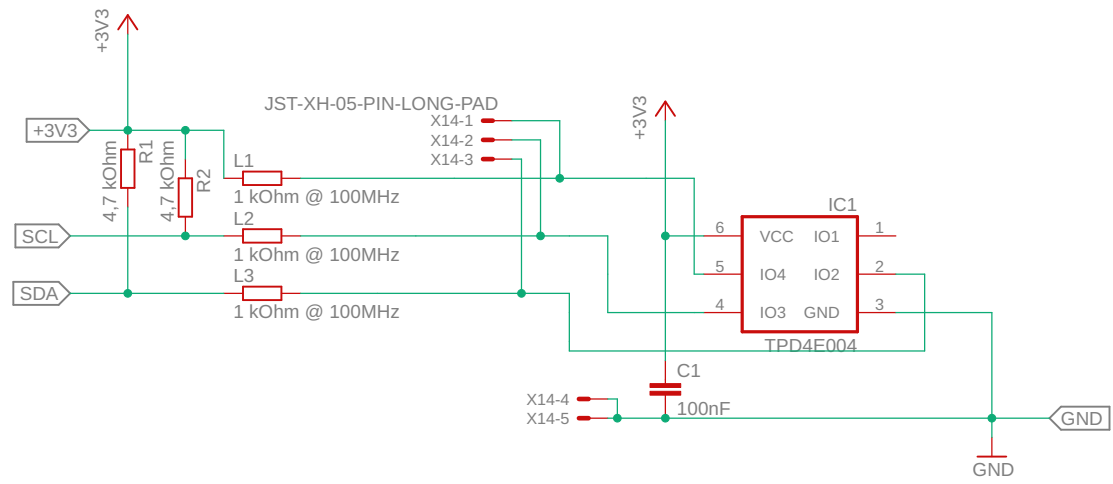
TITLE: HMI_board

Document Number:

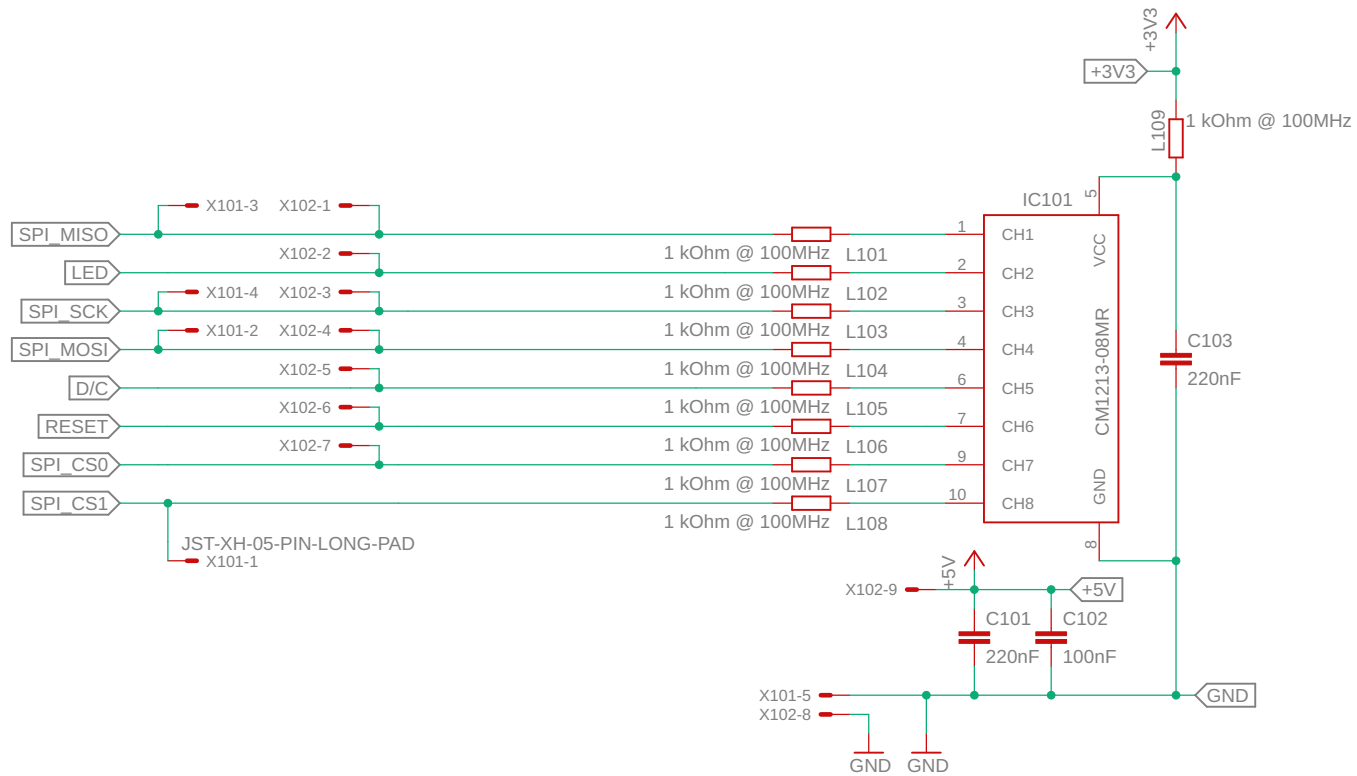
REV:

Date: 09.05.2020 22:12

Sheet: 1/1



TITLE: HMI_board	
Document Number:	REV:
Date: 09.05.2020 22:12	Sheet: 1/1



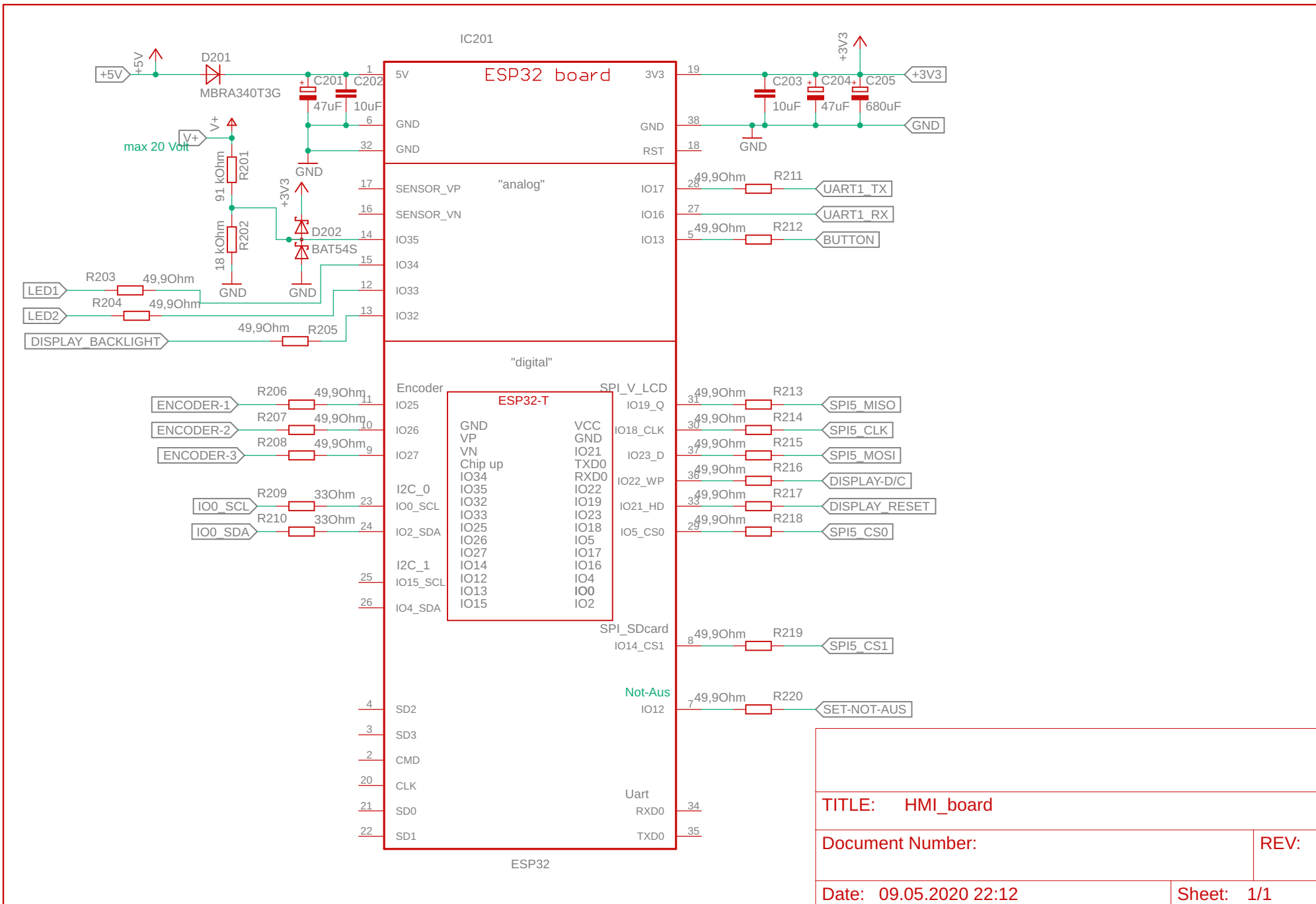
TITLE: HMI_board

Document Number:

REV:

Date: 09.05.2020 22:12

Sheet: 1/1



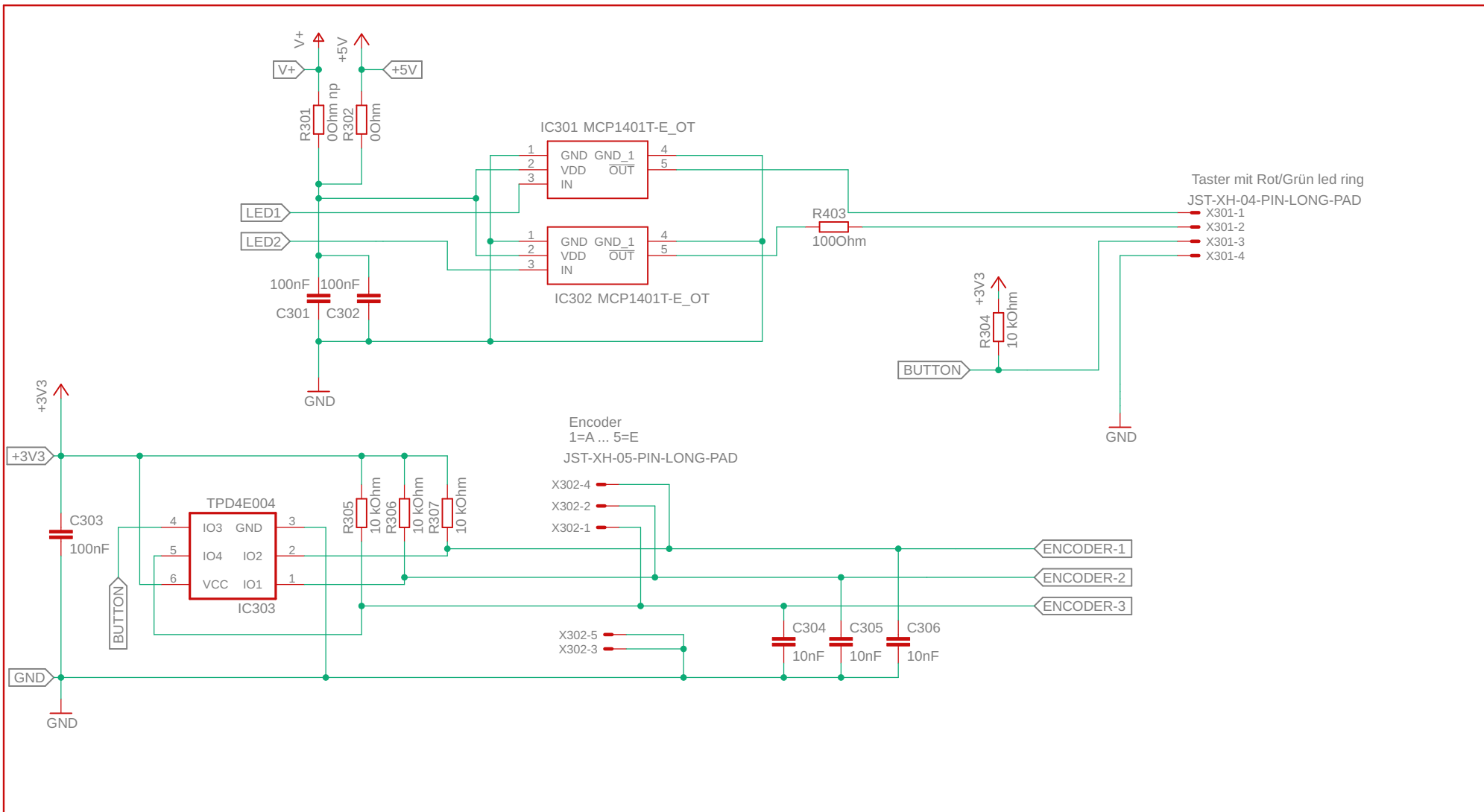
TITLE: HMI_board

Document Number:

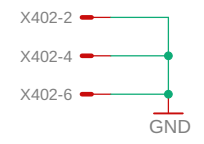
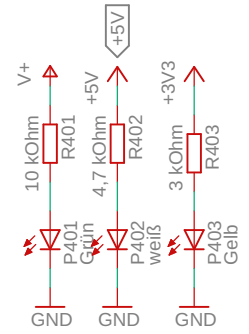
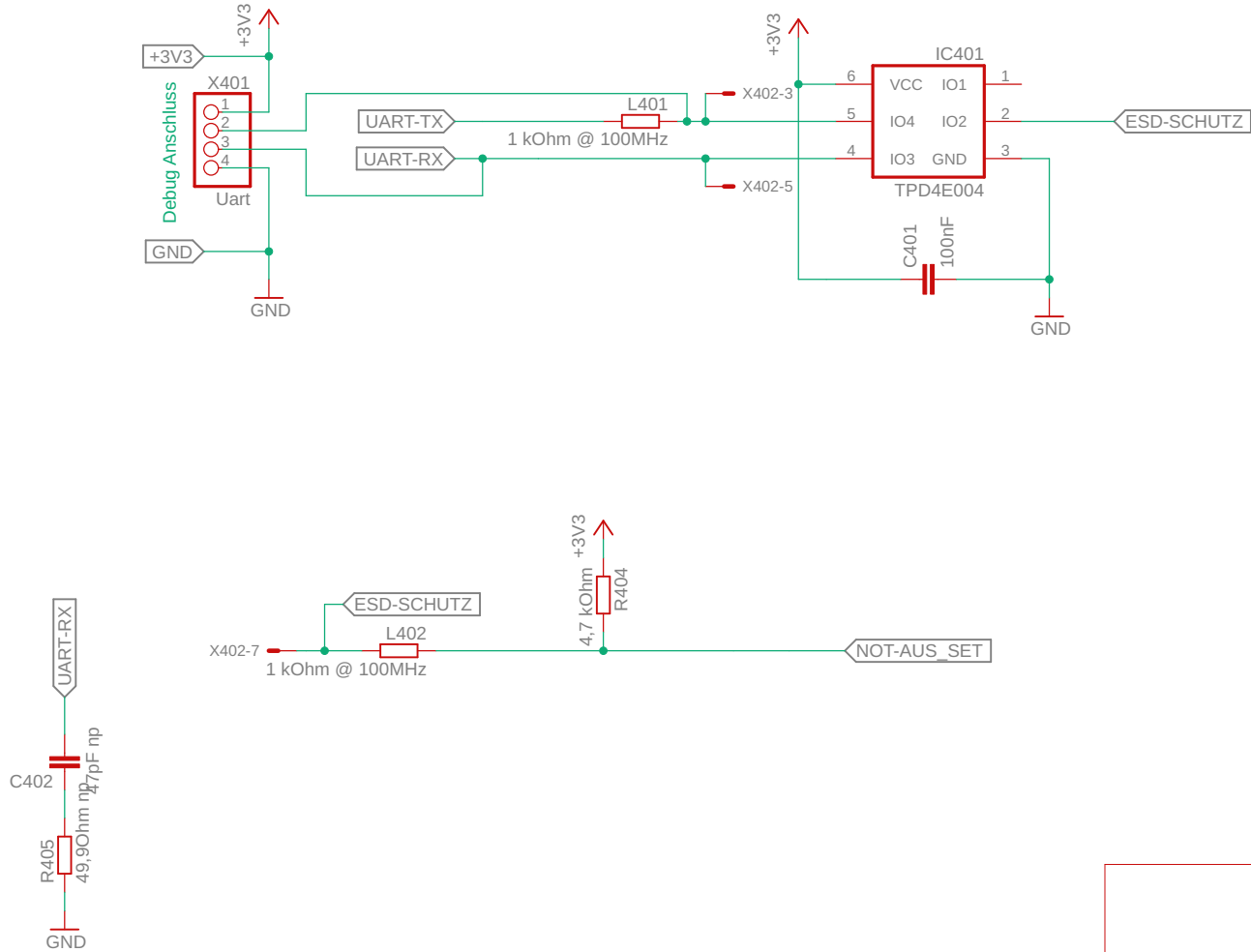
REV:

Date: 09.05.2020 22:12

Sheet: 1/1

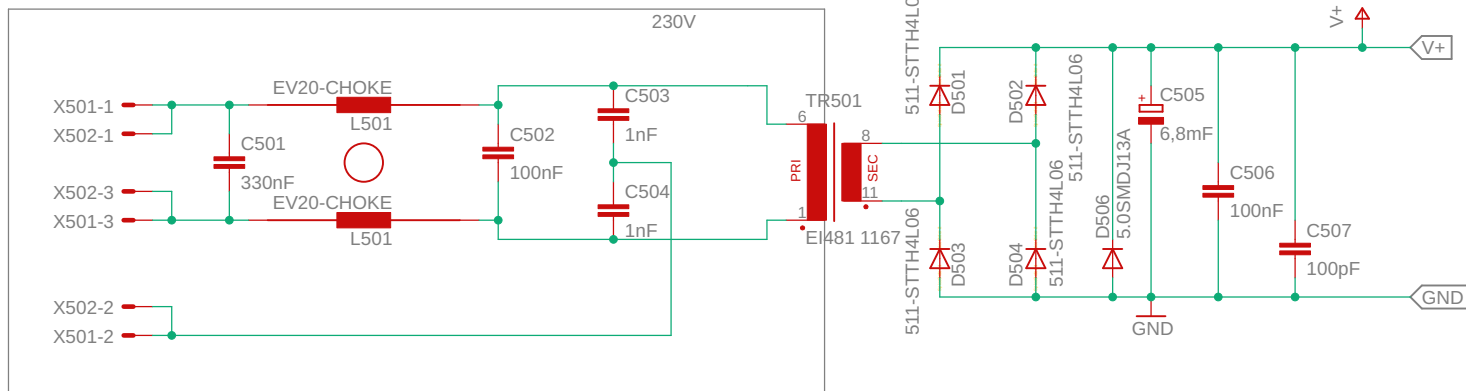


TITLE: HMI_board	
Document Number:	REV:
Date: 09.05.2020 22:12	Sheet: 1/1



TITLE: HMI_board	
Document Number:	REV:
Date: 09.05.2020 22:12	Sheet: 1/1

große abstände zwischen leiterbahnen. mindestens 5mm lieber 8



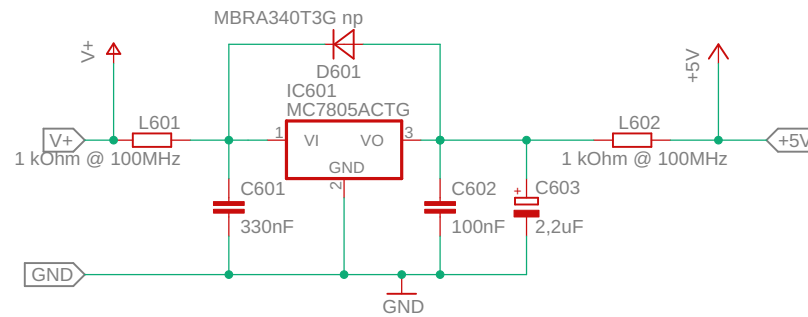
TITLE: HMI_board

Document Number:

REV:

Date: 09.05.2020 22:12

Sheet: 1/1



TITLE: HMI_board	
Document Number:	REV:
Date: 09.05.2020 22:12	Sheet: 1/1