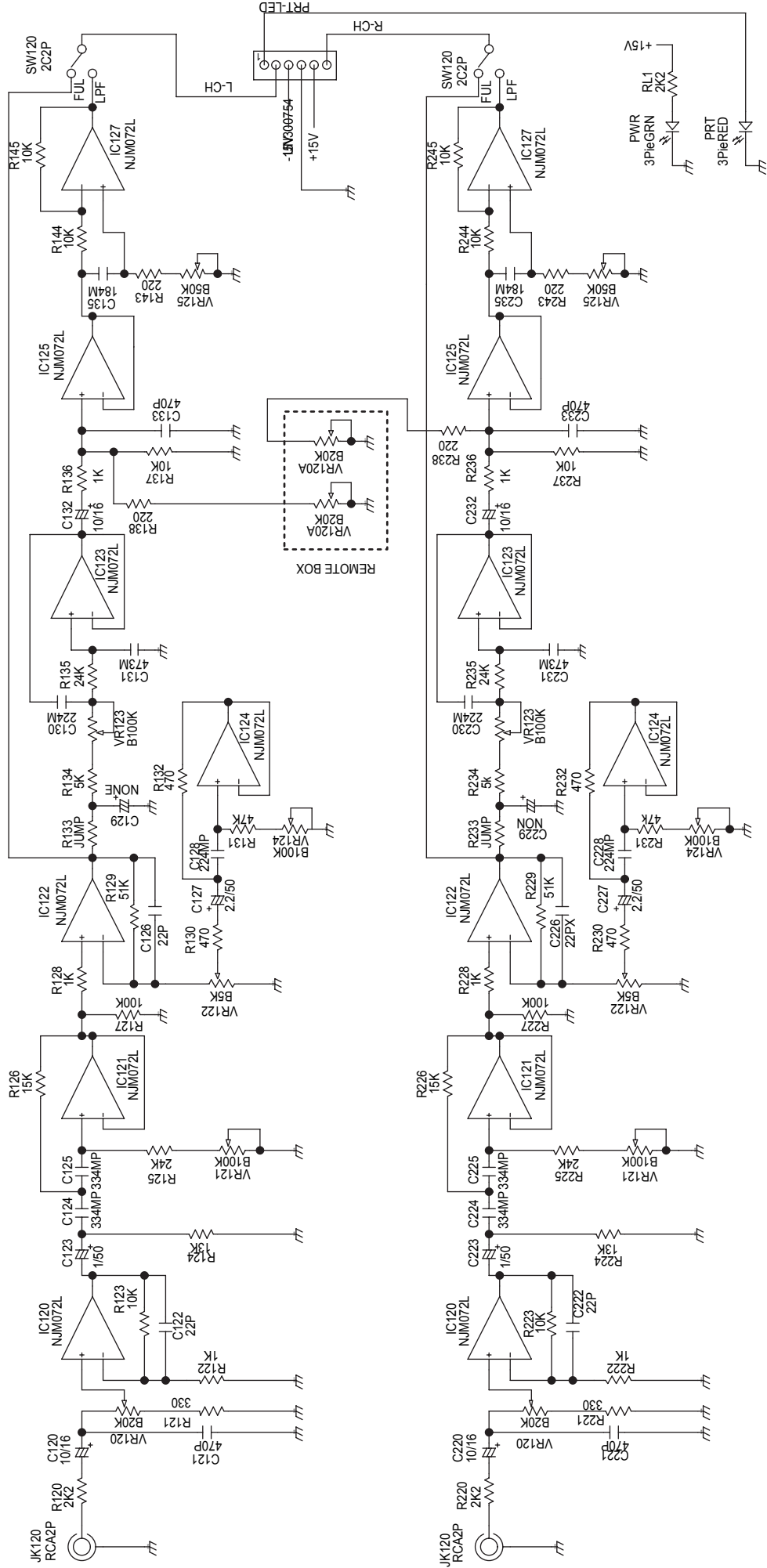


SCHEMATIC DIAGRAM

MODEL:GZHA-2350X PRE



Schematic Diagram
Main amplifier
 MODEL NO:GZHA2350X

