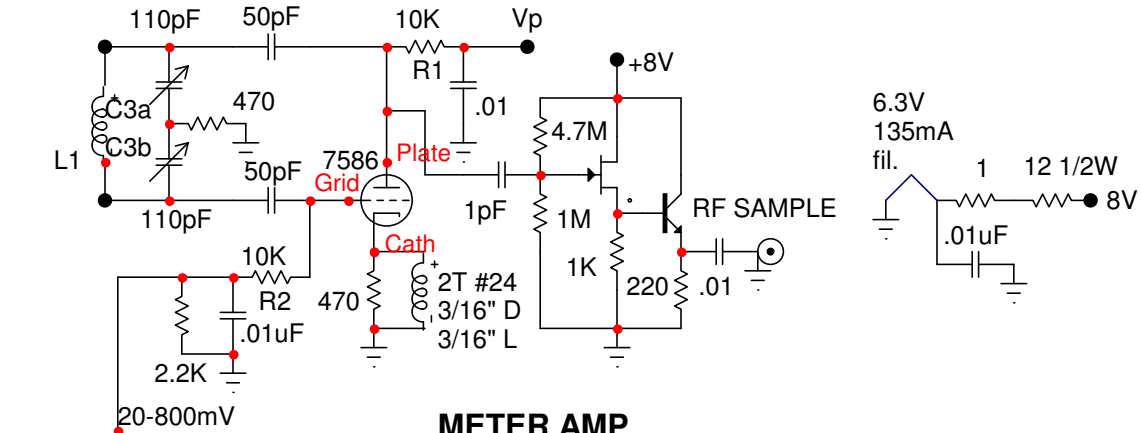
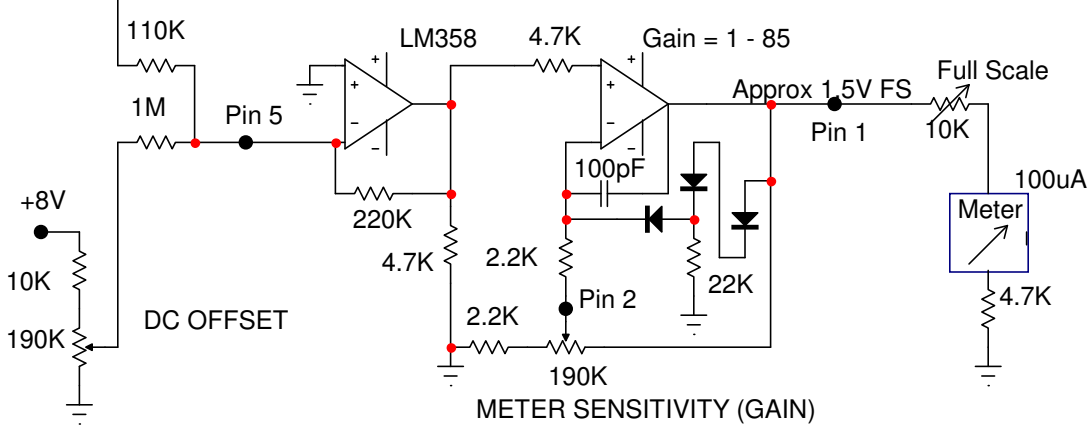


# GRID DIP METER W/ NUVISTOR

## OSCILLATOR

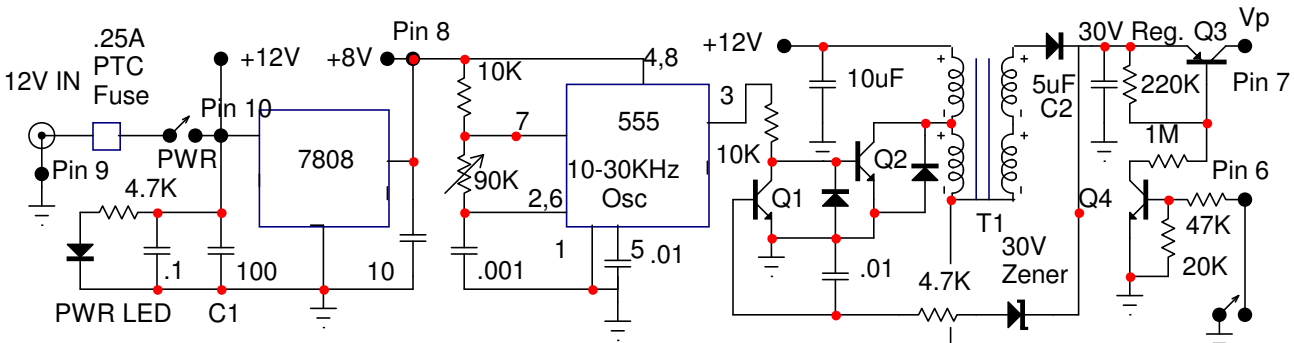


## METER AMP

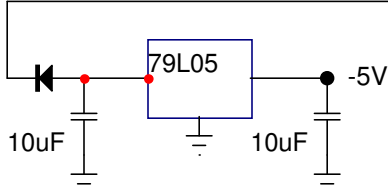


## POWER SUPPLY

## 1-3mA 30V INVERTER PS FOR PLATE V



## OPTIONAL NEGATIVE OPAMP SUPPLY TO PREVENT LATCHUP



Ganged w/ Pwr:  
open => 30V Vp  
gnd => 0V Vp  
for diode detector