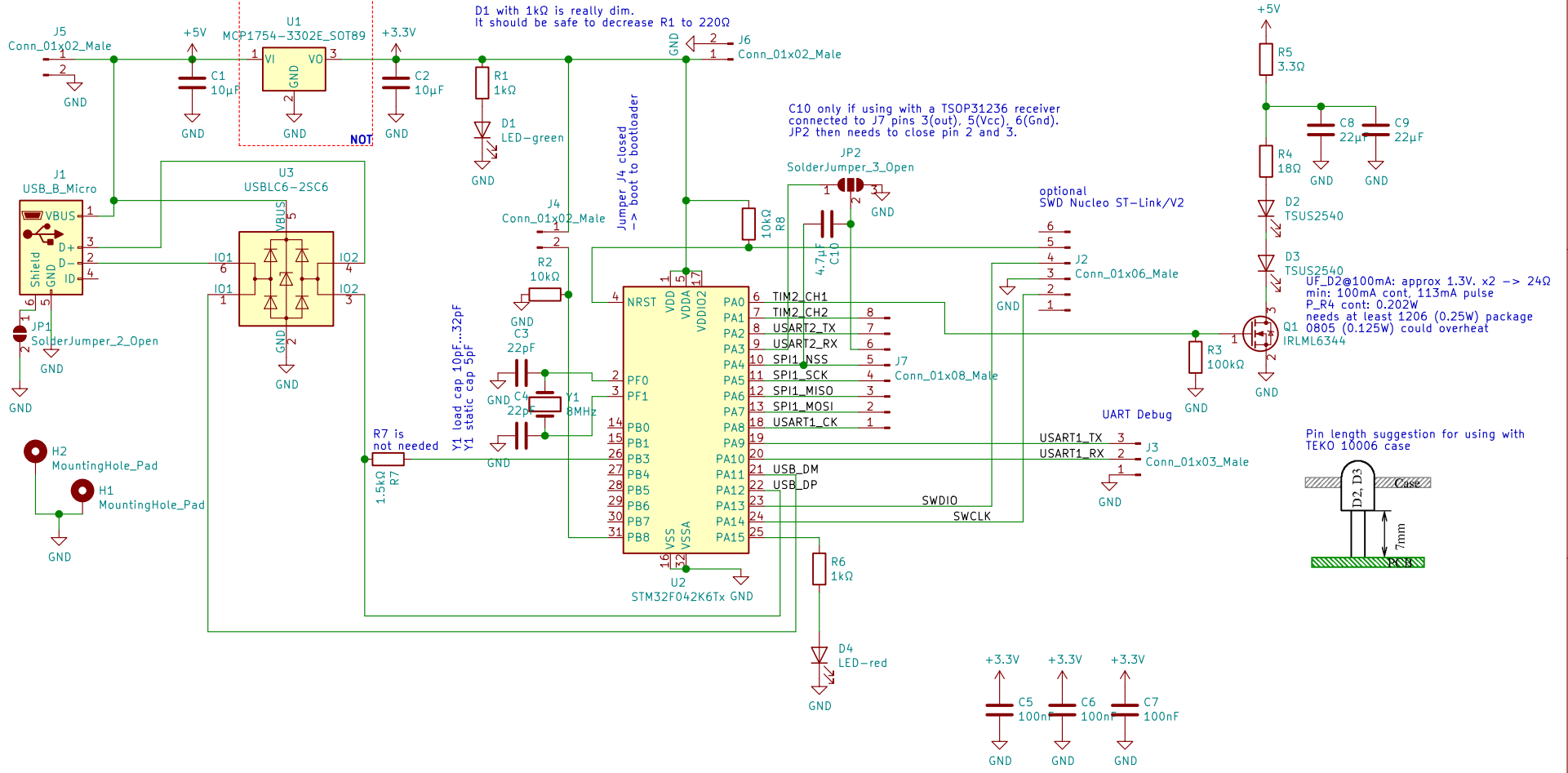
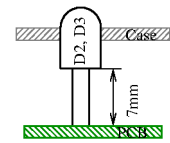


Do not use U1 with selected SOT-23 footprint for the PCB!  
 The pin connection is different than with the SOT-89!  
 Instead use TS2950CT33 or MCP1702-3302 on J5 and J6 as workaround.

D1 with 1kΩ is really dim.  
 It should be safe to decrease R1 to 220Ω

C10 only if using with a TSOP31236 receiver  
 connected to J7 pins 3(out), 5(Vcc), 6(Gnd).  
 JP2 then needs to close pin 2 and 3.

Pin length suggestion for using with  
 TEKO 10006 case



License: CC-BY-SA 3.0 DE

(c) 2020 by Malte Marwedel

Sheet: /  
 File: irUsbSender-v1-0-1.sch

Title: IRUSB

Size: A4 Date: 2020-11-28  
 KiCad E.D.A. kicad 5.0.2+dfsg1-1

Rev: 1.0.1  
 Id: 1/1