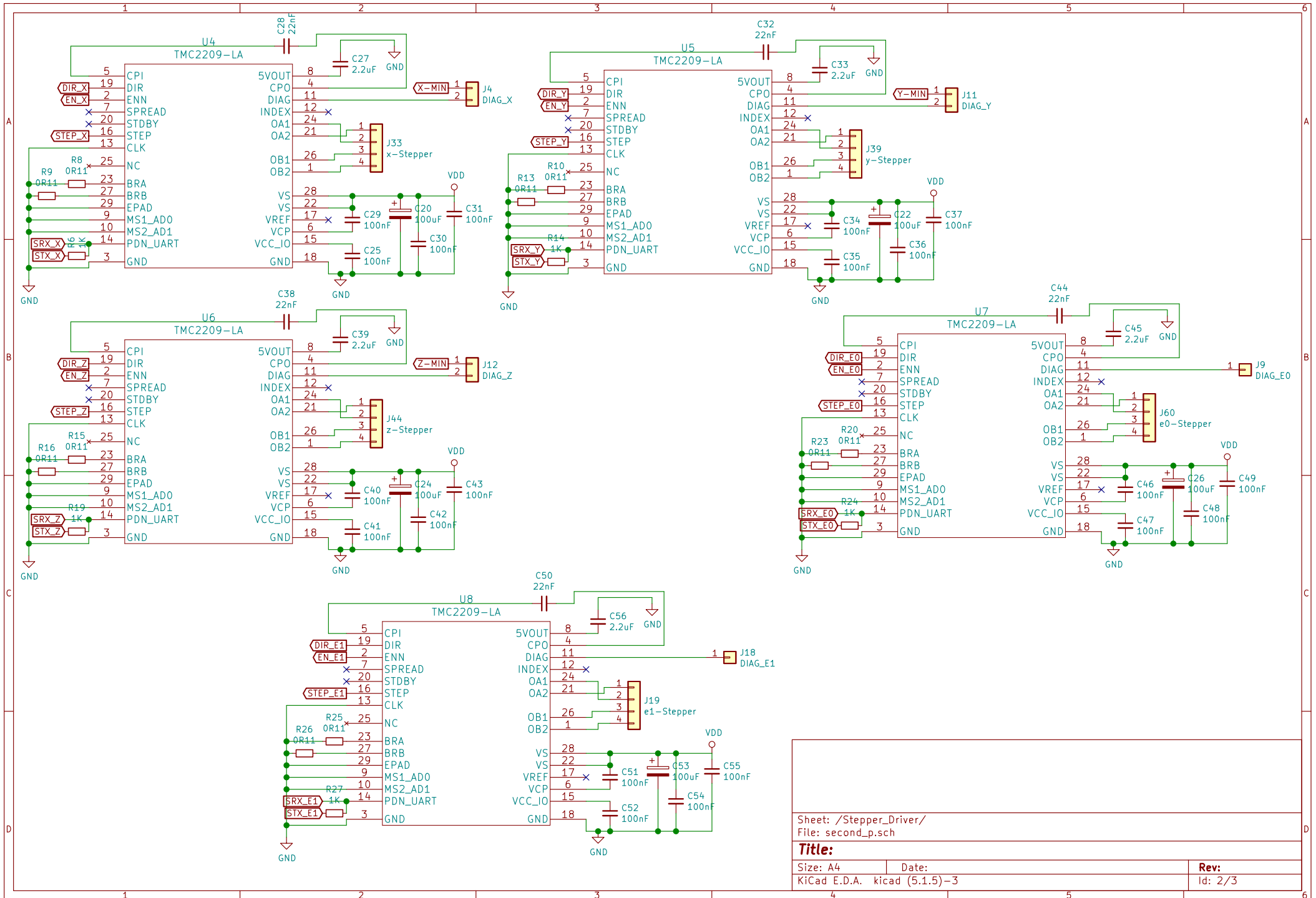


- H1 MountingHole
- H2 MountingHole
- H3 MountingHole
- H4 MountingHole

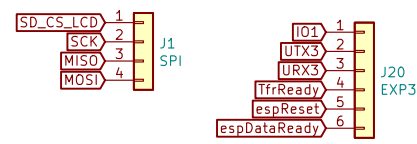
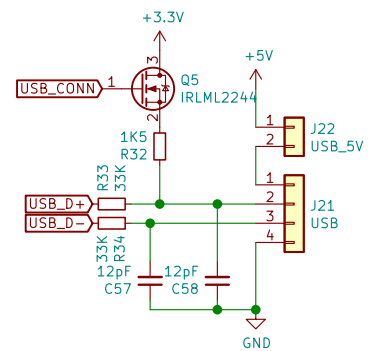
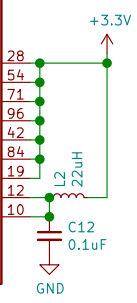
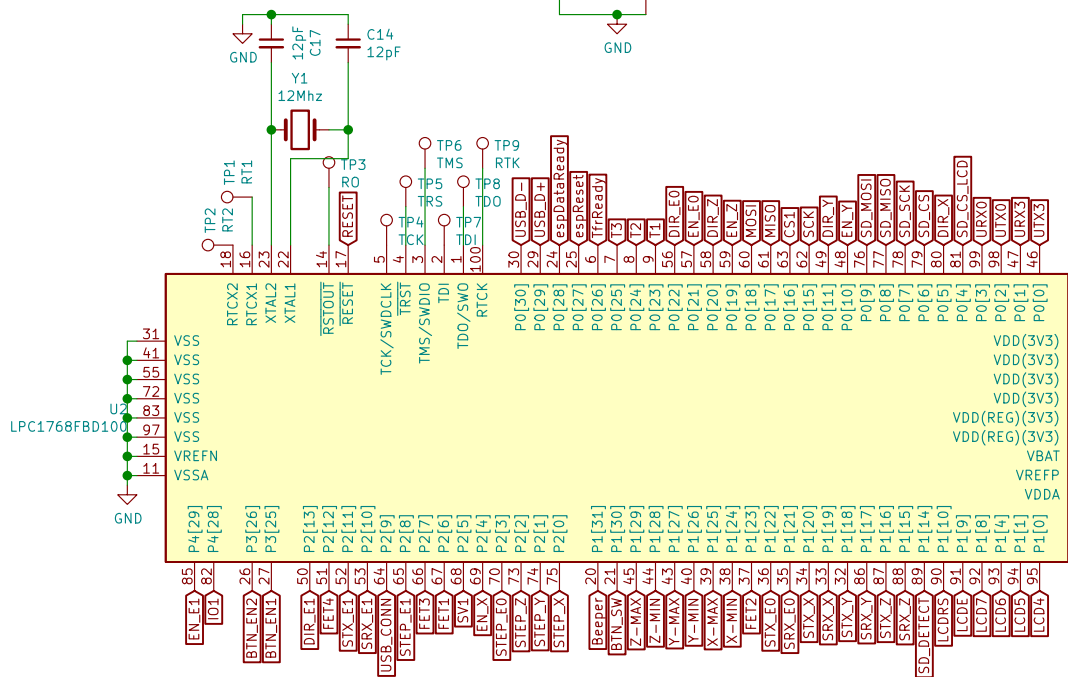
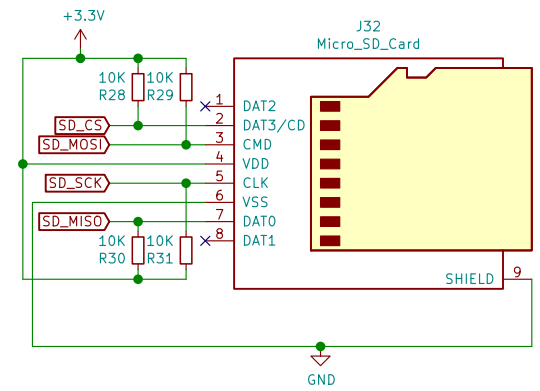
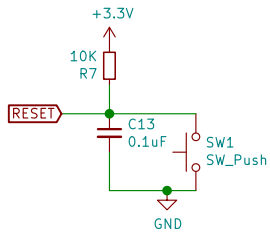
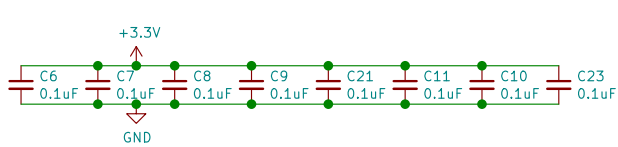
Sheet: /	
File: controller.sch	
<b>Title:</b>	
Size: A4	Date:
KiCad E.D.A. kicad (5.1.5)-3	Rev:
	Id: 1/3



Sheet: /Stepper\_Driver/  
 File: second\_p.sch

**Title:**

Size: A4	Date:	Rev:
KiCad E.D.A. kicad (5.1.5)-3		Id: 2/3



Sheet: /MCU/ File: MCU.sch	
<b>Title:</b>	
Size: A4	Date:
KiCad E.D.A. kicad (5.1.5)-3	Rev: Id: 3/3