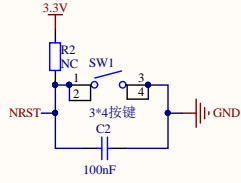
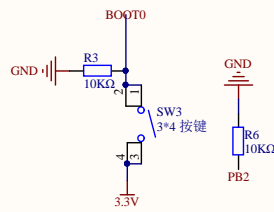


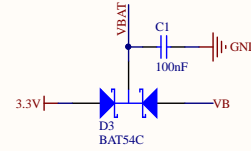
用户按键
User KEY



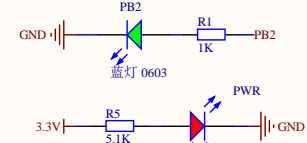
复位电路
Reset circuit



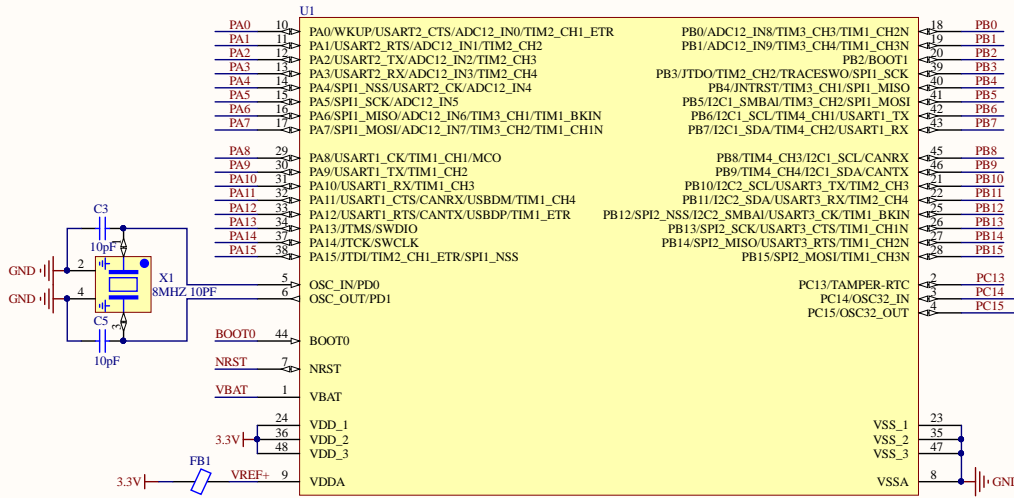
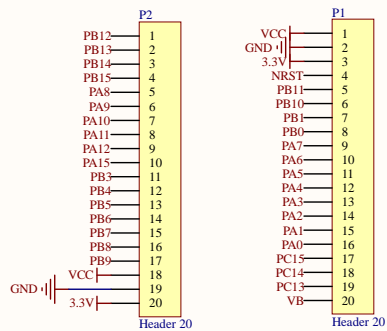
BOOT设置
BOOT Settings



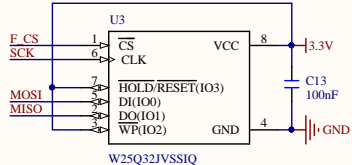
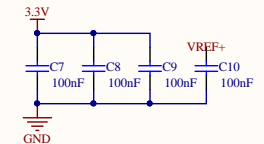
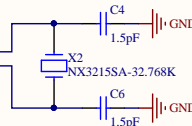
RTC电源
RTC circuit



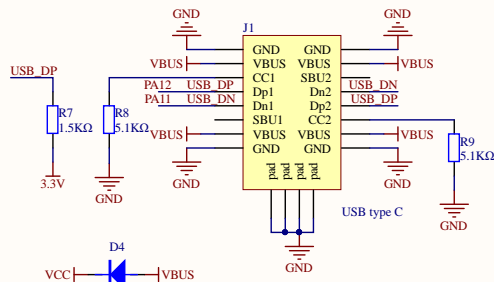
指示灯
Indicator light



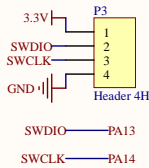
STM32F103C8T6/GD32F303CCT6



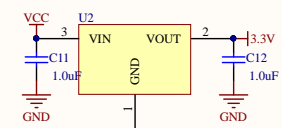
FLASH 自行购买焊接



Type-C 接口
Type-C interface



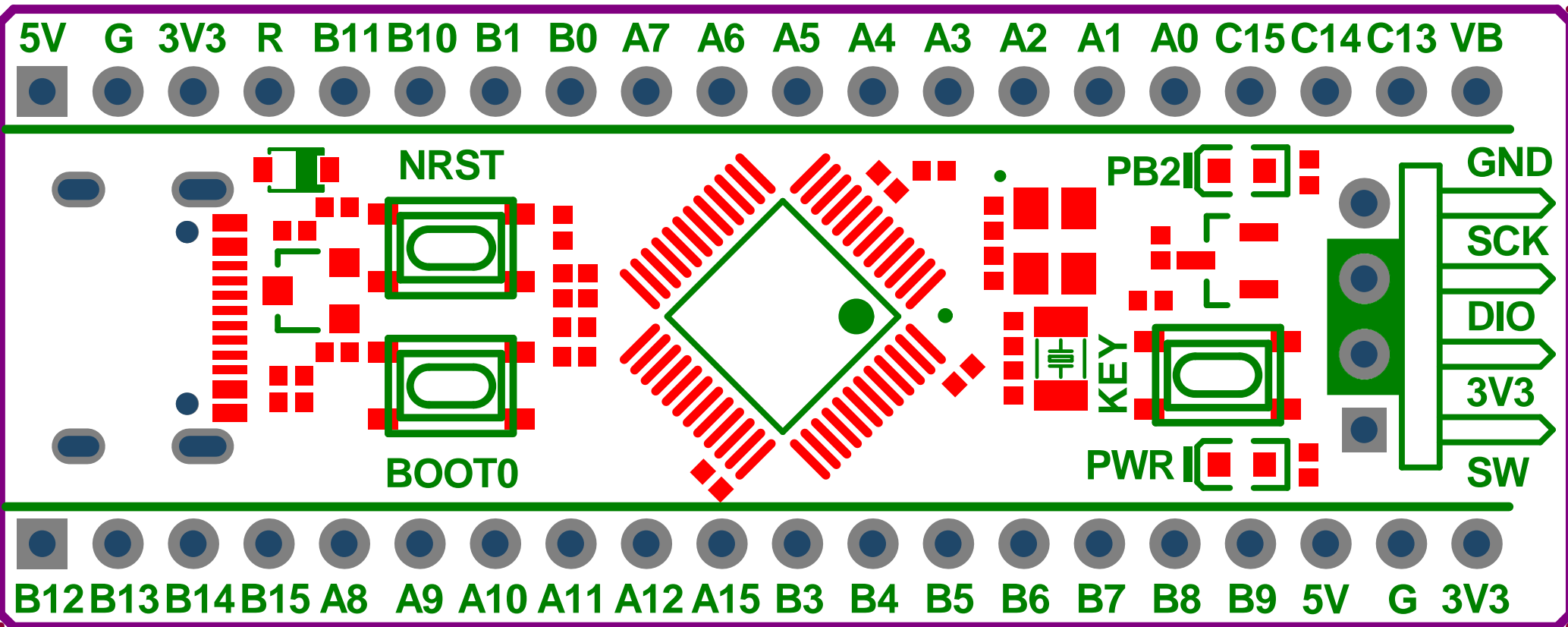
SW 调试下载接口
SW debug download interface



VCC -> 3.3V 电源转换
VCC -> 3.3V Power conversion
VCC IN: 3.3V - 5.5V

WeAct Studio

Title			BluePill+		
Size	Number	Revision			V1.0
A3					
Date:	2020/3/11	Sheet		of	
File:	E:\AD19\MiniF103C8.SchDoc	Drawn By:		zhuyix	



20.78mm

52.81mm