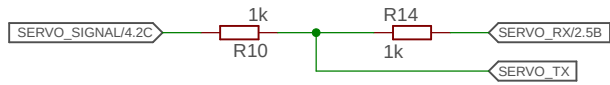
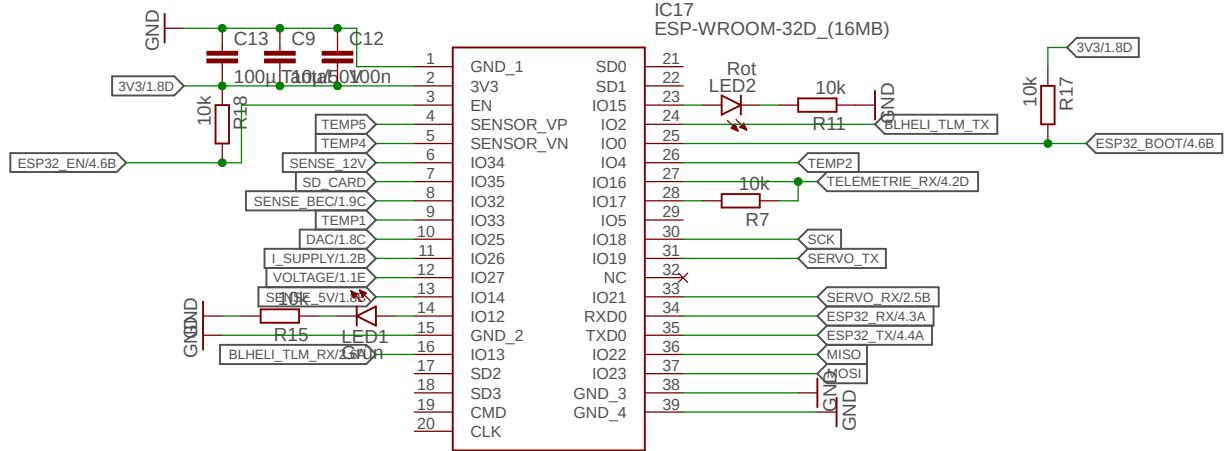


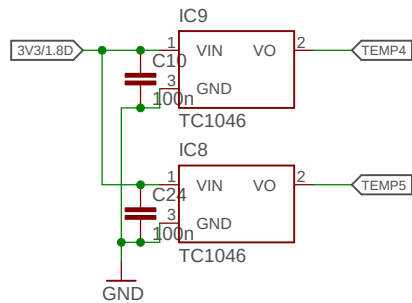
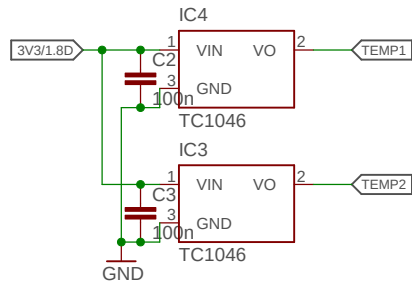
Servo Signal



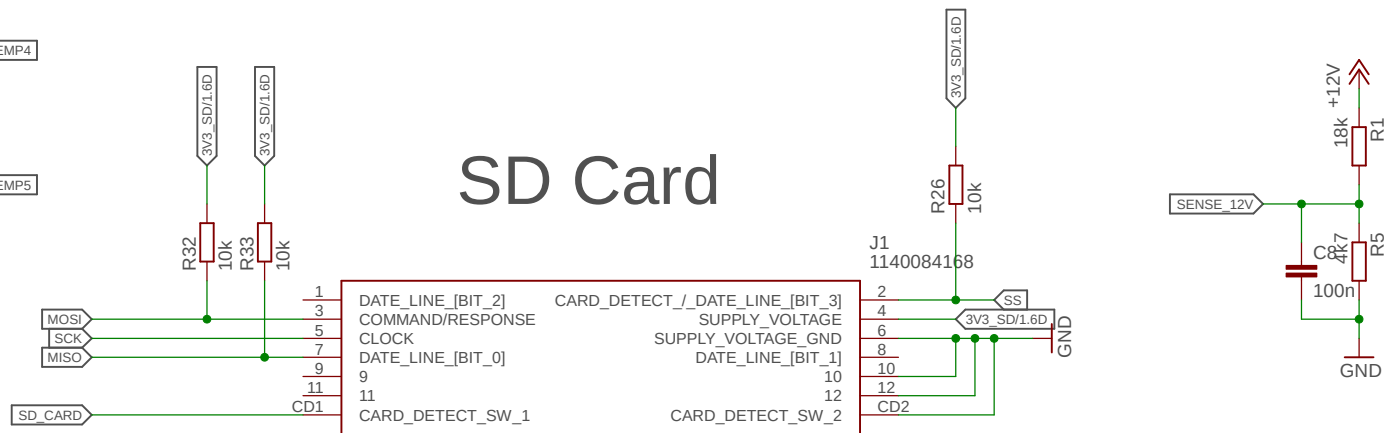
ESP32 Wroom



Temperature



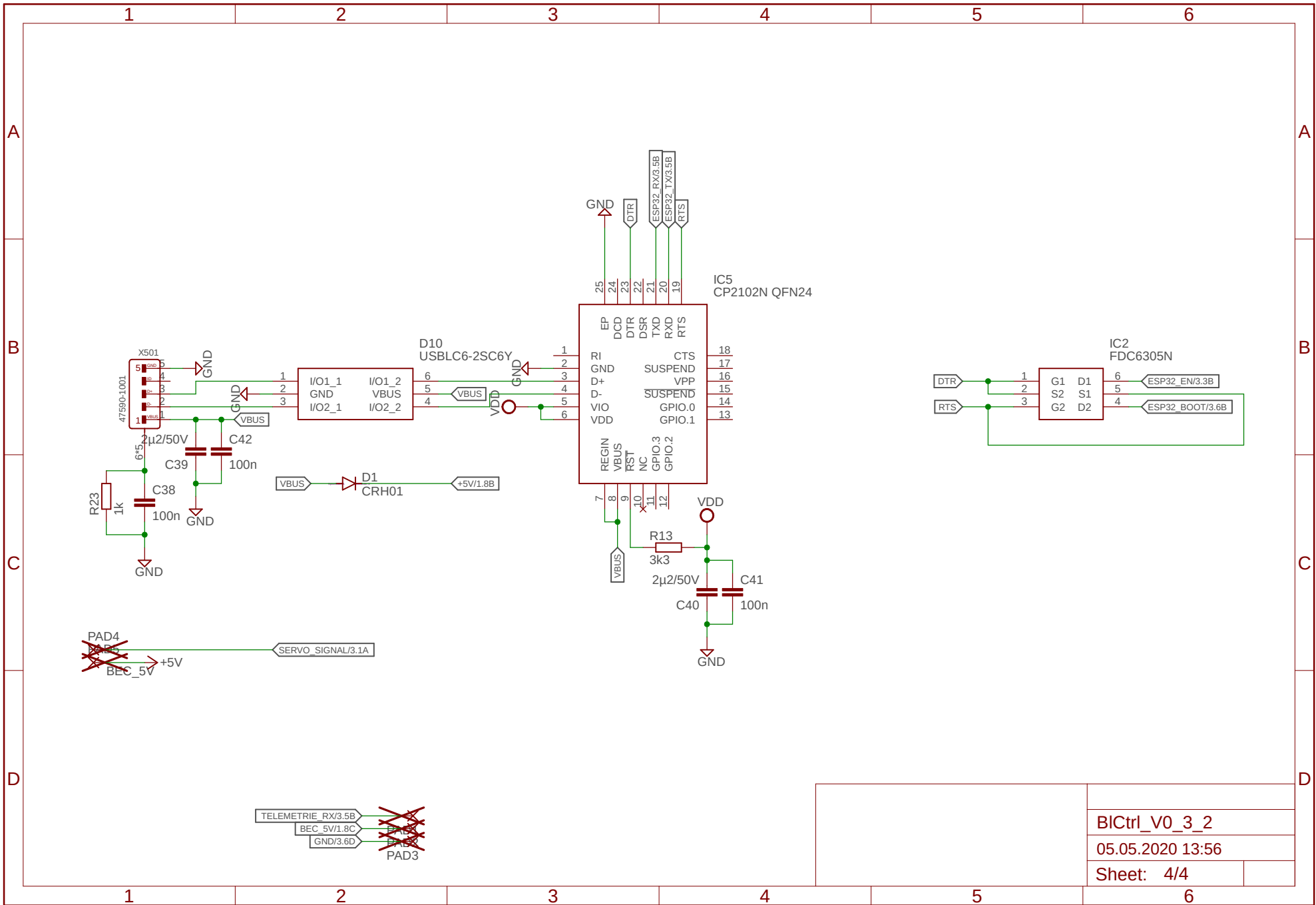
SD Card



BICtrl_V0_3_2

05.05.2020 13:56

Sheet: 3/4



BICtrl_V0_3_2
 05.05.2020 13:56
 Sheet: 4/4