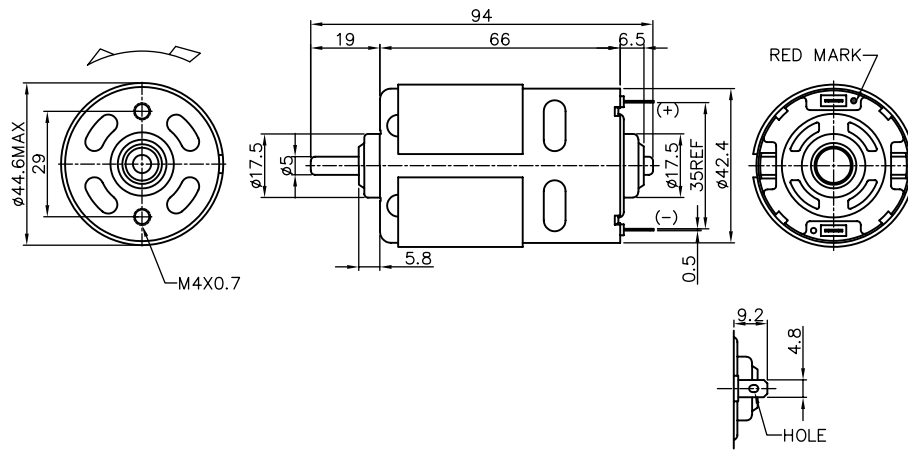


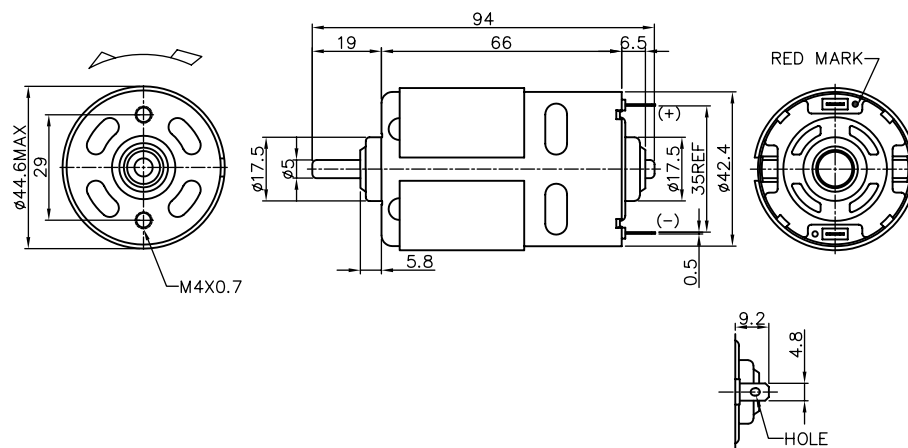
770 series Ø45 mm 21-114 W



Model - -
 Cabron brush = C V = Varistor
 Metal brush = M C = Capacitor

MOTOR DATA				
Part name	770-4087-CC	770-7040-CC	770-8525F-CC	770-32165-CC
Diameter (mm)	45	45	45	45
Lenth (mm)	66	66	66	66
Nominal voltage (V)	12	12	12	24
Nominal speed (rpm)	3500	8400	13500	3900
Nominal torque (mNm)	56.1	59.3	80.3	52.9
Nominal current A	2.8	6.0	12.1	1.3
No load speed (rpm)	4550	9700	16000	4650
No load current A	0.60	1.30	1.80	0.22
Stall torque (mNm)	334.1	595.7	587.9	397.1
Starting current (A)	14.1	56.9	83.0	8.6
Output (W)	21	53	114	22
Efficiency (%)	63	73	79	74
Operating temperature deg. C	-10..+60	-10..+60	-10..+60	-10..+60

775 series Ø45 mm 103-198 W



Model - -
 Cabron brush = C V = Varistor
 Metal brush = M C = Capacitor

MOTOR DATA				
Part name	775-9008F-CC	775-9009F-C-CC	775-8013F-C-CC	775-5520F-CC
Diameter (mm)	45	45	45	45
Lenth (mm)	66	66	66	66
Nominal voltage (V)	7.2	12	18	24
Nominal speed (rpm)	12300	18000	18700	18400
Nominal torque (mNm)	80.0	102.6	100.8	94.3
Nominal current A	20.1	21.1	15.8	10.7
No load speed (rpm)	14600	21000	22000	21000
No load current A	3.20	2.80	3.00	1.70
Stall torque (mNm)	508.8	806.4	837.3	705.9
Starting current (A)	108.7	143.7	110.4	68.1
Output (W)	103	194	198	182
Efficiency (%)	72	77	70	71
Operating temperature deg. C	-10..+60	-10..+60	-10..+60	-10..+60