

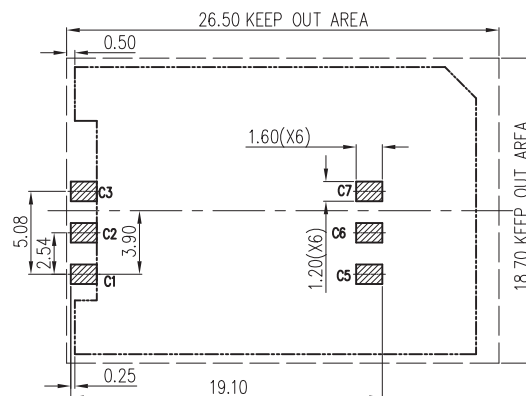
1

2

3

4

5



PCB LAYOUT - COMPONENT VIEW  
TOLERANCES GENERAL  $\pm 0.05$

#### TECHNICAL CHARACTERISTICS

MATERIAL  
INSULATOR: LCP  
FLAMABILITY RATING: UL94-V0  
COLOR: BLACK  
CONTACT MATERIAL: COPPER ALLOY  
CONTACT TYPE: STAMPED  
CONTACT PLATING: SELECTIVE GOLD  
LATCH: STAINLESS STEEL  
QUALITY CLASS: 5000 MATING CYCLES

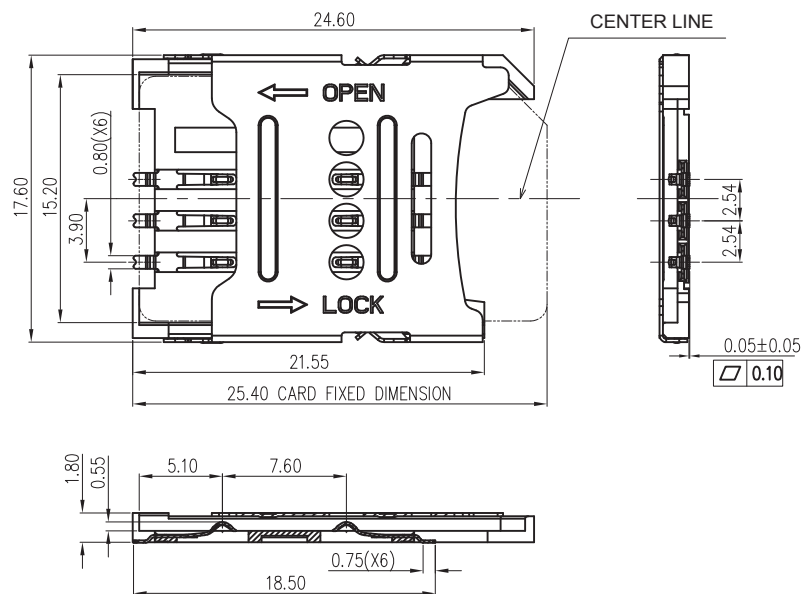
ENVIRONMENTAL  
OPERATING TEMPERATURE: -25 UP TO 85°C  
COMPLIANCE: LEAD FREE AND ROHS

ELECTRICAL  
CURRENT RATING: 1A  
WORKING VOLTAGE: 250VAC  
INSULATOR RESISTANCE: >100 MOHM  
DIELECTRIC WITHSTANDING VOLTAGE: 100VAC/MN  
CONTACT RESISTANCE: 100 mOHM MAX

SOLDERING  
JEDEC LEAD FREE REFLOW SOLDERING PROCESS

PACKAGING  
TAPE & REEL

PIN NO.	PIN NAME
C1	Supply Voltage Vcc
C2	Reset (RST)
C3	Clock (CLK)
C4	N/A
C5	Ground
C6	Programming Voltage Vpp
C7	I/O
C8	N/A



RoHS Compliant

G				PROJECTION: 	GENERAL TOLERANCE .X = $\pm 0.2$ .XX = $\pm 0.15$	 WÜRTH ELEKTRONIK	DESCRIPTION: WR-CRD Mini SIM_Hinge type_6 pins	SIZE <b>A4</b>
F								
E								
D	27-JUL-16	PCN	AK					
C	16-DEC-15	PCN	AK					
B	12-MAY-14	DWG UPDATE	QL	APPROVAL: NPr	UNIT: MM			
A	08-JUL-12	PDF	GG		SCALE:			
REV	DATE	FILE	BY		SHEET: 1/3		WERI PART NO: 693 012 040 811	
					DRAW: VICKY			



1

2

3

4

5

## Cautions and Warnings:

This electronic component is designed and developed with the intention for use in general electronics equipments.

Before incorporating the components into any equipments in the field such as aerospace, aviation, nuclear control, submarine, transportation, (automotive control, train control, ship control), transportation signal, disaster prevention, medical, public information network etc. where higher safety and reliability are especially required or if there is possibility of direct damage or injury to human body, Würth Elektronik must be asked for a written approval.

In addition, even electronic component in general electronic equipments, when used in electrical circuits that require high safety, reliability functions or performance, the sufficient reliability evaluation-check for the safety must be performed before by the user before usage.

A

B

C

RoHS Compliant

G				PROJECTION: 	GENERAL TOLERANCE .X = +/- 0.2 .XX = +/- 0.15		
F							
E							
D							
C				APPROVAL: JC	UNIT: MM	DESCRIPTION: DISCLAIMER	SIZE <b>A4</b>
B					SCALE:		
A	10-SEP-14	PDF	QL		SHEET: 3/3	WERI PART NO: DISCLAIMER	
REV	DATE	FILE	BY		DRAW: QL		

D

# Mouser Electronics

Authorized Distributor

Click to View Pricing, Inventory, Delivery & Lifecycle Information:

[Wurth Elektronik:](#)

[693012040811](#)