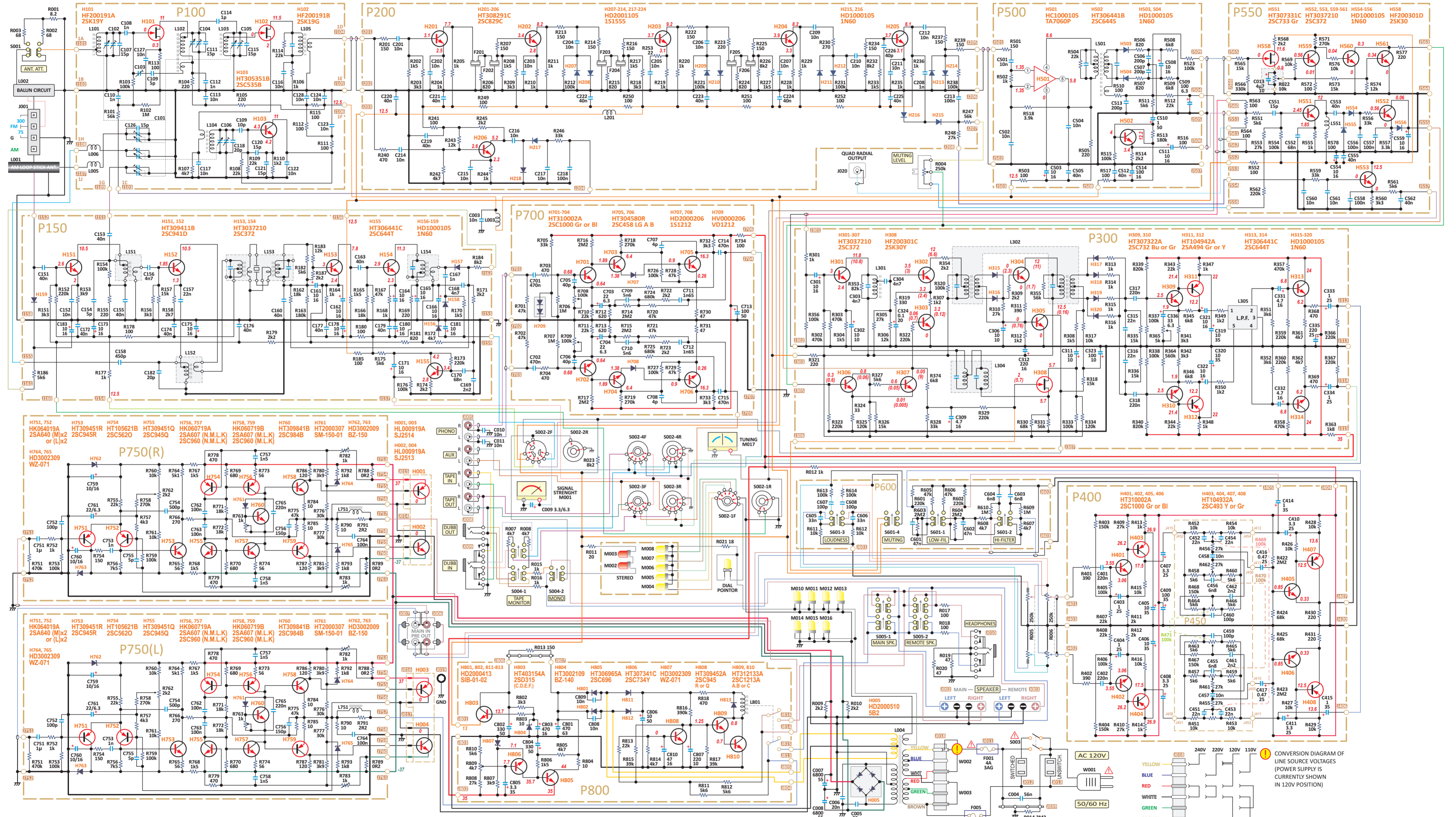


This is a custom vector drawing based on Marantz original schematic, made by my own. The size is ISO A2 (594x420 mm) but may be scaled to any size for printing and/or viewing. You may download to a local hard disk extracts and/or print this document for personal (non commercial) and educational use only. Commercial copying, hiring, lending of this document or any part of this document is prohibited. You may not distribute or commercially exploit the content. Nor may you transmit it or store it in any other website or other form of electronic retrieval system. In all cases this notice must remain intact. Copyright © 2018. by Mrki, AK member (www.audiokarma.org)

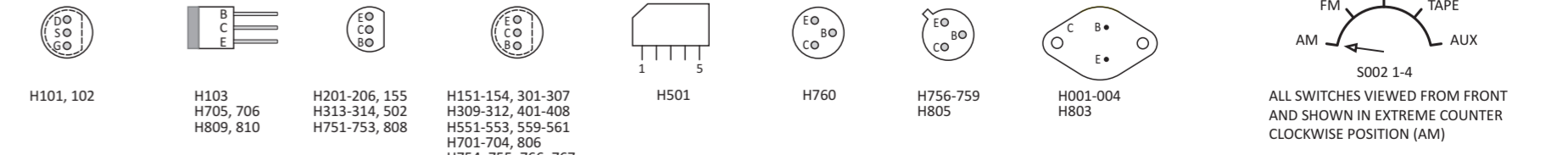


Applied to production Serial No. from 1001 to 3300.

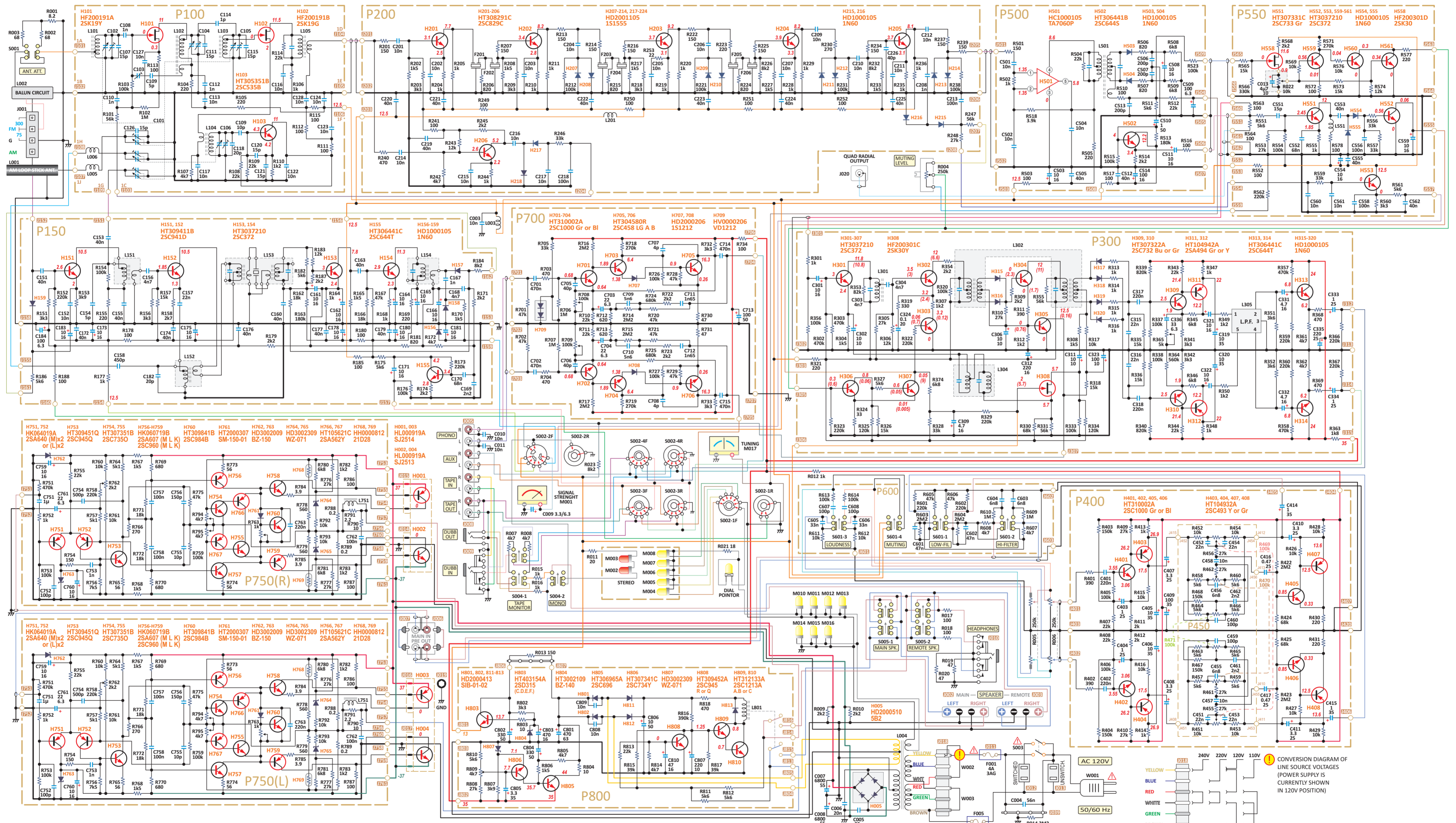
NOTE: Your use of this document is entirely at your own risk, for which I shall NOT BE LIABLE. Thus, that assumes or undertakes NO LIABILITY for any loss or damage suffered as a result of the use, misuse or reliance on the information and content on this document. All of the information provided in this document is provided "AS-IS" and with NO WARRANTIES.

NOTE: Capacitors values are in micro Farads (μ F) unless otherwise specified. Resistor values are in Ohms unless otherwise specified.

TRANSISTOR CONNECTION (BOTTOM VIEW)



This is a custom vector drawing based on Marantz original schematic, made by my own. The size is ISO A2 (594x420 mm) but may be scaled to any size for printing and/or viewing. You may download to a local hard disk extracts and/or print this document for personal (non commercial) and educational use only. Commercial copying, hiring, lending of this document or any part of this document is prohibited. You may not distribute or commercially exploit the content. Nor may you transmit it or store it in any other website or other form of electronic retrieval system. In all cases this notice must remain intact. Copyright © 2018. by Mrki, AK member (www.audiokarma.org)



Applied to production Serial No. from 3301 to 3600.

NOTE: Your use of this document is entirely at your own risk, for which I shall NOT BE LIABLE. Thus, that assumes or undertakes NO LIABILITY for any loss or damage suffered as a result of the use, misuse or reliance on the information and content on this document. All of the information provided in this document is provided "AS-IS" and with NO WARRANTIES.

NOTE: Capacitors values are in micro Farads (μF) unless otherwise specified. Resistor values are in Ohms unless otherwise specified.

TRANSISTOR CONNECTION (BOTTOM VIEW)

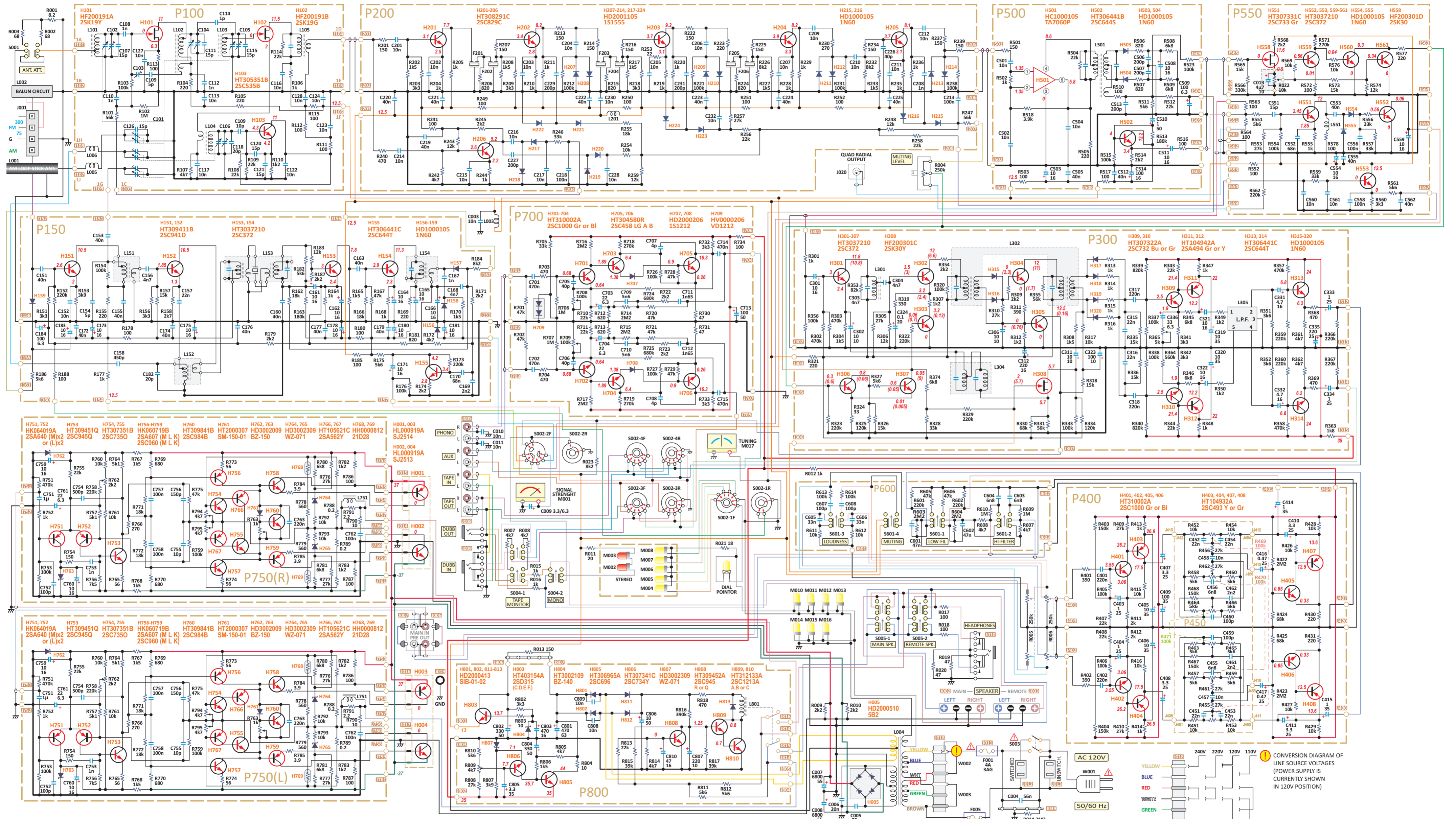
D DRAIN	H101, 102	B BASE	H103, 706	E EMITTER	H201-206, 155
S SOURCE	H103, 706	C COLLECTION	H313-314, 502		H751-753, 808
G GATE	H201-206, 155		H501		H151-154, 301-307
	H313-314, 502		H760		H309-312, 401-408
	H501		H756-759		H551-553, 559-561
	H760		H805		H701-704, 806
	H756-759				H754, 755, 766, 767
	H805				

CONVERSION DIAGRAM OF LINE SOURCE VOLTAGES (POWER SUPPLY IS CURRENTLY SHOWN IN 120V POSITION)

PHONO FM TAPE AUX

AM S002-1-4 S002-1-4 S002-1-4 S002-1-4

This is a custom vector drawing based on Marantz original schematic, made by my own. The size is ISO A2 (594x420 mm) but may be scaled to any size for printing and/or viewing. You may download to a local hard disk extracts and/or print this document for personal (non commercial) and educational use only. Commercial copying, hiring, lending of this document or any part of this document is prohibited. You may not distribute or commercially exploit the content. Nor may you transmit it or store it in any other website or other form of electronic retrieval system. In all cases this notice must remain intact. Copyright © 2018, by Mrki, AK member (www.audiokarma.org)



Applied to unknown production Serial Numbers.

NOTE: Your use of this document is entirely at your own risk, for which I shall NOT BE LIABLE. Thus, that assumes or undertakes NO LIABILITY for any loss or damage suffered as a result of the use, misuse or reliance on the information and content on this document. All of the information provided in this document is provided "AS-IS" and with NO WARRANTIES.

NOTE: Capacitors values are in micro Farads (μF) unless otherwise specified. Resistor values are in Ohms unless otherwise specified.

TRANSISTOR CONNECTION (BOTTOM VIEW)

- D DRAIN
- S SOURCE
- G GATE
- B BASE
- C COLLECTION
- E EMITTER

H101, 102
H103
H201-206, 155
H301-314, 502
H501
H750
H756-759
H805
H001-004
H803

PHONO
FM
TAPE
AUX
S002-1-4
ALL SWITCHES VIEWED FROM FRONT AND SHOWN IN EXTREME COUNTER CLOCKWISE POSITION (AM)