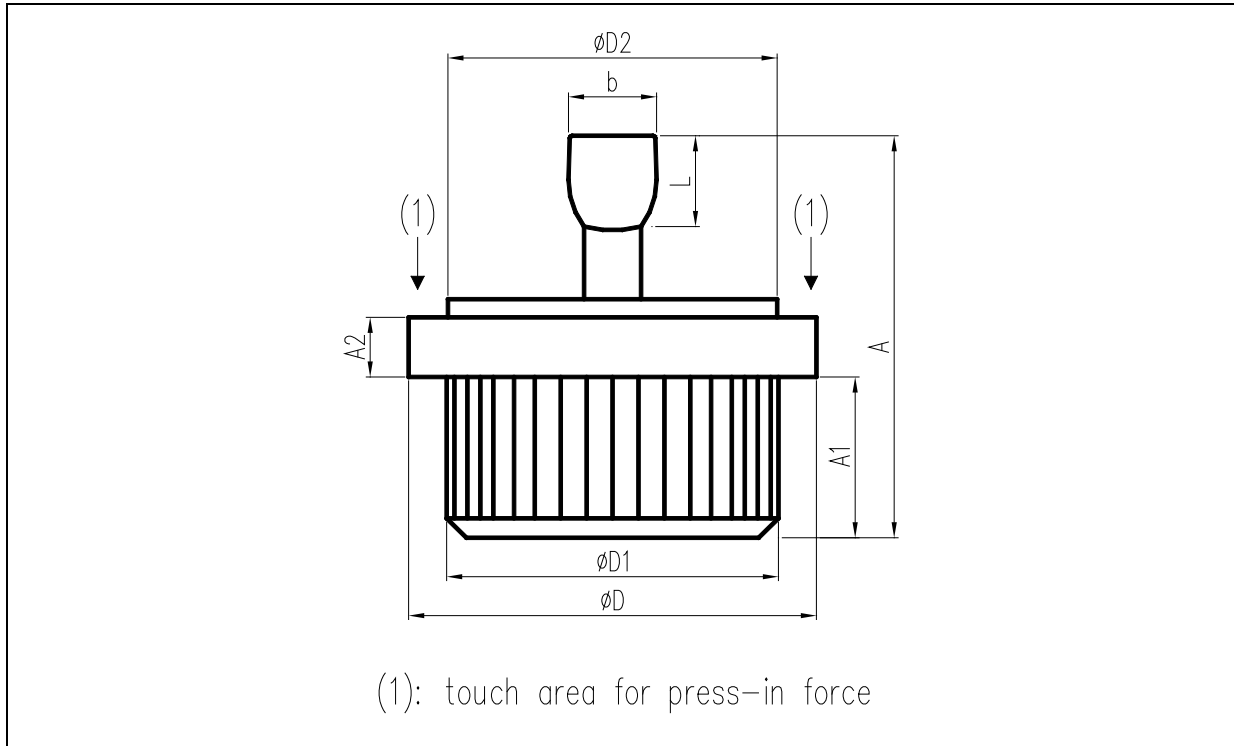


Hermetic Press-fit Package

Packaging details (standard)



Package dimensions

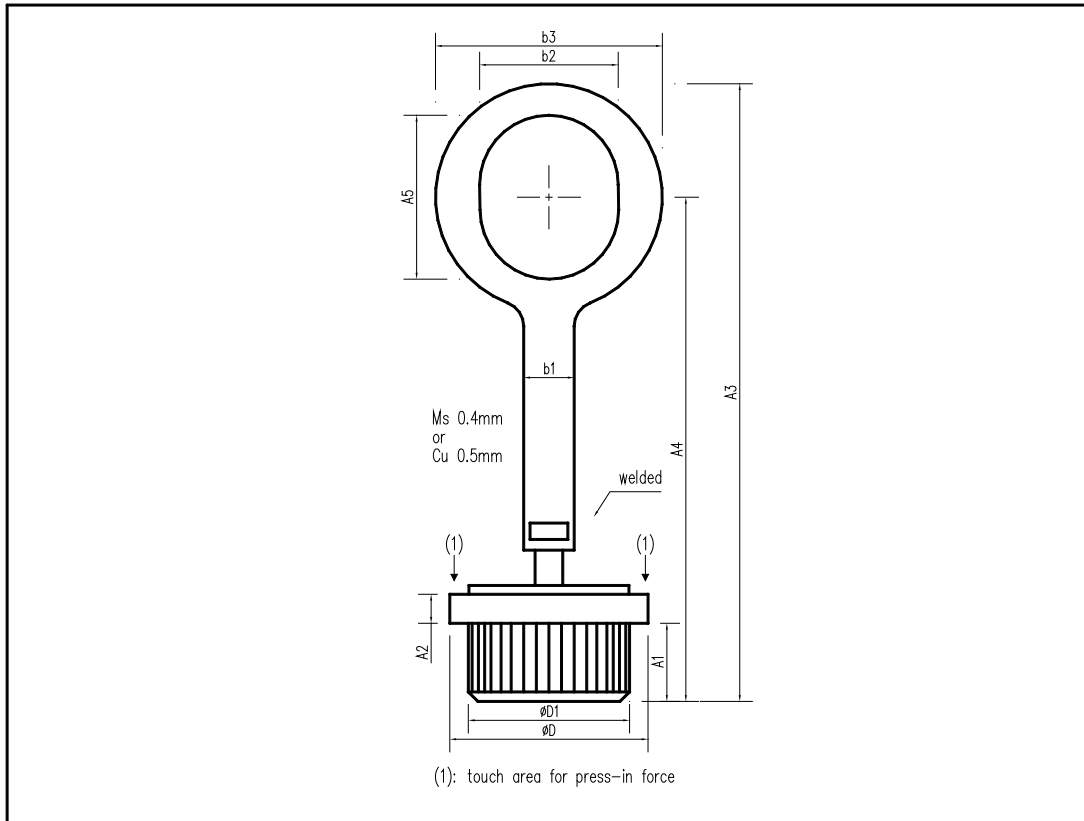
Dimensions in millimeters are control dimensions, dimensions in inches are approximate

DIM	Millimeters			Inches		
	MIN	TYP	MAX	MIN	TYP	MAX
A	15,00	15,50	16,00	0,591	0,610	0,630
A1	5,90	6,10	6,30	0,232	0,240	0,248
A2	2,10	2,30	2,50	0,083	0,091	0,098
b ⁽¹⁾	3,10	3,40	3,70	0,122	0,134	0,146
b ⁽²⁾	3,50	3,80	4,10	0,138	0,150	0,161
D	15,50	15,70	15,90	0,610	0,618	0,626
D1	12,75	12,80	12,85	0,502	0,504	0,506
D2	12,30	12,50	12,70	0,484	0,492	0,500
L	3,00	3,50	4,00	0,118	0,138	0,157

- (1) 25A and 35A diodes: BYY53, BYY54, BYY57, BYY58, BZV61, BZV62
 (2) 50A diodes: BYY57A, BYY58A, BZV63, BZV64

Hermetic Press-fit Package

Packaging details – Package modification no. 1



Package dimensions

Dimensions in millimeters are control dimensions, dimensions in inches are approximate

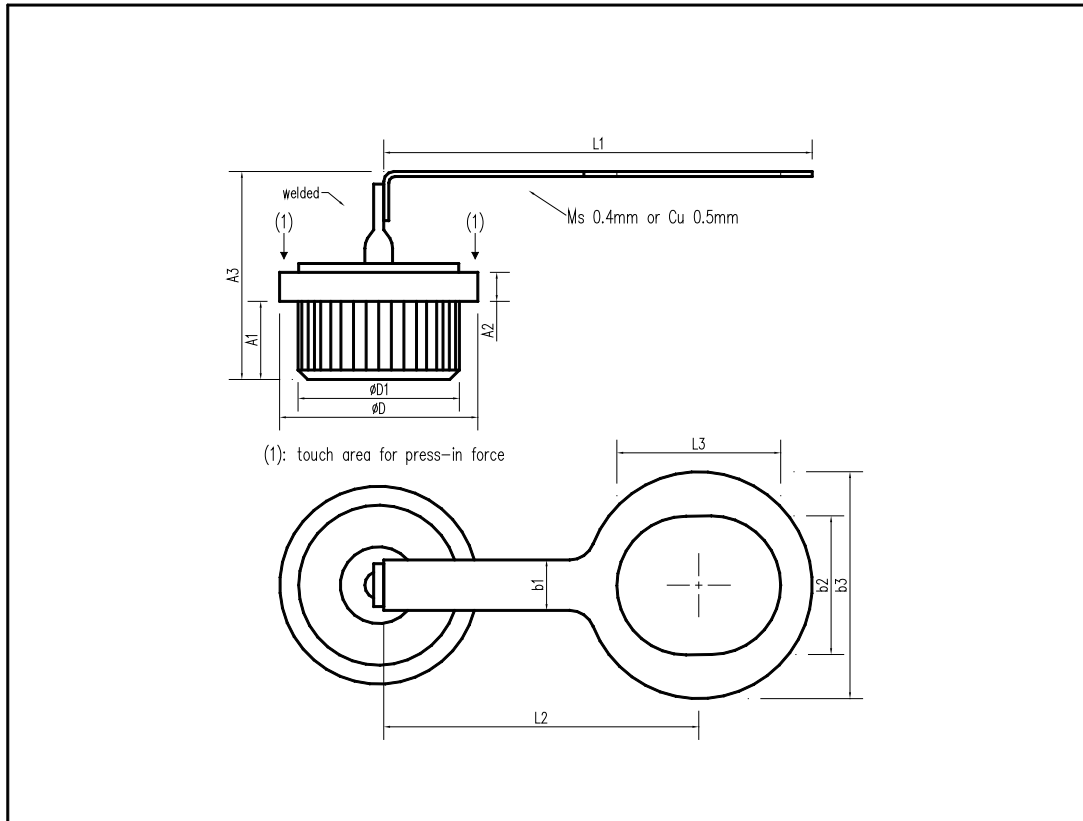
DIM	Millimeters			Inches		
	MIN	TYP	MAX	MIN	TYP	MAX
A1	5,90	6,10	6,30	0,232	0,240	0,248
A2	2,10	2,30	2,50	0,083	0,091	0,098
A3	48,00	49,00	50,00	1,890	1,929	1,969
A4	39,00	40,00	41,00	1,535	1,575	1,614
A5	12,80	13,00	13,20	0,504	0,512	0,520
b1	3,80	4,00	4,20	0,150	0,157	0,165
b2	10,80	11,00	11,20	0,425	0,433	0,441
b3	17,80	18,00	18,20	0,701	0,709	0,717
D	15,50	15,70	15,90	0,610	0,618	0,626
D1	12,75	12,80	12,85	0,502	0,504	0,506

Package modification is available for the following types:

BYY53, BYY54, BYY57, BYY58, BYY57A, BYY58A, BZV61, BZV62, BZV63, BZV64

Hermetic Press-fit Package

Packaging details – Package modification no. 2



Package dimensions

Dimensions in millimeters are control dimensions, dimensions in inches are approximate

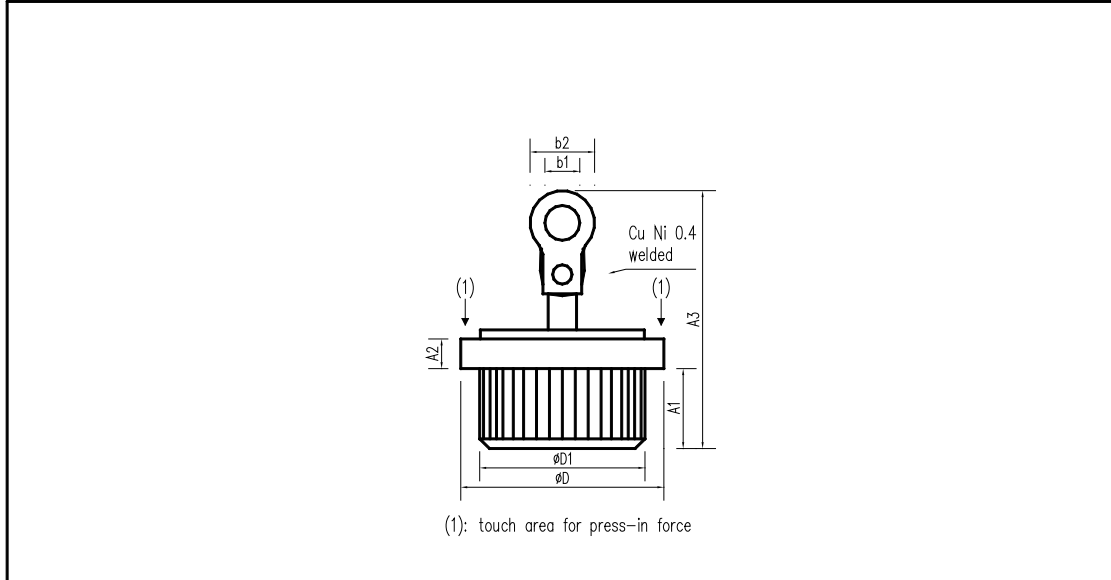
DIM	Millimeters			Inches		
	MIN	TYP	MAX	MIN	TYP	MAX
A1	5,90	6,10	6,30	0,232	0,240	0,248
A2	2,10	2,30	2,50	0,083	0,091	0,098
A3	16,00	16,50	17,00	0,630	0,650	0,669
b1	3,80	4,00	4,20	0,150	0,157	0,165
b2	10,80	11,00	11,20	0,425	0,433	0,441
b3	17,80	18,00	18,20	0,701	0,709	0,717
D	15,50	15,70	15,90	0,610	0,618	0,626
D1	12,75	12,80	12,85	0,501	0,503	0,505
L1	33,70	34,00	34,30	1,327	1,339	1,350
L2	24,70	25,00	25,30	0,972	0,984	0,996
L3	12,80	13,00	13,20	0,504	0,512	0,520

Package modification is available for the following types:

BYY53, BYY54, BYY57, BYY58, BYY57A, BYY58A, BZV61, BZV62, BZV63, BZV64

Hermetic Press-fit Package

Packaging details – Package modification no. 3



Package dimensions

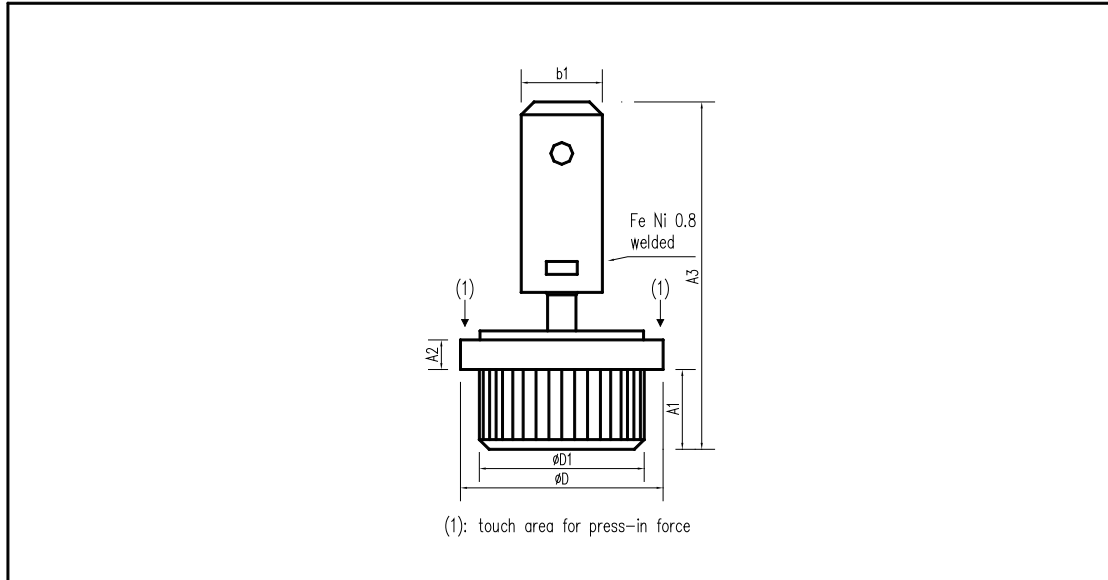
Dimensions in millimeters are control dimensions, dimensions in inches are approximate

DIM	Millimeters			Inches		
	MIN	TYP	MAX	MIN	TYP	MAX
A1	5,90	6,10	6,30	0,232	0,240	0,248
A2	2,10	2,30	2,50	0,083	0,091	0,098
A3	18,80	20,00	20,20	0,740	0,787	0,795
b1		2,70			0,106	
b2		5,00			0,197	
D	15,50	15,70	15,90	0,610	0,618	0,626
D1	12,75	12,80	12,85	0,502	0,504	0,506

Package modification is available for the following types:
BYY53, BYY54, BYY57, BYY58, BYY57A, BYY58A, BZV61, BZV62, BZV63, BZV64

Hermetic Press-fit Package

Packaging details – Package modification no. 4



Package dimensions

Dimensions in millimeters are control dimensions, dimensions in inches are approximate

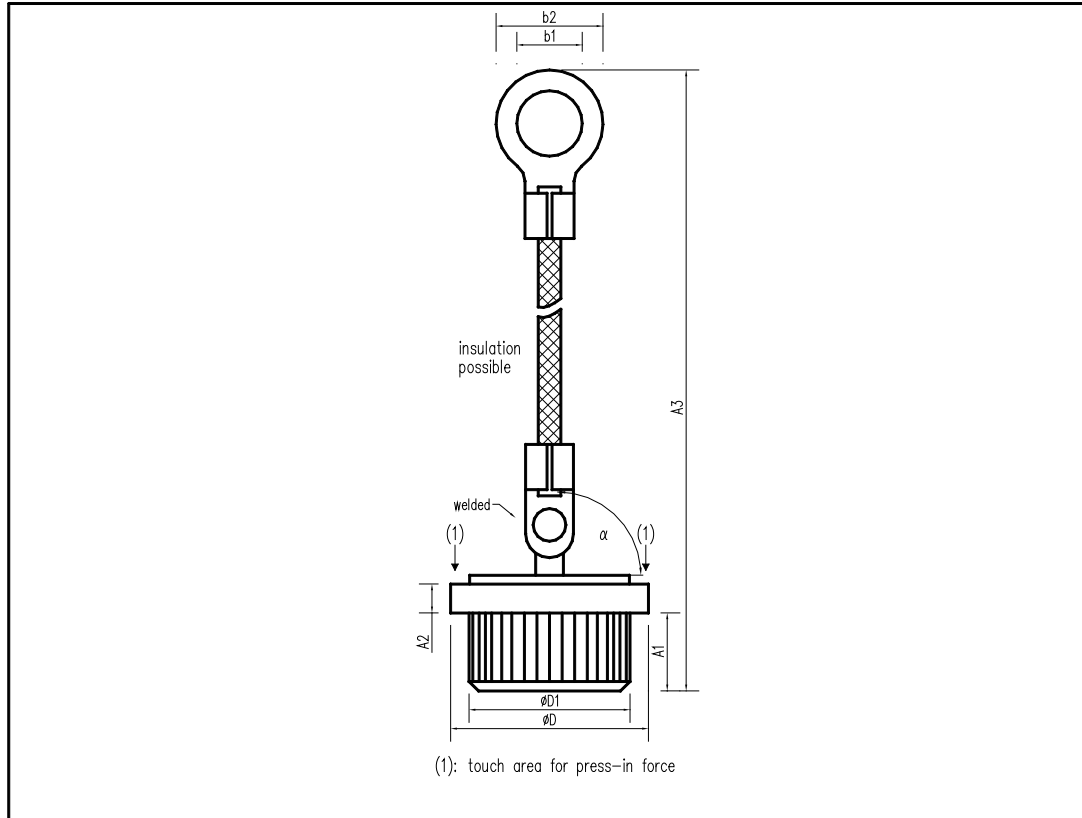
DIM	Millimeters			Inches		
	MIN	TYP	MAX	MIN	TYP	MAX
A1	5,90	6,10	6,30	0,232	0,240	0,248
A2	2,10	2,30	2,50	0,083	0,091	0,098
A3	26,00	27,00	28,00	1,024	1,063	1,102
b1		6,30			0,248	
D	15,50	15,70	15,90	0,610	0,618	0,626
D1	12,75	12,80	12,85	0,502	0,504	0,506

Package modification is available for the following types:

BYY53, BYY54, BYY57, BYY58, BYY57A, BYY58A, BZV61, BZV62, BZV63, BZV64

Hermetic Press-fit Package

Packaging details – Package modification no. 7



Package dimensions

Dimensions in millimeters are control dimensions, dimensions in inches are approximate

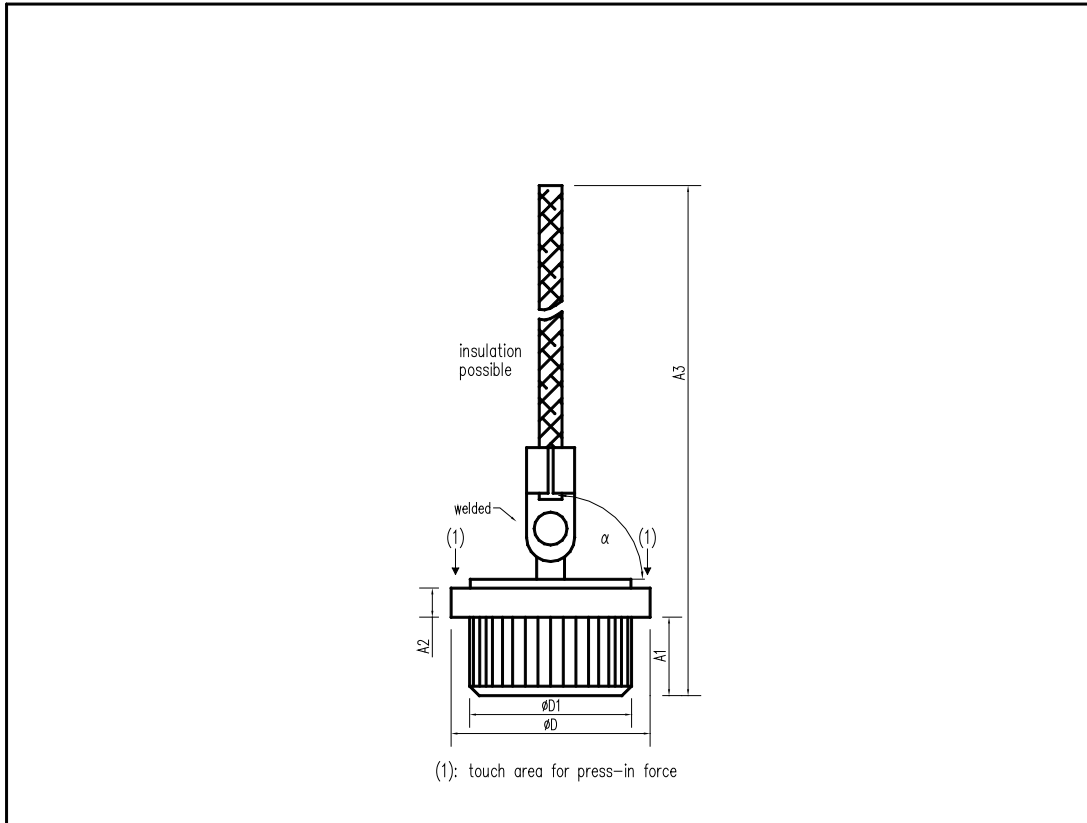
DIM	Millimeters			Inches		
	MIN	TYP	MAX	MIN	TYP	MAX
A1	5,90	6,10	6,30	0,232	0,240	0,248
A2	2,10	2,30	2,50	0,083	0,091	0,098
A3	customer specific			customer specific		
b1		5,20			0,205	
b2		8,50			0,335	
D	15,50	15,70	15,90	0,610	0,618	0,626
D1	12,75	12,80	12,85	0,502	0,504	0,506
α	customer specific			customer specific		

Package modification is available for the following types:

BYY53, BYY54, BYY57, BYY58, BYY57A, BYY58A, BZV61, BZV62, BZV63, BZV64

Hermetic Press-fit Package

Packaging details – Package modification no. 8



Package dimensions

Dimensions in millimeters are control dimensions, dimensions in inches are approximate

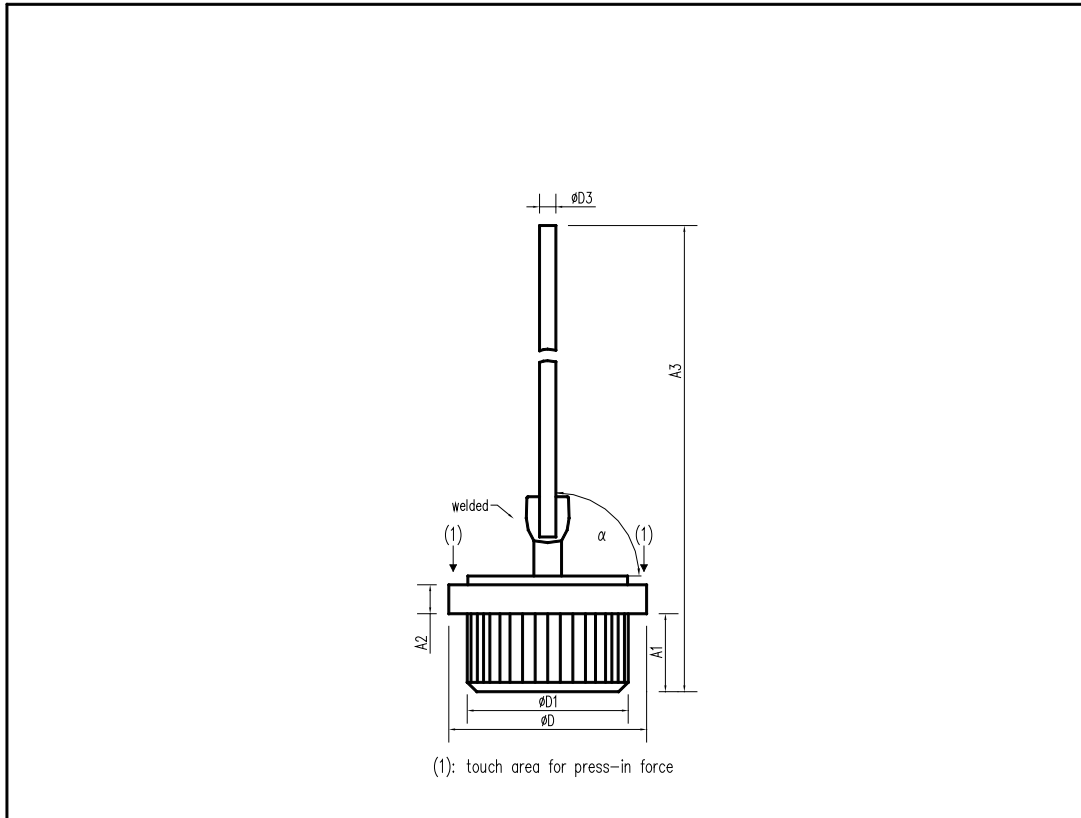
DIM	Millimeters			Inches		
	MIN	TYP	MAX	MIN	TYP	MAX
A1	5,90	6,10	6,30	0,232	0,240	0,248
A2	2,10	2,30	2,50	0,083	0,091	0,098
A3	customer specific			customer specific		
D	15,50	15,70	15,90	0,610	0,618	0,626
D1	12,75	12,80	12,85	0,502	0,504	0,506
α	customer specific			customer specific		

Package modification is available for the following types:

BYY53, BYY54, BYY57, BYY58, BYY57A, BYY58A, BZV61, BZV62, BZV63, BZV64

Hermetic Press-fit Package

Packaging details – Package modification no. 9



Package dimensions

Dimensions in millimeters are control dimensions, dimensions in inches are approximate

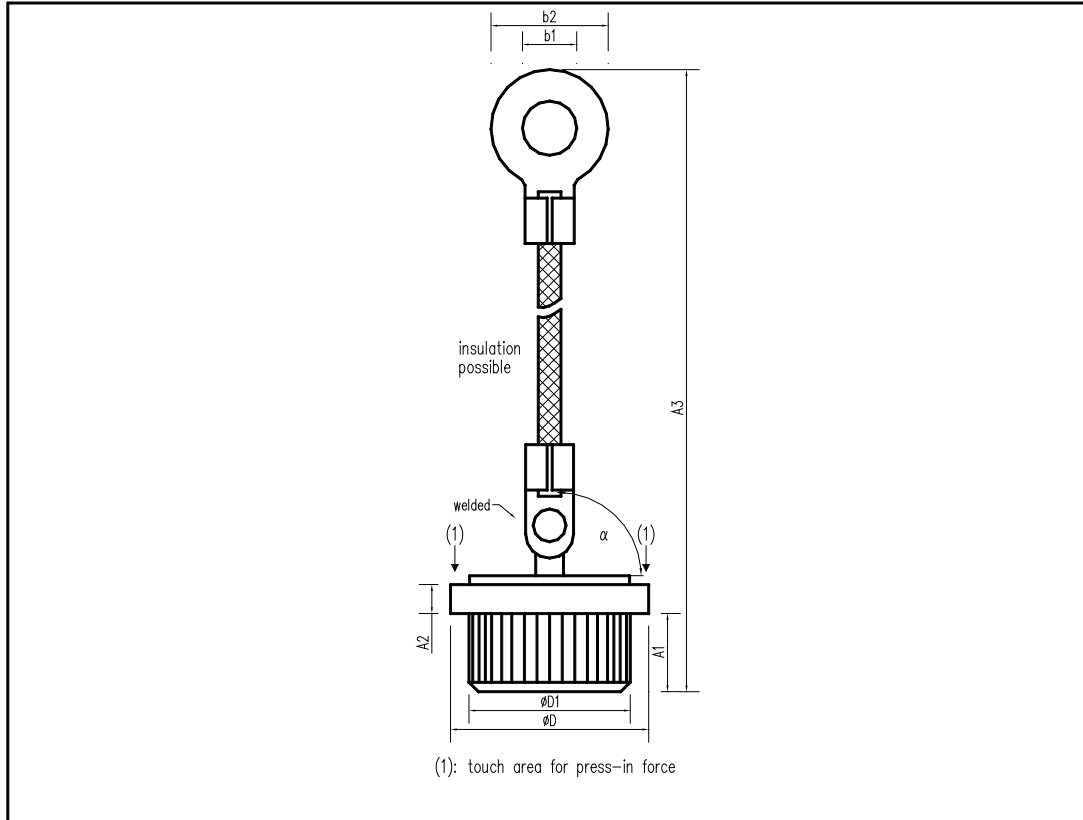
DIM	Millimeters			Inches		
	MIN	TYP	MAX	MIN	TYP	MAX
A1	5,90	6,10	6,30	0,232	0,240	0,248
A2	2,10	2,30	2,50	0,083	0,091	0,098
A3	customer specific			customer specific		
D	15,50	15,70	15,90	0,610	0,618	0,626
D1	12,75	12,80	12,85	0,502	0,504	0,506
D3		1,30			0,051	
α	customer specific			customer specific		

Package modification is available for the following types:

BYY53, BYY54, BYY57, BYY58, BYY57A, BYY58A, BZV61, BZV62, BZV63, BZV64

Hermetic Press-fit Package

Packaging details – Package modification no. 10



Package dimensions

Dimensions in millimeters are control dimensions, dimensions in inches are approximate

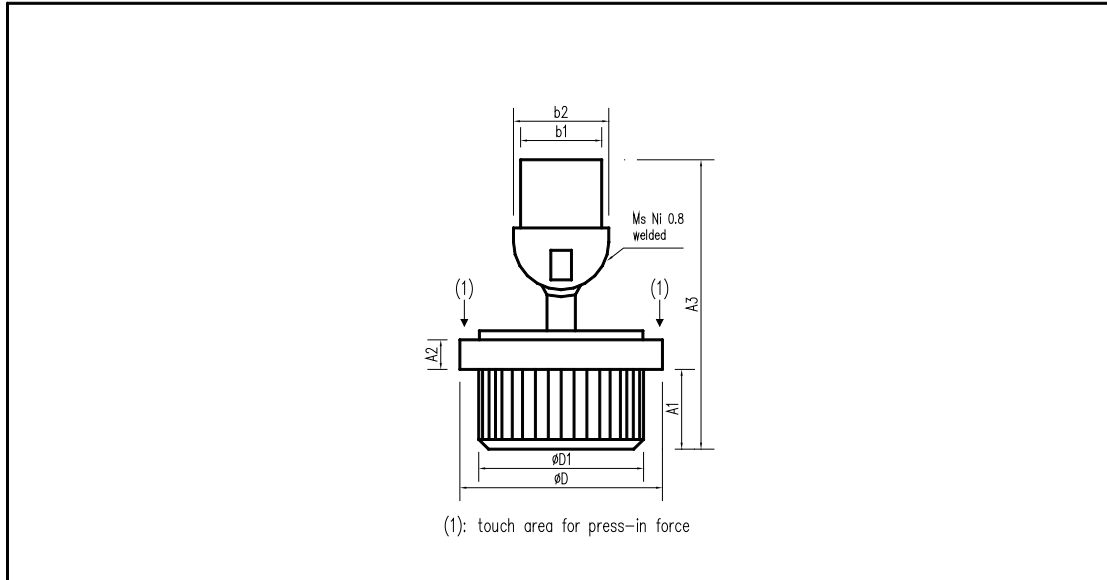
DIM	Millimeters			Inches		
	MIN	TYP	MAX	MIN	TYP	MAX
A1	5,90	6,10	6,30	0,232	0,240	0,248
A2	2,10	2,30	2,50	0,083	0,091	0,098
A3	customer specific			customer specific		
b1		4,30			0,169	
b2		9,30			0,366	
D	15,50	15,70	15,90	0,610	0,618	0,626
D1	12,75	12,80	12,85	0,502	0,504	0,506
α	customer specific			customer specific		

Package modification is available for the following types:

BYY53, BYY54, BYY57, BYY58, BYY57A, BYY58A, BZV61, BZV62, BZV63, BZV64

Hermetic Press-fit Package

Packaging details – Package modification no. 11



Package dimensions

Dimensions in millimeters are control dimensions, dimensions in inches are approximate

DIM	Millimeters			Inches		
	MIN	TYP	MAX	MIN	TYP	MAX
A1	5,90	6,10	6,30	0,232	0,240	0,248
A2	2,10	2,30	2,50	0,083	0,091	0,098
A3	21,50	22,50	23,50	0,846	0,886	0,925
b1		6,30			0,248	
b2		7,40			0,291	
D	15,50	15,70	15,90	0,610	0,618	0,626
D1	12,75	12,80	12,85	0,502	0,504	0,506

Package modification is available for the following types:

BYY53, BYY54, BYY57, BYY58, BYY57A, BYY58A, BZV61, BZV62, BZV63, BZV64

Hermetic Press-fit Package

Handling notes for silicon rectifier/Zener diodes in hermetic Press-fit Package

Introduction

This diodes are designed to rectify alternating current in medium power range.

The robust and compact package allows to use these diodes in applications where mechanical stability, easy assembly and high reliability are required.

The press-fit package can be used in standard heat sinks or customer specific cooling plates. The press-fit-connection between heat sink and diode provides the main thermal and electrical connection to the diode package. The other glass isolated terminal can be connected by soldering or welding.

The size of the heat sink or cooling plate should be chosen accordingly the power dissipation of the diode.

HANDLING NOTES

diameter of press-in hole in heat sink or cooling plate (material: aluminium or Al-alloy)	12,66±0,025mm
material thickness in press-in hole	>3mm
press-in force	<8800N
touch area for press-in force	mark (1), see drawing in datasheet
design of press-in hole in heat sink	bevel of 0.3*45° press-in hole should be open or deeper than value A1 – see drawing in datasheet
connection mode of single terminal	soldering/welding
mechanical power ratings of single terminal	tension load: 75N torsion load: 0,2Nm bend load: 0,2Nm

Rectifier Stacks:

The hermetic diodes can be used in rectifier stacks for natural or forced air cooling and in oil cooled systems.

Hermetic Press-fit Package

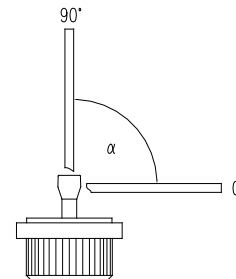
Ordering information:

For basic diode (standard package):

- type
- repetitive peak reverse voltage

For basic diode type with modification of the Press-Fit package:

- type
- repetitive peak reverse voltage
- drawing number for the Press-Fit package modification
- if necessary specify the length accordingly the drawing
- if necessary specify the angle of flexible cable/wire



definition of angle

Ordering sample

Device	Comments
BYY58-200	BYY58 with $V_{RRM} = 200V$; standard package
BYY57-400; No.2	BYY57 with $V_{RRM} = 400V$ with bent connector flag
BYY57-200; No.6	BYY57 with $V_{RRM} = 200V$ with M8 screw base and soldering eye
BYY57-400; No.8; A3=35mm; $\alpha=90^\circ$	BYY57 with $V_{RRM} = 400V$ with flexible cable; length=35mm; cable upright
BYY58-700; No.9; A3=40mm; $\alpha=0^\circ$	BYY57 with $V_{RRM} = 700V$ with wire; length=40mm; wire horizontal

Package quantity

Press-fit package/modification	Quantity per box
standard package	500
No.1; No.2	250
No.3	500
No.4; No.11	400
No.5; No.6	200
No.7 ... No.10	accordingly ordered length of cable/wire

Europe	Americas	Asia Pacific	Corporate Headquarters
Zetex GmbH Streitfeldstraße 19 D-81673 München Germany Telephone: (49) 89 45 49 49 0 Fax: (49) 89 45 49 49 49 europe.sales@zetex.com	Zetex Inc 700 Veterans Memorial Highway Hauppauge, NY 11788 USA Telephone: (1) 631 360 2222 Fax: (1) 631 360 8222 usa.sales@zetex.com	Zetex (Asia Ltd) 3701-04 Metroplaza Tower 1 Hing Fong Road, Kwai Fong Hong Kong Telephone: (852) 26100 611 Fax: (852) 24250 494 asia.sales@zetex.com	Zetex Semiconductors plc Zetex Technology Park, Chadderton Oldham, OL9 9LL United Kingdom Telephone (44) 161 622 4444 Fax: (44) 161 622 4446 hq@zetex.com

For international sales offices visit www.zetex.com/offices

Zetex products are distributed worldwide. For details, see www.zetex.com/salesnetwork

This publication is issued to provide outline information only which (unless agreed by the company in writing) may not be used, applied or reproduced for any purpose or form part of any order or contact or be regarded as a representation relating to the products or services concerned. The company reserves the right to alter without notice the specification, design, price or conditions of supply of any product or service.