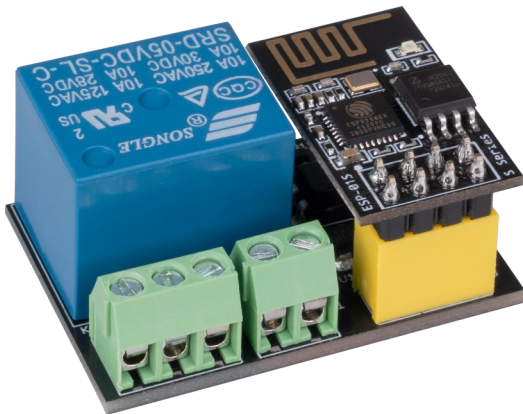
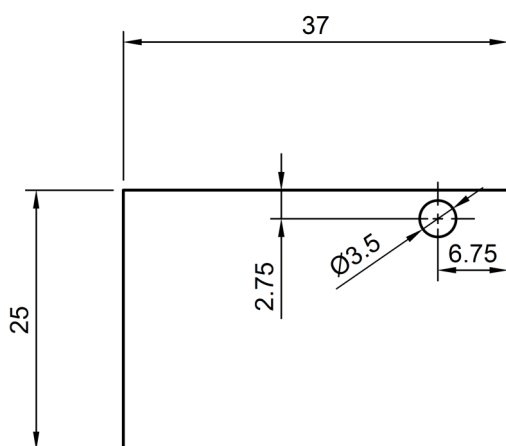


# ESP-01S RELAY MODULE

Remote-controllable relay module



You can freely program this relay module with the help of the attached ESP-01S module and control it remotely via WiFi. This way, for example, smarthome applications such as a light switches can be realised.



## MAIN FEATURES

Supply voltage	DC 5 V - 12 V
Operating voltage	3,3 V
Load	10 A / 250 V AC 10 A / 30 V DC

## FURTHER SPECIFICATIONS

Special features	Relay controllable via WiFi, Reset pin integrated
ESP Relay Pin	GPIO 0
Wireless Protocol	802.11 b/g/n
Wireless frequency range	2,4 GHz - 2,5 GHz (2400MHz - 2483,5MHz)
Dimensions	37 x 25 x 17 mm
Included	Relay module, ESP-01S

## FURTHER DETAILS

Article No.	SBC-ESP01-RM
EAN:	4250236821979
Customs Tariff No.	8473302000