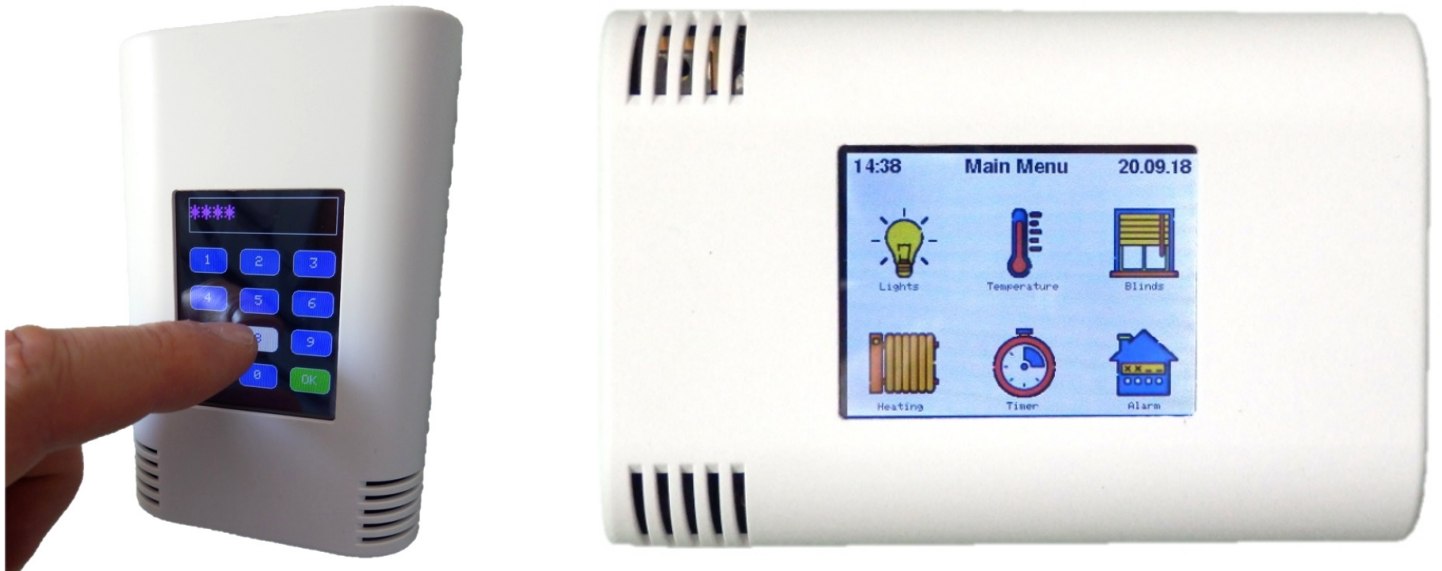


# ArduiTouch MOD

## Top wall enclosure with touchscreen for ESP32 & ESP8266

---



### Features enclosure and pcb:

- top wall mounting enclosure
- 2.4 inch (6,09 cm) or 2.8 inch (7,10cm) tft screen with 320 x 240 pixel resolution
- SPI display controller ILI9341
- Resistive touch with SPI touch controller XPT2046
- Integrated 5V/1.4A voltage regulator (Vin 9...35V DC)
- Integrated prototyping area
- 6-pin removable terminal block for prototyping area & power supply
- Marked and connected GPIO & power pins beside the proto area
- Integrated piezo beeper
- Plug-in positions for AZ-Delivery D1 Mini (ESP8266) and ESP32 DEV KIT C
- Vented cover to allow through air flow
- Pre assembled and tested device (**no** soldering required)

# ArduiTouch MOD

## Top wall enclosure with touchscreen for ESP32 & ESP8266

---

### Enclosure:

- Outside dimensions: 120mm x 80mm x 35mm (W x H x D)
- Breadboard area: 43mm x 39mm (W x H)
- Material: ABS
- Finish top shell: white
- Finish bottom shell: white

### Features voltage regulator:

- Input voltage: 15 – 30V DC
- Output voltage: 5V / 1.4A DC

### Applications :

- Home automation
- Door access and door control
- HVAC applications
- Internet of Things (IoT)
- Intelligent wireless light switch
- Monitoring of sensor data
- Metering
- Intruder alarm systems

# AZ-Touch MOD

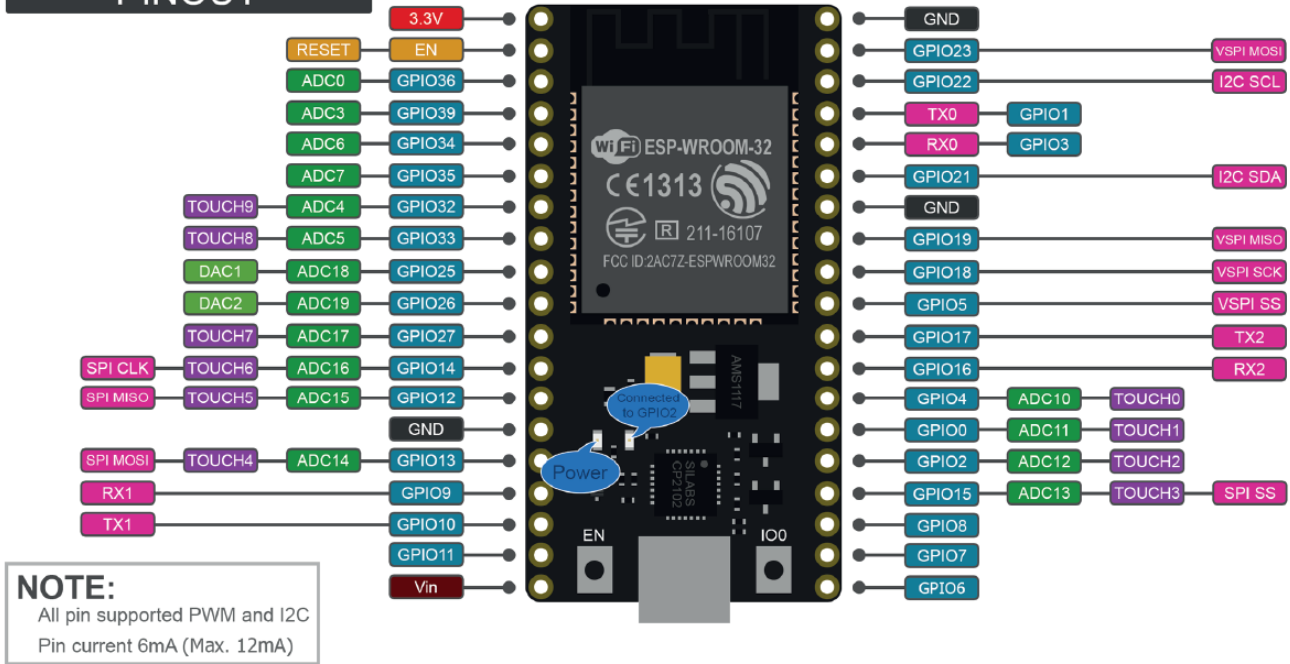
Top wall enclosure with touchscreen for ESP32 & ESP8266

Compatibility :

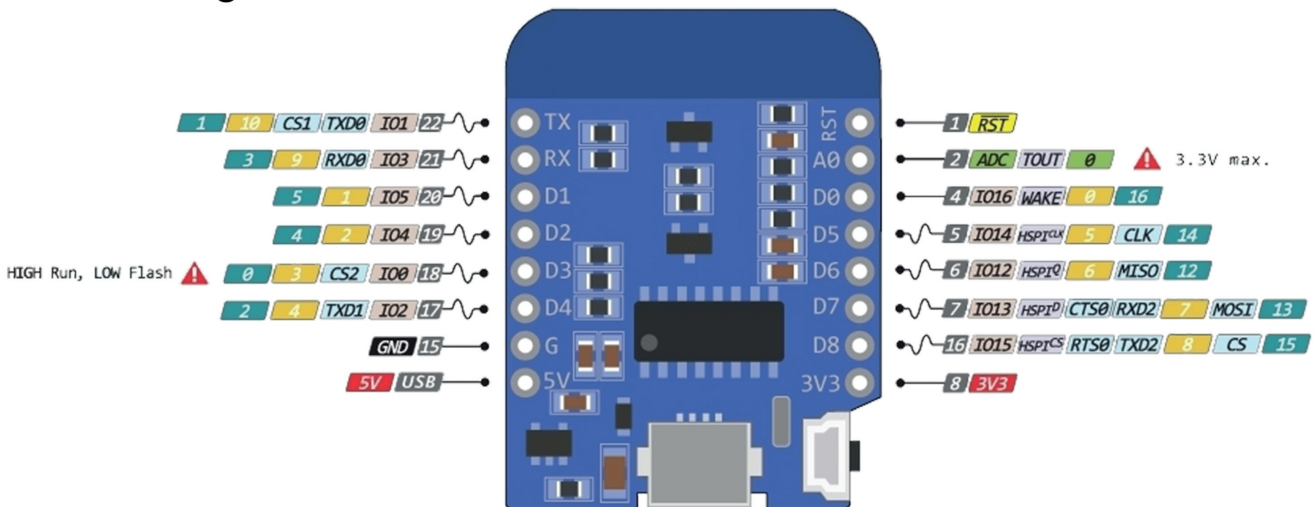
NodeMCU-32S (ESP32 DEV KIT C)



## PINOUT



## D1 Mini Pinout Diagram



# ArduiTouch MOD

Top wall enclosure with touchscreen for ESP32 & ESP8266

---

Part number table:

Part-No.	Version	Features
ARTHEE	2.4 inch	<ul style="list-style-type: none"><li>- milled enclosure</li><li>- pre-assembled and tested pcb</li><li>- 2.4 inch (6,09 cm) touchscreen</li></ul>
ARTHEL	2.8 inch	<ul style="list-style-type: none"><li>- milled enclosure</li><li>- pre-assembled and tested pcb</li><li>- 2.8 inch (7,10 cm) touchscreen</li></ul>



**ARTHEE**  
(2.4 inch display)



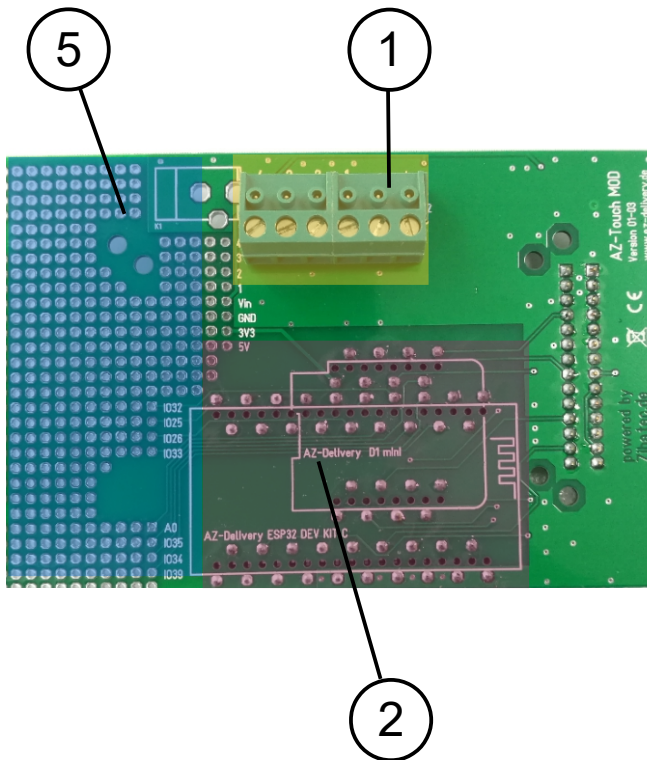
**ARTHEL**  
(2.8 inch display)

# ArduiTouch MOD

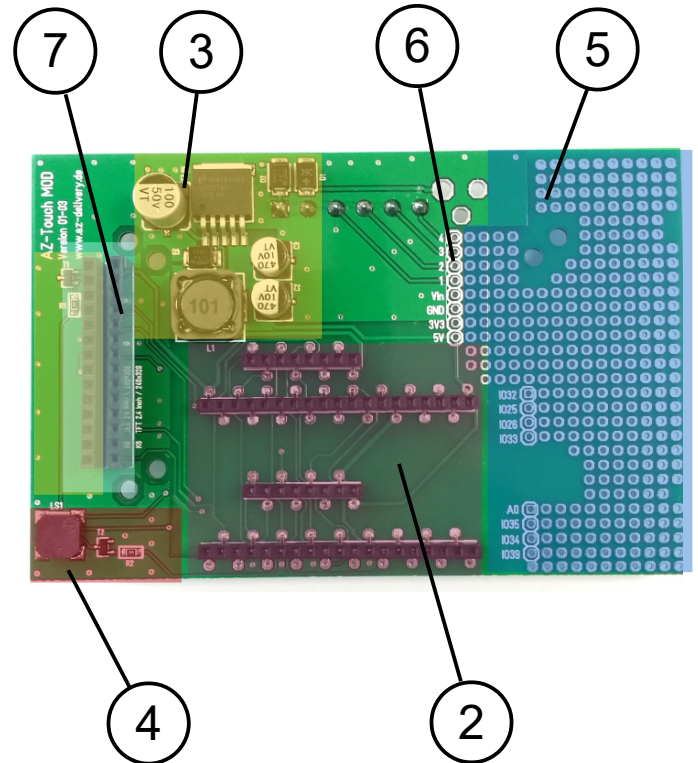
Top wall enclosure with touchscreen for ESP32 & ESP8266

Features main board:

Back side



Front side



- ① Terminal for power supply & proto board
- ② Plug-in slots for ESP modules
- ③ Voltage regulator (9..35V  $V_{in}$  / 5V  $V_{out}$ )
- ④ Piezo beeper
- ⑤ Breadboard / proto board area
- ⑥ GPIO pins for proto board
- ⑦ Headers for touch screen