

Custom Sound/Peripherals Chip

Paula

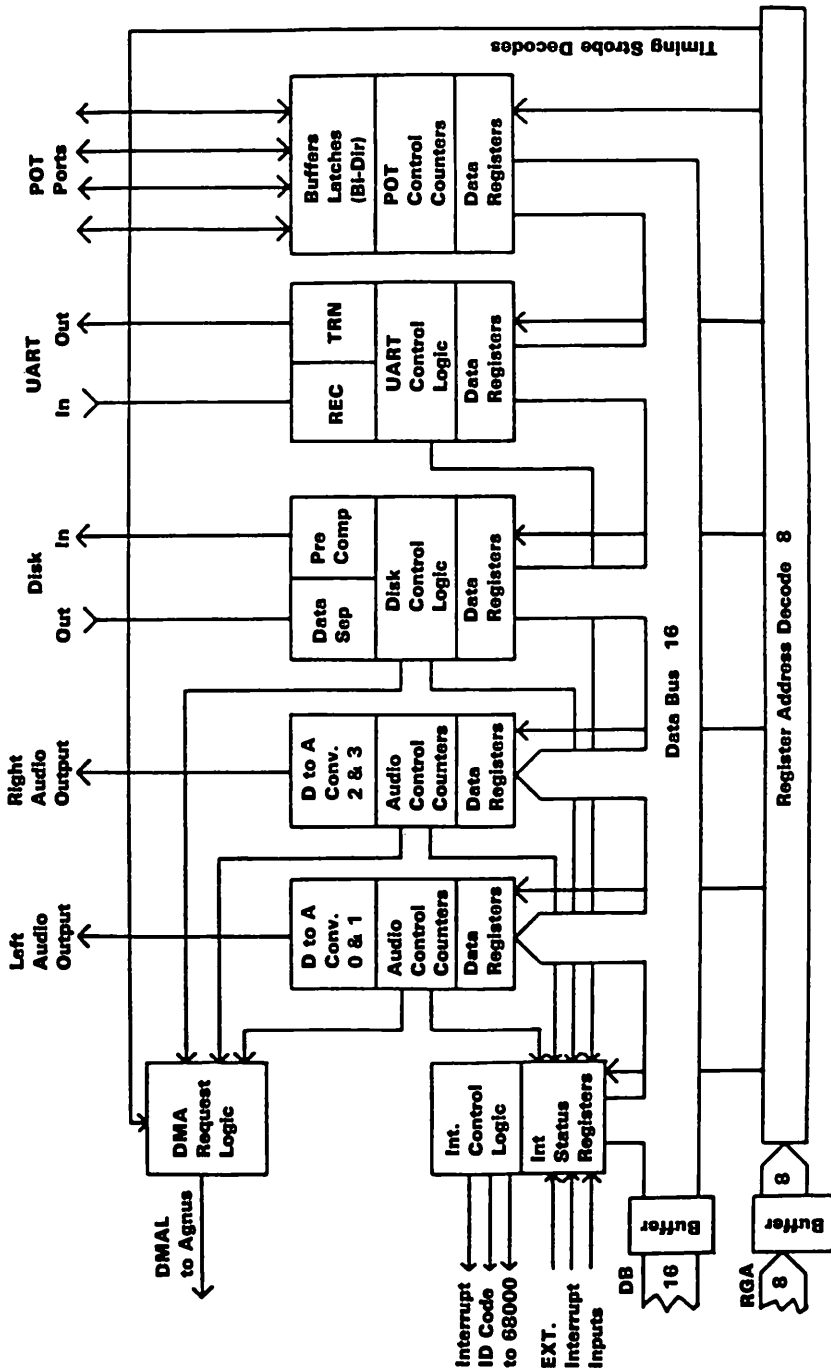
Features:

- Four voices of sound output configured as two stereo channels
- Nine octaves
- Complex waveforms
- Uses both amplitude and frequency modulation
- I/O controls for disk data and controller ports
- Microdisk controller
- Interrupt control system

D8-	1	48	D9
D7-	2	47	D10
D6-	3	46	D11
D5-	4	45	D12
D4-	5	44	D13
D3-	6	43	D14
D2-	7	42	D15
VSS-	8	41	RXD
D1-	9	40	TXD
D0-	10	39	DKWB
RES-	11	38	OKWD
DMAL	12	37	OKRD
/PT0	13	36	P1Y
/PT1	14	35	P1X
/PT2	15	34	ANAGND
/INT2	16	33	PDY
/INT3	17	32	POX
/INT6	18	31	AUDA
RGA8-	19	30	AUDB
RGA7-	20	29	CCKQ
RGA6-	21	28	CCK
RGA5-	22	27	VCC
RGA4-	23	26	RGA1
RGA3-	24	25	RGA2

Pin	Name	Description	Type
1-7	D2-D8	Data Bus Lines 2-8	I/O
8	Vss	Ground	I
9,10	D0,D1	Data Bus Lines 0,1	I/O
11	/RES	System Reset	I
12	DMAL	DMA Request Line	O
13-15	/IPL0-2	Interrupt Line 0-2	O
16-18	/INT2,3,6	Interrupt Level 2,3,6	I
19-26	RGA1-8	Register Address 1-8	I
27	Vcc	+ 5 VDC	I
28	CCK	Color Clock	I
29	CCKQ	Color Clock Delay	I

30	AUDB	Right Audio	O
31	AUDA	Left Audio	O
32	POT0X	Pot 0X	I/O
33	POT0Y	Pot 0Y	I/O
34	VSSANA	Analog Ground	I
35	POT1X	Pot 1X	I/O
36	POT1Y	Pot 1Y	I/O
37	/DKRD	Disk Read Data	I
38	/DKWD	Disk Write Data	O
39	DKWE	Disk Write Enable	O
40	TXD	Serial Transmit Data	O
41	RXD	Serial Receive Data	I
42-48	D9-15	Data Bus Lines 9-15	I/O



Paula Block Diagram