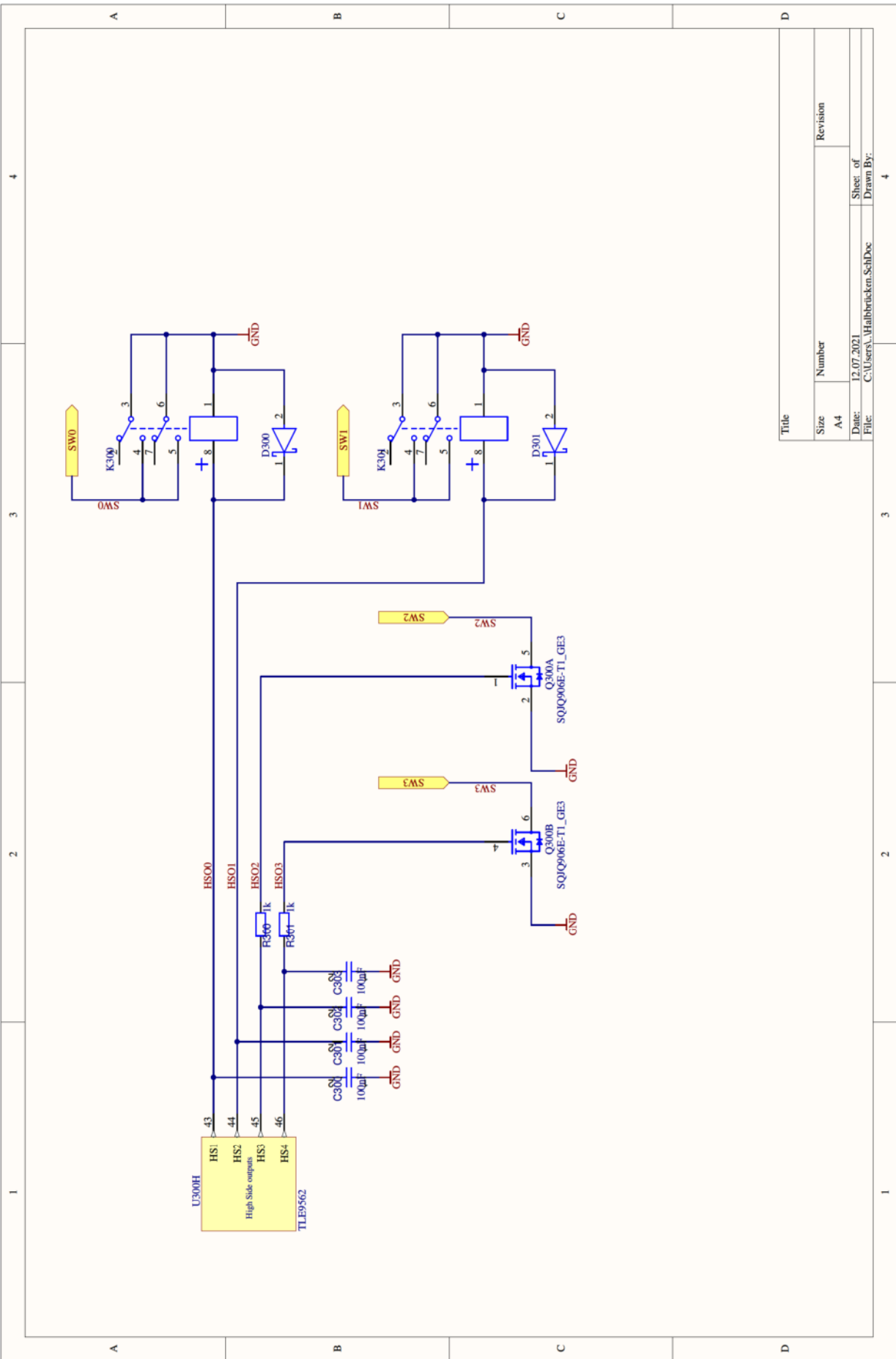


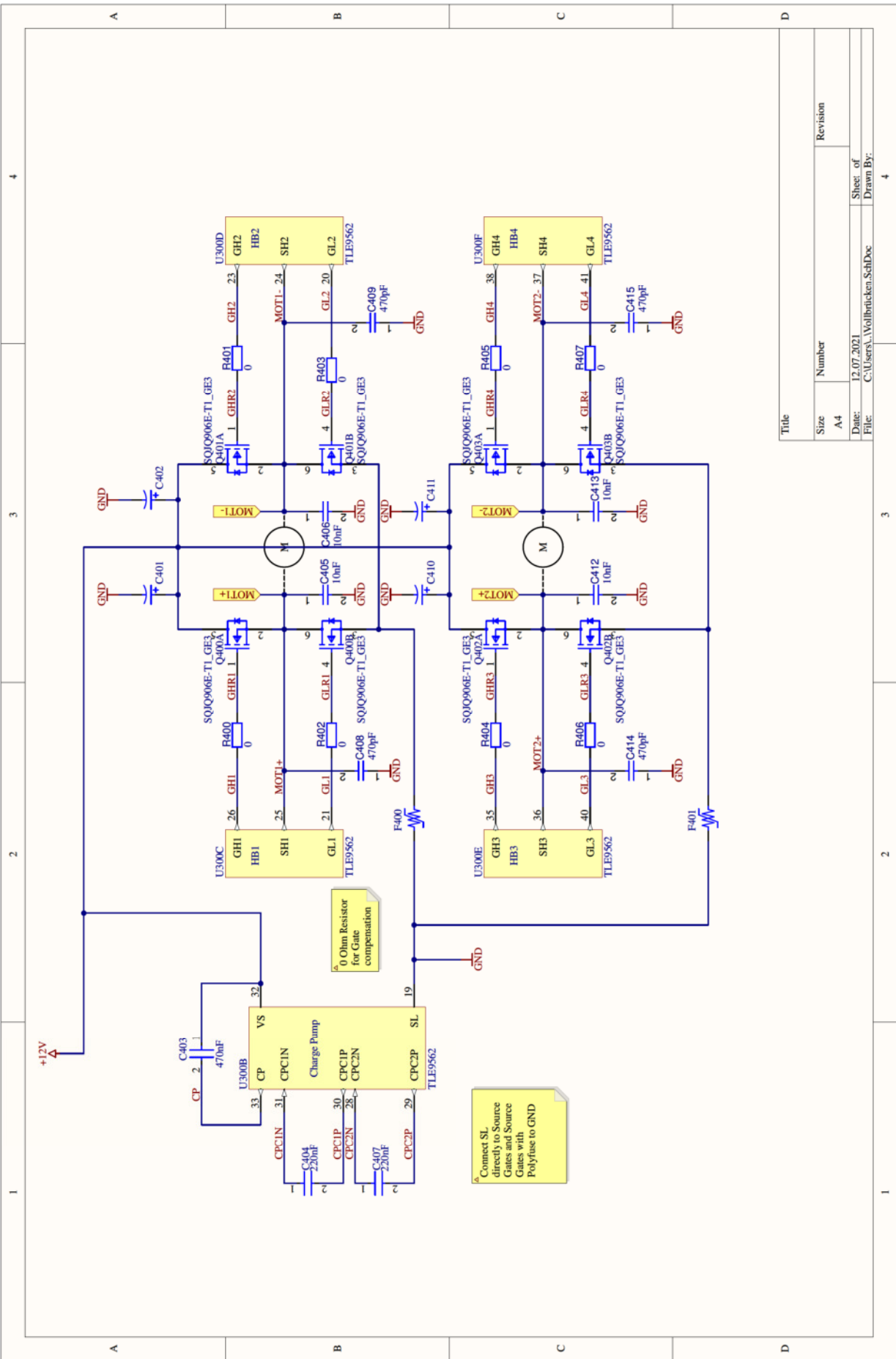
Title	
Size	Number
A4	Revision
Date:	Sheet of
File:	Drawn By:

12.07.2021
C:\Users\... \SBC_SchDxc

4



Title	
Size	Number
A4	Revision
Date:	Sheet of
File:	Drawn By:



Title

Size Number Revision

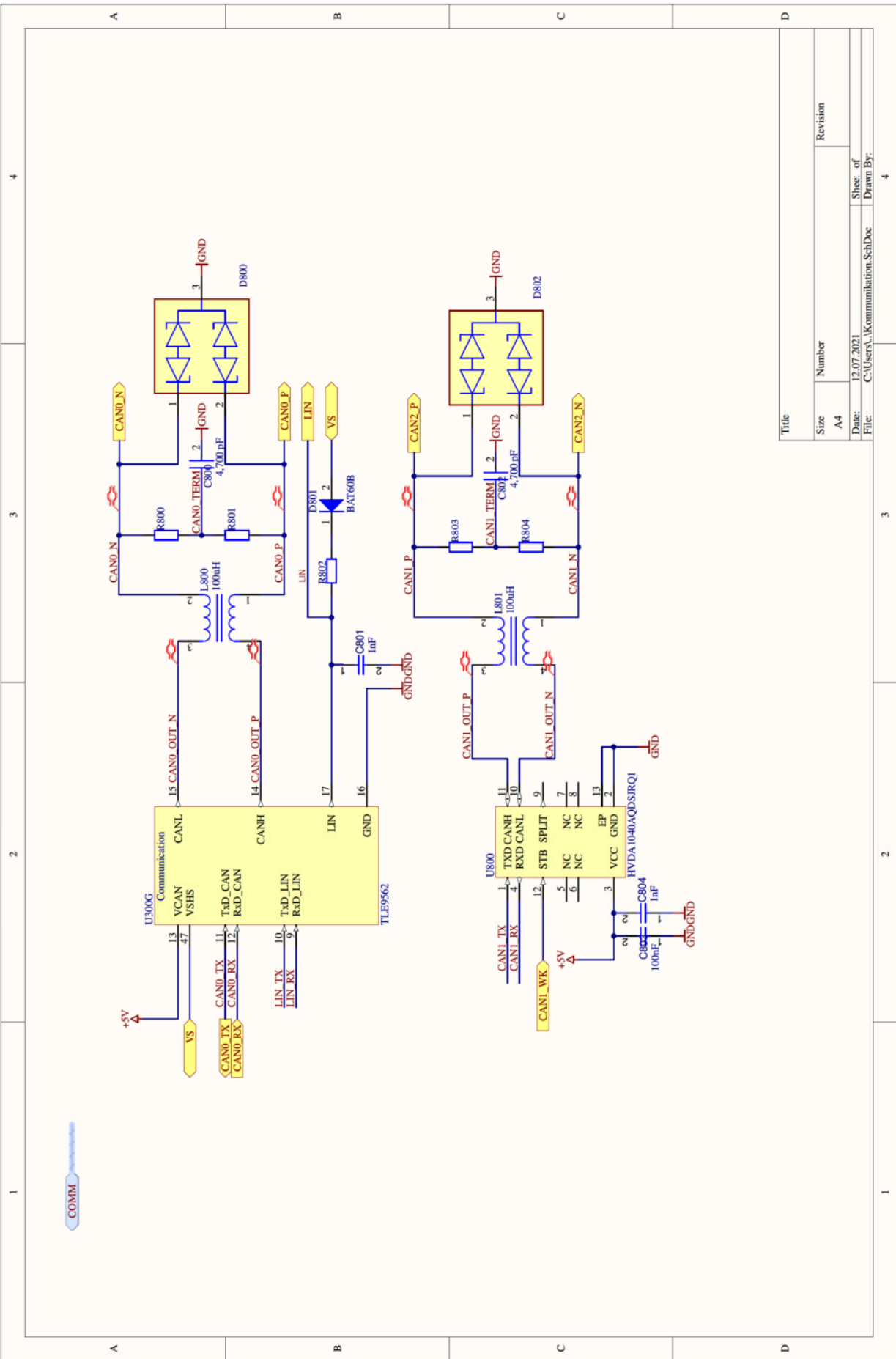
A4

Date: 12.07.2021

File: C:\Users\... \Wollbrücken\SchDoe

Sheet of 4

Drawn By:



Title	
Size	Number
A4	Revision
Date:	Sheet of
File:	Drawn By:

COMM