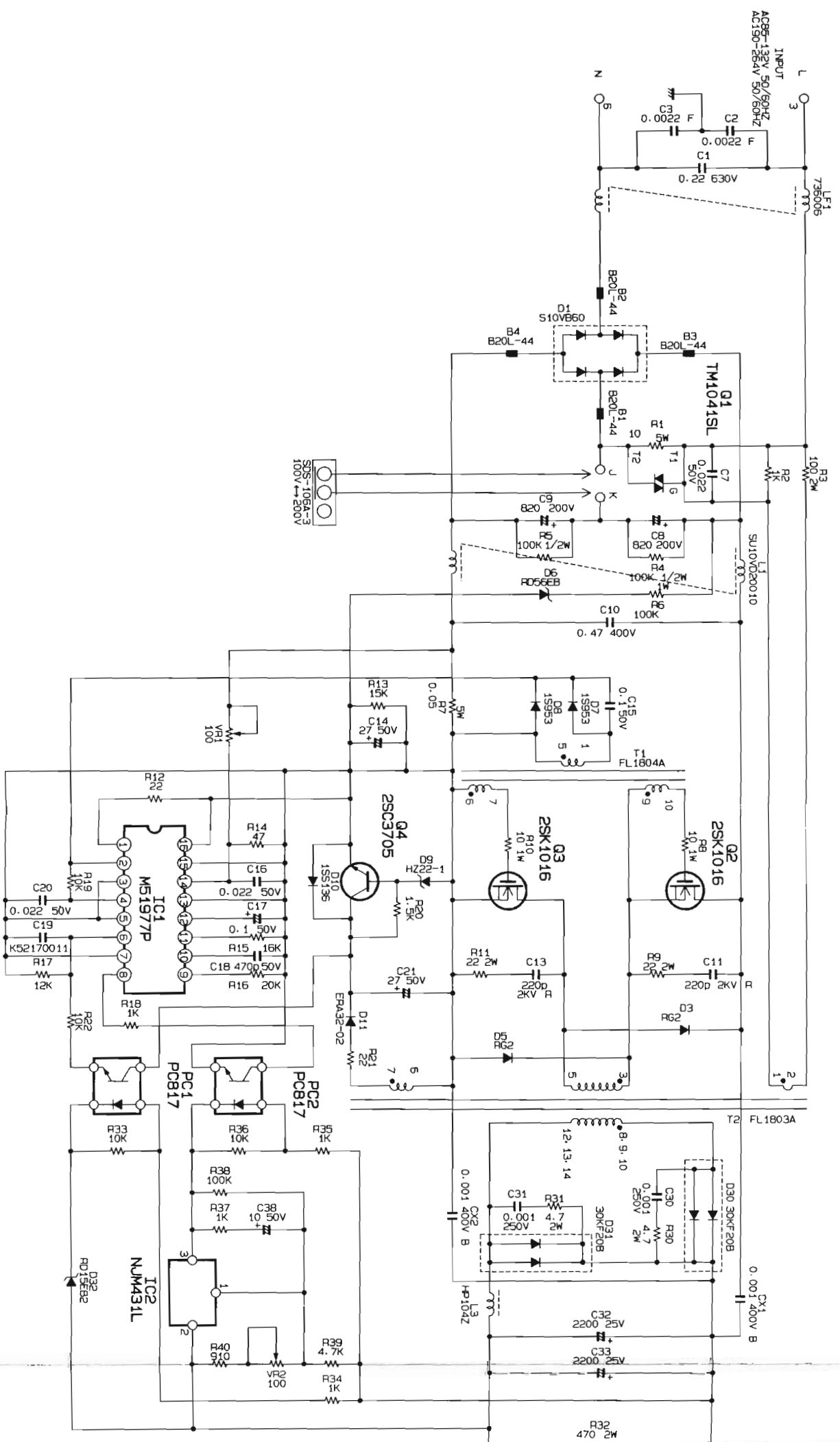
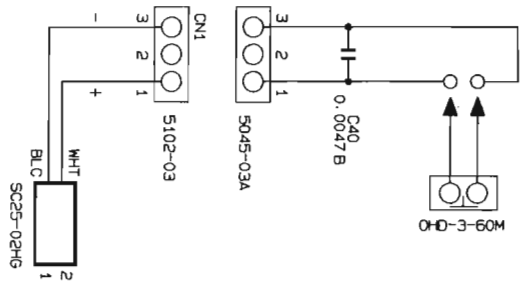
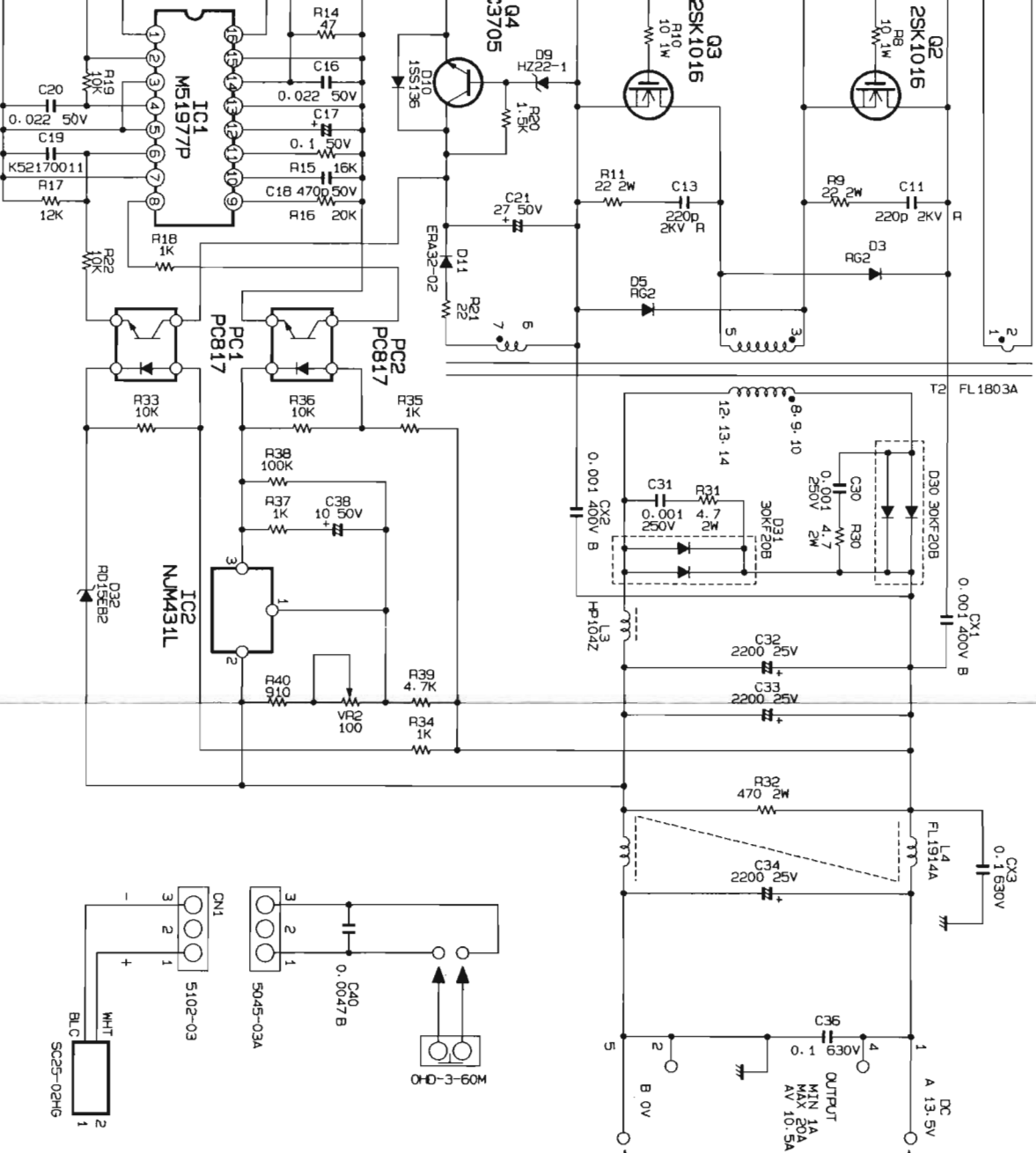
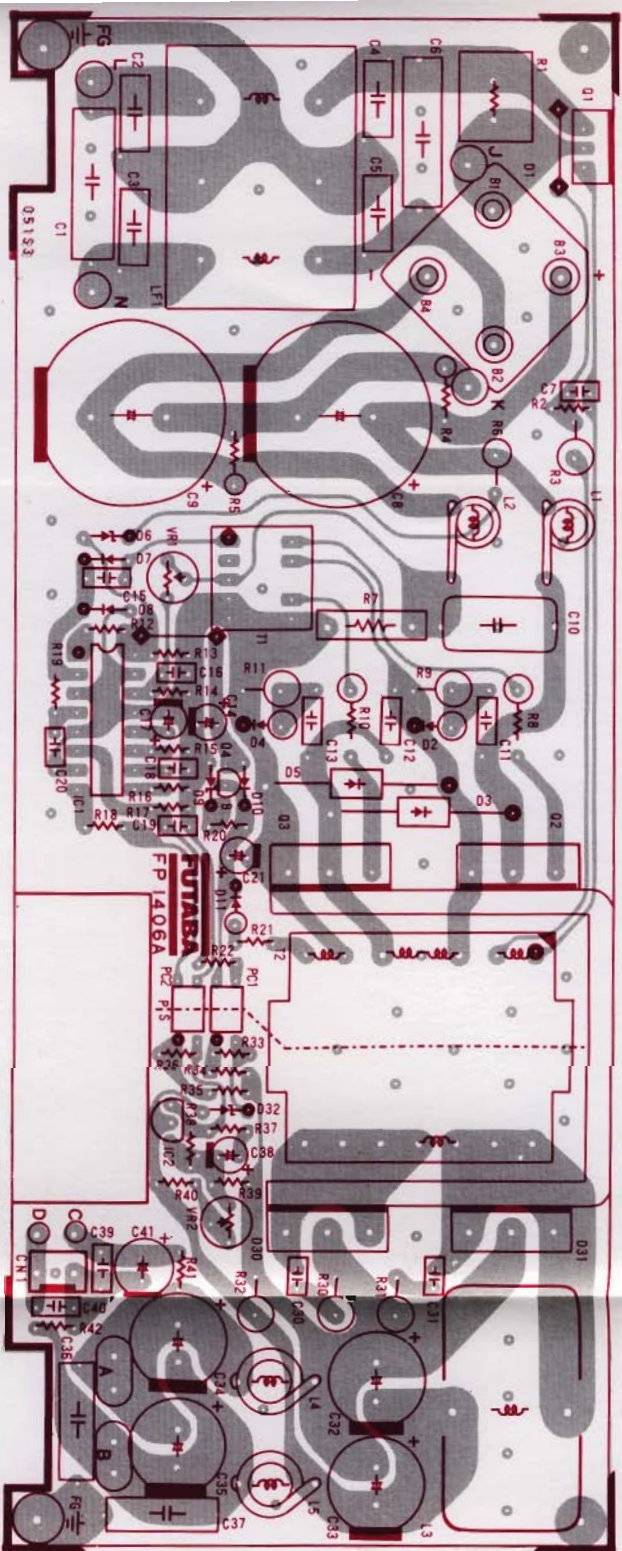


⚠ WARNING! - high voltages present

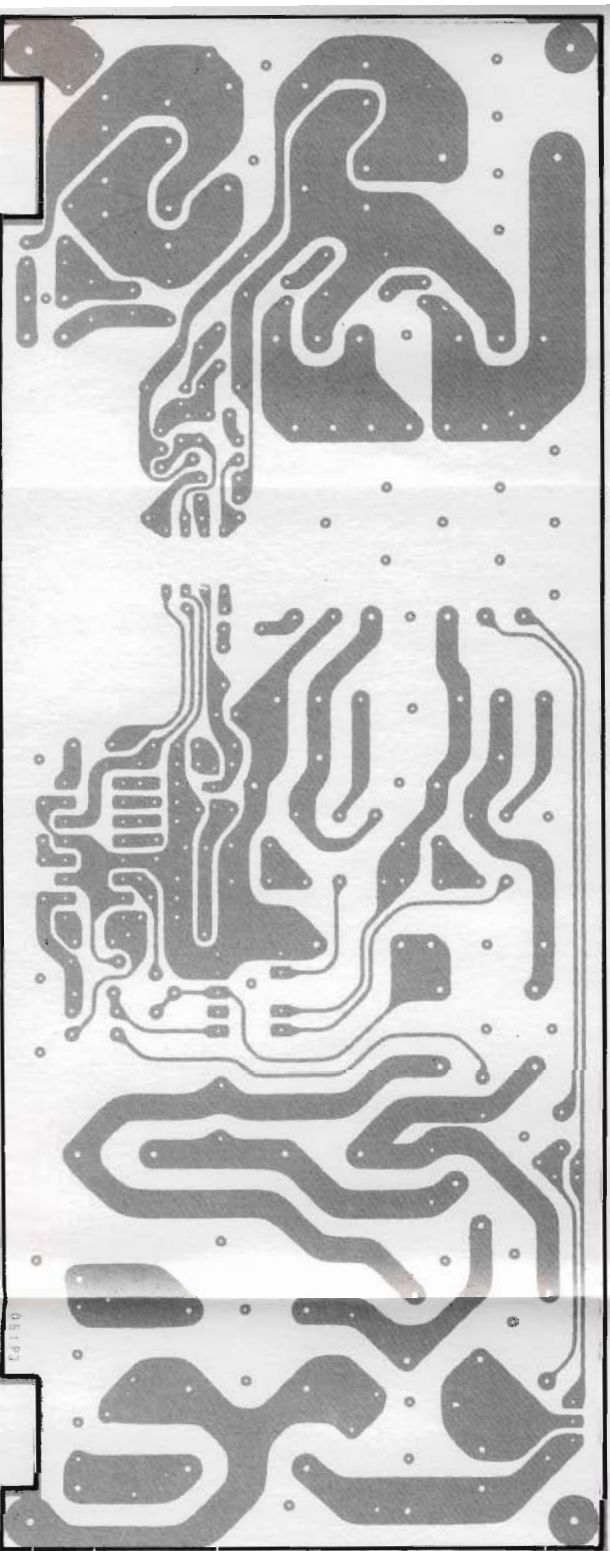


NOTE:
RESISTOR VALUES ARE IN Ω, 1/8W ;
CAPACITOR VALUES ARE IN μF, 50V ;
INDUCTOR VALUES ARE IN H ;
COILS VALUES ARE IN H ;
UNLESS OTHERWISE NOTED.





obverse view of component side



obverse view of solder side

Parts List

| REF. | DESCRIPTION | VALUE | WV | TOL. | MFR'S DESIG | YAESU P/N | VERS. | LOT. | LAY | ADR |
|-----------------|-------------------|----------|------|------|-------------------|-----------|-------|------|-----|-----|
| *** PS UNIT *** | | | | | | | | | | |
| B 0001 | FERITE BEADS | | | | B20L-44 | L9190071 | | | | |
| B 0002 | FERITE BEADS | | | | B20L-44 | L9190071 | | | | |
| B 0003 | FERITE BEADS | | | | B20L-44 | L9190071 | | | | |
| B 0004 | FERITE BEADS | | | | B20L-44 | L9190071 | | | | |
| C 0001 | FILM CAP. | 0.22uF | 630V | | MMH224K630 | K52280006 | | | | |
| C 0002 | CERAMIC CAP. | 0.0022uF | | F | DE7100F222MVA1-KC | K13269003 | | | | |
| C 0003 | CERAMIC CAP. | 0.0022uF | | F | DE7100F222MVA1-KC | K13269003 | | | | |
| C 0007 | FILM CAP. | 0.22uF | 50V | | AMZ223K50 | K52170008 | | | | |
| C 0008 | AL. ELECTRO. CAP. | 820uF | 200V | | CEAWF2D821M20 | K40239004 | | | | |
| C 0009 | AL. ELECTRO. CAP. | 820uF | 200V | | CEAWF2D821M20 | K40239004 | | | | |
| C 0010 | FILM CAP. | 0.47uF | 400V | | ECQB4474KF | K52260001 | | | | |
| C 0011 | CERAMIC CAP. | 220pF | 2KV | R | DE5077R221K2K | K10339001 | | | | |
| C 0013 | CERAMIC CAP. | 220pF | 2KV | R | DE5077R221K2K | K10339001 | | | | |
| C 0014 | AL. ELECTRO. CAP. | 27uF | 50V | | ECEA1HFE270 | K40179051 | | | | |
| C 0015 | FILM CAP. | 0.1uF | 50V | | AMZ104K50 | K52170009 | | | | |
| C 0016 | FILM CAP. | 0.022uF | 50V | | AMZ223K50 | K52170008 | | | | |
| C 0017 | AL. ELECTRO. CAP. | 0.1uF | 50V | | CEUSM1HR10 | K40179054 | | | | |
| C 0018 | FILM CAP. | 470pF | 50V | | AMZ471K50 | K52170010 | | | | |
| C 0019 | FILM CAP. | 0.047uF | 50V | | AMZ473K50 | K52170011 | | | | |
| C 0020 | FILM CAP. | 0.022uF | 50V | | AMZ223K50 | K52170008 | | | | |
| C 0021 | AL. ELECTRO. CAP. | 27uF | 50V | | ECEA1HFE270 | K40179051 | | | | |
| C 0030 | FILM CAP. | 0.001uF | 250V | | AMZ102K250 | K52240005 | | | | |
| C 0031 | FILM CAP. | 0.001uF | 250V | | AMZ102K250 | K52240005 | | | | |
| C 0032 | AL. ELECTRO. CAP. | 2200uF | 25V | | ECA1EFQ222L | K40149038 | | | | |
| C 0033 | AL. ELECTRO. CAP. | 2200uF | 25V | | ECA1EFQ222L | K40149038 | | | | |
| C 0034 | AL. ELECTRO. CAP. | 2200uF | 25V | | ECA1EFQ222L | K40149038 | | | | |
| C 0036 | FILM CAP. | 0.1uF | 630V | | MMH104K630 | K52280007 | | | | |
| C 0038 | AL. ELECTRO. CAP. | 10uF | 50V | | CEUSM1H100 | K40179053 | | | | |
| C 0040 | CERAMIC CAP. | 0.0047uF | 50V | B | DD108B472K50 | K10179038 | | | | |
| CN0001 | CONNECTOR | | | | 5045-03A | P0090219 | | | | |
| CX0001 | CERAMIC CAP. | 0.001uF | 400V | B | DE7090B102KVA1-KC | K10269002 | | | | |
| CX0002 | CERAMIC CAP. | 0.001uF | 400V | B | DE7090B102KVA1-KC | K10269002 | | | | |
| CX0003 | FILM CAP. | 0.01uF | 630V | | MMH103K630 | K52280008 | | | | |
| D 0001 | DIODE | | | | S10VB60 | G2090501 | | | | |
| D 0003 | DIODE | | | | RG2 | G2090502 | | | | |
| D 0005 | DIODE | | | | RG2 | G2090502 | | | | |
| D 0006 | DIODE | | | | RD56EB | G2090503 | | | | |
| D 0007 | DIODE | | | | 1S953 | G2009530 | | | | |
| D 0008 | DIODE | | | | 1S953 | G2009530 | | | | |
| D 0009 | DIODE | | | | HZ22-1 | G2090455 | | | | |
| D 0010 | DIODE | | | | 1SS136 | G2090504 | | | | |
| D 0011 | DIODE | | | | ERA32-02 | G2090505 | | | | |
| D 0030 | DIODE | | | | 30KF20B | G2090506 | | | | |

PS Unit

| REF. | DESCRIPTION | VALUE | WV | TOL. | MFGR'S DESIG | YAESU P/N | VERS. | LOT. | LAY | ADR |
|--------|------------------|-------|------|------|--------------|-----------|-------|------|-----|-----|
| D 0031 | DIODE | | | | 30KF20B | G2090506 | | | | |
| D 0032 | DIODE | | | | RD15EB2 | G2090507 | | | | |
| IC0001 | IC | | | | M51977P | G1091275 | | | | |
| IC0002 | IC | | | | NJM431L | G1091276 | | | | |
| L 0001 | RFC | | | | SU10VD20010 | S8100251 | | | | |
| L 0003 | RFC | | | | HP104Z | S8100205 | | | | |
| L 0004 | RFC | | | | FL1914A | S8100252 | | | | |
| LF0001 | LINE FILTER | | | | 736006 | S8100201 | | | | |
| PC0001 | PHOTO COUPLER | | | | PC817 | G0090006 | | | | |
| PC0002 | PHOTO COUPLER | | | | PC817 | G0090006 | | | | |
| Q 0001 | TRIAC | | | | TM1041SL | G3090096 | | | | |
| Q 0002 | FET | | | | 2SK1016 | G3810160 | | | | |
| Q 0003 | FET | | | | 2SK1016 | G3810160 | | | | |
| Q 0004 | TRANSISTOR | | | | 2SC3705 | G3337050 | | | | |
| R 0001 | FUSE RES. | 10 | 5W | | A53K10J | J31379001 | | | | |
| R 0002 | CARBON FILM RES. | 1K | 1/6W | | RD16PJ102 | J01225102 | | | | |
| R 0003 | METAL FILM RES. | 100 | 2W | | ERG-2SJ101 | J22335101 | | | | |
| R 0004 | CARBON FILM RES. | 100K | 1/2W | | RD12TJ104 | J01275104 | | | | |
| R 0005 | CARBON FILM RES. | 100K | 1/2W | | RD12TJ104 | J01275104 | | | | |
| R 0006 | METAL FILM RES. | 100K | 1W | | RSU1-100K J | J22305104 | | | | |
| R 0007 | CEMENT RES. | 0.05 | 5W | | MPC75-0.05 K | J31379002 | | | | |
| R 0008 | METAL FILM RES. | 10 | 1W | | ERG-1SJ100 | J22305100 | | | | |
| R 0009 | METAL FILM RES. | 22 | 2W | | ERG-2SJ220 | J22335220 | | | | |
| R 0010 | METAL FILM RES. | 10 | 1W | | ERG-1SJ100 | J22305100 | | | | |
| R 0011 | METAL FILM RES. | 22 | 2W | | ERG-2SJ220 | J22335220 | | | | |
| R 0012 | CARBON FILM RES. | 22 | 1/6W | | RD16PJ220 | J01225220 | | | | |
| R 0013 | CARBON FILM RES. | 15K | 1/6W | | RD16PJ153 | J01225153 | | | | |
| R 0014 | CARBON FILM RES. | 47 | 1/6W | | RD16PJ470 | J01225470 | | | | |
| R 0015 | CARBON FILM RES. | 16K | 1/6W | | RD16PJ163 | J01225163 | | | | |
| R 0016 | CARBON FILM RES. | 20K | 1/6W | | RD16PJ203 | J01225203 | | | | |
| R 0017 | CARBON FILM RES. | 12K | 1/6W | | RD16PJ123 | J01225123 | | | | |
| R 0018 | CARBON FILM RES. | 1K | 1/6W | | RD16PJ102 | J01225102 | | | | |
| R 0019 | CARBON FILM RES. | 10K | 1/6W | | RD16PJ103 | J01225103 | | | | |
| R 0020 | CARBON FILM RES. | 1.5K | 1/6W | | RD16PJ152 | J01225152 | | | | |
| R 0021 | CARBON FILM RES. | 22 | 1/6W | | RD16PJ220 | J01225220 | | | | |
| R 0022 | CARBON FILM RES. | 10K | 1/6W | | RD16PJ103 | J01225103 | | | | |
| R 0030 | METAL FILM RES. | 4.7 | 2W | | ERX-2SJ4R7 | J22335479 | | | | |
| R 0031 | METAL FILM RES. | 4.7 | 2W | | ERX-2SJ4R7 | J22335479 | | | | |
| R 0032 | METAL FILM RES. | 470 | 2W | | ERG-2SJ471 | J22339007 | | | | |
| R 0033 | CARBON FILM RES. | 10K | 1/6W | | RD16PJ103 | J01225103 | | | | |
| R 0034 | CARBON FILM RES. | 1K | 1/6W | | RD16PJ102 | J01225102 | | | | |
| R 0035 | CARBON FILM RES. | 1K | 1/6W | | RD16PJ102 | J01225102 | | | | |
| R 0036 | CARBON FILM RES. | 10K | 1/6W | | RD16PJ103 | J01225103 | | | | |

| REF. | DESCRIPTION | VALUE | WV | TOL. | MFGR'S DESIG | YAESU P/N | VERS. | LOT. | LAY | ADR |
|--------|------------------|-------|------|------|-----------------|-----------|-------|------|-----|-----|
| R 0037 | CARBON FILM RES. | 1K | 1/6W | | RD16PJ102 | J01225102 | | | | |
| R 0038 | CARBON FILM RES. | 100K | 1/6W | | RD16PJ104 | J01225104 | | | | |
| R 0039 | CARBON FILM RES. | 4.7K | 1/6W | | RD16PJ472 | J01225472 | | | | |
| R 0040 | CARBON FILM RES. | 910 | 1/6W | | RD16PJ911 | J01225911 | | | | |
| T 0001 | DRIVER TRANS. | | | | FL1804A | S8100202 | | | | |
| T 0002 | CONVERTER TRANS. | | | | FL1803A | S8100203 | | | | |
| VR0001 | POT. | 100 | | | EVN-38C-A00-B12 | S8100207 | | | | |
| VR0002 | POT. | 100 | | | EVN-38C-A00-B12 | S8100207 | | | | |