

2

1

REVISIONS

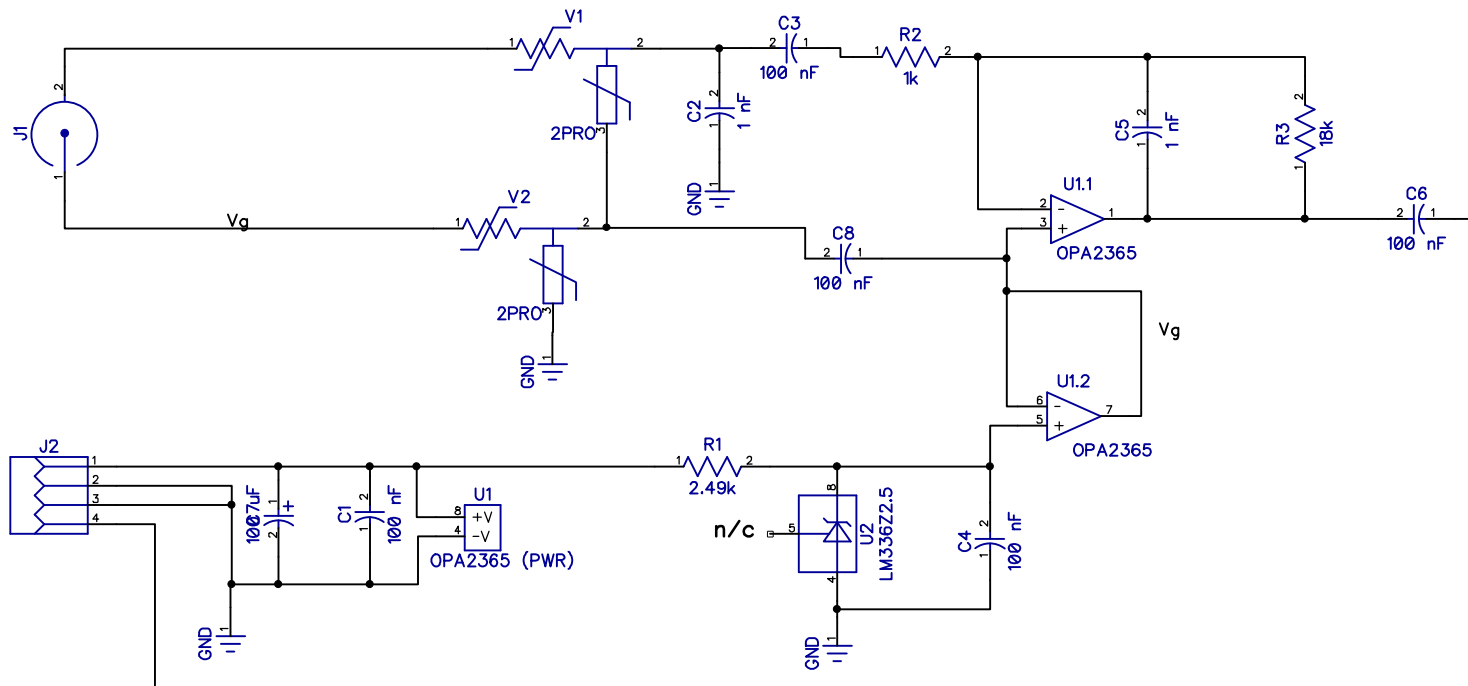
ZONE	REV	DESCRIPTION	DATE	APPROVED
------	-----	-------------	------	----------

3 Change Loop input to BNC

Output to
Sound Card

Loop Ant.

5VDC In +
-



B

B

A

A

Drawn: Tom Hagen
19JUL2013

SuperSID Version 3, Rev. 3 Pre-Amplifier

SIZE	FSCM NO.	DWG NO.	REV
------	----------	---------	-----

SCALE Sheet 1

2

1