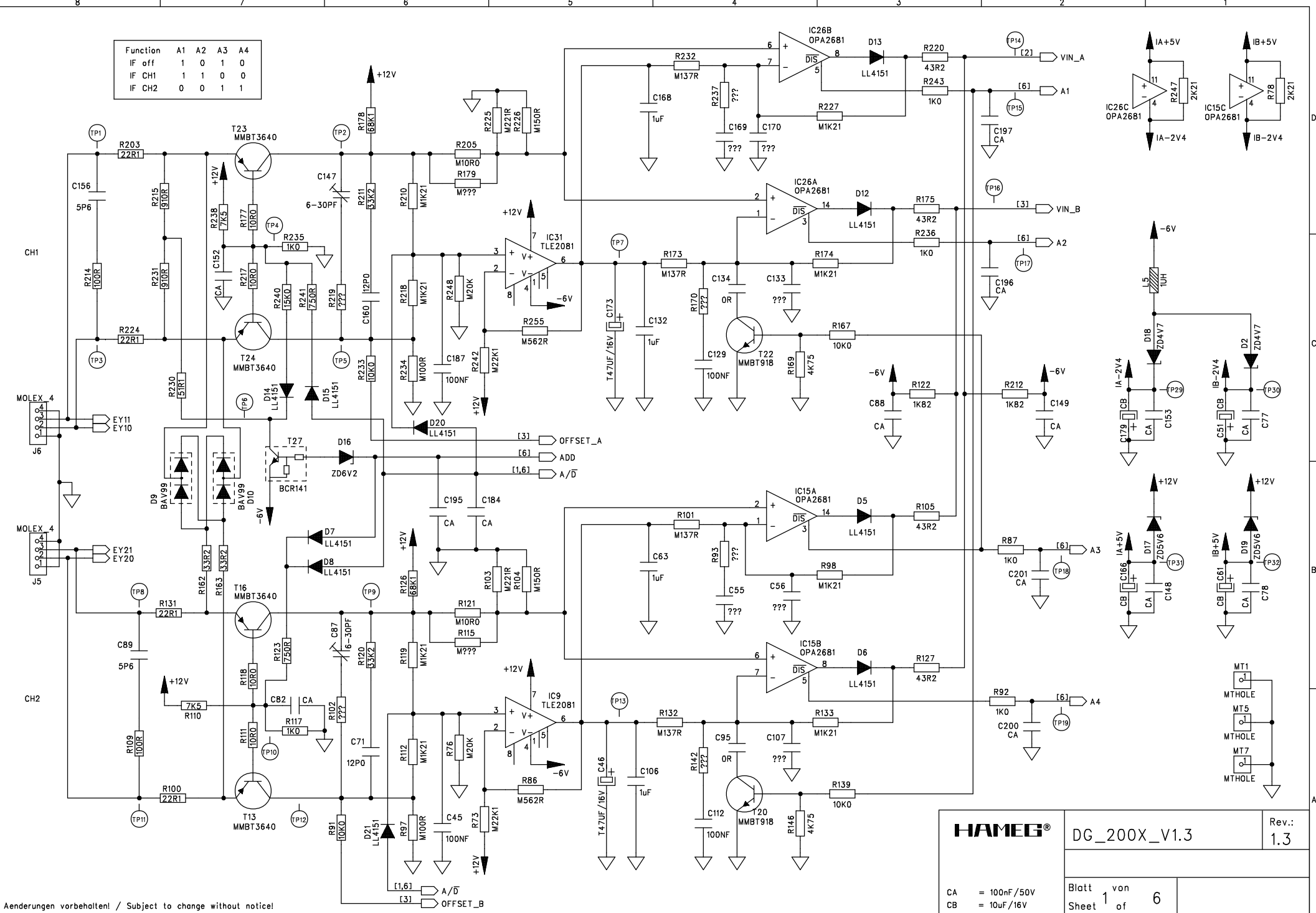
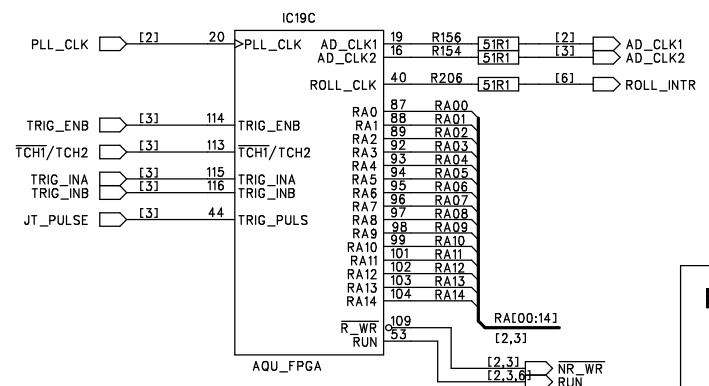
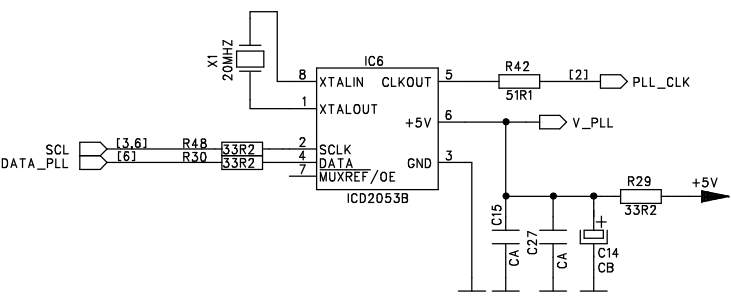
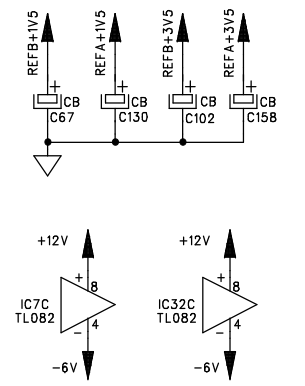
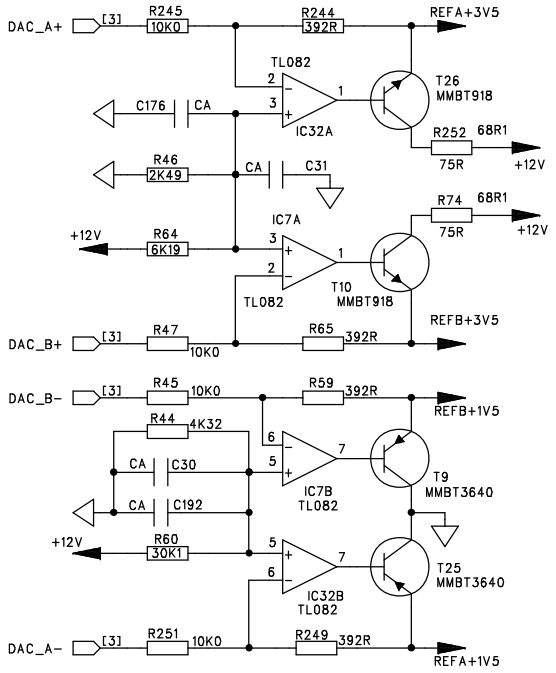
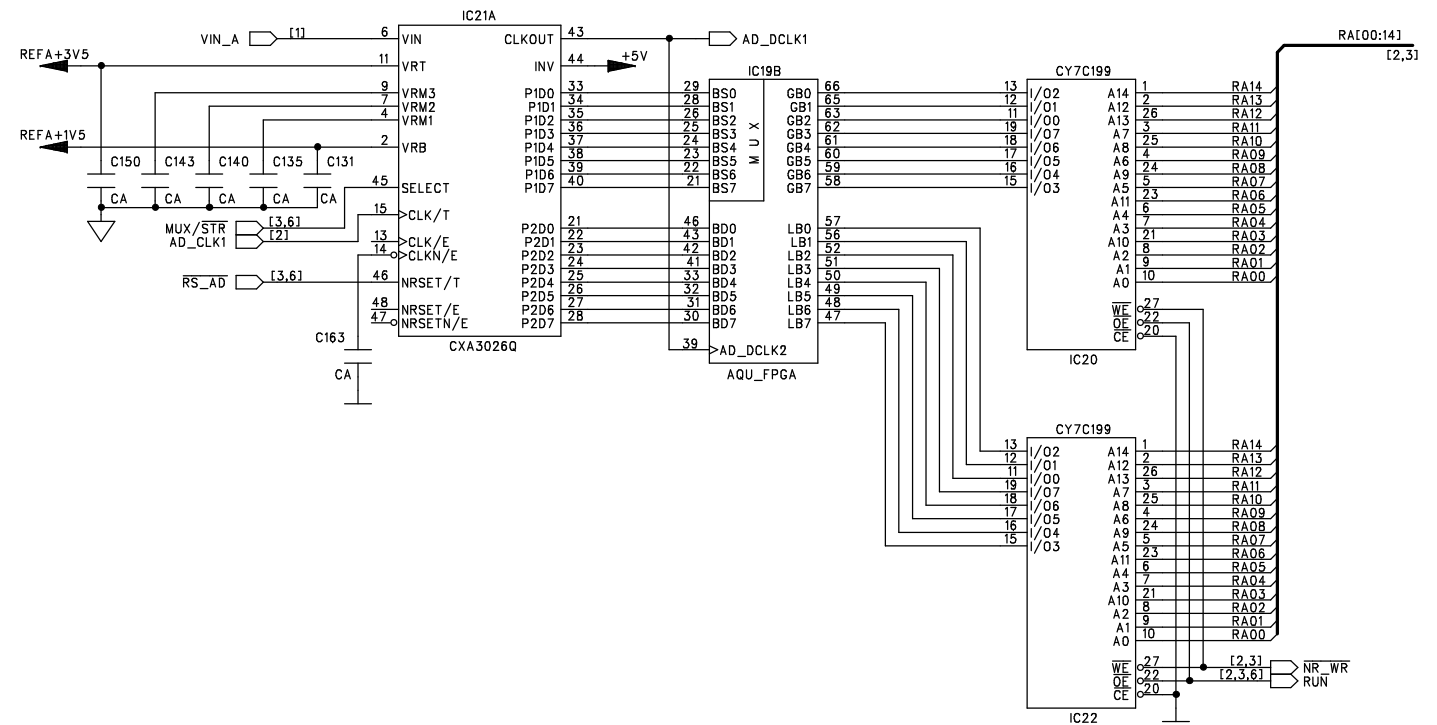
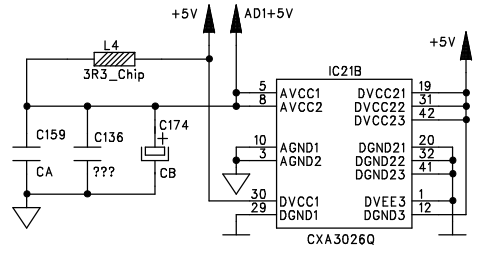


Function	A1	A2	A3	A4
IF off	1	0	1	0
IF CH1	1	1	0	0
IF CH2	0	0	1	1



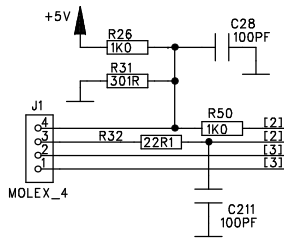
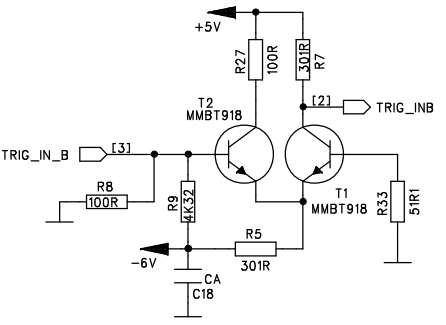
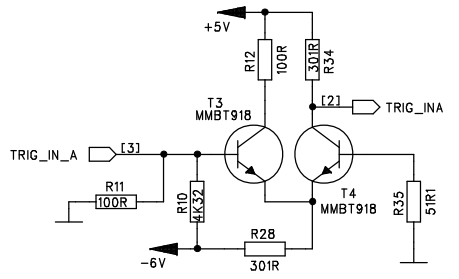
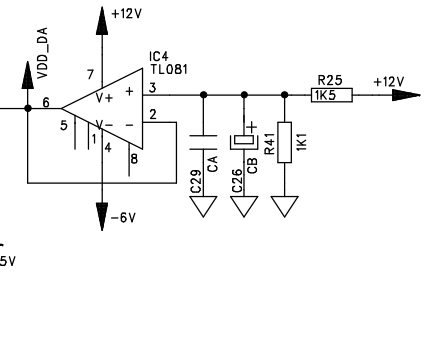
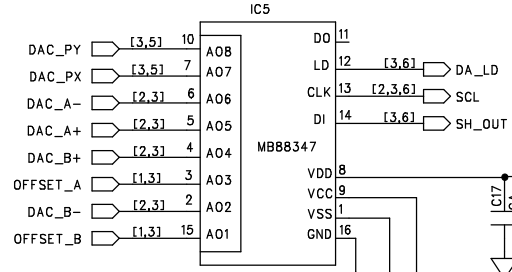
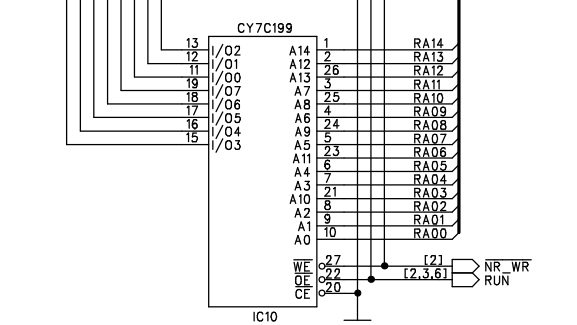
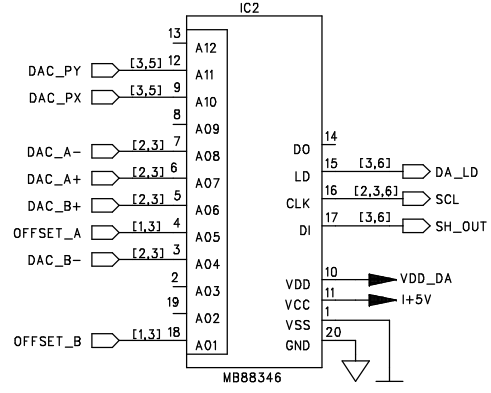
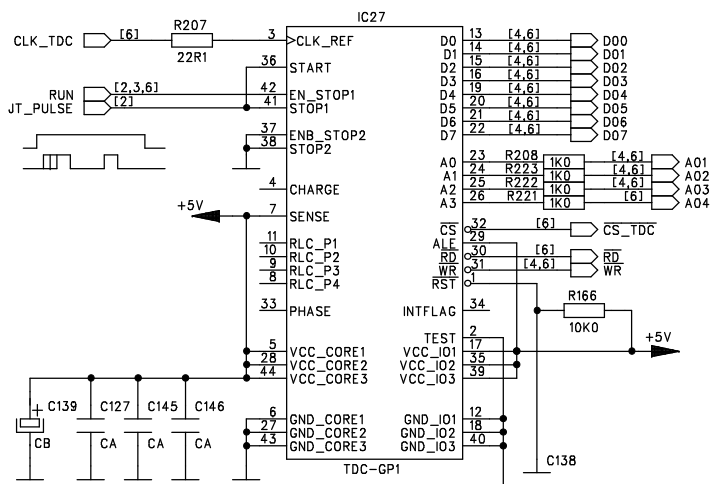
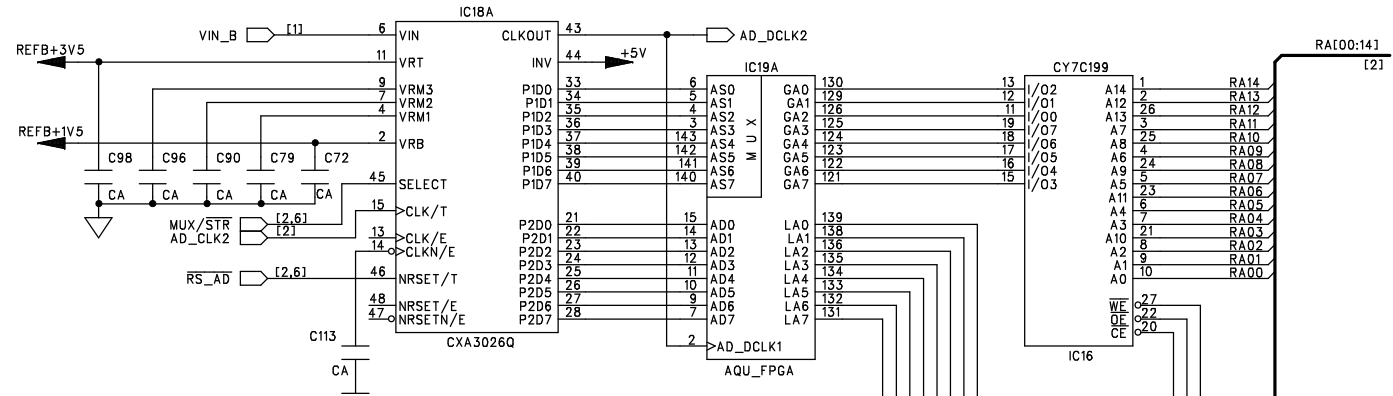
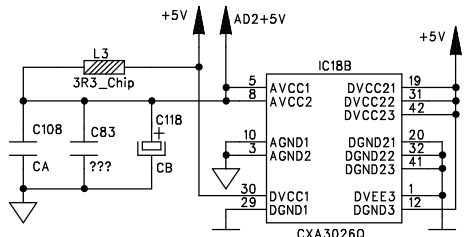
Aenderungen vorbehalten! / Subject to change without notice!

HAMEG® CA = 100nF/50V CB = 10µF/16V	DG_200X_V1.3	Rev.: 1.3
	Blatt 1 von 6 Sheet 1 of 6	



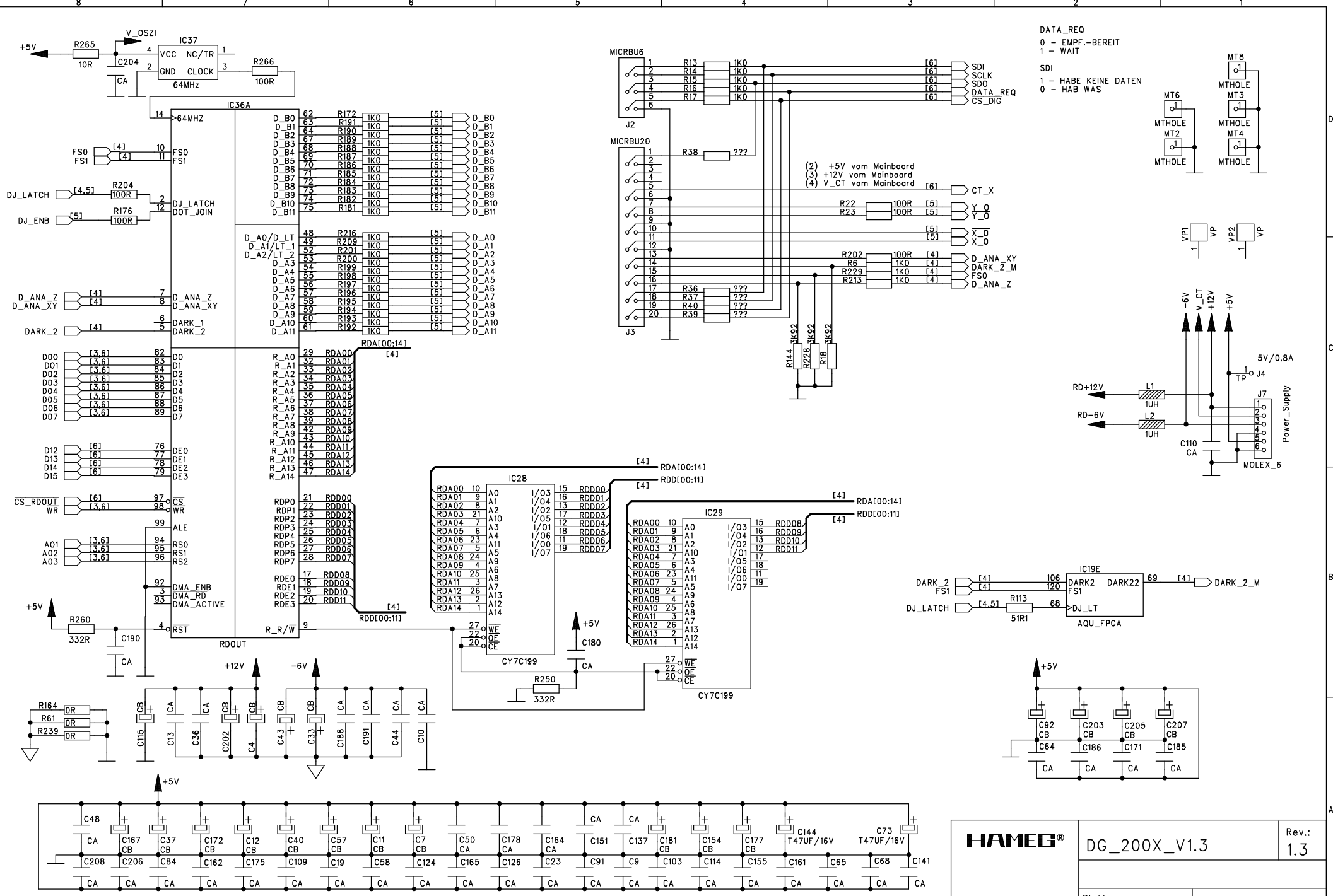
HAMEG® CA = 100nF/50V CB = 10µF/16V	DG_200X_V1.3	Rev.: 1.3
	Blatt 2 von 6 Sheet 2 of 6	

Aenderungen vorbehalten! / Subject to change without notice!



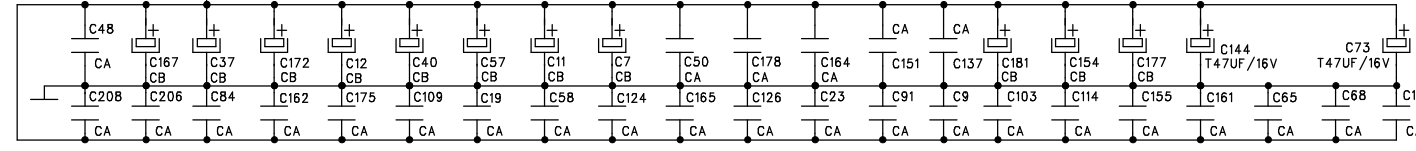
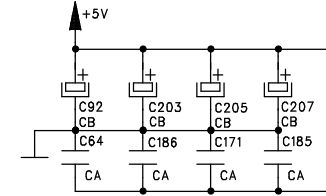
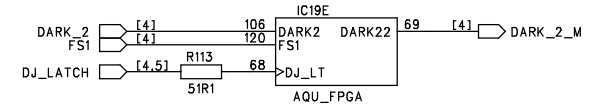
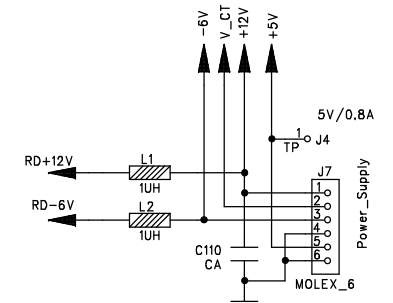
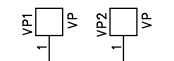
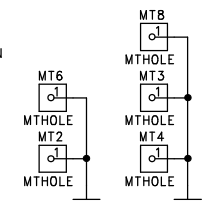
	DG_200X_V1.3	Rev.: 1.3
	Blatt 3 von 6 Sheet 3 of 6	

CA = 100nF/50V
CB = 10uF/16V



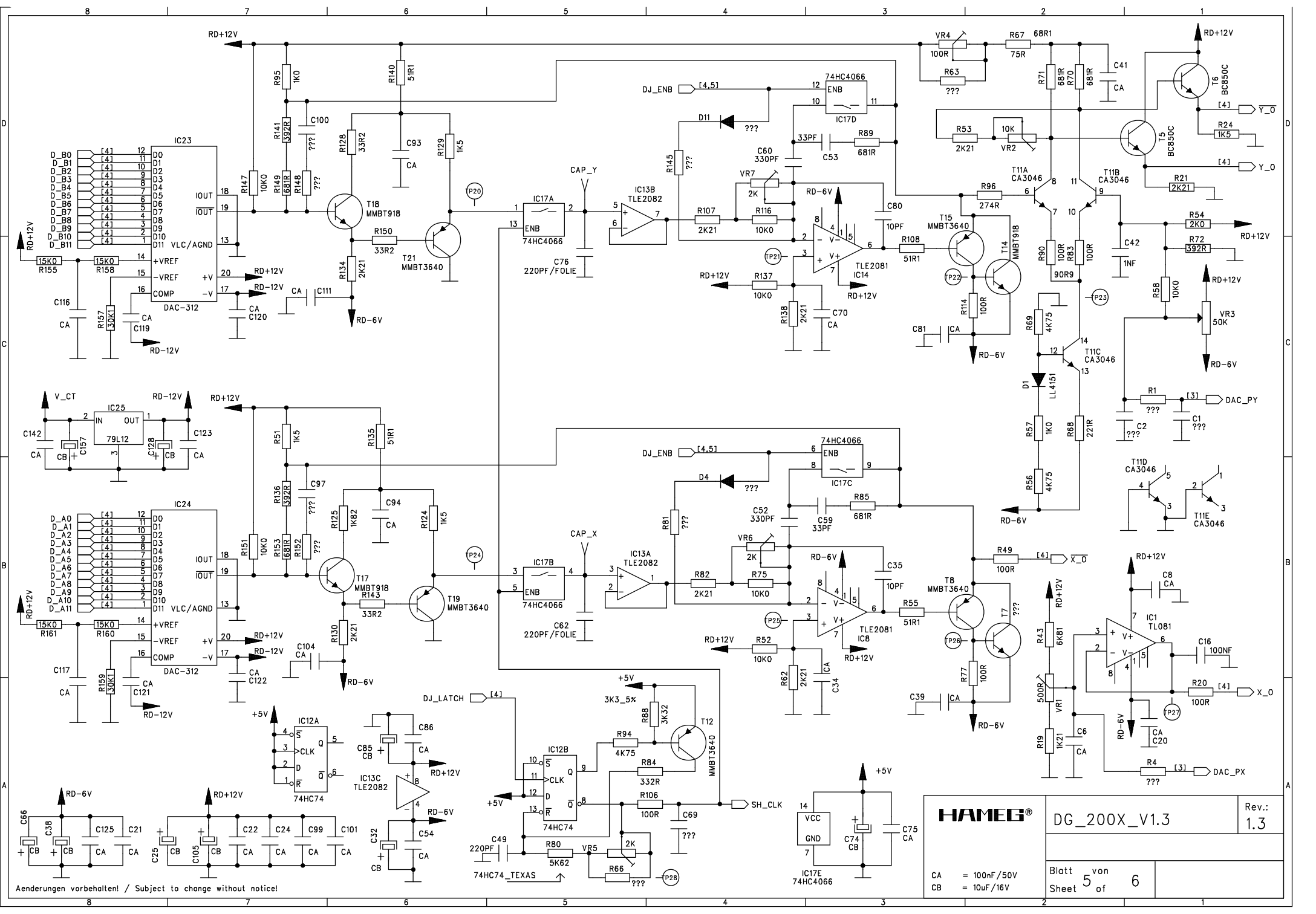
DATA_REQ
 0 - EMPF.-BEREIT
 1 - WAIT

SDI
 1 - HABE KEINE DATEN
 0 - HAB WAS



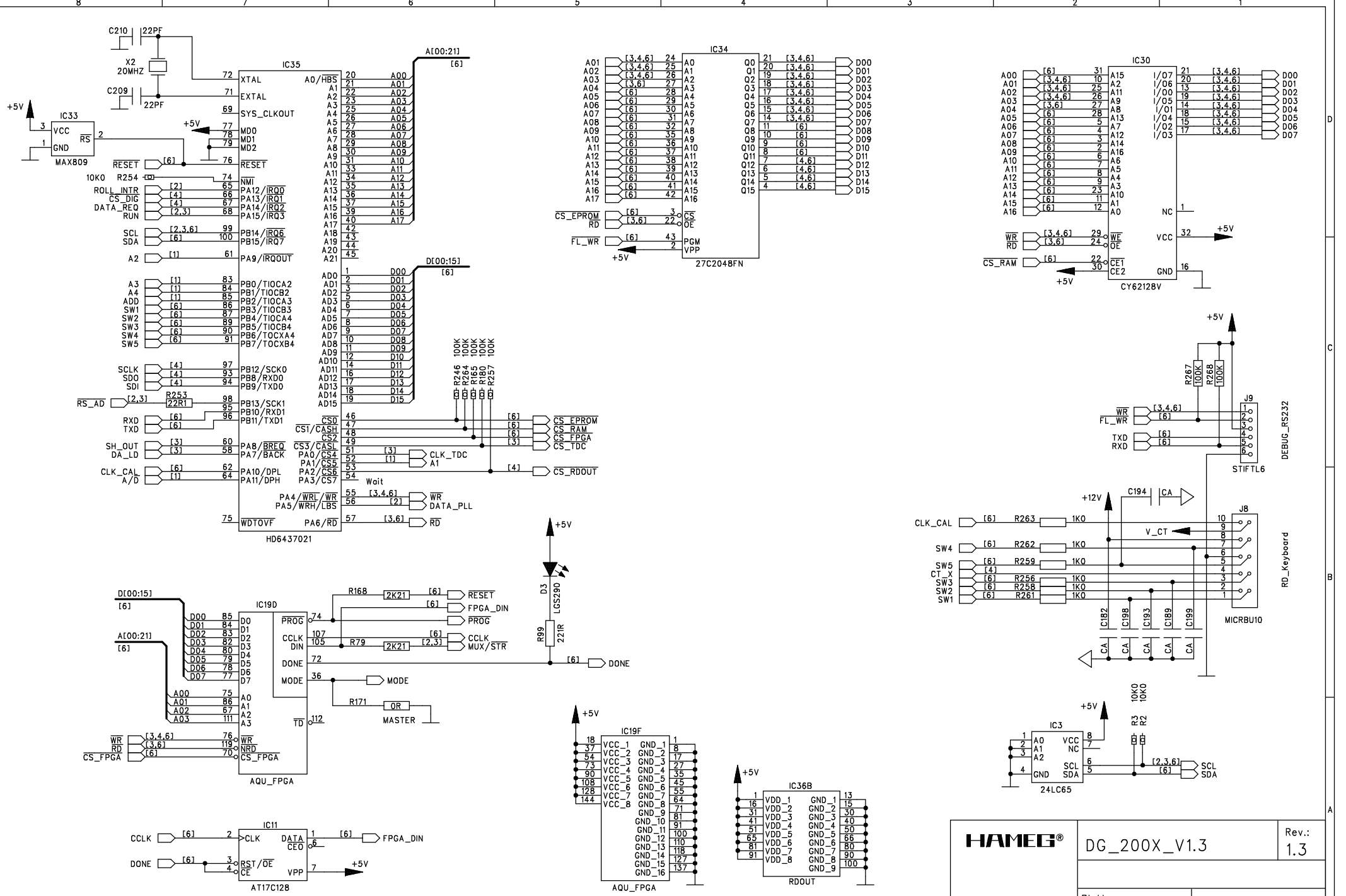
HAMEG®	DG_200X_V1.3	Rev.: 1.3
	Blatt 4 von 6 Sheet 4 of 6	

Aenderungen vorbehalten! / Subject to change without notice!



Anderungen vorbehalten / Subject to change without notice!

HAMEG® CA = 100nF/50V CB = 10µF/16V		DG_200X_V1.3	Rev.: 1.3
		Blatt 5 von 6 Sheet 5 of 6	



Aenderungen vorbehalten! / Subject to change without notice!

		DG_200X_V1.3	Rev.: 1.3
		Blatt 6 von 6 Sheet 6 of 6	

DG 200X_V1.3 990210

