

MUT-A SERIES

Patent and design rights registered for and in relation to this product. See Page 9 for details.

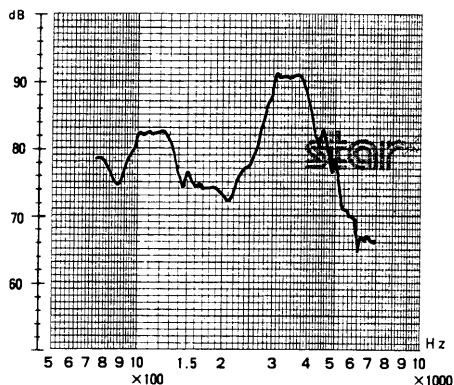


FEATURES

1. Compact
Small and slim size of 11mm W × 14mm L × 3mm H.
2. The unique structure and its housing allow for reflow process.
3. Tape and reel packaging for auto mounting.
4. Side sound port.

FREQUENCY RESPONSE

(typical curve of type MUT-01A)



applied voltage : 1.5V, square wave, 1/2 duty
distance for measurement : 10cm

SPECIFICATIONS

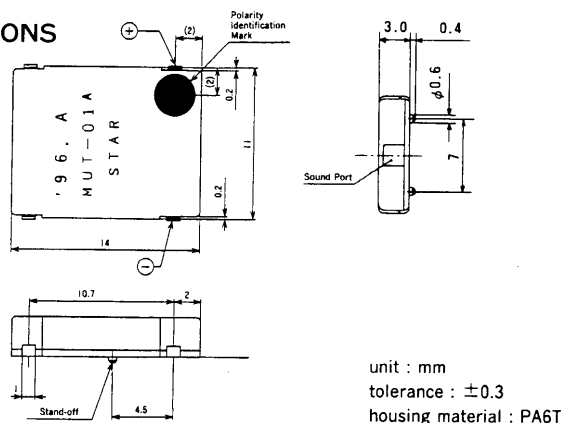
927-466 927-478

Type	MUT-01A	MUT-03A
◆ Rated Voltage (V)	1.5	3
※ Mean Current Consumption (mA)	MAX65(TYP50)	MAX70(TYP56)
Coil Resistance (Ω)	9 ± 2	18 ± 2
※ Sound Output at 10cm (dB)	MIN85(TYP92)	MIN87(TYP95)
Rated Frequency (Hz)	3,200	3,200
Operating Voltage (V)	MAX1.7	MAX4.5
Operating Temperature (°C)	-20 ~ +70	-20 ~ +70
Storage Temperature (°C)	-55 ~ +95	-55 ~ +95
Weight (g)	1	

◆ See P.6 for details

※ Value applying rated voltage (3,200Hz, 1/2duty, square wave)

DIMENSIONS



unit : mm
tolerance : ±0.3
housing material : PA6T

NEW

MUT-D SERIES

Patent and design rights registered for and in relation to this product. See Page 9 for details.

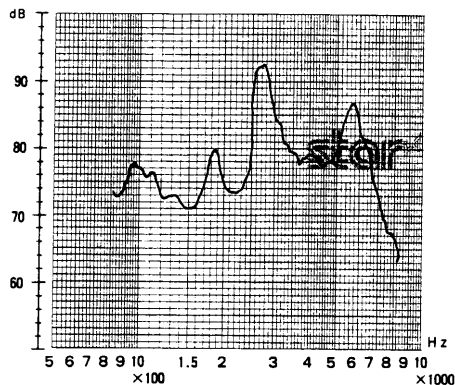


FEATURES

1. Compact
Small and slim size of 11mm W × 14mm L × 3mm H.
2. The unique structure and its housing allow for reflow process.
3. Tape and reel packaging for auto mounting.
4. Side sound port.

FREQUENCY RESPONSE

(typical curve of type MUT-01D)



applied voltage : 1.5V, square wave, 1/2 duty
distance for measurement : 10cm

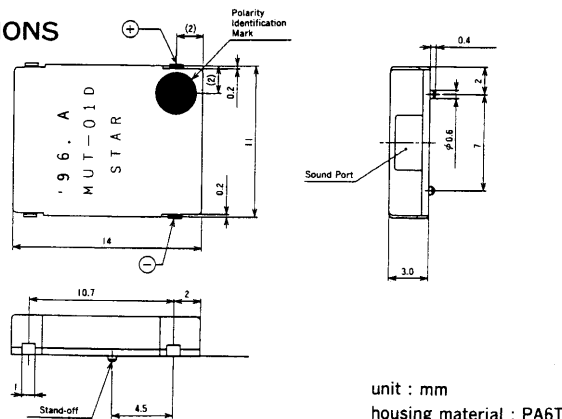
SPECIFICATIONS

Type	MUT-01D
◆ Rated Voltage (V)	1.5
※ Mean Current Consumption (mA)	MAX70(TYP60)
Coil Resistance (Ω)	9 ± 2
※ Sound Output at 10cm (dB)	MIN85(TYP91)
Rated Frequency (Hz)	2,670
Operating Voltage (V)	MAX1.7
Operating Temperature (°C)	-20 ~ +70
Storage Temperature (°C)	-55 ~ +85
Weight (g)	1

◆ See P.6 for details

※ Value applying rated voltage (2,670Hz, 1/2duty, square wave)

DIMENSIONS



unit : mm
housing material : PA6T