

DLE-111

Operator's Manual



Specifications

- Displacement:** 111cc [6.8cu. in.]
Performance: 11.2HP/7,500RPM
Idle speed: 1,400RPM
Ignition Style: Electronic Ignition
Recommended Propellers: 27×10, 26×12, 28×10
Spark Plug Type: CM6
(Gap) 0.018 in. – 0.020 in. [0.5mm]
Diameter x Stroke: 1.77 in. [45mm] × 1.38 in. [35mm]
Compression Ratio: 7.6:1
Carburetor: DLE with Manual Choke
Weight: Main Engine – 5.51 lbs [2,500g]
Mufflers (2) – 3.6oz [100g]
Electronic Ignition – 5.1oz [160g]
Standoffs – 1.16oz [40g]
Fuel: 87–93 Octane Gasoline with a 30:1
gas/2-stroke (2-cycle) oil mixture

DLETM

Parts List



- (1) DLE-111cc Gas Engine w/carburetor
- (2) CM6 Spark Plugs
- (2) Mufflers w/gasket
- (4) 5x20mm SHCS (muffler mounting)
- (1) Electronic Ignition Module with additional tachometer lead
- (4) Engine Mounting Standoffs
- (6) 5x40mm SHCS with 5mm flat and 5mm lock washers (propeller mounting)
- (2) Silicone Ignition Wire/Pick-up Wire Cover
- (1) Red Three Pin Connector with Pig Tail
- (2) Three Pin Connector Securing Clips
- (1) DLE Decal Set

Safety Tips and Warnings

- This engine is not a toy. Please place your safety and the safety of others paramount while operating. DLE will not be held responsible for any safety issues or accidents involving this engine.
- Operate the engine in a properly ventilated area.
- Before starting the engine, please make sure all components including the propeller and the engine mount are secure and tight. It is strongly recommended that a screw sealant is used (Great Planes Threadlocker GPMR6060) during engine installation.
- During the break-in period, it is recommended that the engine be installed on the aircraft or a test stand with an appropriate shock absorber. Otherwise it is probable that vibration could rebound

back to the engine and serious damages may occur during the break-in period.

- For your safety and the safety of others, please do not stand in front of the propeller or inline with the propeller when the engine is running. Keep onlookers away from the running engine, especially small children.
- Always use a balanced spinner and a balanced propeller. An unbalanced spinner and propeller combination will cause high levels of vibration and may cause the propeller shaft to break. Always use a lightweight spinner on your engine. Lightweight spinners are considered to be those with a cone wall of 1mm or less. Heavy spinners could cause the propeller shaft to break. Securely tighten the spinner and propeller on the engine to prevent them from being thrown off the engine while running.
- Never use a propeller that has hit the ground. Even though it may look good from the outside, it may be cracked on the inside which may cause it to disintegrate while in use. Do not use a nicked, cracked or split propeller.
- Keep foreign objects away from the propeller. Make sure that nothing can be “sucked in” by the propeller.
- Never start the engine on loose gravel or sand.
- Do not attempt to stop the engine by throwing anything into the path of the propeller.
- Do not use silicone fuel line because it will be dissolved by the fuel. Use gasoline approved rubber fuel line. Always secure the fuel line away from the cylinder head. The engine’s heat can damage the fuel line.
- Never touch the engine immediately after a run. The engine will be hot.
- Before transporting your model, remove all the fuel from the fuel tank and fuel lines.
- Always use high-quality oil intended for 2-stroke (2-cycle) engines. It’s a good idea to use a petroleum-based 2-cycle motor oil like Lawn Boy All Season - Ashless, Generation II oil for the break-in period. Break-in should be considered about the first 3-5 gallons you run in the engine. A high quality synthetic 2-cycle oil is recommended for optimum performance and a longer engine life. Synthetic 2-cycle oils leave fewer combustion byproducts than natural oils, which can foul the engine and exhaust ports, resulting in reduced performance. Synthetic oils also better reduce friction and provide more fluidity at low temperatures.

- Do not install your throttle servo or kill switch servo inside the engine compartment. Doing so could cause radio interference. Install all electronic radio devices at least 12" [305mm] away from the engine.
- The throttle and choke pushrods should be non-metallic.
- If the engine is not to be used for more than a month, drain the fuel tank and remove any fuel from inside the carburetor. Do this by running the engine at idle until it quits by running out of fuel. Keeping gasoline inside the carburetor over an extended period of time will damage the diaphragm valve and clog passages inside the carburetor. Because the carburetor is more complicated than those used in glow engines, keep the fuel clean by using a fuel filter. Use a filter intended to be used with gasoline engines. Metal filters intended for glow engine are too coarse and will not screen out finer particles.
- Always filter your fuel by using an appropriate filter before putting it into the airplane's fuel tank.
- Gasoline is extremely flammable. Keep it away from an open flame, excessive heat or sources of sparks.
- Do not smoke near the engine or the fuel tank.
- This engine was designed for use in a model aircraft. Do not attempt to use it for any other purpose.
- Always install an ignition system kill switch on the aircraft used.
- **Caution:** Running the engine with a lean fuel mixture will cause the engine to overheat and burn the electrode of the spark plugs. Pay close attention to the High-speed Needle adjustment. Running the engine with the proper fuel mixture will make the spark plugs appear yellow at the ignition point.
- For optimum performance please use fresh or recently purchased 87-93 octane gasoline with a 30:1 fuel/oil mixture.

Fuel/Oil Mixing Chart

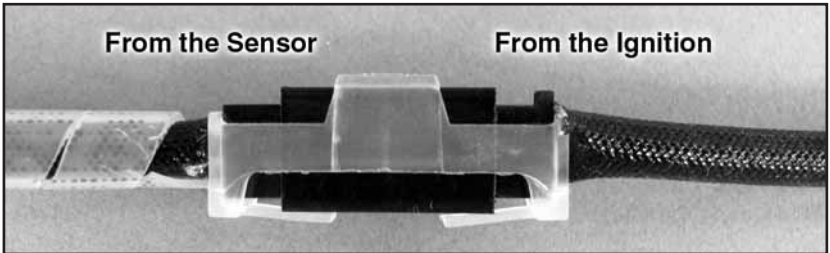
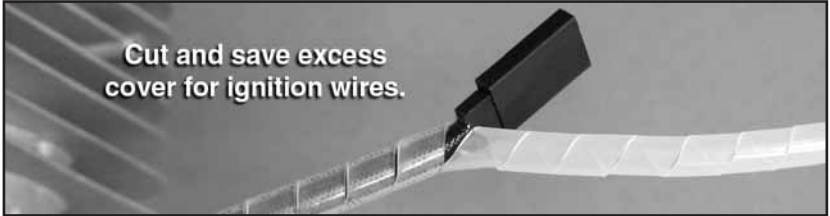
1 Gallon Gasoline (128 fl oz/3.78L) / 2-Cycle Oil
(4.26fl oz/125.68ml) = 30:1 ratio

- Excessive running of the engine at idle speed can result in carbonized spark plugs.
- Keep the surface of the engine clean to ensure proper heat dissipation. Ensure proper cooling/ventilation around both cylinders with adequate air exhaust.
- To avoid permanent damage to the electronic ignition system, NEVER rotate the propeller on your DLE engine with the electronic ignition system switched on and the plug not installed in the plug cap.

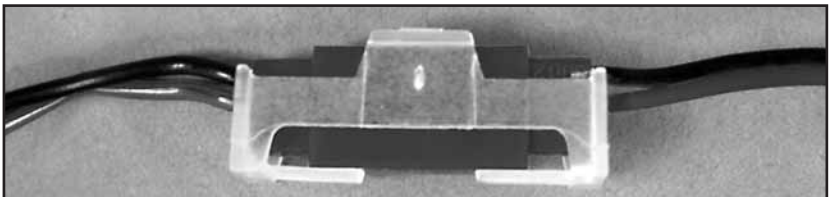
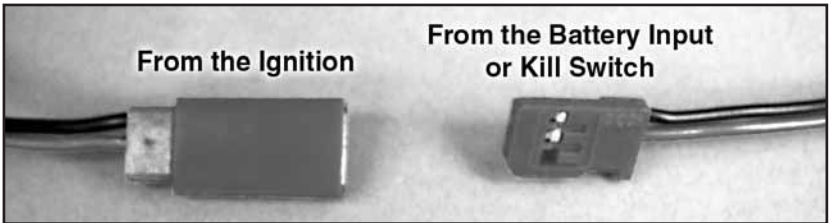
Installation Instructions

Prepare the engine for installation

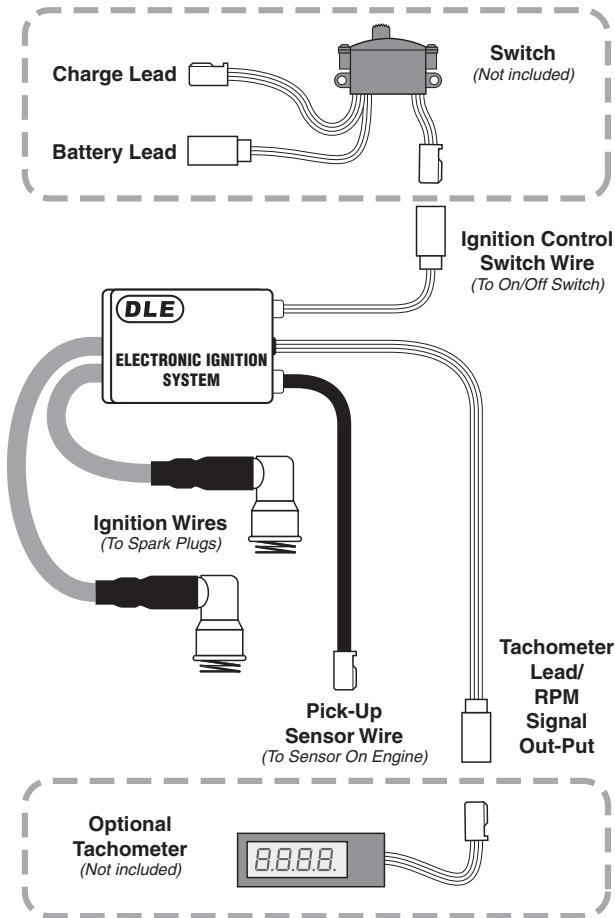
1. Check to see that all screws and bolts are tight. Check carefully for any cracks, broken or missing parts. Tighten or replace any damaged or missing parts before proceeding.



2. Install the silicone wire cover over the pick-up lead coming from the engine (cut the excess silicone wire cover) and connect the lead to the pick-up lead from the Electronic Ignition Module. Secure the connection with the included three pin connection securing clips.



3. Connect the kill switch lead to the red connector from the Electronic Ignition Module using the lead from the kill switch or with the included three pin connector with pigtail. Use one of the included three pin securing clips to secure the connection.



4. Connect the ignition module battery to the kill switch. Any 4.8-6.0V, 1000mAh and above capacity battery will work well for this. Use heat shrink tubing to secure this connection.

5. Install the ignition kill switch on the aircraft so that it is easily accessible through the cowling or the fuselage.



6. Install the ignition module and battery securely in the airplane forward area. It is recommended that a thin piece of foam rubber is placed between the module and the mounting surface and that Velcro® is used to hold the module in place.

7. Secure all connections with heat shrink tubing. (not supplied)



8. Install the remaining silicone wire covers over the ignition wires.

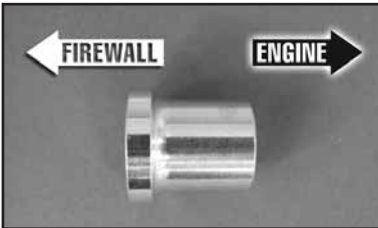
9. Install the spark plugs into the cylinders (7-8lbs torque)

Installing the DLE-111 on Your Airplane

Note: The DLE-111 must be installed on a minimum 3/8" [9.5mm] plywood firewall. The firewall must be securely glued to the airplane. Use triangle stock and pin the firewall with hardwood dowels to reinforce the firewall glue joints. Never install the DLE-111 onto a firewall thinner than specified because it may fail due to the power of the engine.

Note: The length of the engine from the back on the engine mount to the face of the propeller washer is 7-13/32" [186mm].

1. Use the supplied template (on the back cover of this manual) to drill the engine mounting bolt holes.

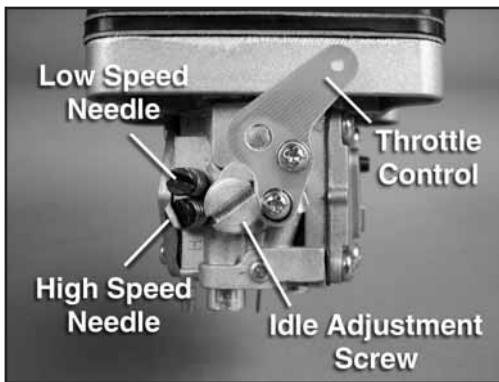
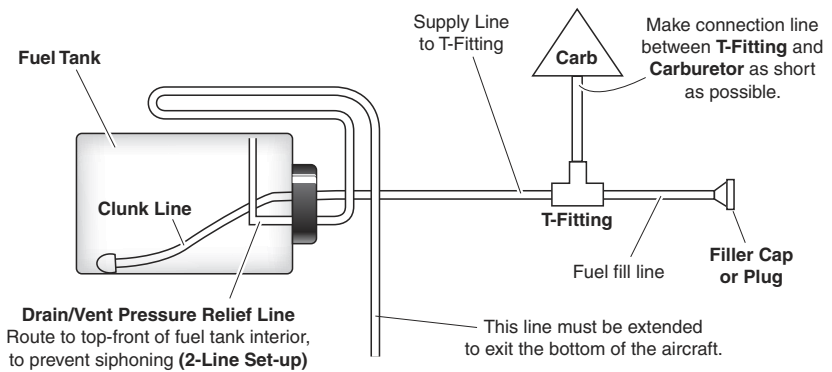


2. Install (4) 6mm blind nuts (not included) into the back side (non-engine side) of the firewall. Install the engine to the firewall using (4) 6x45mm SHCS with 6mm lock washers and flat washers (not included) with the included standoffs. Use threadlocking

compound, such as Great Planes® Pro™ Threadlocker (GPMR6060), on the screws where they thread into the blind nuts.

3 Install the fuel tank in the airframe. Use only gasoline approved fuel tank and lines and a gasoline safe fuel tank stopper. One line should go to the carburetor and the other is to be used as a vent (a vent line is simply an open ended fuel line from the fuel tank which exits the engine compartment or the fuselage; most vent lines exit at the bottom of the firewall). You can fill the tank by using the carburetor line as fill line if you have access to it or install a third line to be used as fill line. Installing a third line is the cleanest and easiest way to add fuel. An alternative fueling set up is a 2-line system with a T-fitting approved for gasoline use. Be sure to use a filler plug with either a 2 line or 3 line set-up. It is a good idea to add an extension to the vent line as shown, that goes up and to

the rear of the tank. This helps to avoid draining fuel from the tank when the model is pointed down.



4. Install the throttle servo at least 12" [305mm] away from the engine. Make sure that you get the carburetor's full range of rotation with your servo travel. Be sure to use a non-metallic linkage. A high torque metal gear servo is recommended to operate the throttle.

5. Connect the ignition wires from ignition module to the spark plugs.
6. Install the mufflers onto the engine. Be sure to use threadlocker, and that the ignition wires do not contact the mufflers.
7. Cut all necessary clearance, cooling, carburetor adjustment, and exhaust holes in the cowl.
8. Make sure the cowl is secured to the airplane and that the spinner back plate to cowl clearance is at least 1/8" [3.2mm].

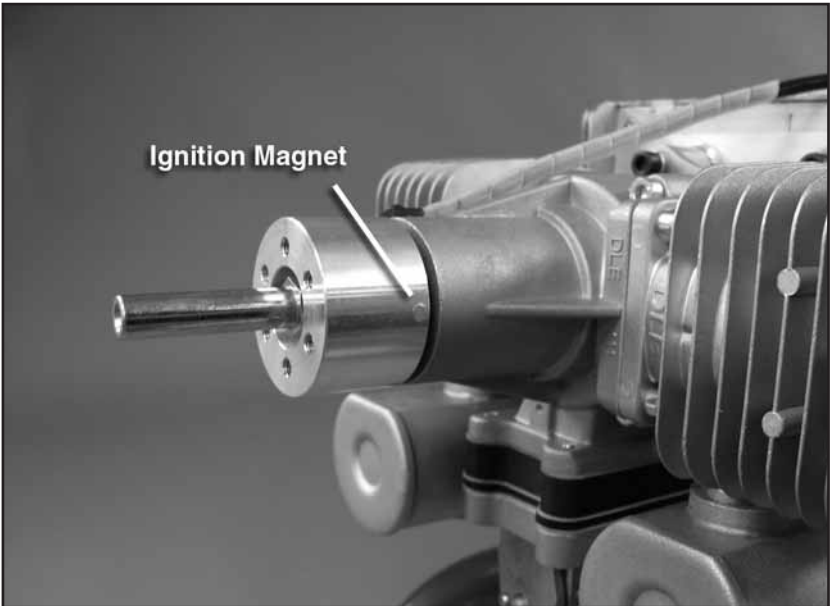
Drilling the Propeller

The easiest way to drill the propeller to fit the hub is to use a drill guide. If you do not have a drill guide, you can use the following method to drill your propellers. Most propellers within the recommended size range have a 0.393" [10mm] center hole pre-drilled. If your propeller has this predrilled hole, move on to step 3. If not, start with step 1.

1. Remove the cowling from the aircraft. Use the included propeller washer to mark the centering hole on the propeller

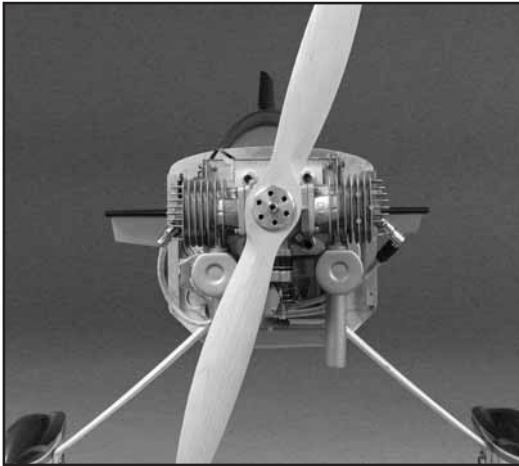


2. Once the location is established, use a drill press with a #5 (.2055" / 5.21mm) drill bit as a pilot hole. Once the pilot hole is established use a 13/32" (.406/10.31 mm) drill bit to finish the hole. In order to achieve a clean opening on both sides of the propeller, drill only half way through the propeller with the finishing drill bit. Then flip the propeller over and drill completely through the hole.

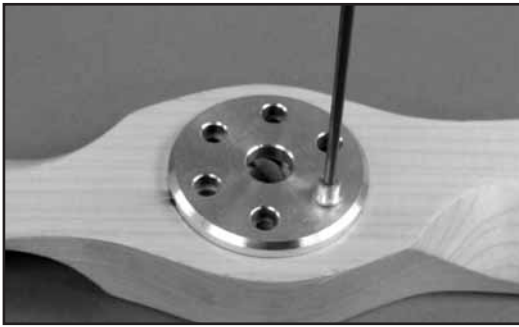


3. Next, set the engine at the beginning of the compression stroke. Note the position of the ignition magnet.

4. Place the propeller on the crankshaft at the one o'clock position.



5. Mark the location of one of the outer holes. Use a GPM Dead Center Hole Locator (GPMR8130) to center and start the hole.



6. Remove the propeller from the engine and drill the outer hole using a #35 drill bit as a pilot hole. Next use a #5 (.2055" / 5.21mm) drill bit to finish the hole. In order to achieve a clean opening on both sides of the propeller, drill only half way through

the propeller with the finishing drill bit. Then flip the propeller over and drill completely through the hole.

7. Use one of the 5x50mm SHCS with 5mm lock washers and flat washers to align the propeller washer on the propeller and use the Dead Center Hole Locator to mark the position of the remaining five holes.

8. Drill the remaining five holes in the propeller.

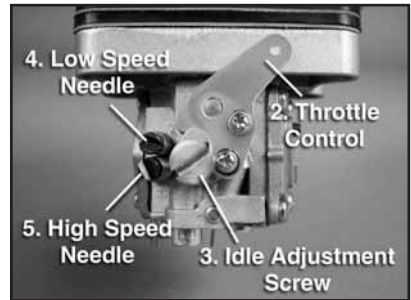
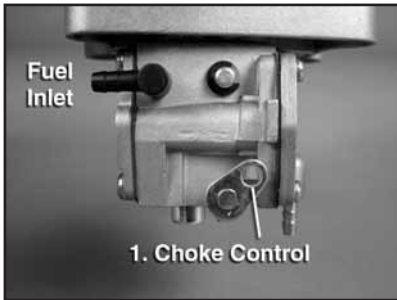
9. Securely mount the propeller to the engine using the 5x50mm SHCS with 5mm lock washers and flat washers. Be sure to use threadlocker.

Adjustment of the Engine

Each DLE has been factory preset. However, higher elevations will influence the performance of the carburetor. To obtain optimum output of the engine, slight adjustment of the carburetor may be necessary.

Functions and Adjustments

1. Choke Control (the choke control is used under the circumstance of cold start-up)
2. Throttle Control
3. Idle Adjustment Screw (adjust the idle speed)
4. (L) Low-speed Needle (adjusts the fuel/air mixture at low speeds)
5. (H) High-speed Needle (adjusts the fuel/air mixture at high speeds)



Idle Adjustment

Turning the Idle Adjustment Screw (No.3) clockwise will increase the idle speed. Turning the Idle Screw counter-clockwise will decrease the idle speed.

Low Speed Needle Adjustment

Turning the Low-speed Needle (No.4) clockwise will lean the fuel/air mixture at low speeds. Turning the Low-speed Needle (No.4) counter-clockwise will richen the fuel/air mixture at low speeds. (The default or factory setting of the Low-speed Needle is as follows: turn the needle to the fully closed position and then open the needle 1.25 turns)

High Speed Needle Adjustment

Turning the High-speed Needle (No.5) clockwise will lean the fuel/air mixture at high speeds. Turning the High-speed Needle (No.5) counter-clockwise will richen the fuel/air mixture at high speeds. (The default or factory setting of the High-speed Needle is as follows: turn the needle to the fully closed position and then open the needle 1.5 turns). It is recommended that the High-speed Needle be adjusted by the use of a tachometer to obtain maximum speed.

Smooth acceleration and deceleration is an indicator of proper engine performance.

Ignition Timing Adjustment

For most applications mount the sensor with the mounting screw centered in the slot. The ignition timing is preset on the DLE-111 at 44° before Top Dead Center (TDC). The ignition timing can be advanced or retarded slightly by loosening the (2) ignition sensor phillips head screws and sliding the sensor to the full extent clockwise (45° advancing the ignition) or counter clockwise (43° retarding the ignition). Be sure to retighten the phillips head screws after adjusting the ignition timing.

Advancing the timing causes combustion to occur earlier resulting in higher performance of the engine. However, advancing the timing also causes higher engine temperatures and can cause premature wear of internal engine components.

Carburetor Adjustment Troubleshooting

Problem:

- If* The engine hesitates when accelerated rapidly.
- or* The rpm increases at idling.
- or* The engine stops when the throttle is moved from high to low.

Solution:

The low-speed needle "L" is too lean. Open it up about 1/8 of a turn and try again.

Problem:

- If* The idle is not steady.

Solution:

The low-speed needle "L" valve is too rich. Close it 1/8 of a turn and try again.

Problem:

- If* Engine stops at full throttle.
- or* Engine hesitates when accelerated rapidly.
- or* The engine will not come up to full rpm at full throttle.

Solution:

The high-speed needle valve "H" is too lean. Open it up 1/8 of a turn and try again.

Problem:

- If* Your engine does not reach full rpm.
- or* Carbon build-ups appear consistently on your spark plug.

Solution:

The high-speed needle valve "H" is too rich. Close it up 1/8 turn and try again.

Starting Procedures

When starting the engine for the first time and during break-in, it's recommended that you run the engine with out the cowling. Also, for safety reasons do not make adjustments to the carburetor during operation.

There are two recommended ways to start the DLE-111:

A. Manual Starting

Note: When hand starting the DLE-111, use a thick glove or heavy duty starter stick to protect your hand.

1. The propeller should be installed on the drive washer so that it is at the one o'clock position and at the beginning of the compression stroke so that it is comfortable to flip it through compression.
2. Have someone help you hold the airplane while you start the engine.
3. Close the choke on the carburetor and open the throttle slightly from the idle position.
4. Switch the ignition to ON.
5. Flip the propeller counter clockwise several times briskly.
6. After you hear some initial firing sounds, move the choke lever to the OPEN position.
7. Set the throttle to a high idle. Set the propeller so that it's at the beginning of the compression stroke
8. Flip the propeller through compression rapidly. If this is done properly, the engine will start after several brisk flips of the propeller.
9. After starting, let the engine idle for 30 to 45 seconds. Open and close the throttle slowly until the engine runs smoothly at idle and at full throttle. Acceleration should also be smooth. If acceleration is not smooth adjustments to the carburetor may be necessary. (See **Adjustment of the Engine** on page 11.)
10. If your engine does not start, repeat steps 1 through 10.

B. Electric Starter Starting

1. A 24 volt electric starter is recommended to start the DLE-111. Make sure you use a good quality, lightweight aluminum spinner.
2. Have someone help you hold the airplane while you start it.
3. Close the choke on the carburetor and open the throttle slightly from the idle position.

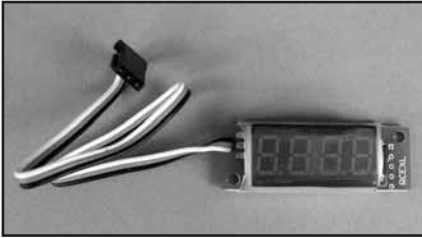
4. Switch the ignition to ON.
5. Turn over till popping sound are heard. Next, open the choke.
6. Use your electric starter to turn over the engine until it starts.
7. After starting, let the engine idle for one to two minutes. Open and close the throttle slowly until the engine runs smoothly at idle and at full throttle. Acceleration should also be smooth. If acceleration is not smooth, adjustments to the carburetor may be necessary. (See **Adjustment of the Engine** on pages 10–12.)
8. If your engine does not start, repeat steps 1 though 7.

Engine Troubleshooting

Symptom	Diagnosis	Fix
Engine does not fire	Ignition battery voltage low	Charge or replace battery
	Battery wires faulty or loose	Replace wires or Re-connect/check connections
	Faulty spark plug or not firing	Replace spark plug or check for spark *
	Engine flooded	Remove plug, disconnect fuel line, rotate prop to remove fuel
Engine starts, then rpm increases till engine cuts out	Fuel not reaching engine	Check for: a) fuel in tank b) fuel tubing cut, blocked, or kinked c) carburetor clogged

* This can be done by removing the spark plug from the cylinder of the engine, inserting the plug into the plug cap and contacting the plug to the outside of the crankcase. Have an assistant turn the engine over while checking this and be sure to have the spark plug firmly plugged into the ignition wire. **Warning:** The high voltage from the ignition can cause bodily harm, especially when checking for spark in this manner.

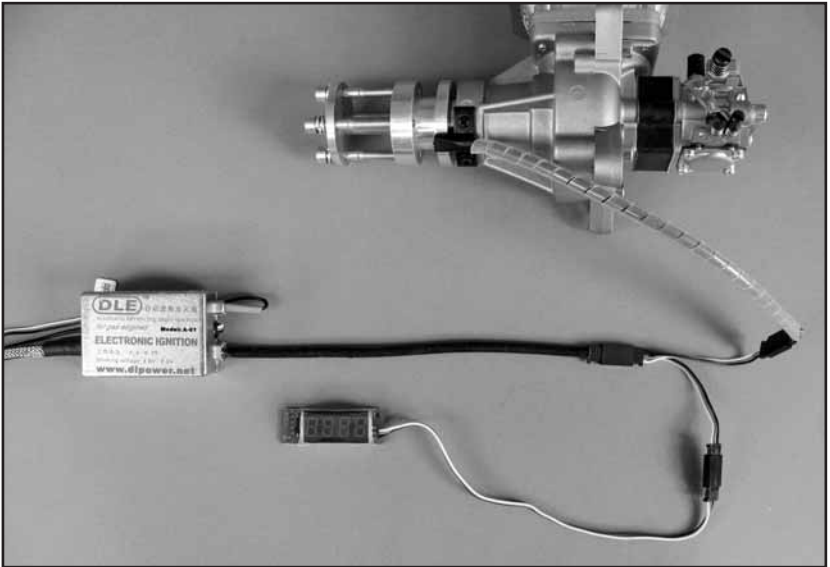
Optional Digital Tachometer



An optional Digital Tachometer is available that can be directly connected to the ignition and display the RPMs of the engine. This unit can be installed on the aircraft or used to spot check the Engine RPMs. Do not

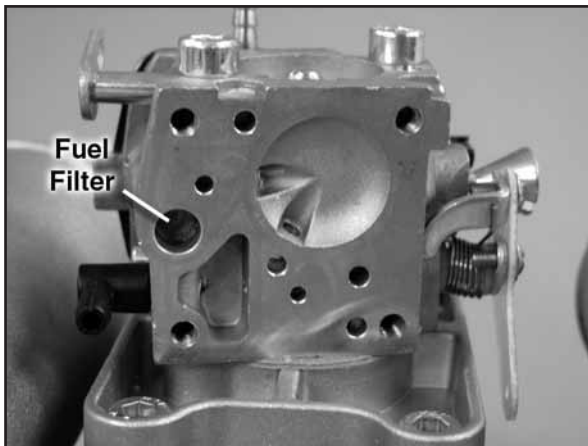
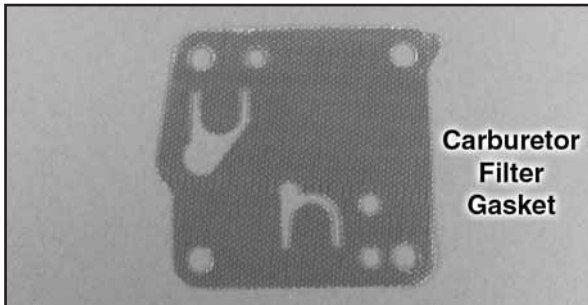
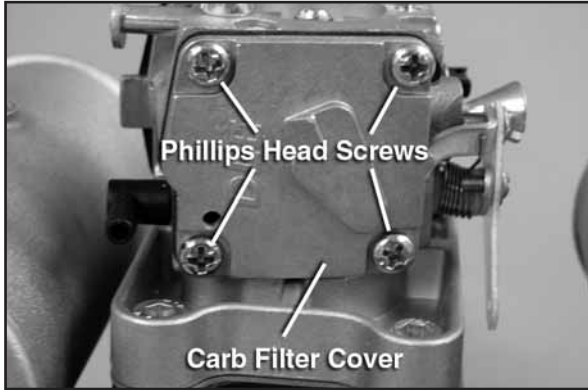
Tachometer while the engine is running.

Many of the DLE Ignition modules have an additional lead to plug into the optional tachometer. If your ignition module does not have this additional lead, the digital tachometer can still be used. Simply use the Y-harness (included with the Digital Tachometer) to connect to the pick-up lead from the engine. Be sure to secure all connections and to secure the Digital Tachometer or leads on the aircraft used.



Engine Maintenance

Please clean the fuel filter in the carburetor periodically. Failure to do so may result in mis-calibration of the needle adjustments. In order to do this it is necessary to remove the four phillips head screws which secure the carb filter cover and the carburetor filter gasket. Use only carburetor cleaner to spray around the opening of the filter.



Warranty Information

The DLE-111 has a two year limited warranty through Hobby Services beginning at date of purchase. Please retain your receipt as your proof of purchase.

Contact Us

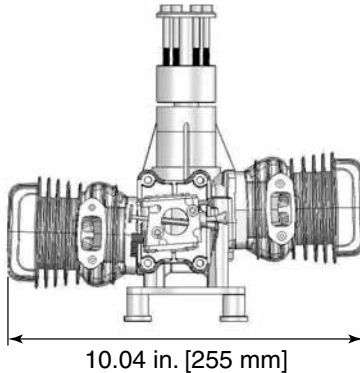
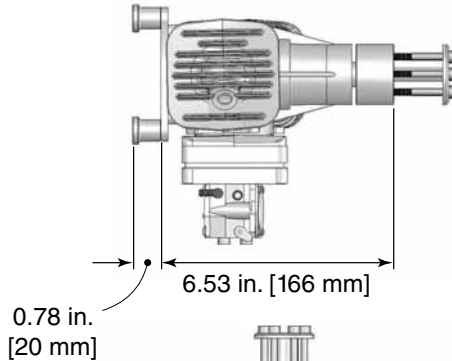
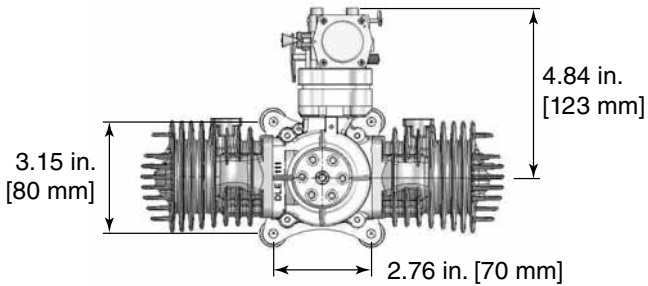
Hobby Services

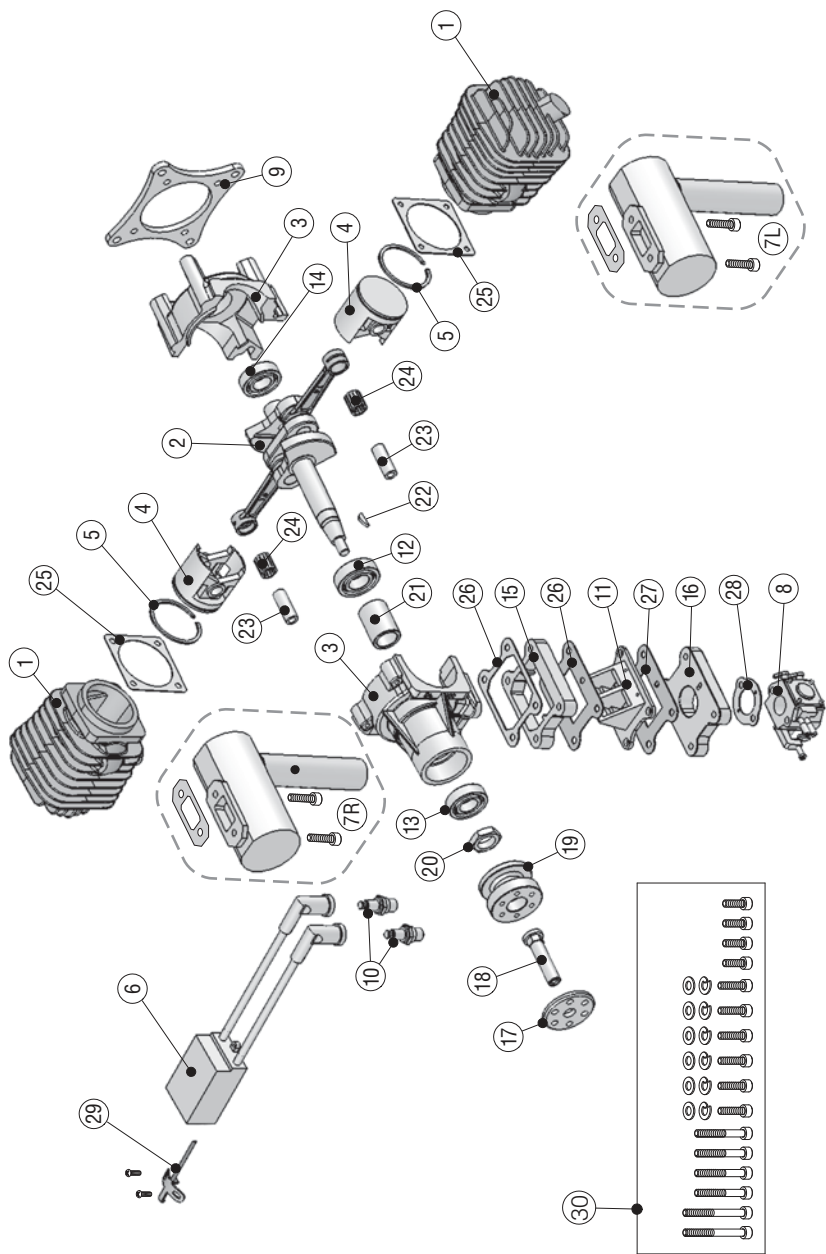
3002 N. Apollo Drive Suite #1
Champaign, IL 61822

Tel: 217-398-8970

Fax: 217-398-7721

E-mail: www.enginesupport@Hobbico.com





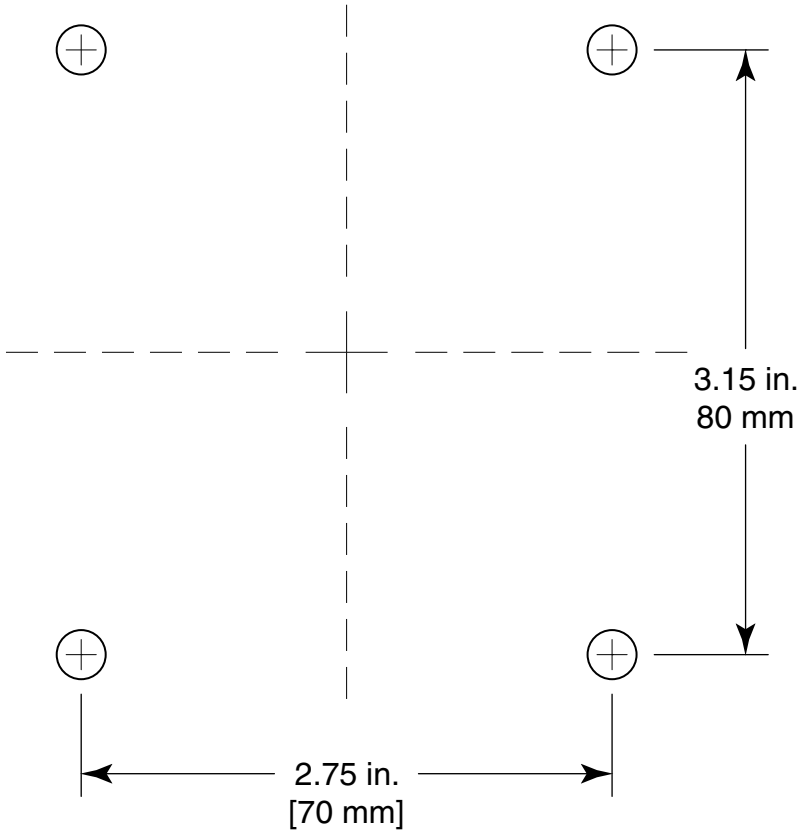
Stock Number/Key Numbers

Stock No.	Key No.	Description
DLEG5501	1	Cylinder
DLEG1102	2	Crankshaft w/Connecting Rods
DLEG1103	3	Crankcase front and rear w/Screws
DLEG5504	4	Piston
	23	Piston Pin w/ Piston Pin Retainers
	24	Needle Bearing
DLEG5505	5	Piston Ring
DLEG1106	6	Electronic Ignition System
DLEG1107	7L	Left Front Muffler w/(2) 5X20MM SHCS and Gasket
DLEG1117	7R	Right Muffler w/(2) 5X20MM SHCS and Gasket
DLEG1108	8	Carburetor Complete
DLEG1109	9	Engine Mount
DLEG5510	10	Spark Plug CM-6
DLEG1111	11	Reed Valve Assembly
DLEG1112	12	Inner Bearing
	13	Front Bearing
	14	Rear Bearing
DLEG1118	15	Carburetor Heat Block
DLEG1116	17	Propeller Washer
	18	Crankshaft Extension
	19	Propeller Hub
	20	Drive Nut
	21	Crankshaft Sleeve
	22	Woodruff Key
DLEG1119	16	Carburetor Base
DLEG1114	25	(2) Cylinder Gaskets
	26	(2) Carburetor Heat Block Gasket
	27	Reed Valve Gasket
	28	Carburetor Gasket, Muffler Gaskets
DLEG1115	30	Screw Set
DLEG1113	29	Ignition Sensor w/Phillips Head Mounting Screws
DLEG5517	24	Needle Bearing
DLEG1120	22	Woodruff Key

Optional Parts (not shown)

DLEG5525	Onboard Digital Tachometer
----------	----------------------------

DLE 111 Mounting Pattern



DLE